



US00D939842S

(12) **United States Design Patent**
Li et al.

(10) **Patent No.:** **US D939,842 S**
(45) **Date of Patent:** **** Jan. 4, 2022**

(54) **MAKE-UP MIRROR**
(71) Applicant: **SHENZHEN ACCOMPANY TECH CO., LTD**, Guangdong (CN)

D897,695 S * 10/2020 Yang D6/309
D918,602 S * 5/2021 Chen D6/309
2021/0244204 A1* 8/2021 Shin A47G 1/02

(72) Inventors: **Ke Li**, Guangdong (CN); **Nianou Wang**, Guangdong (CN); **Shangwen Wang**, Guangdong (CN)

CN 306306326 * 7/2020
CN 306836230 * 5/2021

(73) Assignee: **SHENZHEN ACCOMPANY TECH CO., LTD**, Shenzhen (CN)

FOREIGN PATENT DOCUMENTS

(**) Term: **15 Years**

(21) Appl. No.: **29/764,442**

(22) Filed: **Dec. 30, 2020**

(51) **LOC (13) Cl.** **06-07**

(52) **U.S. Cl.**
USPC **D6/309**

(58) **Field of Classification Search**
USPC D6/300, 301, 302, 303, 304, 307, 308,
D6/309, 310, 311, 312, 313, 314;
D28/64.1-64.7; D16/135
CPC A45D 42/00; A45D 42/10; A45D 42/16;
A45D 42/20; A45D 42/24; A47G 1/00;
A47G 1/02; A47G 1/04; A47G 1/0622;
B60J 3/0282

See application file for complete search history.

(56) **References Cited**

U.S. PATENT DOCUMENTS

D699,952 S * 2/2014 Yang D6/309
D754,446 S * 4/2016 Yang D6/310
D830,070 S * 10/2018 Liu D6/309
D840,699 S * 2/2019 Xie D6/309
D850,125 S * 6/2019 Wang D6/309
D874,161 S * 2/2020 Yang D6/309
D891,792 S * 8/2020 Yang D6/309

OTHER PUBLICATIONS

Amiro Smart Lighted Mirror [online], [site visited Oct. 6, 2021]. Available from internet, URL:<https://www.amazon.com/Jranter-Adjustable-Brightness-Rechargeable-Definition/dp/B08593CFWW/ref=sr_1_3?crid=1YZUF2KFF73TX&dchild=1&keywords=amiro%2Bmirror&qid=1633564924&sprefix=AMIRO%2Caps%2C327&sr=8-3&th=1> (Year: 2020).*

* cited by examiner

Primary Examiner — Cynthia Ramirez
Assistant Examiner — Xavier Marti-Santos
(74) *Attorney, Agent, or Firm* — Ladas & Parry LLP

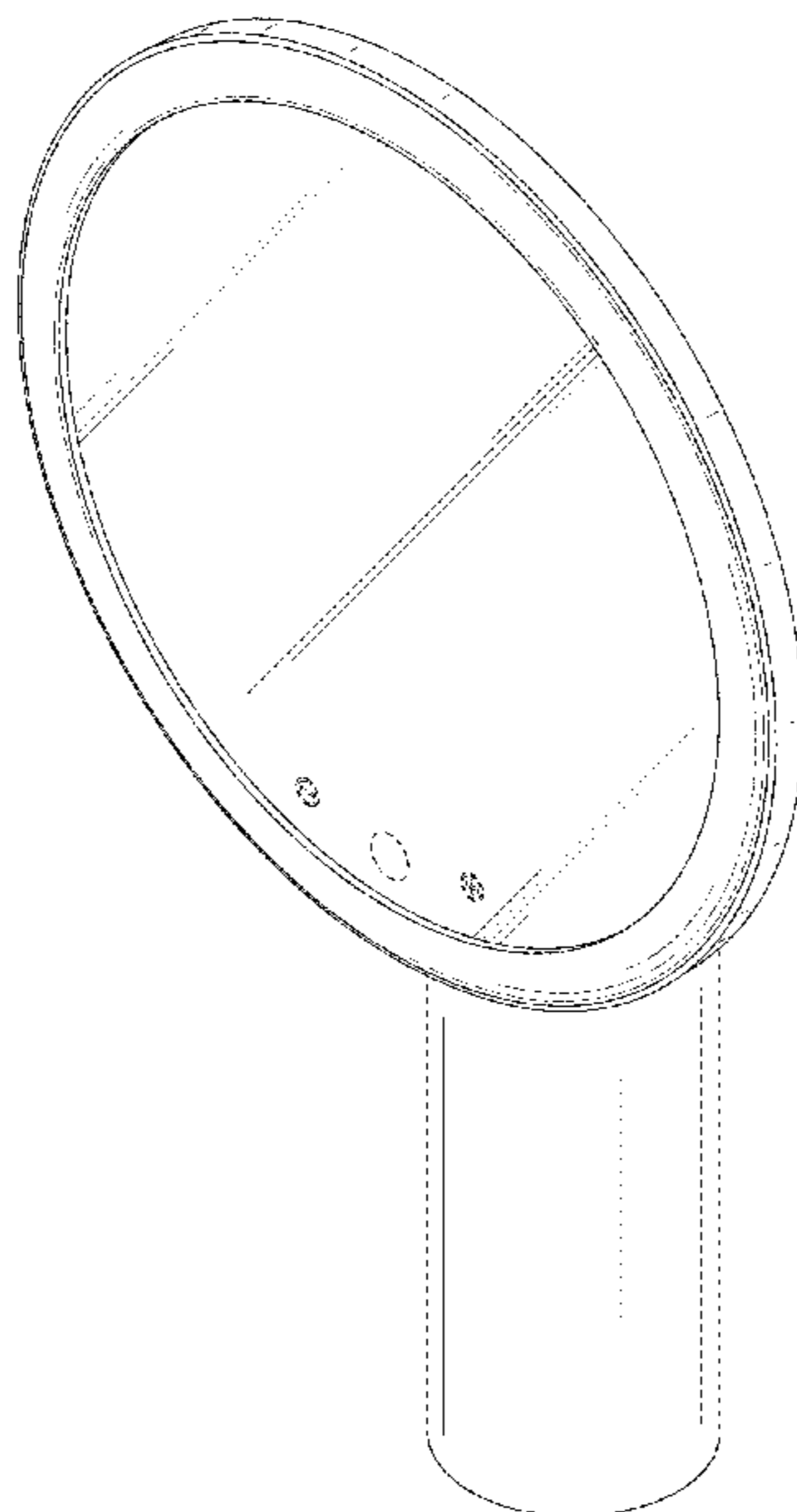
(57) **CLAIM**

The ornamental design for a make-up mirror, as shown and described.

DESCRIPTION

FIG. 1 is a side perspective view of the new design of a make-up mirror;
FIG. 2 is another side perspective view thereof;
FIG. 3 is a front elevation view thereof;
FIG. 4 is a rear elevation view thereof;
FIG. 5 is a left side view thereof;
FIG. 6 is a right side view thereof;
FIG. 7 is a top view thereof; and,
FIG. 8 is a bottom view thereof.
The broken lines show portions of the make-up mirror that form no part of the claimed design.

1 Claim, 8 Drawing Sheets



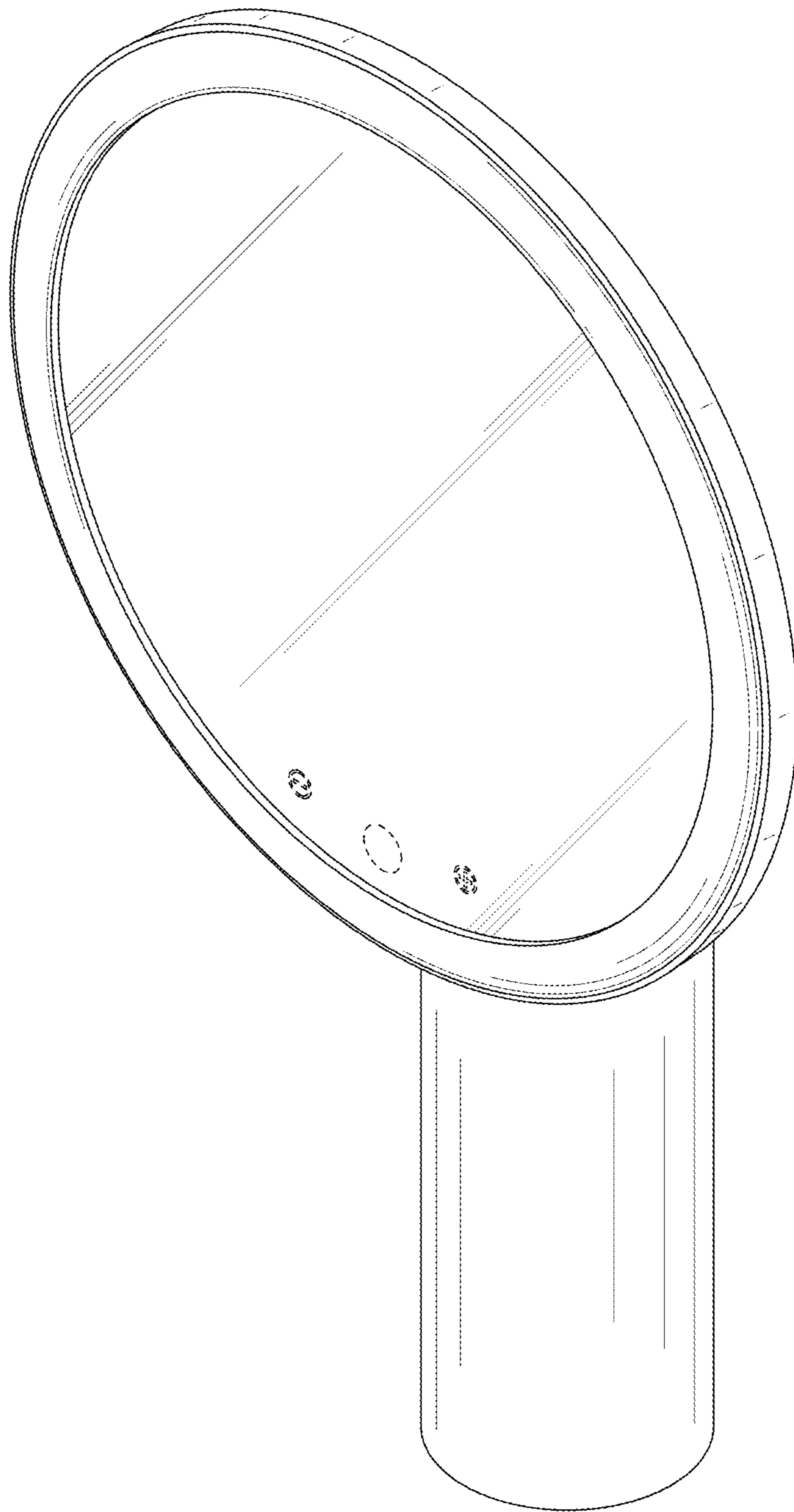


FIG. 1

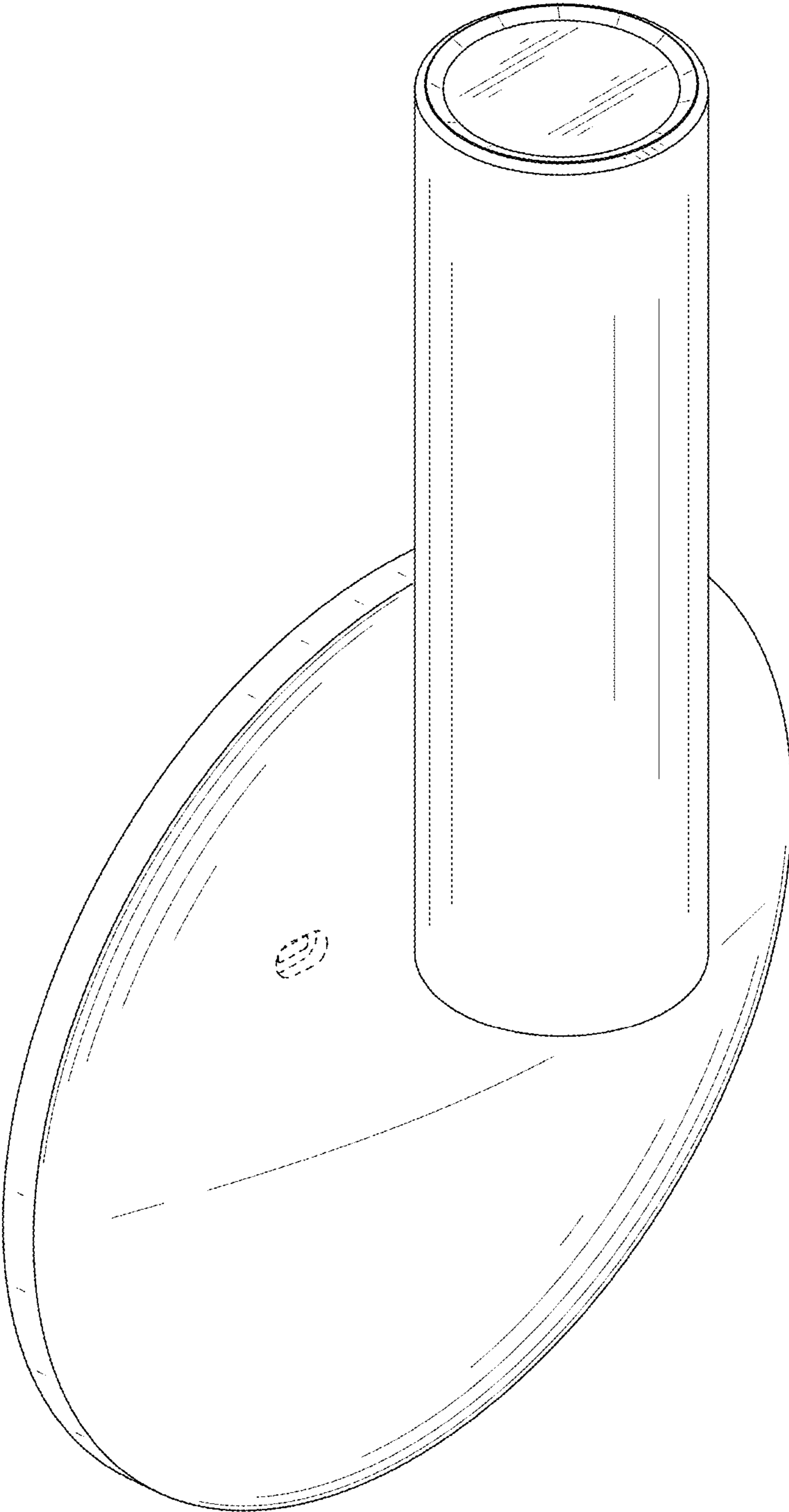


FIG. 2

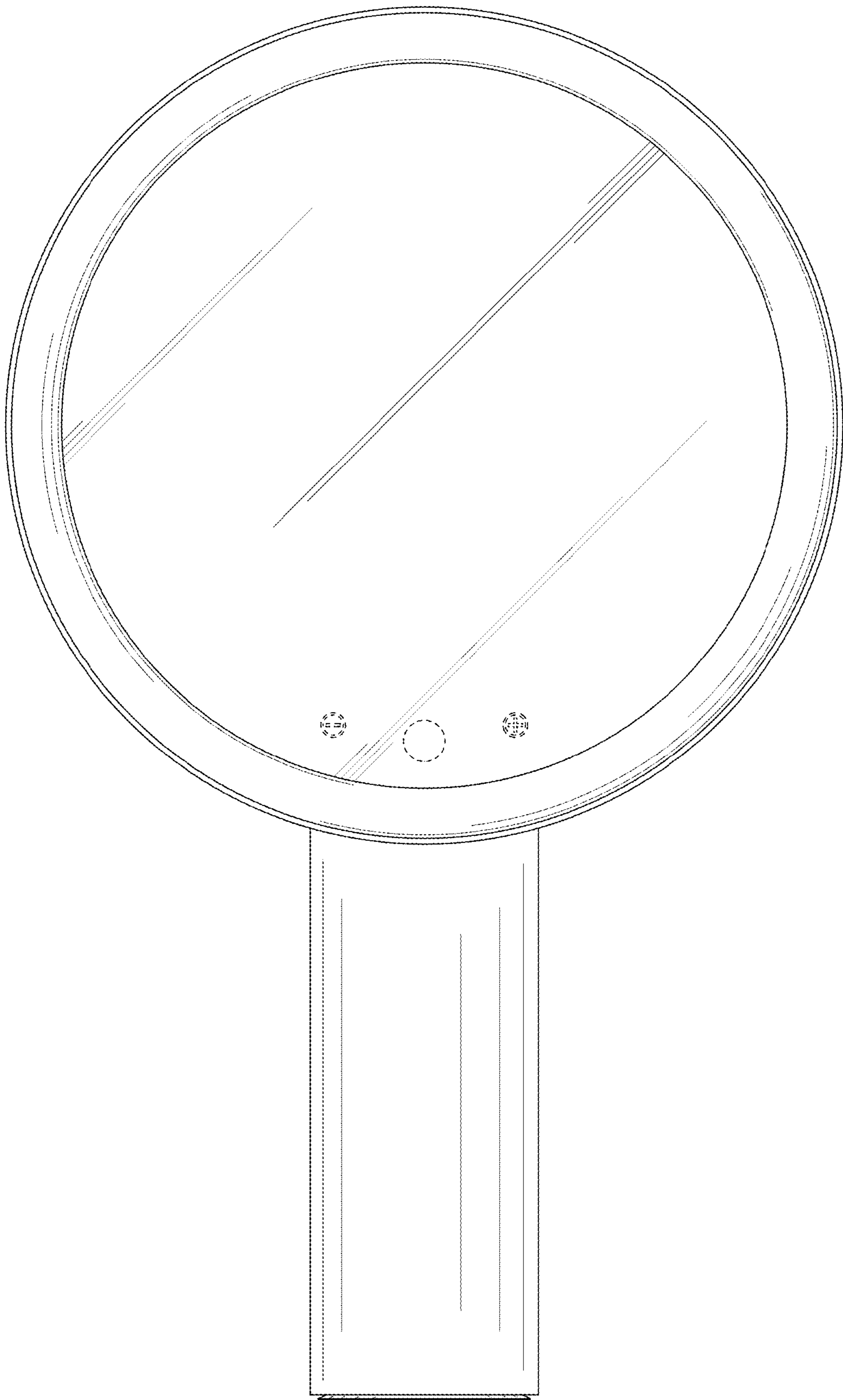


FIG. 3

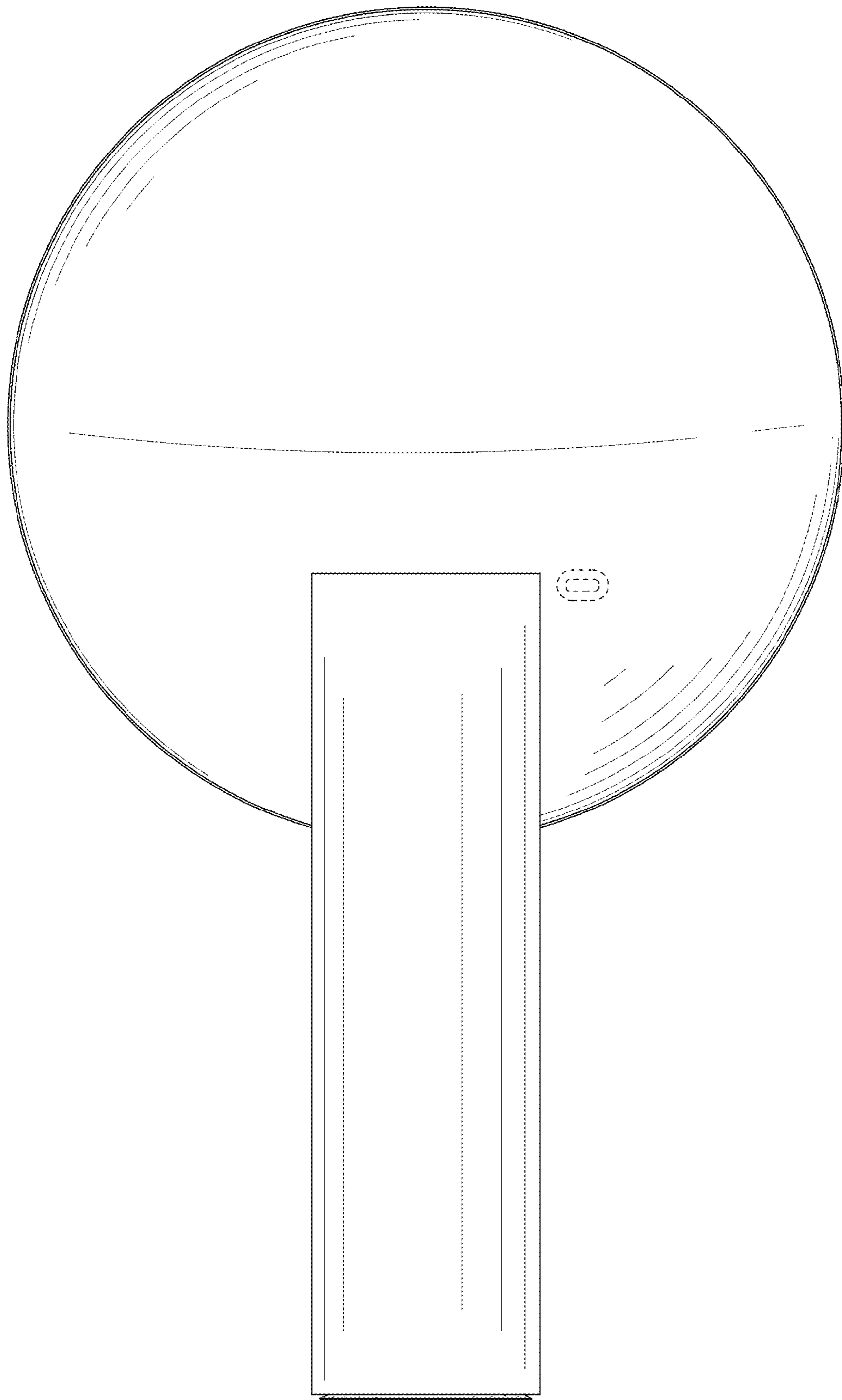


FIG. 4

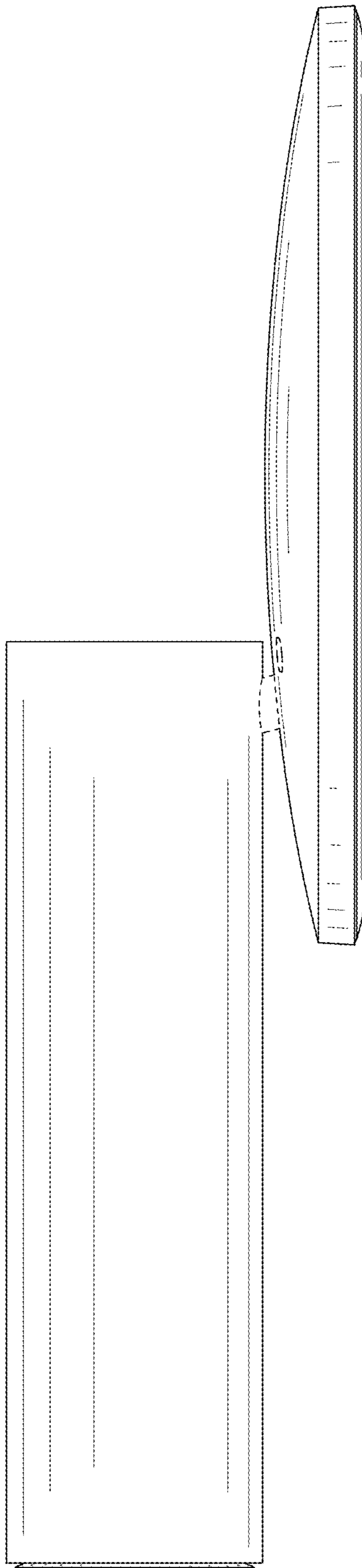


FIG. 5

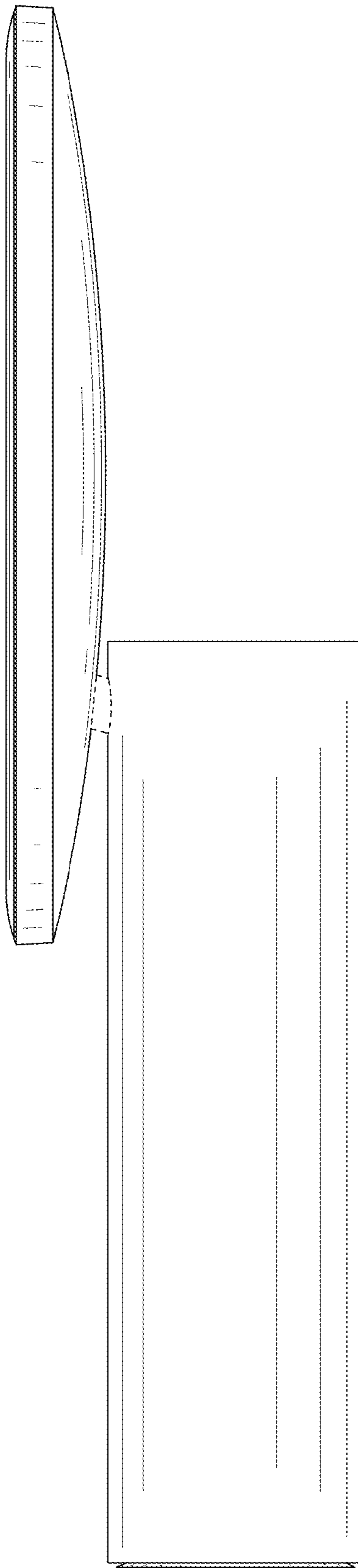


FIG. 6

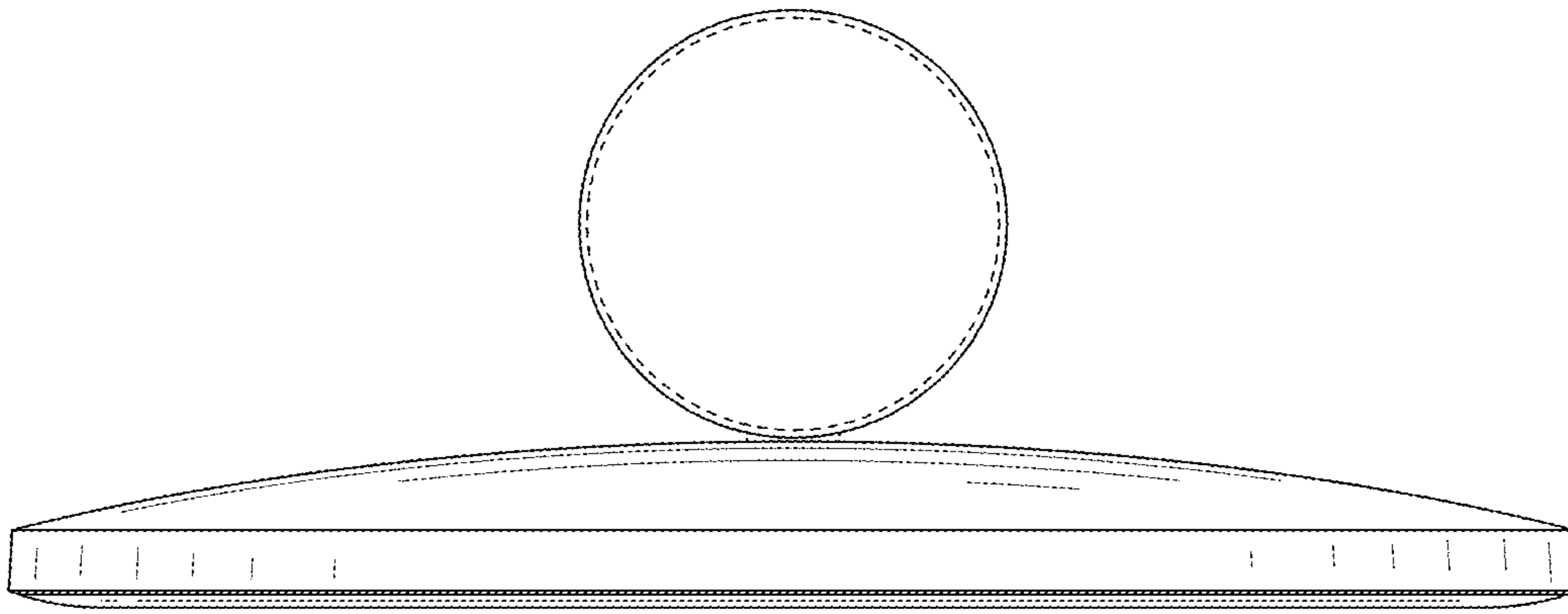


FIG. 7

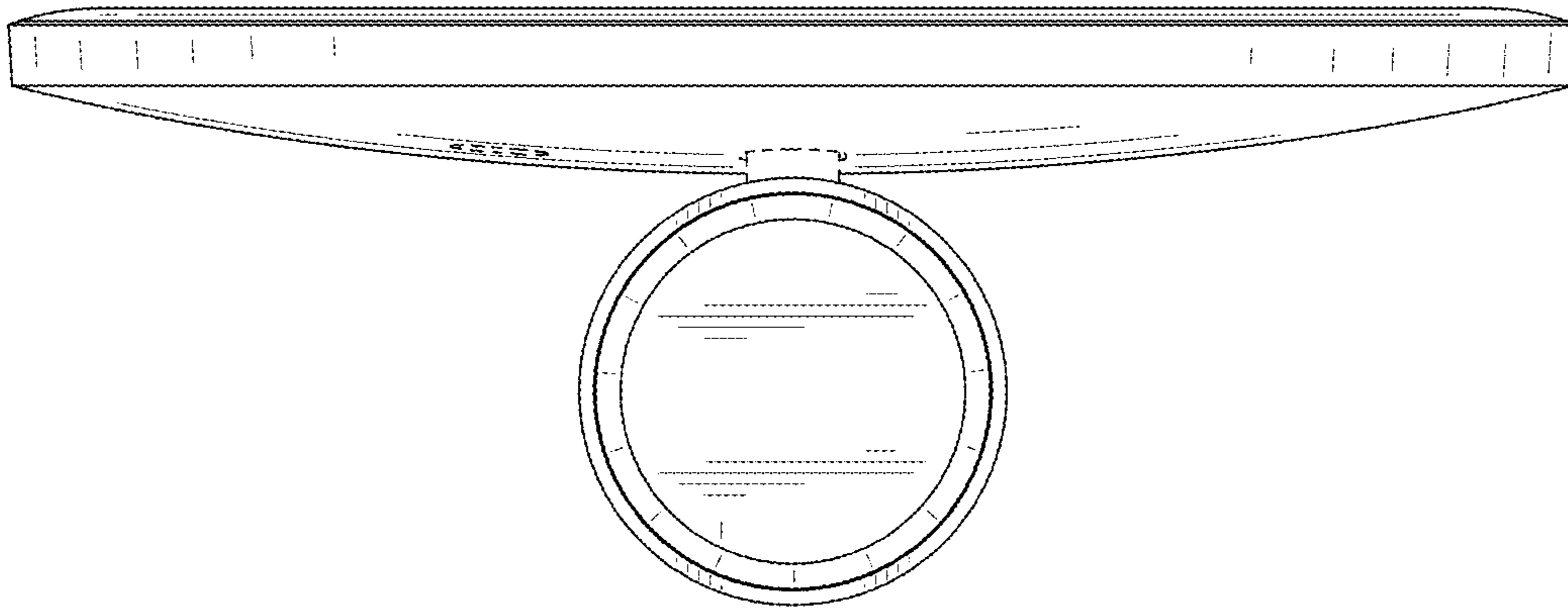


FIG. 8