



US00D939837S

(12) **United States Design Patent** (10) **Patent No.:** **US D939,837 S**
Lee (45) **Date of Patent:** **** Jan. 4, 2022**

(54) **FACIAL CLEANSING DEVICE**
(71) Applicant: **KONINKLIJKE PHILIPS N.V.**,
Eindhoven (NL)
(72) Inventor: **Hyelin Lee**, Amsterdam (NL)
(73) Assignee: **KONINKLIJKE PHILIPS N.V.**,
Eindhoven (NL)
(**) Term: **15 Years**
(21) Appl. No.: **29/717,534**
(22) Filed: **Dec. 18, 2019**

Related U.S. Application Data

(62) Division of application No. 35/505,585, filed on Feb. 28, 2018 (U.S. filing date under 35 U.S.C. 384), and having an international filing date of Feb. 28, 2018, now Pat. No. Des. 871,076.

(30) **Foreign Application Priority Data**

Aug. 31, 2017 (EM) 004172591

(51) **LOC (13) Cl.** **04-99**

(52) **U.S. Cl.**
USPC **D4/132**

(58) **Field of Classification Search**
USPC D4/132, 114, 100-102, 127, 120, 138;
D24/209, 107, 146, 214; D9/504
CPC A46B 13/06; A61B 17/32
See application file for complete search history.

(56) **References Cited**

U.S. PATENT DOCUMENTS

4,841,590 A * 6/1989 Terry A46B 13/06
15/28
D533,353 S * 12/2006 Daubenspeck D4/114

D538,430 S * 3/2007 Ohta D24/146
D577,814 S * 9/2008 Seki D24/107
D621,949 S * 8/2010 Seki D24/209
D623,949 S * 9/2010 Thronsen D9/504
D660,005 S * 5/2012 Prague D4/114
D721,503 S * 1/2015 De Klein D4/102
D728,241 S * 5/2015 Helmbold D4/102
D741,601 S * 10/2015 Helmbold D4/102
D743,174 S * 11/2015 von Berg D4/102
D749,325 S * 2/2016 Middendorp D4/102
D750,893 S * 3/2016 Owen D4/100
D768,391 S * 10/2016 Kling D4/127
D771,389 S * 11/2016 Since D4/102
D782,202 S * 3/2017 Machiorlette D4/138
D784,703 S * 4/2017 Grabes D4/102
D816,345 S * 5/2018 Tai D4/100
D818,272 S * 5/2018 Tai D4/100
D819,976 S * 6/2018 Albers D4/120
D825,188 S * 8/2018 Luo D4/101
D828,034 S * 9/2018 Rybacek D4/102
D828,925 S * 9/2018 Levi D24/214
D835,795 S * 12/2018 Tai D24/214
D840,693 S * 2/2019 Hwang D4/127
D843,732 S * 3/2019 Kling D4/127
D844,996 S * 4/2019 Kymm D4/102
D871,076 S * 12/2019 Lee D4/102

(Continued)

Primary Examiner — Rhea Shields

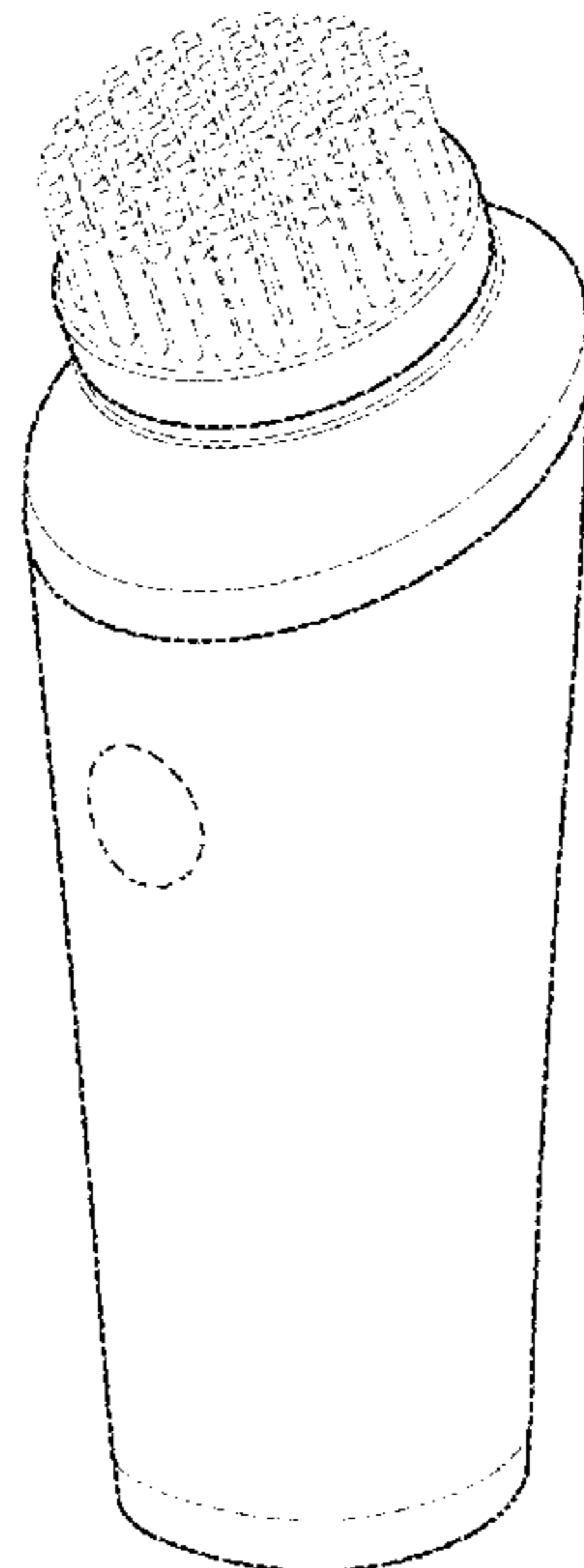
(57) **CLAIM**

The ornamental design for a facial cleansing device, as shown and described.

DESCRIPTION

FIG. 1 is a perspective view showing my design;
FIG. 2 is a front elevational view thereof;
FIG. 3 is a rear elevational view thereof;
FIG. 4 is a right side elevational view thereof;
FIG. 5 is a left side elevational view thereof;
FIG. 6 is a top plan view thereof; and,
FIG. 7 is a bottom plan view thereof.

1 Claim, 4 Drawing Sheets



(56)

References Cited

U.S. PATENT DOCUMENTS

D888,436 S *	6/2020	Komai	D4/127
D893,886 S *	8/2020	Xiong	D4/127
D894,610 S *	9/2020	Albay	D4/101
2014/0202493 A1 *	7/2014	Zelickson	A61B 17/32 134/6

* cited by examiner

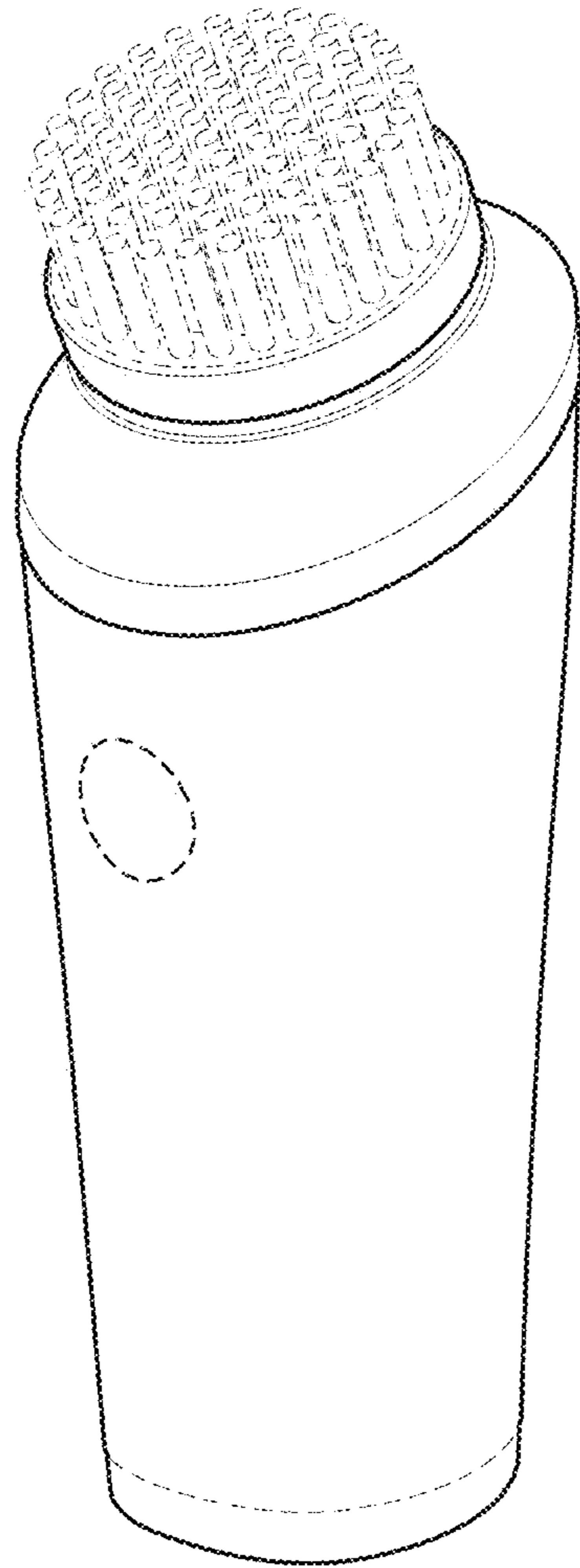


FIG. 1

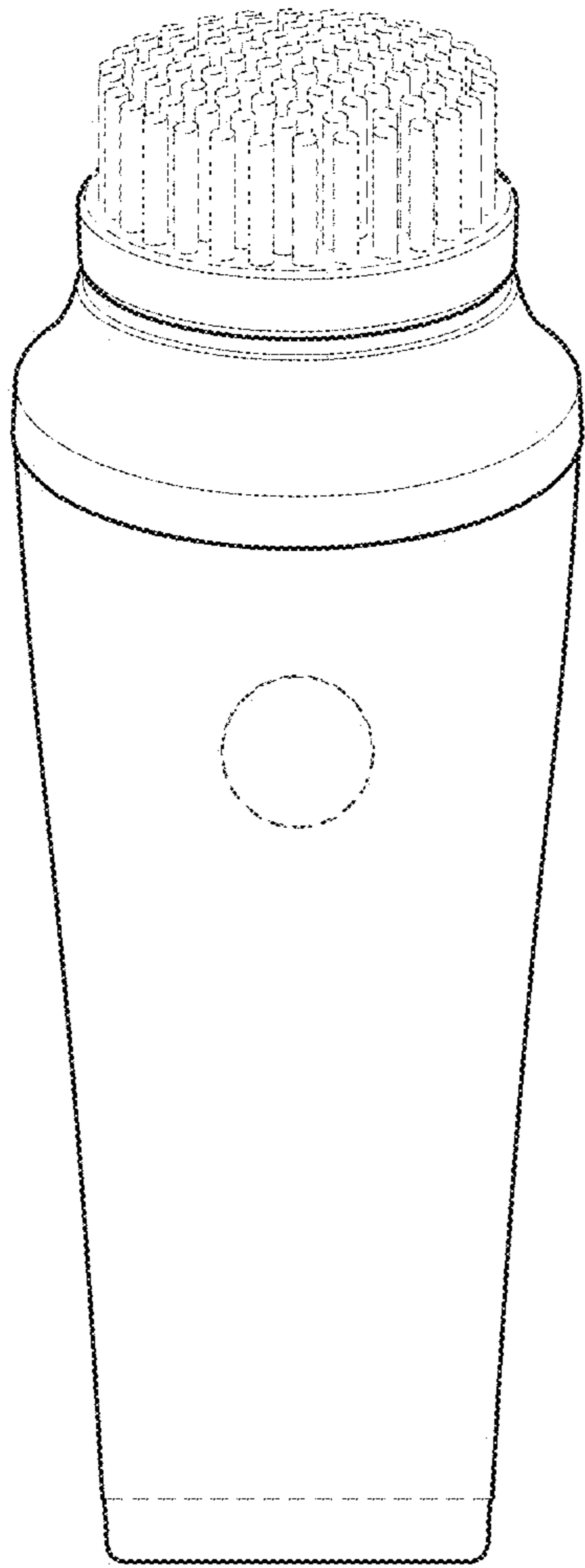


FIG. 2

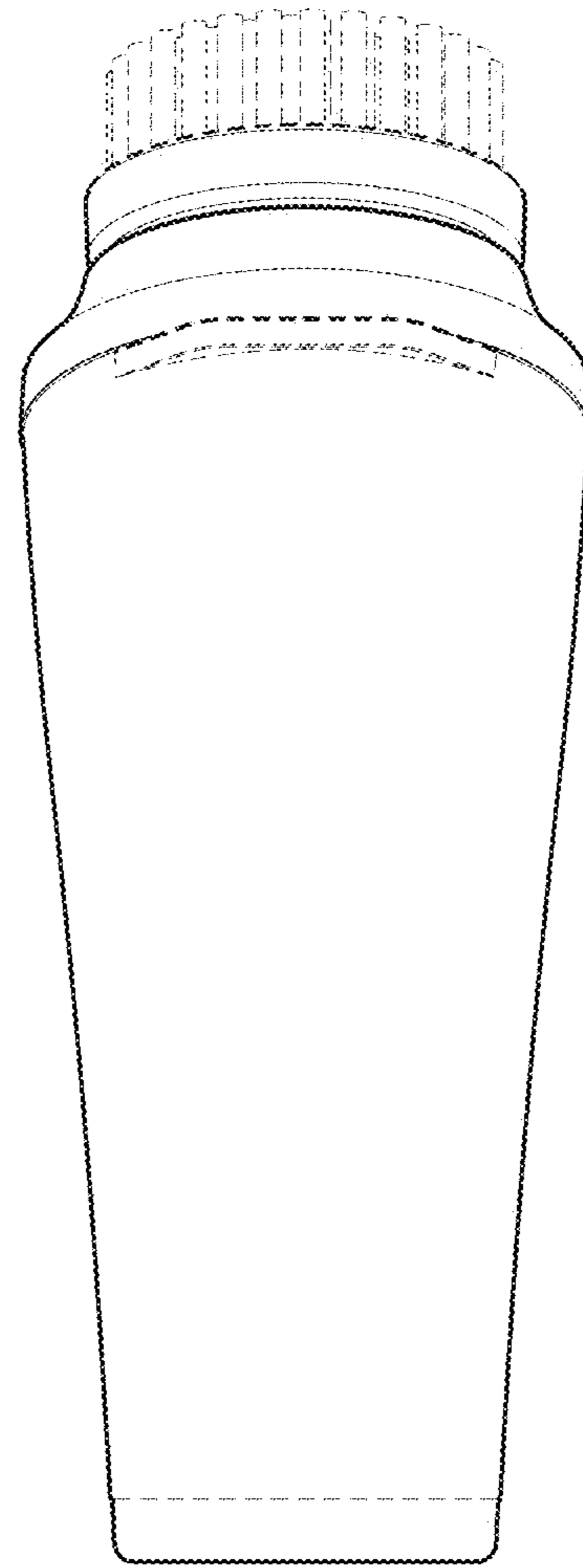


FIG. 3

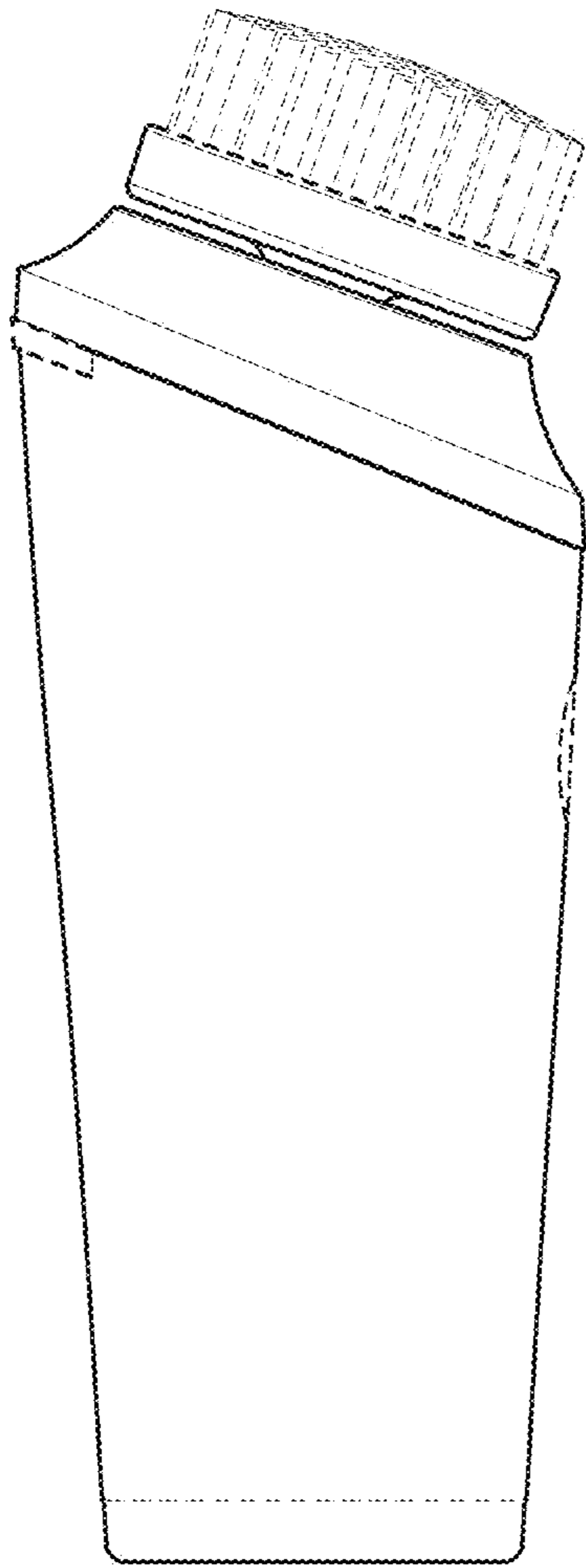


FIG. 4

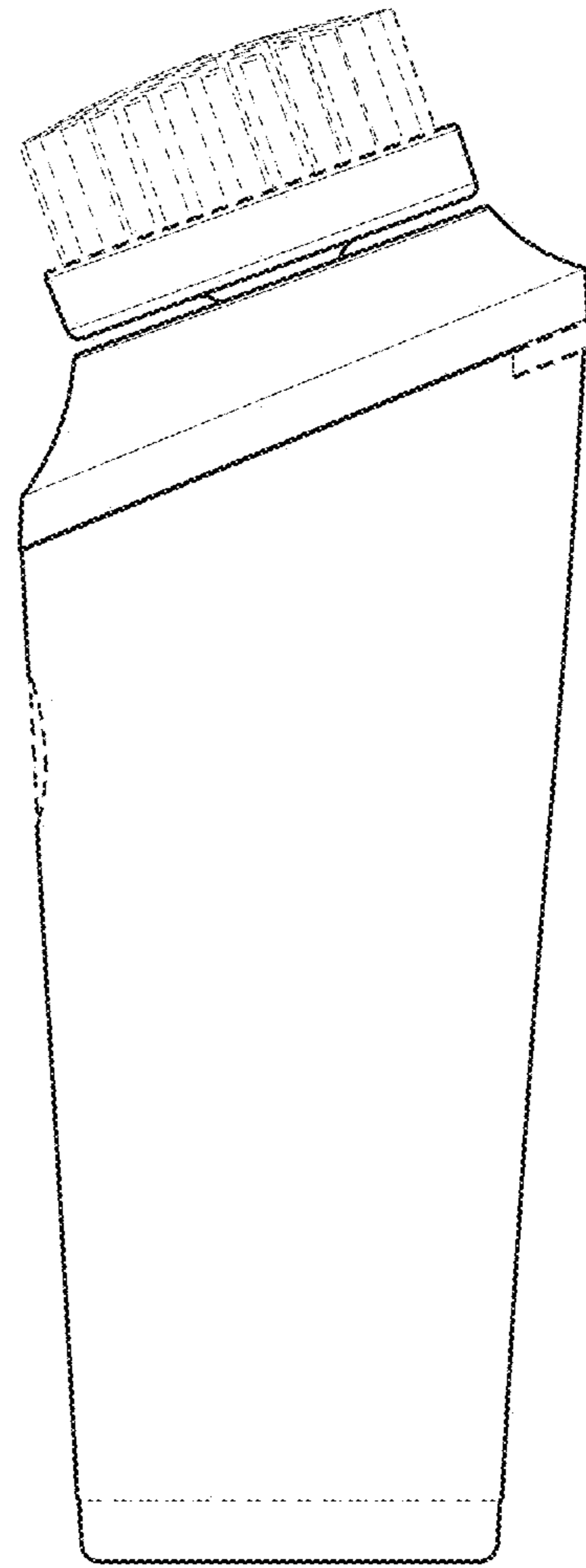


FIG. 5

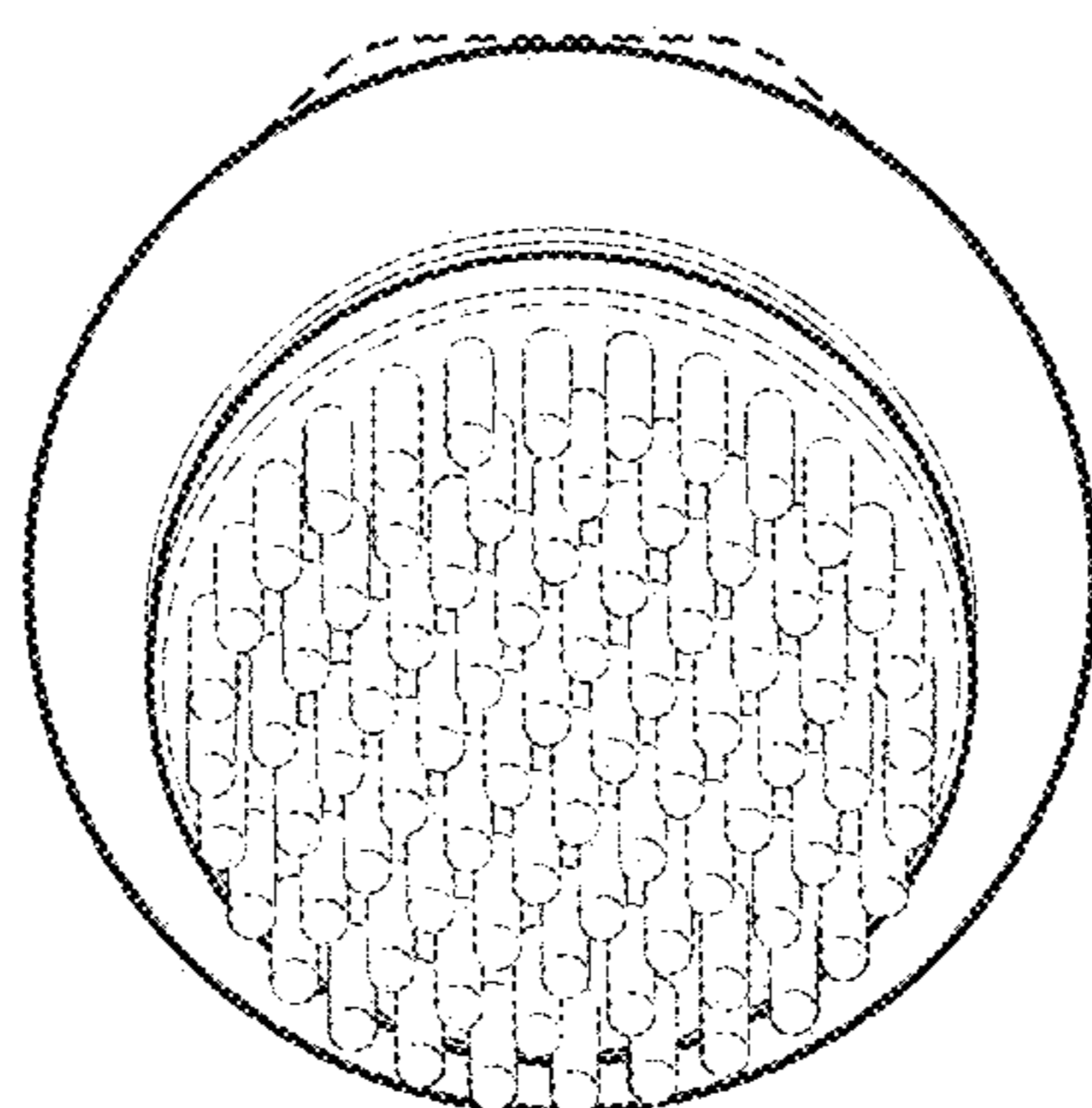


FIG. 6

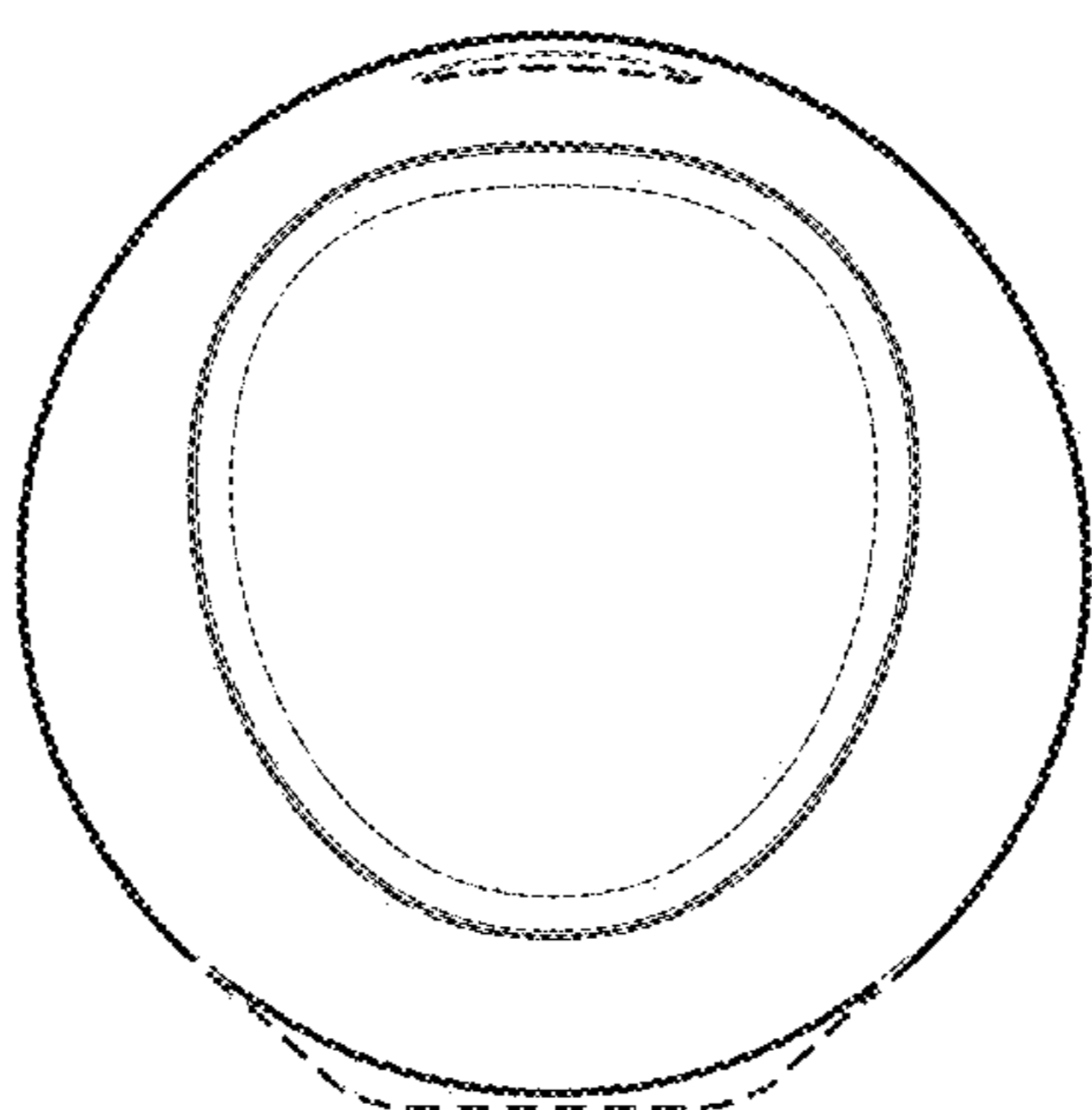


FIG. 7