



US00D939834S

(12) **United States Design Patent** (10) **Patent No.:** **US D939,834 S**  
**Hillebrecht et al.** (45) **Date of Patent:** **\*\* Jan. 4, 2022**

(54) **BEAUTY TOOL PADDLE HEAD ATTACHMENT**

D889,129 S \* 7/2020 Janowick ..... D4/100  
D889,130 S \* 7/2020 Yuan ..... D4/100  
D895,972 S \* 9/2020 Janowick ..... D4/100  
D899,092 S \* 10/2020 Hillebrecht ..... D4/100  
D906,677 S \* 1/2021 Cai ..... D4/100

(Continued)

(71) Applicant: **Helen of Troy Limited**, St. Michael (BB)

(72) Inventors: **Luke Hillebrecht**, El Paso, TX (US); **Jesse Thomas**, El Paso, TX (US)

FOREIGN PATENT DOCUMENTS

(73) Assignee: **Helen of Troy Limited**, St. Michael (BB)

CN 303523715 \* 12/2015  
CN 305063656 \* 3/2019

(Continued)

(\*\*) Term: **15 Years**

OTHER PUBLICATIONS

(21) Appl. No.: **29/703,770**

“Beauty Is Our Addiction,” Revlon Pro Collection One Step Hair Dryer and Styler [online]. Posted Oct. 24, 2015. [Retrieved from the Internet Apr. 6, 2021.] <URL: <http://beautyisouraddiction.blogspot.com/2015/10/revlon-pro-collection-one-step-hair.html>>.\*

(22) Filed: **Aug. 29, 2019**

(51) **LOC (13) Cl.** ..... **28-03**

(52) **U.S. Cl.**

USPC ..... **D4/100**; D28/15; D28/35

(58) **Field of Classification Search**

USPC ..... D4/100, 102, 116, 117, 118, 121, 122, D4/123, 124, 125, 126, 127, 128, 129, D4/130, 132, 133, 134, 135, 136, 138, D4/199; D28/7, 10, 13, 15, 18, 24, 25, D28/26, 28, 35

CPC ..... A46B 9/06; A46B 9/023; A46B 9/028; A46B 5/00; A46B 5/02; A46B 5/0025; A46B 15/003; A46B 2200/104; A46B 15/0087; A46B 15/0089; A45D 20/00; A45D 20/08; A45D 20/48; A45D 20/50; A45D 20/52; A45D 24/007; A45D 2/001; A45D 2/002

See application file for complete search history.

*Primary Examiner* — Angela J Lee

*Assistant Examiner* — Rebekah A Caruso

(74) *Attorney, Agent, or Firm* — Rankin, Hill & Clark LLP

(57) **CLAIM**

The ornamental design for a beauty tool paddle head attachment, as shown and described.

**DESCRIPTION**

FIG. 1 is a perspective view of a beauty tool paddle head attachment;

FIG. 2 is a front elevation view thereof;

FIG. 3 is a rear elevation view thereof;

FIG. 4 is a right side elevation view thereof;

FIG. 5 is a left side elevation view thereof;

FIG. 6 is a top plan view thereof; and,

FIG. 7 is a bottom plan view thereof.

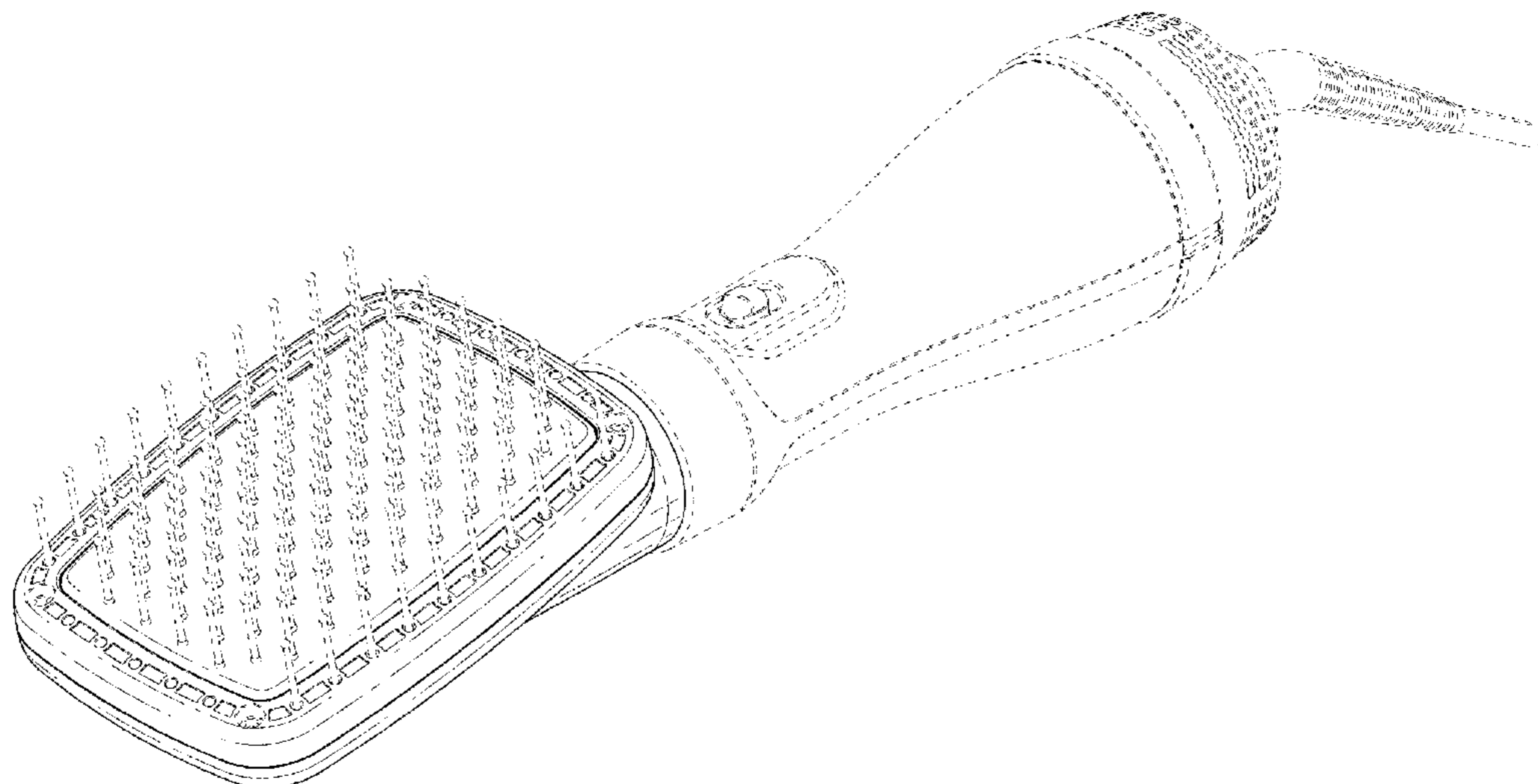
The broken lines in the drawings depict portions of the beauty tool paddle head attachment that form no part of the claimed design.

(56) **References Cited**

U.S. PATENT DOCUMENTS

D641,930 S \* 7/2011 Poletto ..... D28/76  
D775,840 S \* 1/2017 Zastawny ..... D4/138  
D808,658 S \* 1/2018 Sophie ..... D4/100  
D825,929 S \* 8/2018 Julemont ..... D4/100  
D826,567 S \* 8/2018 Yan ..... D4/100  
D838,989 S \* 1/2019 Yan ..... D4/100

**1 Claim, 7 Drawing Sheets**



(56)

**References Cited**

U.S. PATENT DOCUMENTS

D912,404 S \* 3/2021 Delassus ..... D4/100  
D922,773 S \* 6/2021 Zhou ..... D4/100  
2018/0055188 A1\* 3/2018 Potts ..... A45D 20/48  
2018/0153294 A1\* 6/2018 Thomas ..... A45D 19/16  
2019/0045918 A1\* 2/2019 Przirembel ..... A46B 15/0061  
2020/0268136 A1\* 8/2020 Richmond ..... A46B 9/025

FOREIGN PATENT DOCUMENTS

EM 002749671-0001 \* 4/2016  
EM 005818234-0001 \* 12/2018  
JP D1544742 \* 2/2016  
MX 49674-0001 \* 6/2017

\* cited by examiner

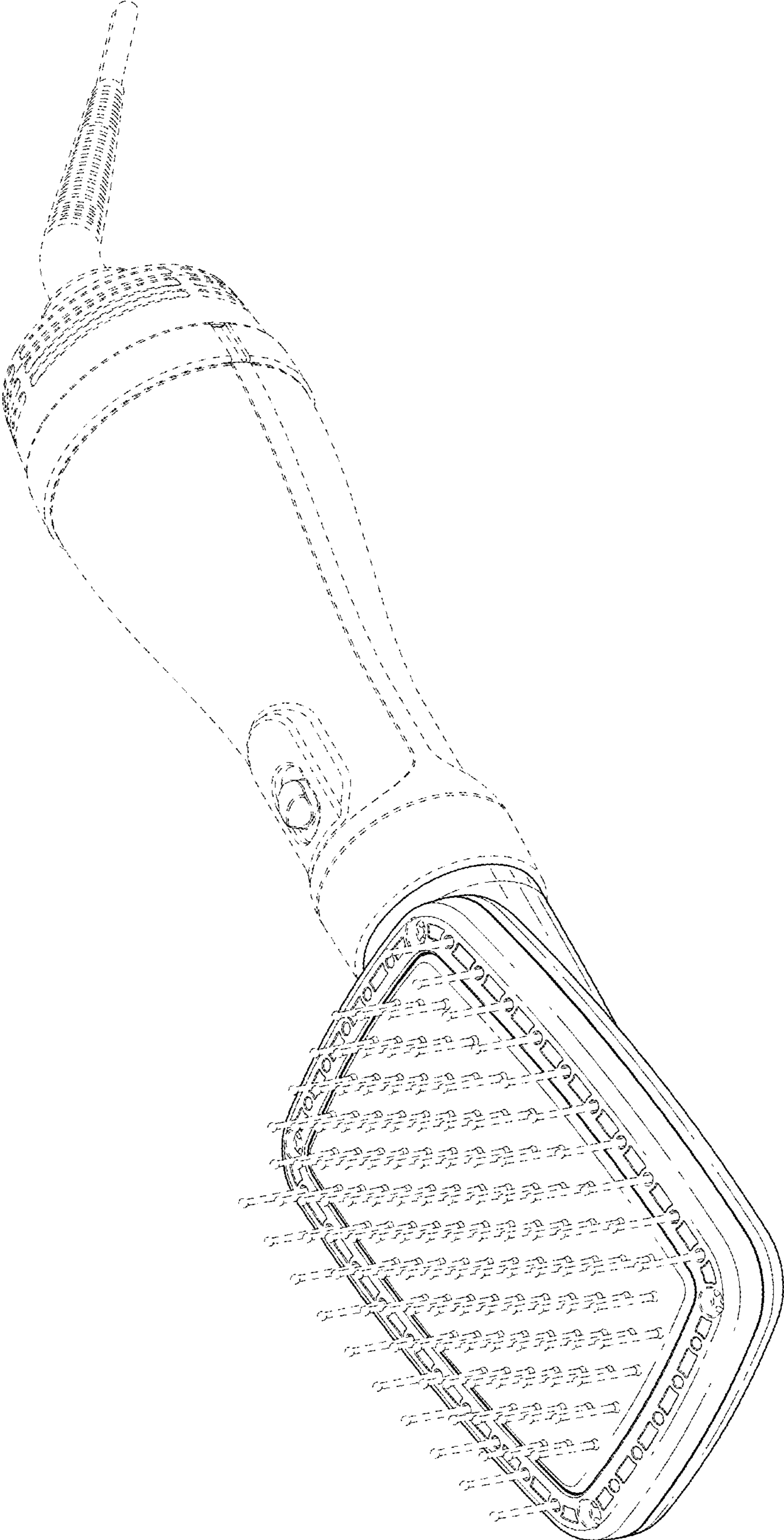


FIG.1

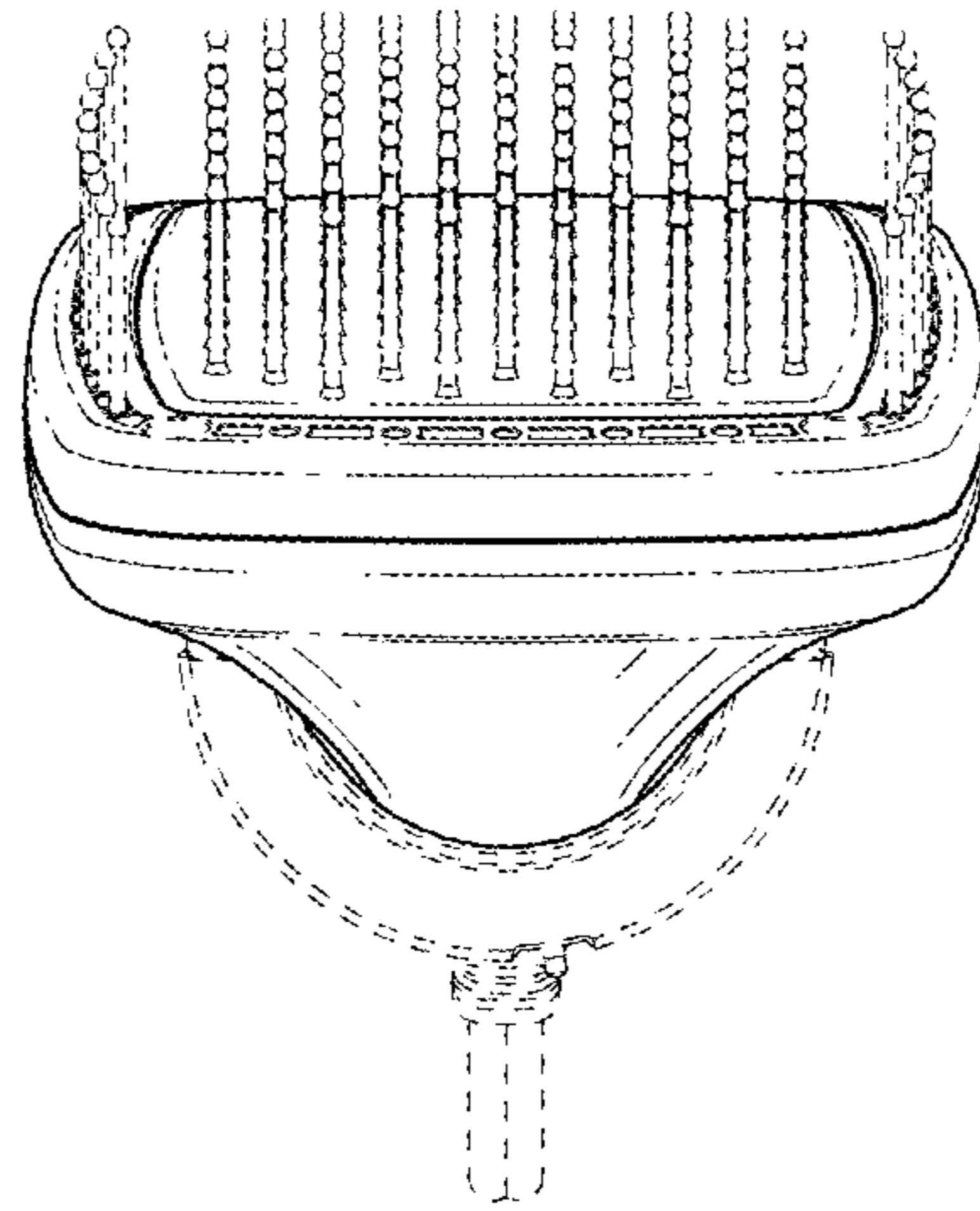


FIG. 2

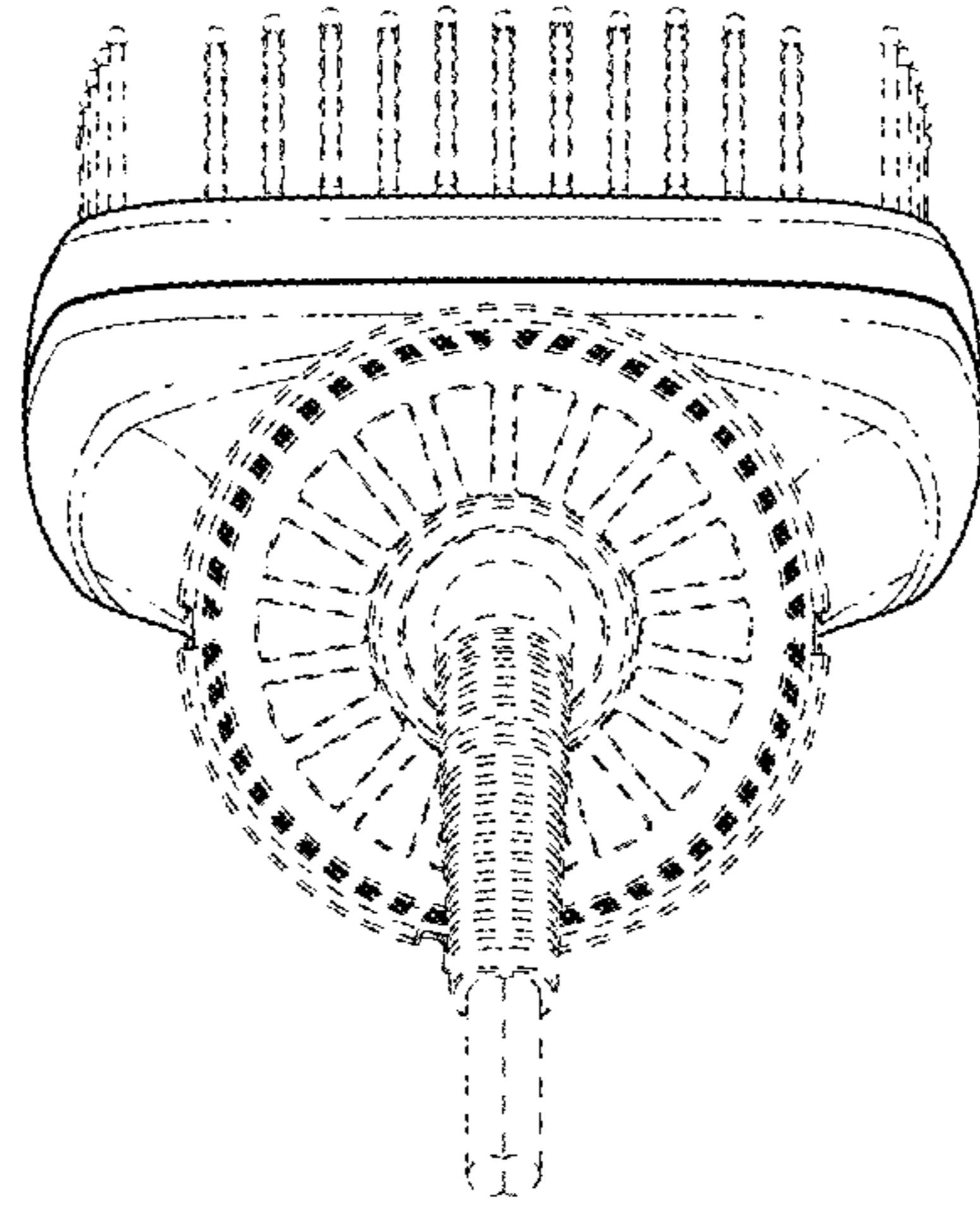


FIG. 3

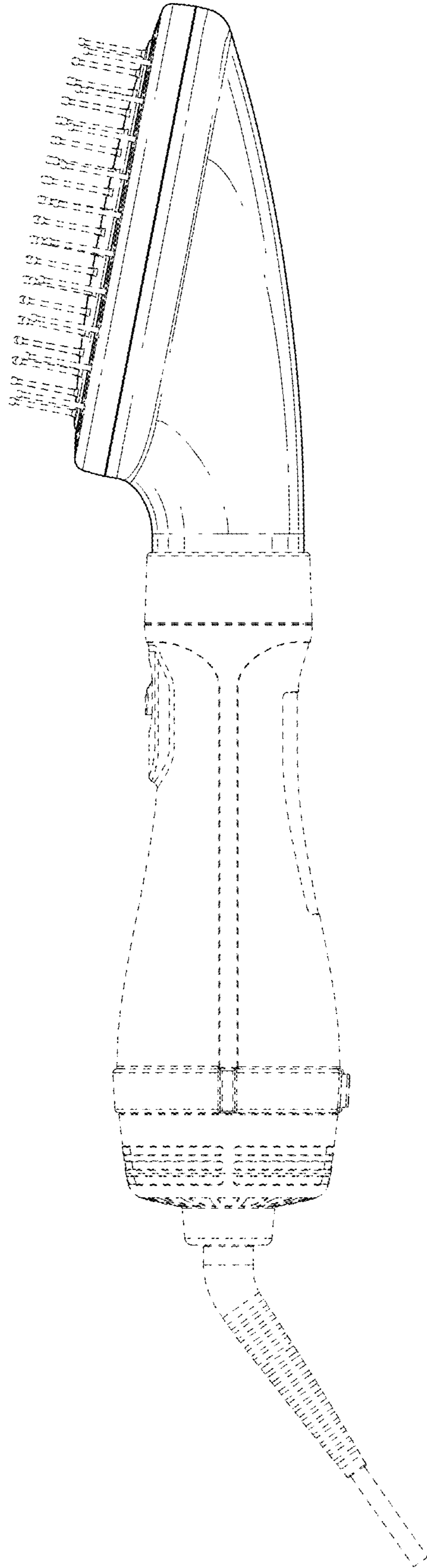


FIG.4

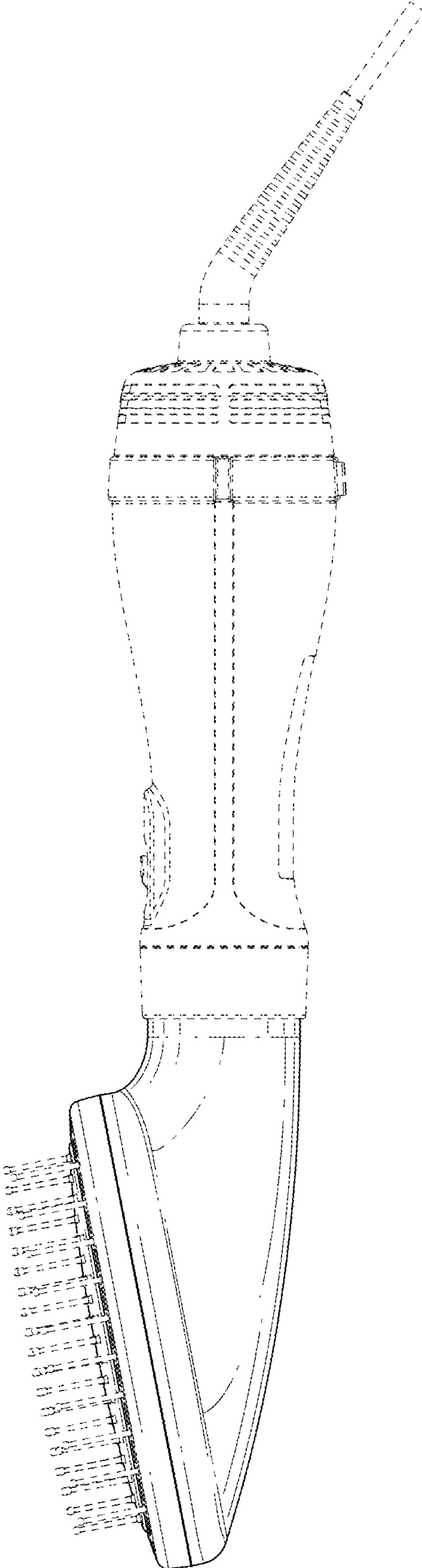


FIG. 5

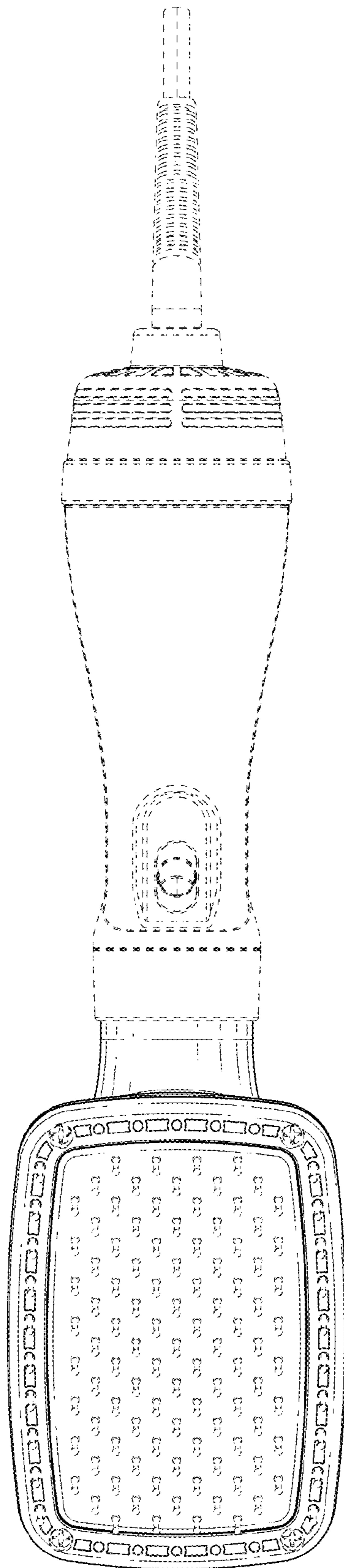


FIG. 6



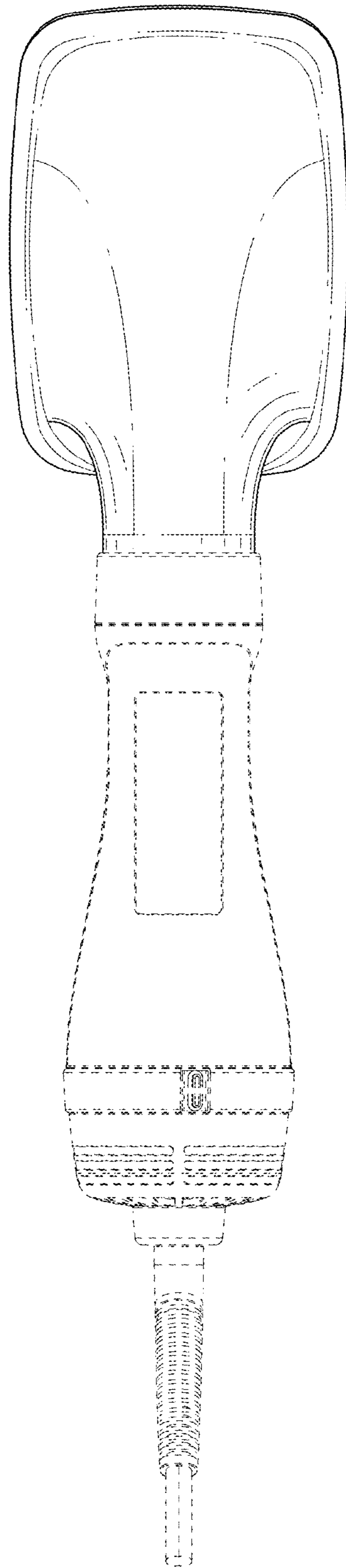


FIG. 7