



US00D939831S

(12) **United States Design Patent** (10) **Patent No.:** **US D939,831 S**
Xu (45) **Date of Patent:** **** Jan. 4, 2022**

(54) **PORTABLE CASE**
(71) Applicant: **SHENZHEN RELX TECHNOLOGY CO., LTD.**, Shenzhen (CN)
(72) Inventor: **Shengyang Xu**, Shenzhen (CN)
(73) Assignee: **SHENZHEN RELX TECHNOLOGY CO., LTD.**, Shenzhen (CN)
(**) Term: **15 Years**
(21) Appl. No.: **29/716,596**
(22) Filed: **Dec. 11, 2019**
(30) **Foreign Application Priority Data**

Aug. 28, 2019 (CN) 201930471303.5
(51) **LOC (13) Cl.** **03-01**
(52) **U.S. Cl.**
USPC **D3/295; D27/186**
(58) **Field of Classification Search**
USPC ... D3/203.1–203.8, 205–206, 215, 219, 226, D3/247, 250–252, 263–266, 273, D3/293–294, 298–299, 301, 303, 315, D3/901, 295–297; D6/515, 517, 534, D6/536; D7/600.1, 600.4, 637; D9/734, D9/759–760; D19/101–103, 106, D19/194–195; D27/172, 180, 183, 186, D27/189–191; D28/73, 76, 85–86, 91
CPC .. A24F 9/16; A24F 13/14; A24F 15/00; A24F 15/12; A24F 15/14; A24F 15/18; A24F 15/20; A24F 23/00; A24F 23/04; A24F 47/002; A24F 47/008; A45C 3/00; A45C 5/00; A45C 5/005; A45C 5/04; A45C 7/00; A45C 9/00; A45C 11/00; A45C 11/008; A45C 11/04; A45C 11/16; A45C 11/24; A45C 11/26; A45C 11/34; A45C 11/36; A45C 13/002; A45C 2011/007;
(Continued)

(56) **References Cited**
U.S. PATENT DOCUMENTS
D285,128 S * 8/1986 Yuen D28/77
5,004,106 A * 4/1991 Blumstock A45C 11/24
206/581
(Continued)

FOREIGN PATENT DOCUMENTS
CN 305277934 * 7/2019
CN 305682587 * 4/2020

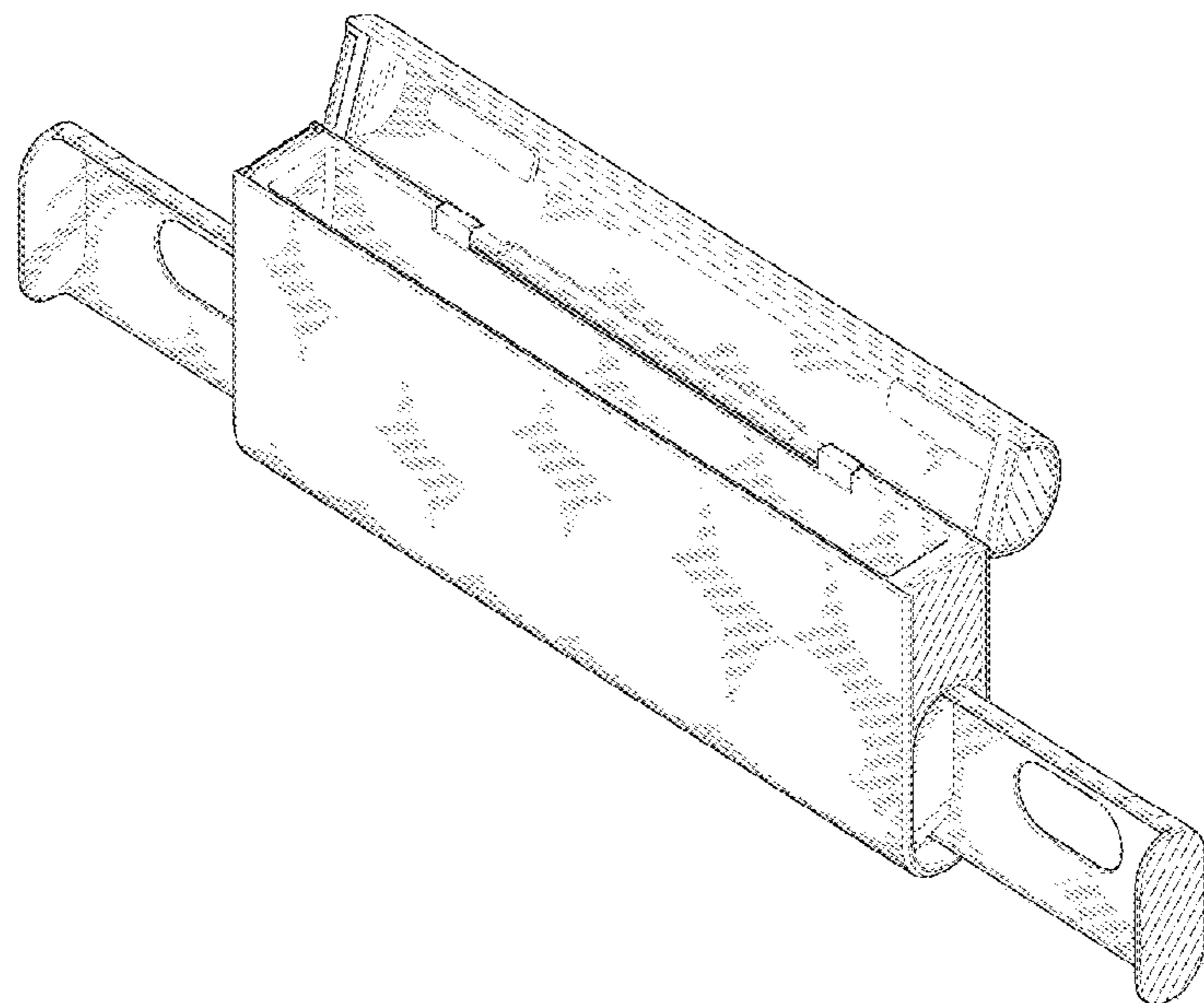
OTHER PUBLICATIONS
Typhon Charging Case for RUBI, unknown first available date, kandypens.com [online], [site visited Apr. 28, 2021], Available at internet URL: <https://www.kandypens.com/typhon-charging-case-for-rubi.html> (Year: 2021).
(Continued)

Primary Examiner — Vy N Koenig
Assistant Examiner — Caitlin A Laverty
(74) *Attorney, Agent, or Firm* — Idea Intellectual Limited; Margaret A. Burke; Sam T. Yip

(57) **CLAIM**
The ornamental design for a portable case, as shown and described.

DESCRIPTION
FIG. 1 is a perspective view of a portable case in an open position;
FIG. 2 is a front view thereof;
FIG. 3 is a rear view thereof;
FIG. 4 is a left view thereof;
FIG. 5 is a right view thereof;
FIG. 6 is a top view thereof; and,
FIG. 7 is a bottom view thereof.
The broken lines represent portions of the structure of the portable case that form no part of the claimed design.

1 Claim, 5 Drawing Sheets



(58) **Field of Classification Search**

CPC A45D 33/12; A45D 33/14; A45D 33/22;
 A45D 33/24; A45D 33/26; A45D 33/28;
 A45D 34/00; A45D 34/04; A45D 34/041;
 A45D 34/06; A45D 40/00; A45D 40/18;
 A45D 40/26; A45D 40/261; A45D
 40/262; A45D 44/11; A45D 44/18; A47F
 7/02; A47F 7/021; A61J 1/00; A61J 1/03;
 A61J 7/04; A61J 7/0084; B65D 1/36;
 B65D 43/16; B65D 50/04; B65D 83/04;
 B65D 83/0445; B65D 83/0481; B65D
 85/00; B65D 85/02; B65D 85/10

See application file for complete search history.

(56) **References Cited**

U.S. PATENT DOCUMENTS

5,669,503 A * 9/1997 Robin A61J 7/0084
 206/528
 D453,993 S * 3/2002 Diltoer D3/263
 D468,099 S * 1/2003 Chang D3/273
 D509,656 S * 9/2005 Pangerc D3/273
 D516,812 S * 3/2006 Pangerc D3/294
 D557,497 S * 12/2007 Fedon D3/247
 D693,820 S * 11/2013 Eastwood D14/440
 D775,414 S * 12/2016 Ampolini D27/186

D776,634 S * 1/2017 Lee D14/205
 D805,763 S * 12/2017 Zhang D3/218
 D835,338 S * 12/2018 Oligschlaeger D27/186
 D866,164 S * 11/2019 Chen D3/205
 D870,455 S * 12/2019 Yang D3/226
 D919,283 S * 5/2021 Guo D3/203.3
 D919,565 S * 5/2021 Liu D13/108
 D927,062 S * 8/2021 Partouche A24F 1/30
 D27/186
 D927,179 S * 8/2021 Zhou D3/247
 2013/0056018 A1 * 3/2013 Anderson-Stimson
 A45C 11/008
 132/316
 2016/0081390 A1 * 3/2016 Ackerman A24C 5/40
 206/86
 2016/0101909 A1 * 4/2016 Schennum B65D 43/16
 206/266
 2017/0119044 A1 * 5/2017 Oligschlaeger B65D 25/10
 2020/0115102 A1 * 4/2020 Hawry A61J 7/0069
 2021/0059299 A1 * 3/2021 Xu A45C 13/1069

OTHER PUBLICATIONS

Bacote Slider Top Dugout With One Hitter Pipe (Large or Small),
 unknown first available date, nextbardo.com [online], [site visited
 Apr. 28, 2021], Available at internet URL: [https://nextbardo.com/
 products/bacote-slider-dugout?variant=31493485198](https://nextbardo.com/products/bacote-slider-dugout?variant=31493485198) (Year: 2021).*

* cited by examiner

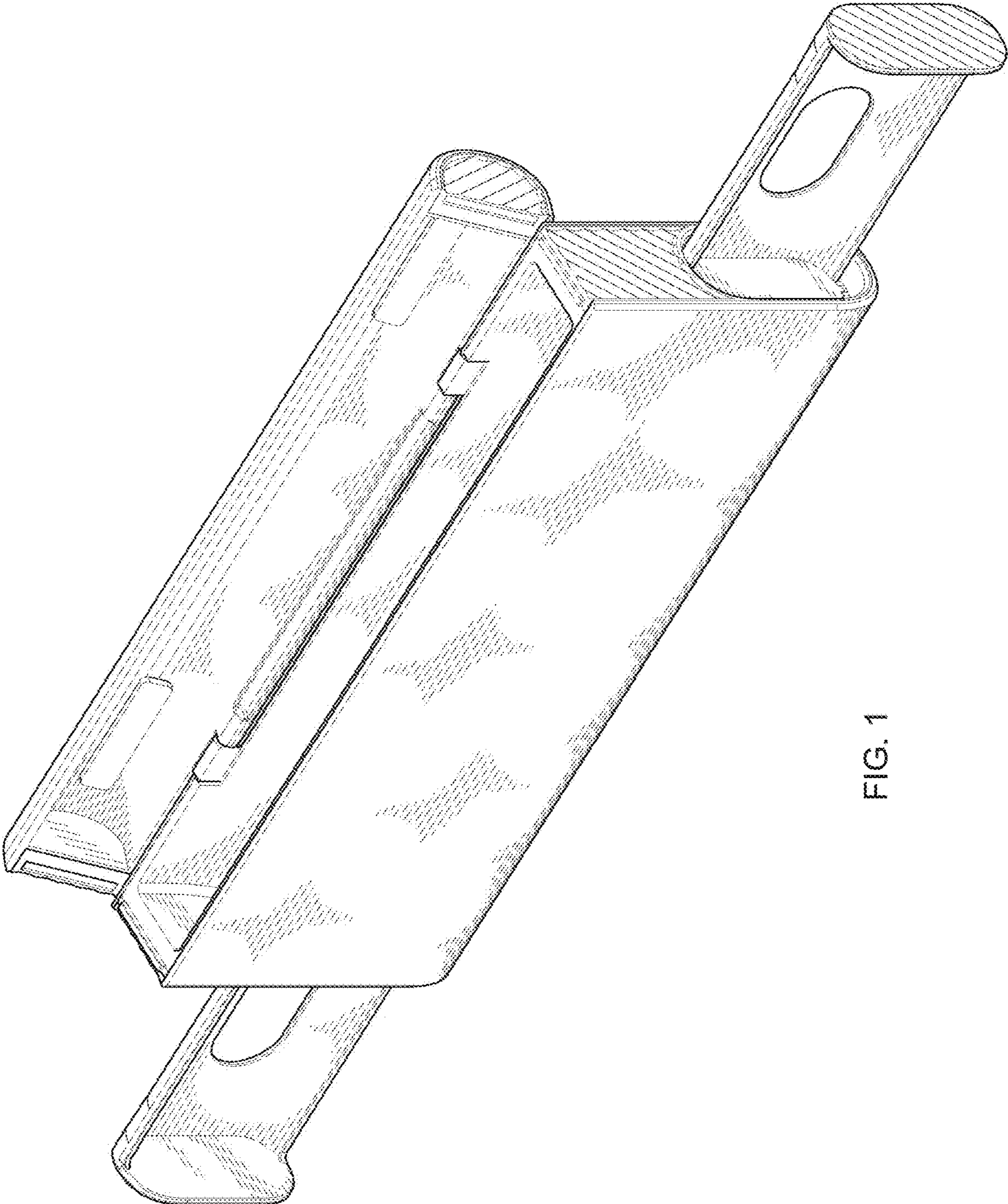


FIG. 1



FIG. 2

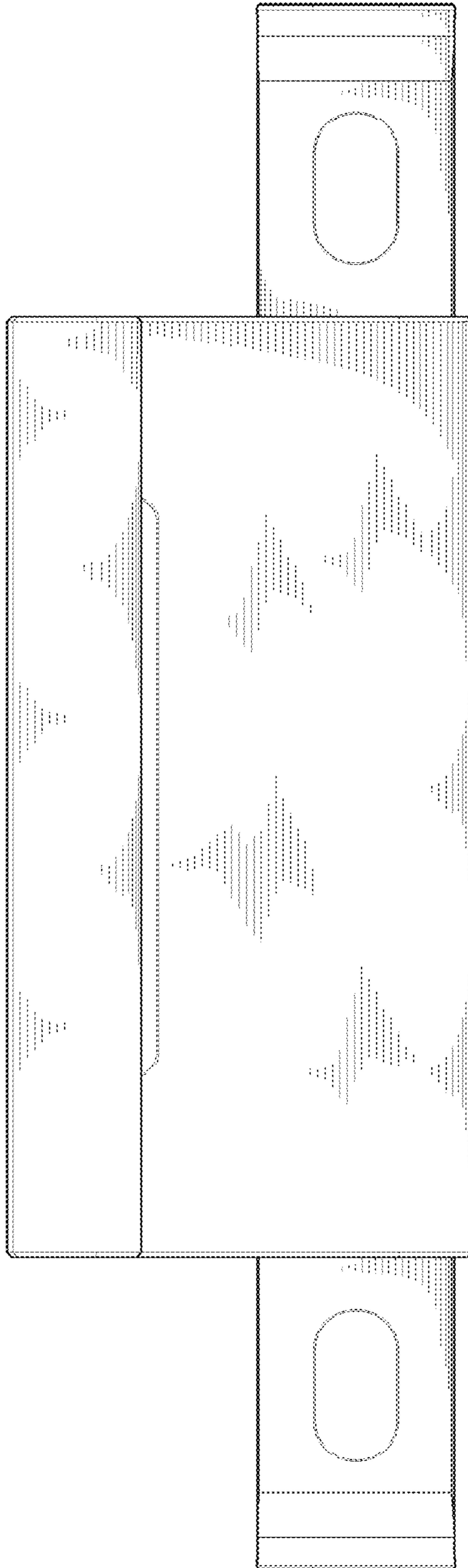


FIG. 3

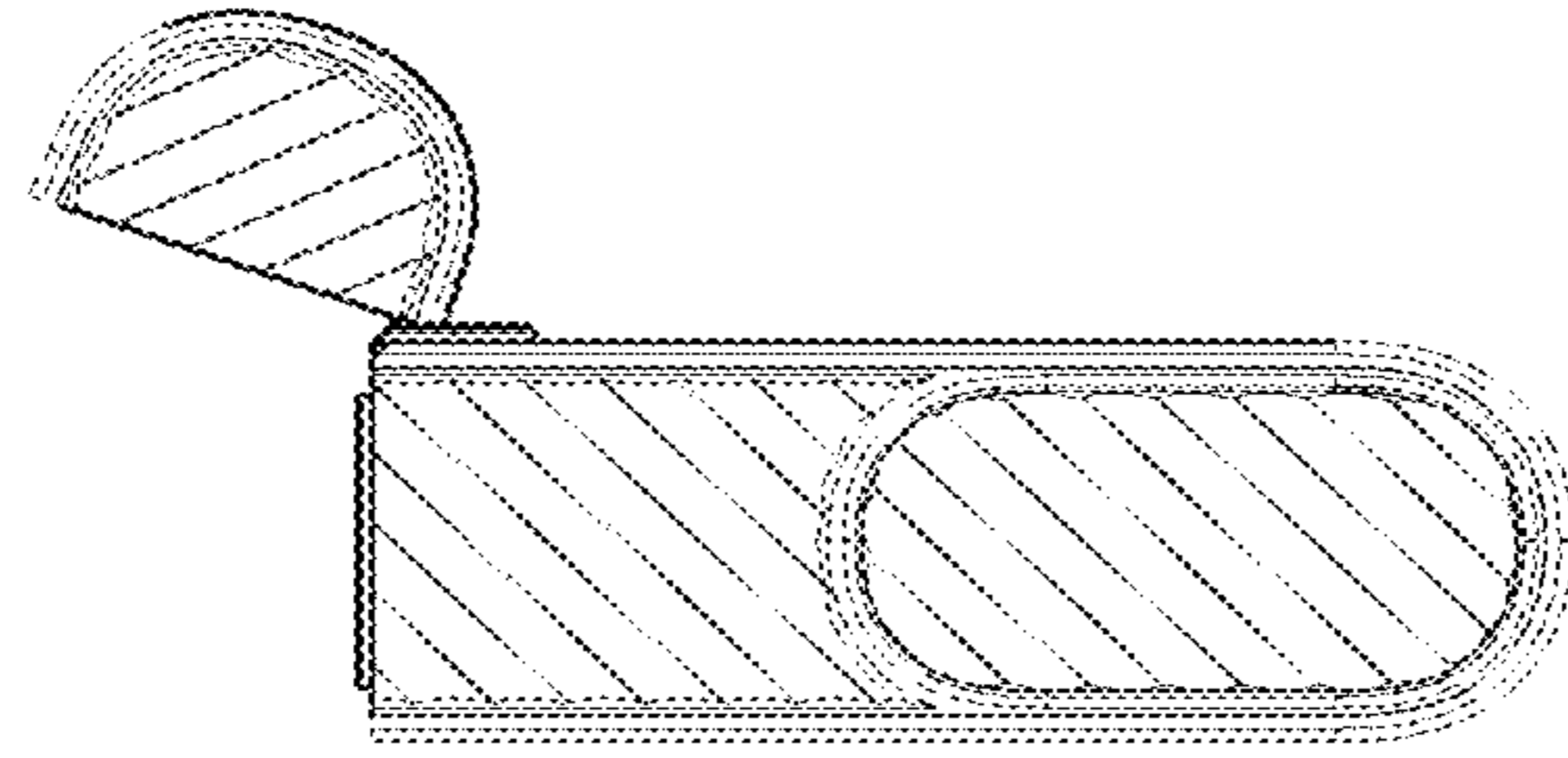


FIG. 5

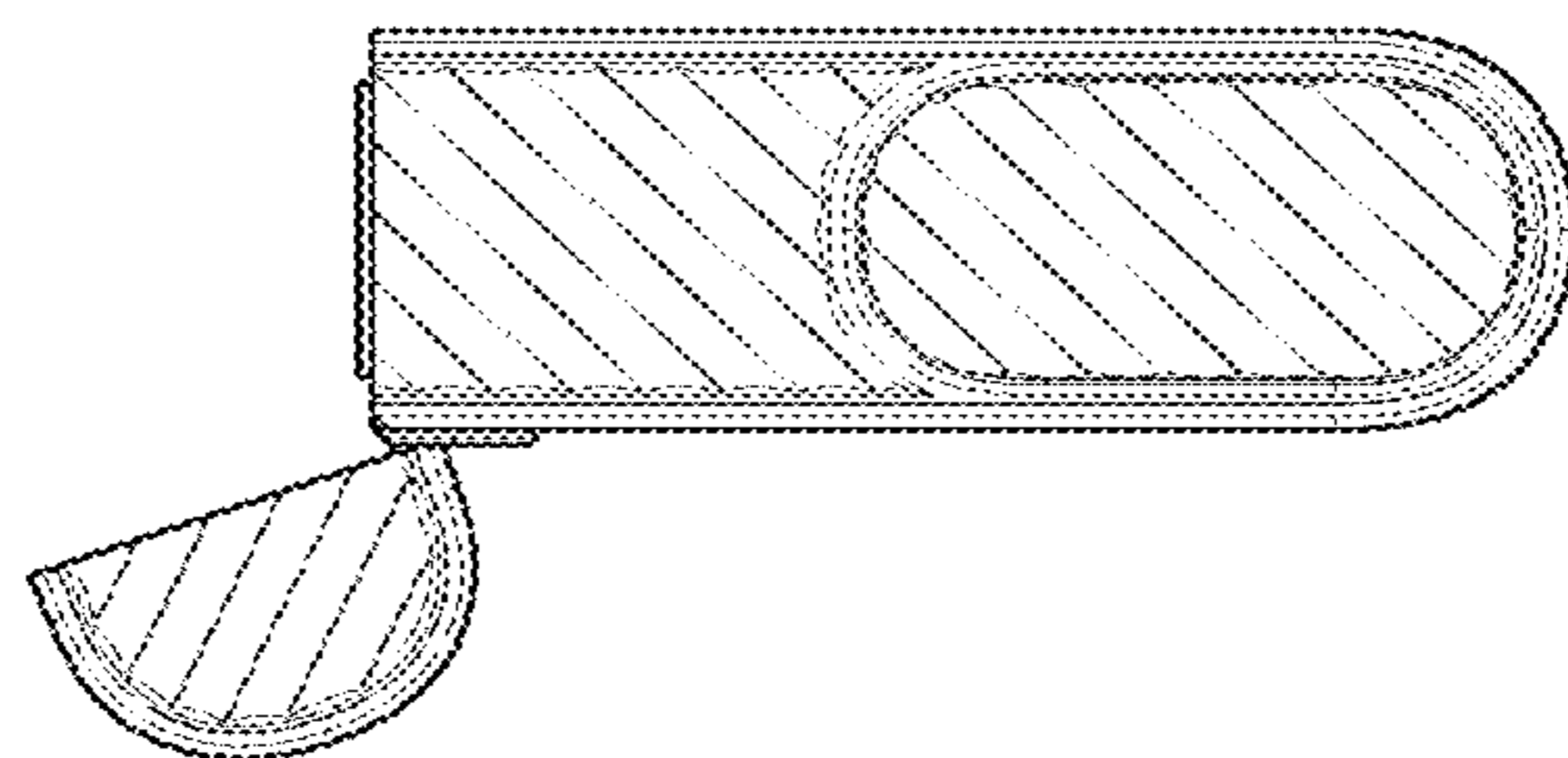


FIG. 4

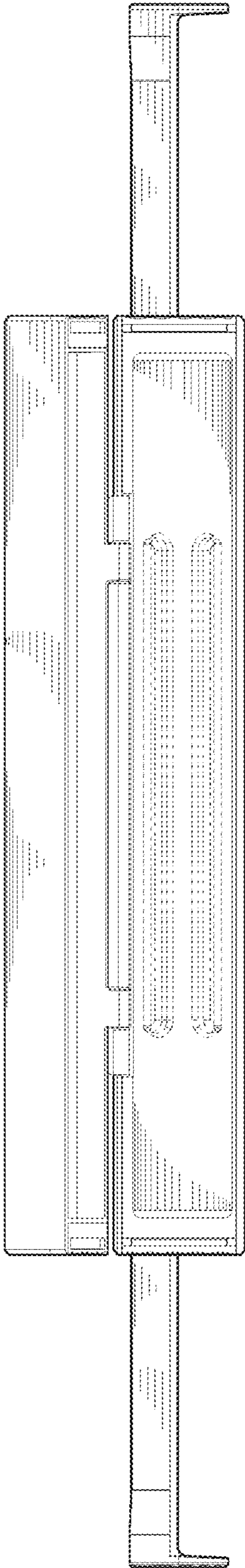


FIG. 6

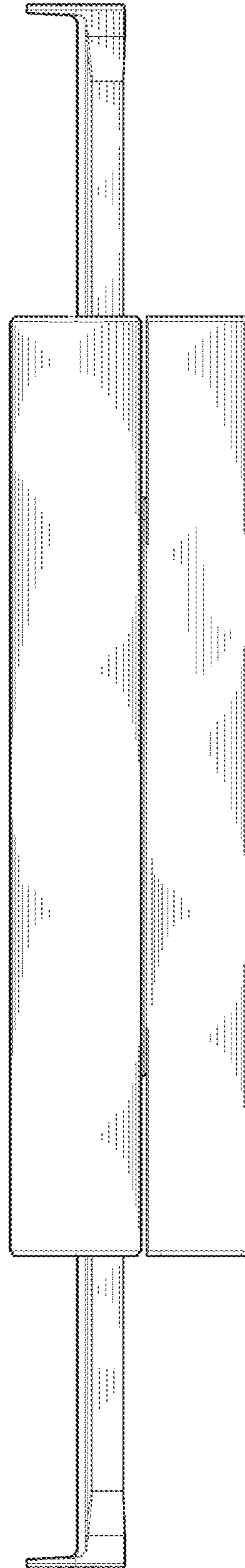


FIG. 7