



US00D939829S

(12) **United States Design Patent**  
**Goldstein**

(10) **Patent No.:** **US D939,829 S**  
(45) **Date of Patent:** **\*\* Jan. 4, 2022**

(54) **HANDHELD CASE**

(71) Applicant: **AIR VINYL DESIGN, LLC,**  
Calabasas, CA (US)

(72) Inventor: **Ryan Michael Goldstein,** Calabasas,  
CA (US)

(\*\*) Term: **15 Years**

(21) Appl. No.: **29/666,204**

(22) Filed: **Oct. 10, 2018**

(51) **LOC (13) Cl.** ..... **03-01**

(52) **U.S. Cl.**  
USPC ..... **D3/294**

(58) **Field of Classification Search**

USPC ..... D3/201, 203.1, 203.3, 203.6, 205, 218,  
D3/272-273, 294-295, 301, 319;  
D14/223, 229, 440  
CPC ..... A45F 5/00; A45C 13/002; A45C 13/005  
See application file for complete search history.

(56) **References Cited**

**U.S. PATENT DOCUMENTS**

D806,388 S *	1/2018	Akana	.....	D3/294
D818,268 S *	5/2018	Akana	.....	D3/294
D835,081 S *	12/2018	Luo	.....	D14/229
D888,408 S *	6/2020	Lee	.....	D3/201
D891,771 S *	8/2020	Lee	.....	D3/269
D893,184 S *	8/2020	Liu	.....	D3/294
D904,005 S *	12/2020	Jung	.....	D3/201
D907,049 S *	1/2021	Yu	.....	D14/440
D908,345 S *	1/2021	He	.....	D3/201
D922,946 S *	6/2021	Chen	.....	D13/108
D924,560 S *	7/2021	Hyun	.....	D3/218
D927,465 S *	8/2021	Wang	.....	D14/223

**OTHER PUBLICATIONS**

Air Vinyl Design, Zen Pod, First Available Online Nov. 20, 2018,  
(<https://www.amazon.com/ZenPod-Spinning-AirPods-Spinner-Leather/>)

dp/B07KQCH5DT/ref=sr\_1\_4?dchild=1&keywords=Air%2BVinyl%2BDesign&qid=1628886747&sr=8-4&th=1).\*

Air Vinyl Design, Zen Pod, First Available Online Jan. 10, 2019,  
(<https://web.archive.org/web/20200903073927/https://www.airvinyl.com/shop-nav/zenpod>).\*

\* cited by examiner

*Primary Examiner* — Holly E Thurman

(74) *Attorney, Agent, or Firm* — Ferguson Case Orr Paterson

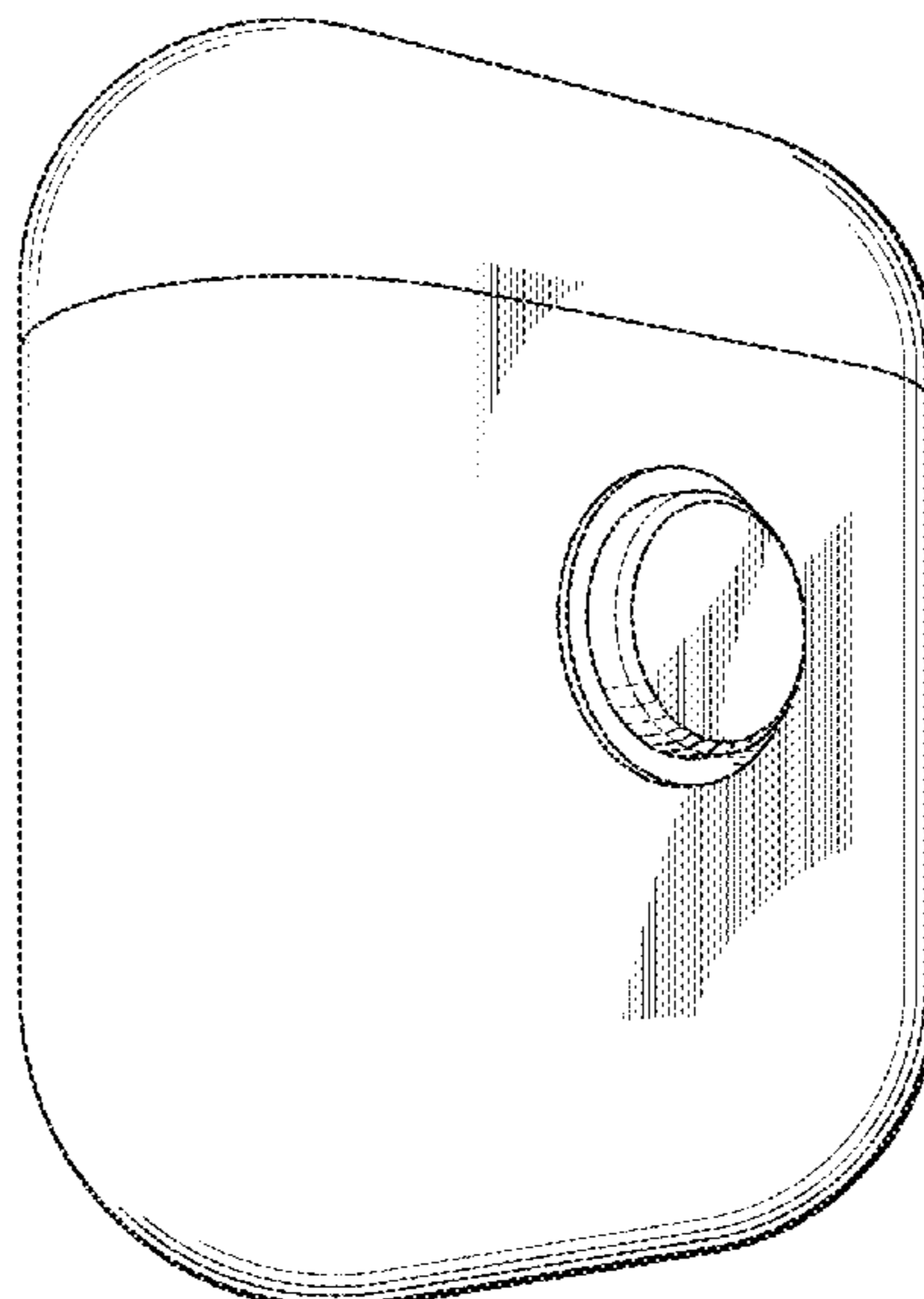
(57) **CLAIM**

The ornamental design for a handheld case, as shown and described herein.

**DESCRIPTION**

FIG. 1 is a top, front, left side perspective view of an embodiment of the handheld case.  
FIG. 2 is a front elevation view of the handheld case.  
FIG. 3 is a rear elevation view of the handheld case.  
FIG. 4 is a left side elevation view of the handheld case, with the right side elevation view being a mirror image.  
FIG. 5 is a top plan view of the handheld case, with the bottom plan view being a mirror image.  
FIG. 6 is a top, front, right, side perspective view of the handheld case with the lid shown open.  
FIG. 7 is a top, front, left side perspective view of another embodiment of the handheld case.  
FIG. 8 is a front elevation view of the handheld case.  
FIG. 9 is a rear elevation view of the handheld case.  
FIG. 10 is a left side elevation view of the handheld case, with the right side elevation view being a mirror image.  
FIG. 11 is a top plan view of the handheld case, with the bottom plan view being a mirror image; and,  
FIG. 12 is a top, front, right side perspective view of the handheld case with the lid shown open.  
The broken lines in the drawings depict portions of the handheld case that form NO part of the claimed design.

**1 Claim, 6 Drawing Sheets**



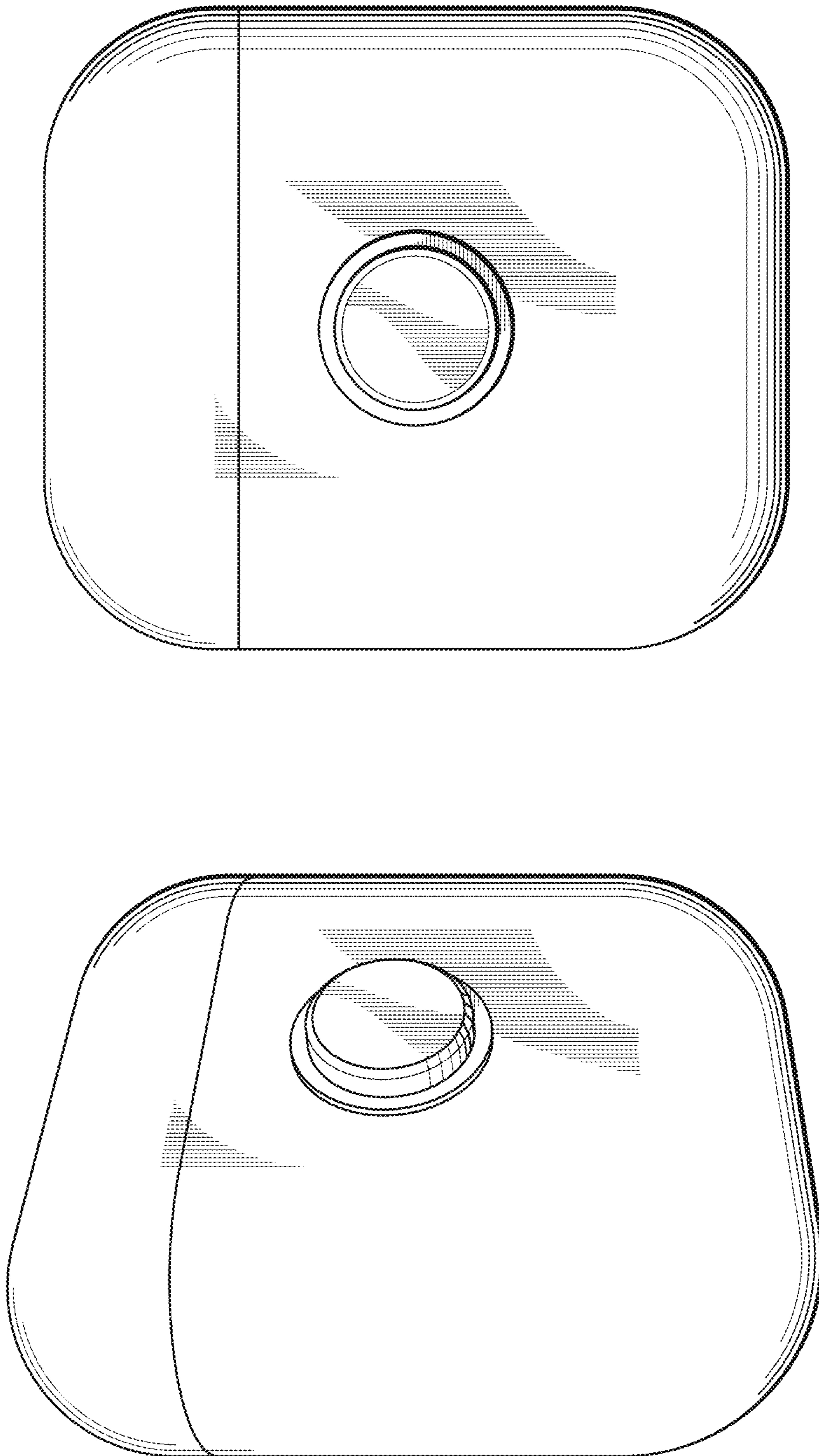


FIG. 2

FIG. 1

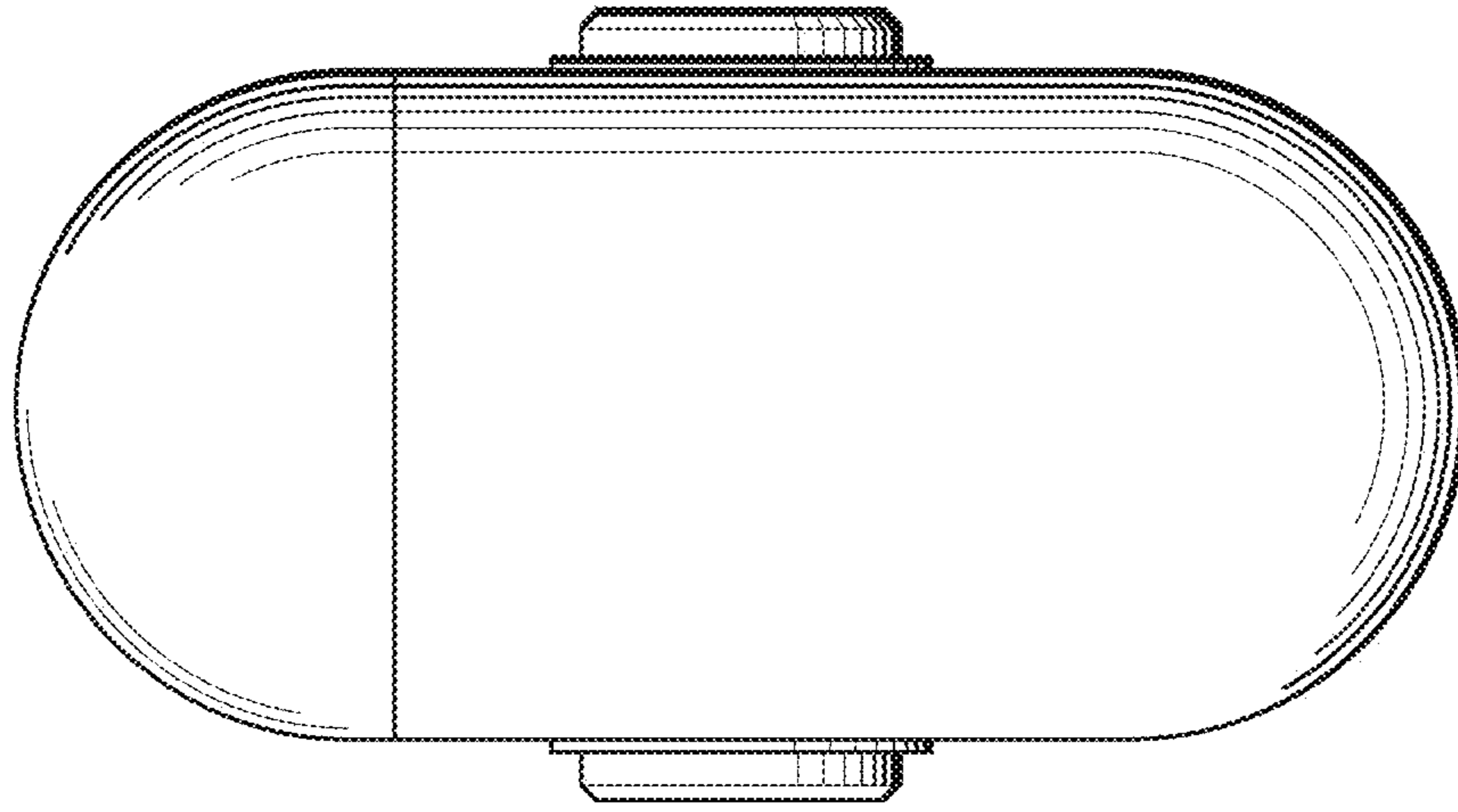


FIG. 4

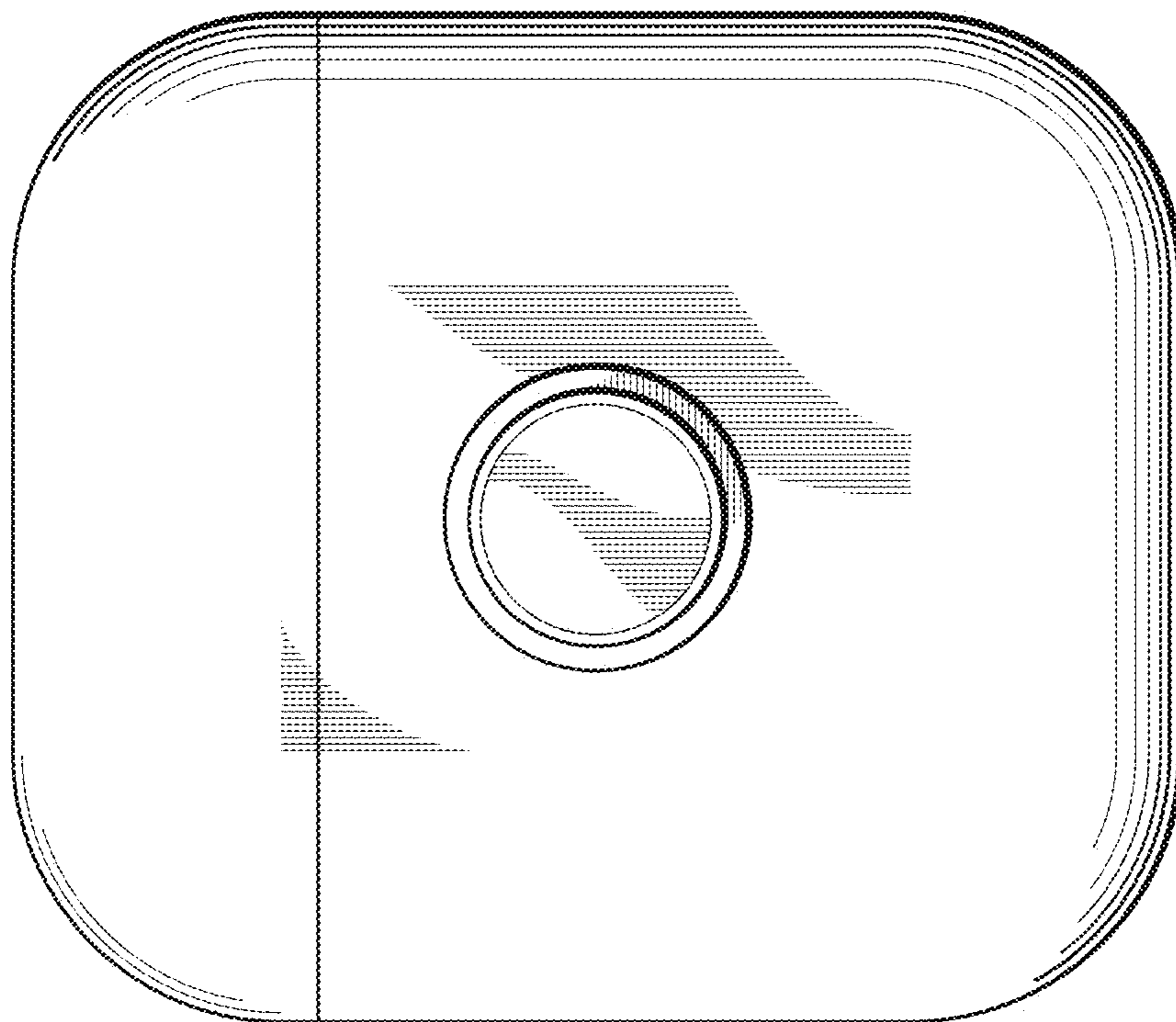


FIG. 3

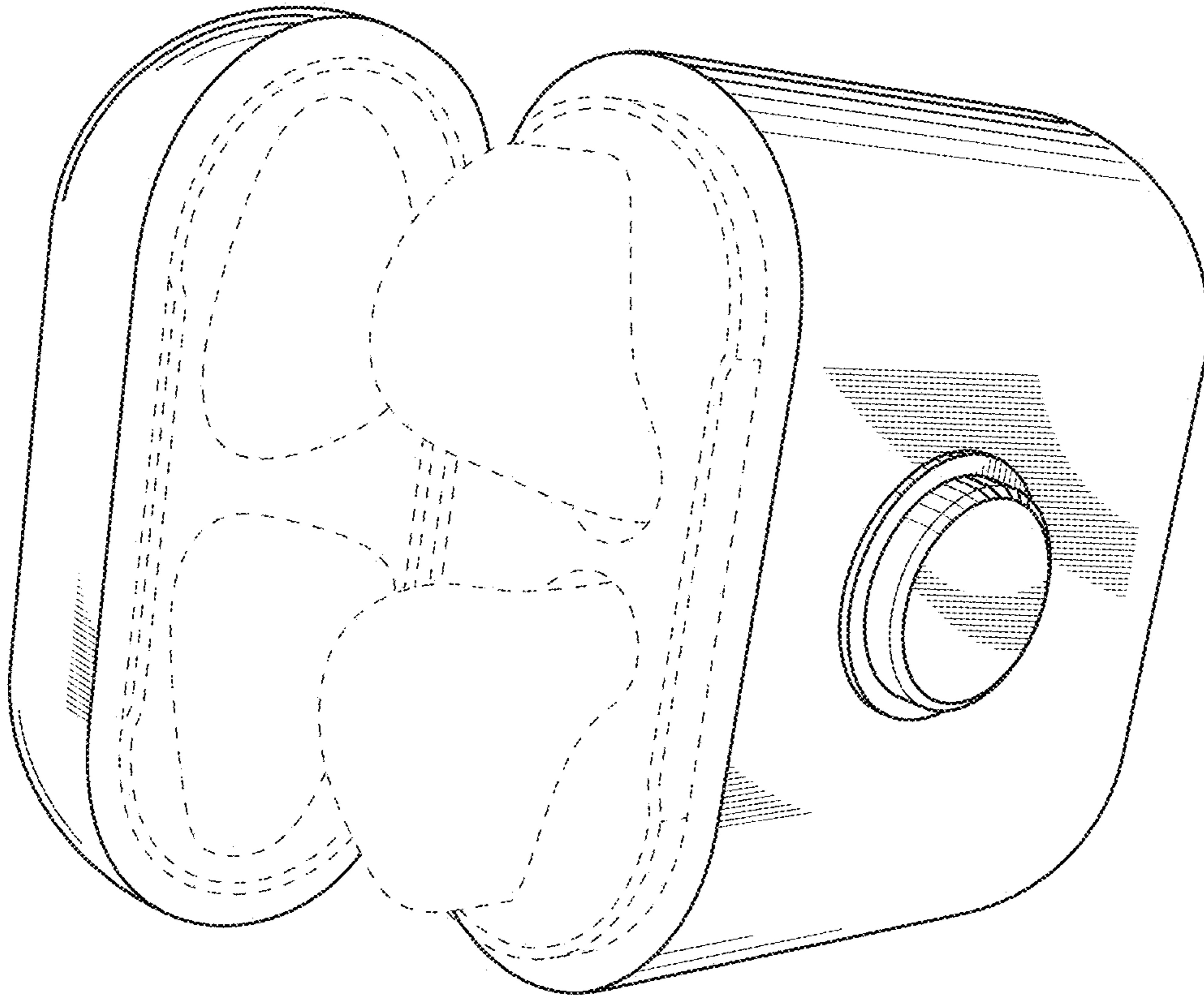


FIG. 6

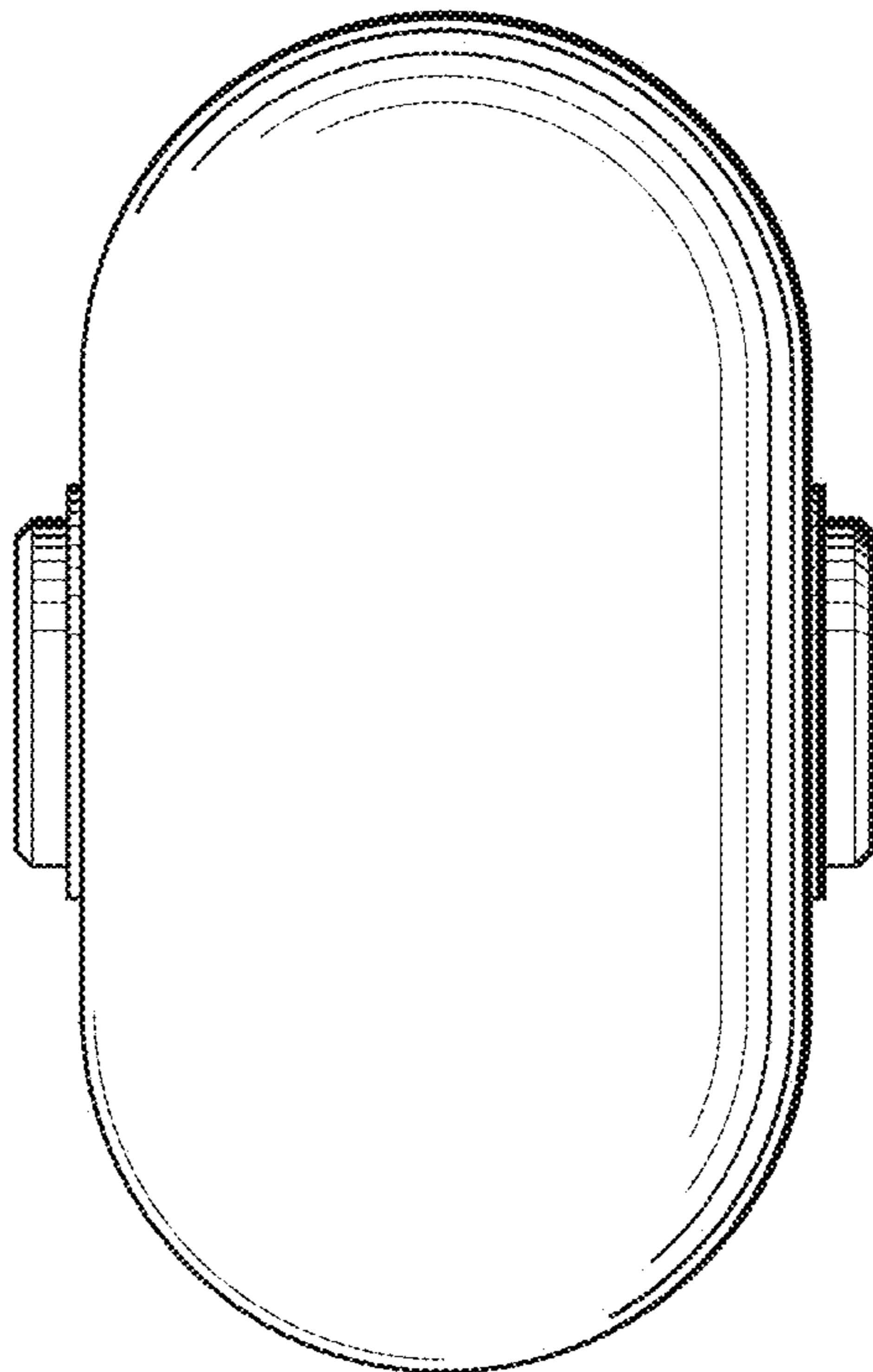


FIG. 5

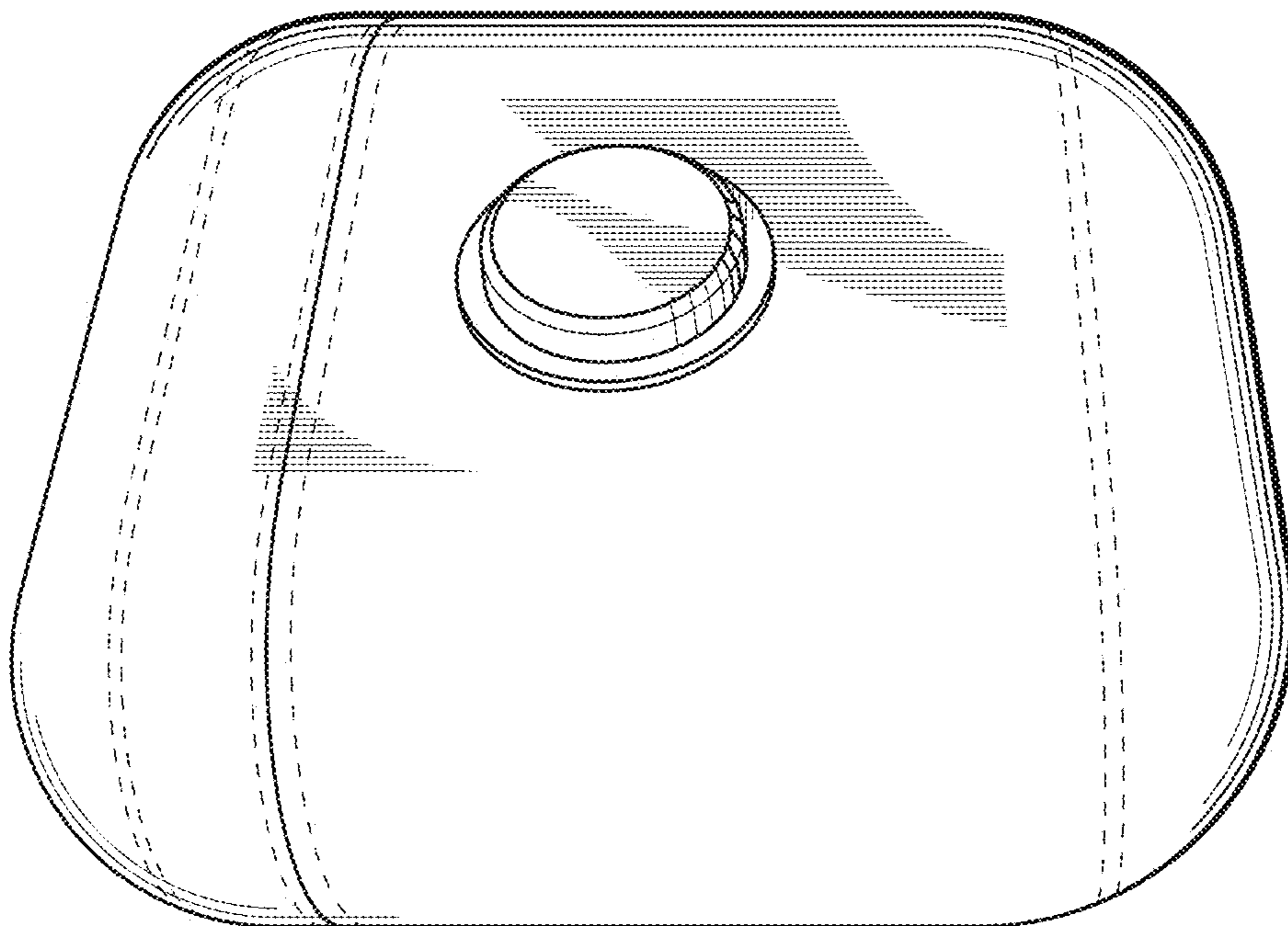


FIG. 7

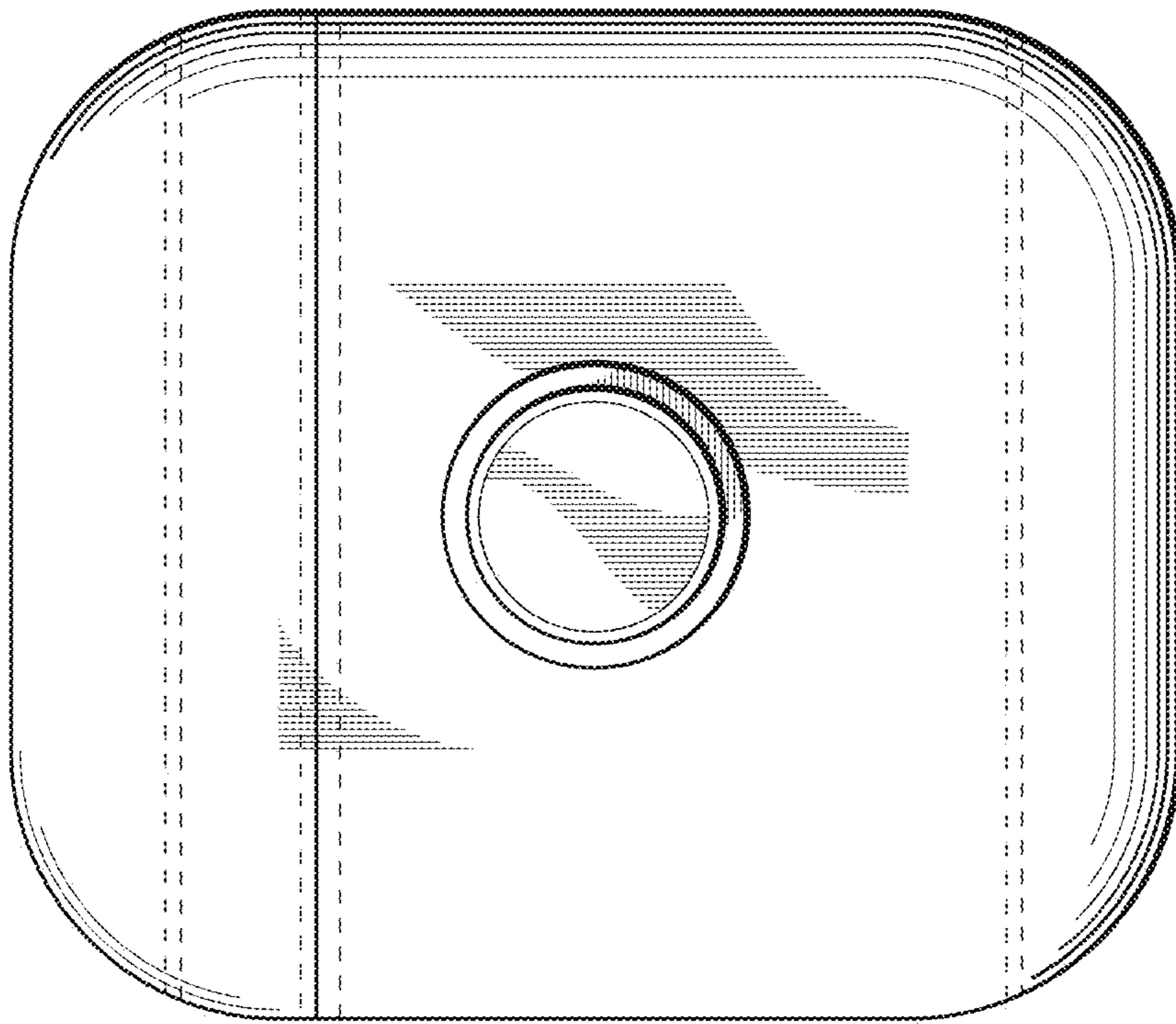


FIG. 8

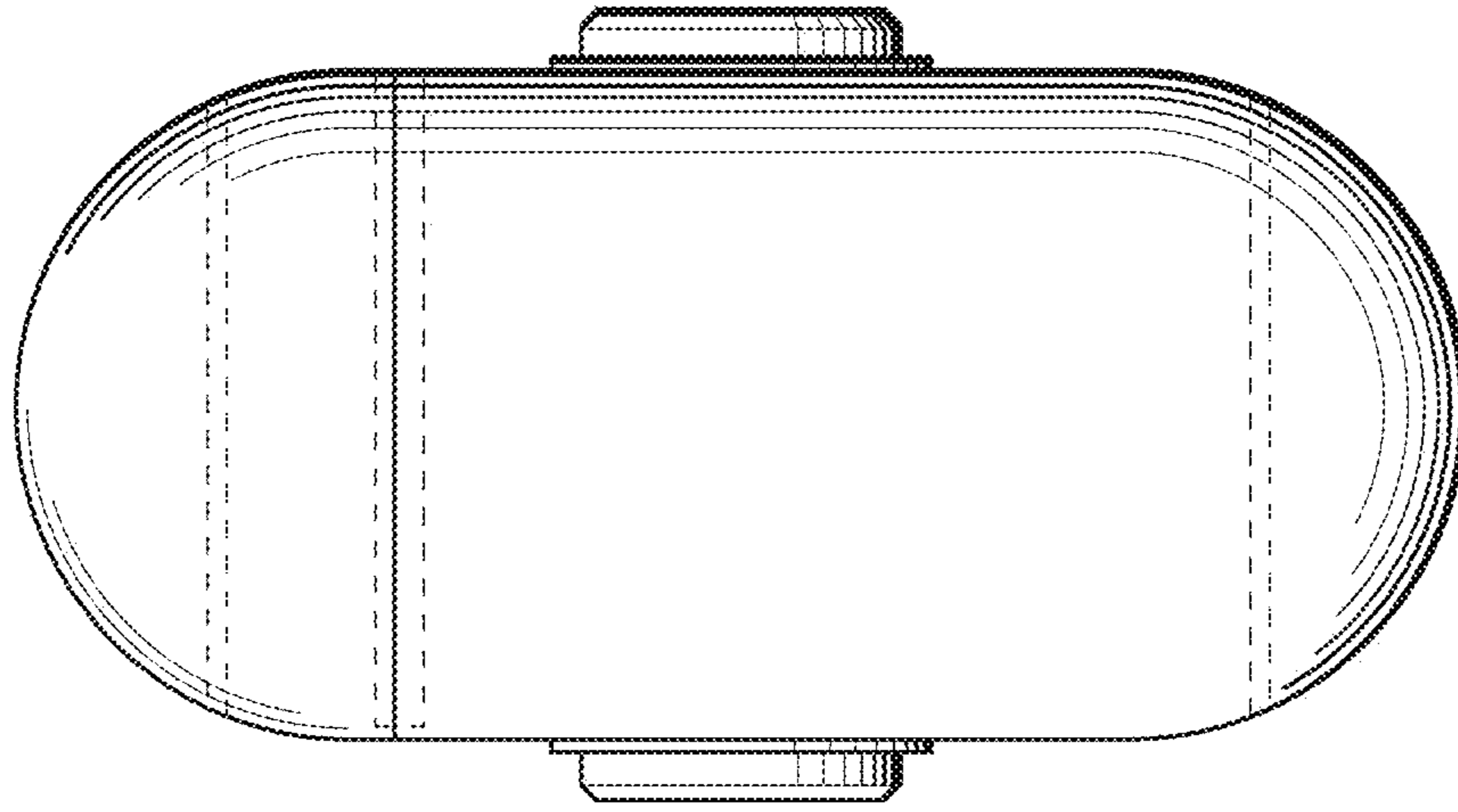


FIG. 10

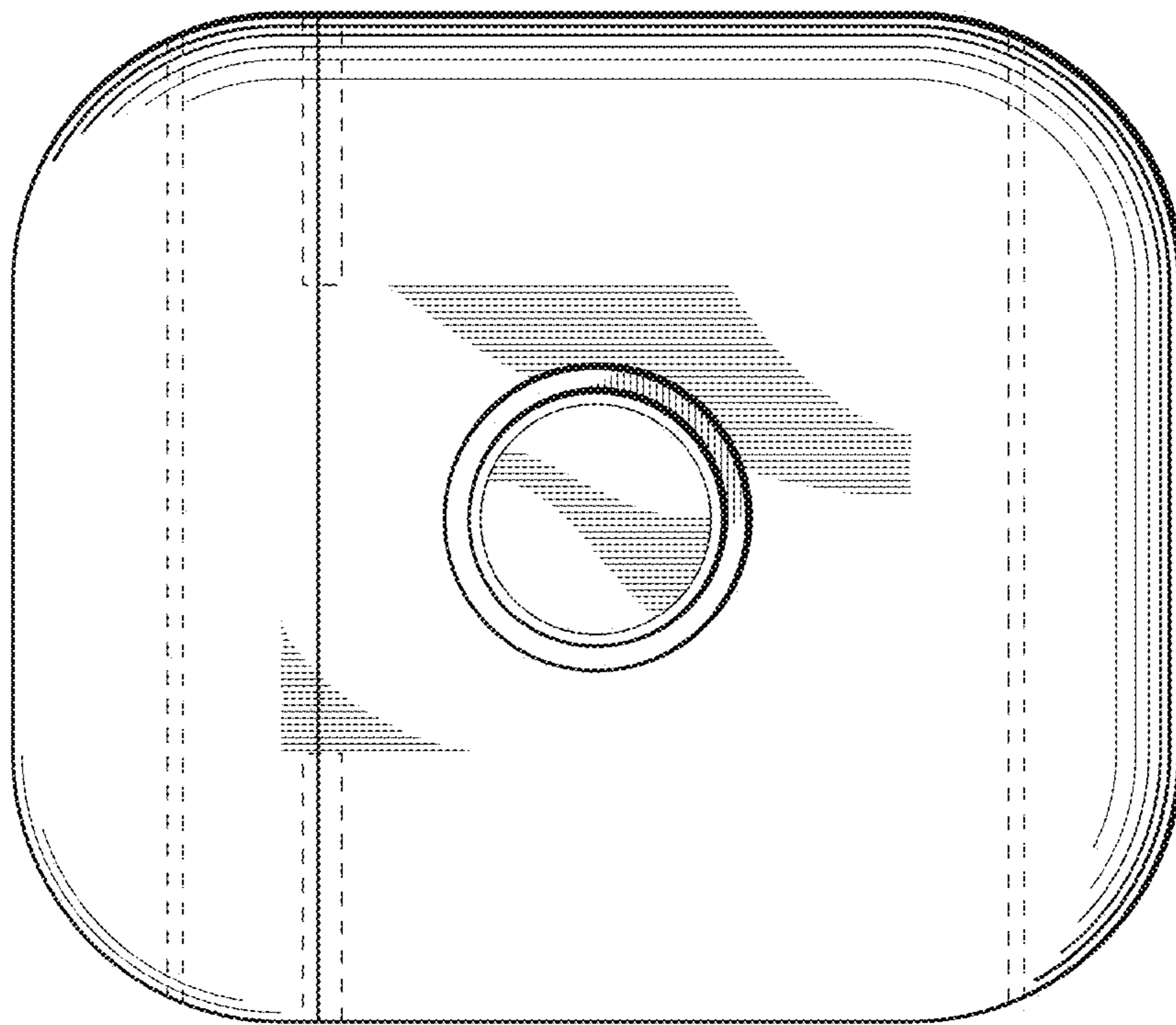


FIG. 9

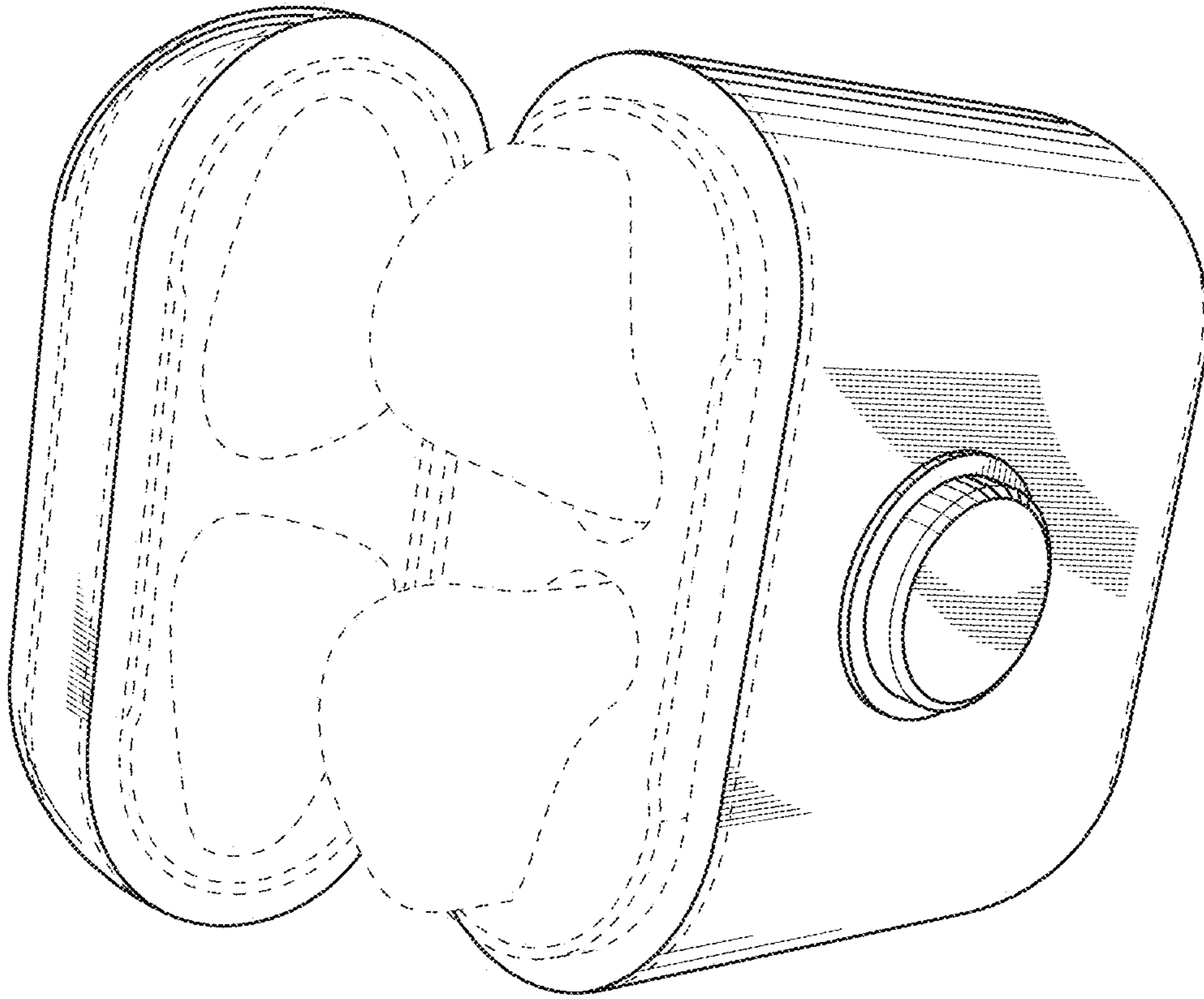


FIG. 12

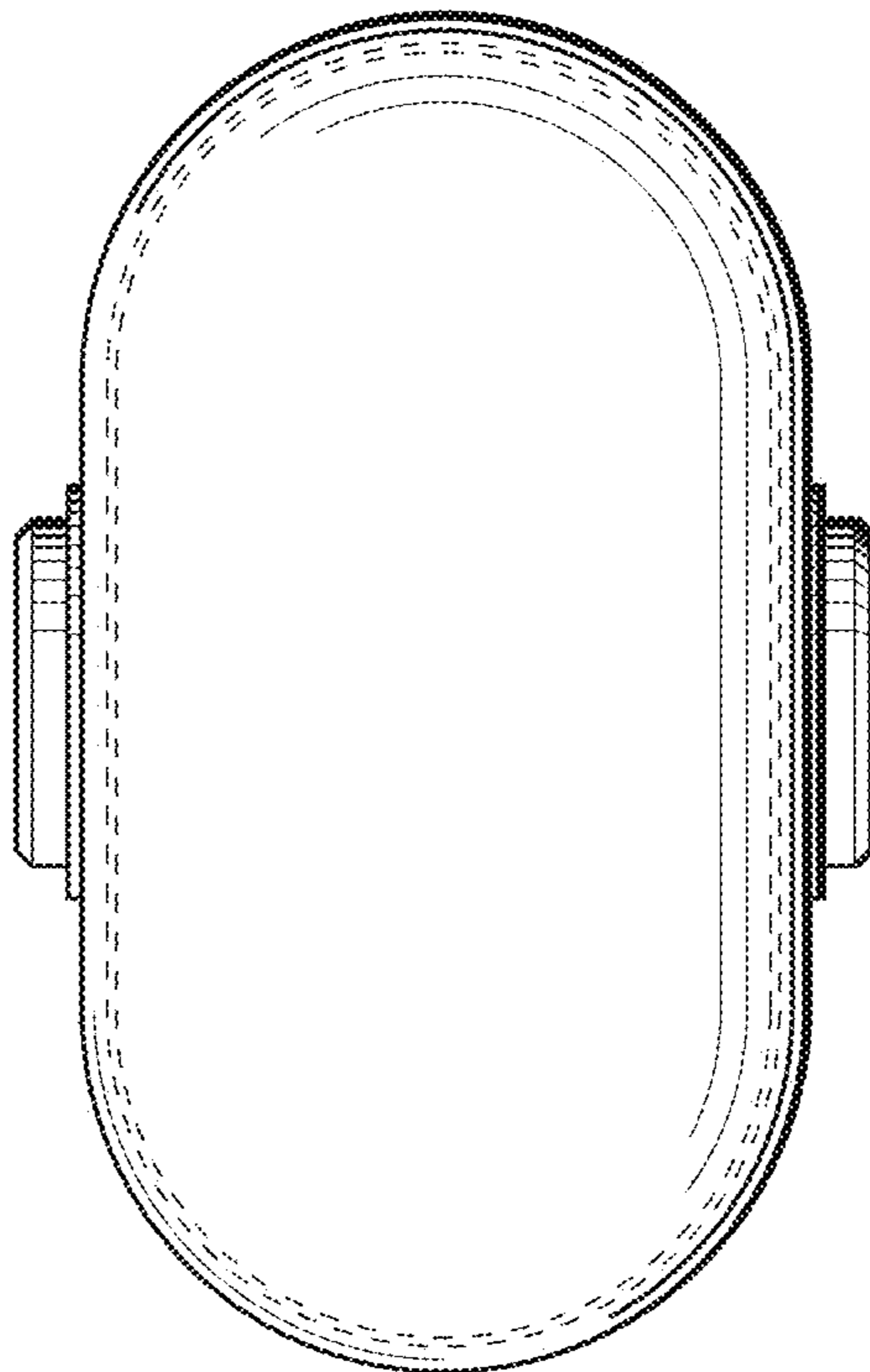


FIG. 11