



US00D939828S

(12) **United States Design Patent** (10) **Patent No.:** **US D939,828 S**  
**Choi** (45) **Date of Patent:** **\*\* Jan. 4, 2022**

(54) **BEACH CHAIR CARRY BAG**

FOREIGN PATENT DOCUMENTS

(71) Applicant: **Campvalley(Xiamen) Co., LTD.,**  
Xiamen (CN)

CN 303313262 \* 8/2015  
CN 303810239 \* 8/2016

(Continued)

(72) Inventor: **Kwanjun Choi,** Xiamen (CN)

OTHER PUBLICATIONS

(73) Assignee: **Campvalley(Xiamen) Co., LTD.,**  
Xiamen (CN)

Amazon.com: WOWLIVE Extra Large Foldable Laundry Bag: Site Visited Oct. 20, 2021. Oldest Review Oct. 6, 2018: <https://www.amazon.com/WOWLIVE-Foldable-Collapsible-Backpack-Waterproof-product-reviews/B07HMJYCHW> (Year: 2018).\*

(\*\*) Term: **15 Years**

(Continued)

(21) Appl. No.: **29/741,653**

(22) Filed: **Jul. 15, 2020**

*Primary Examiner* — Brett Miller

*Assistant Examiner* — Jessica M Gebhart

(30) **Foreign Application Priority Data**

(74) *Attorney, Agent, or Firm* — Bayramoglu Law Offices LLC

Feb. 20, 2020 (CN) ..... 202030055778.9

(51) **LOC (13) Cl.** ..... **03-01**

(57) **CLAIM**

(52) **U.S. Cl.**

The ornamental design for a beach chair carry bag, as shown and described.

USPC ..... **D3/290; D3/287**

(58) **Field of Classification Search**

**DESCRIPTION**

USPC ..... D3/232, 242, 243, 245, 246, 276, 279,  
D3/283, 284, 287, 289, 290, 318, 323,  
D3/904, 216; D9/705

CPC ..... A45C 7/00; A45C 3/00; A45C 13/02

See application file for complete search history.

FIG. 1 is a front perspective view of a beach chair carry bag showing my new design;

FIG. 2 is a front view thereof;

FIG. 3 is a rear view thereof;

FIG. 4 is a left side view thereof;

FIG. 5 is a right side view thereof;

FIG. 6 is a top view thereof;

FIG. 7 is a bottom view thereof;

FIG. 8 is a top perspective view thereof;

FIG. 9 is a partially enlarged view showing an indicated portion in FIG. 1; and,

FIG. 10 is a partially enlarged view showing another indicated portion in FIG. 1.

The broken lines indicating enlarged portions of the design form no part of the claimed design.

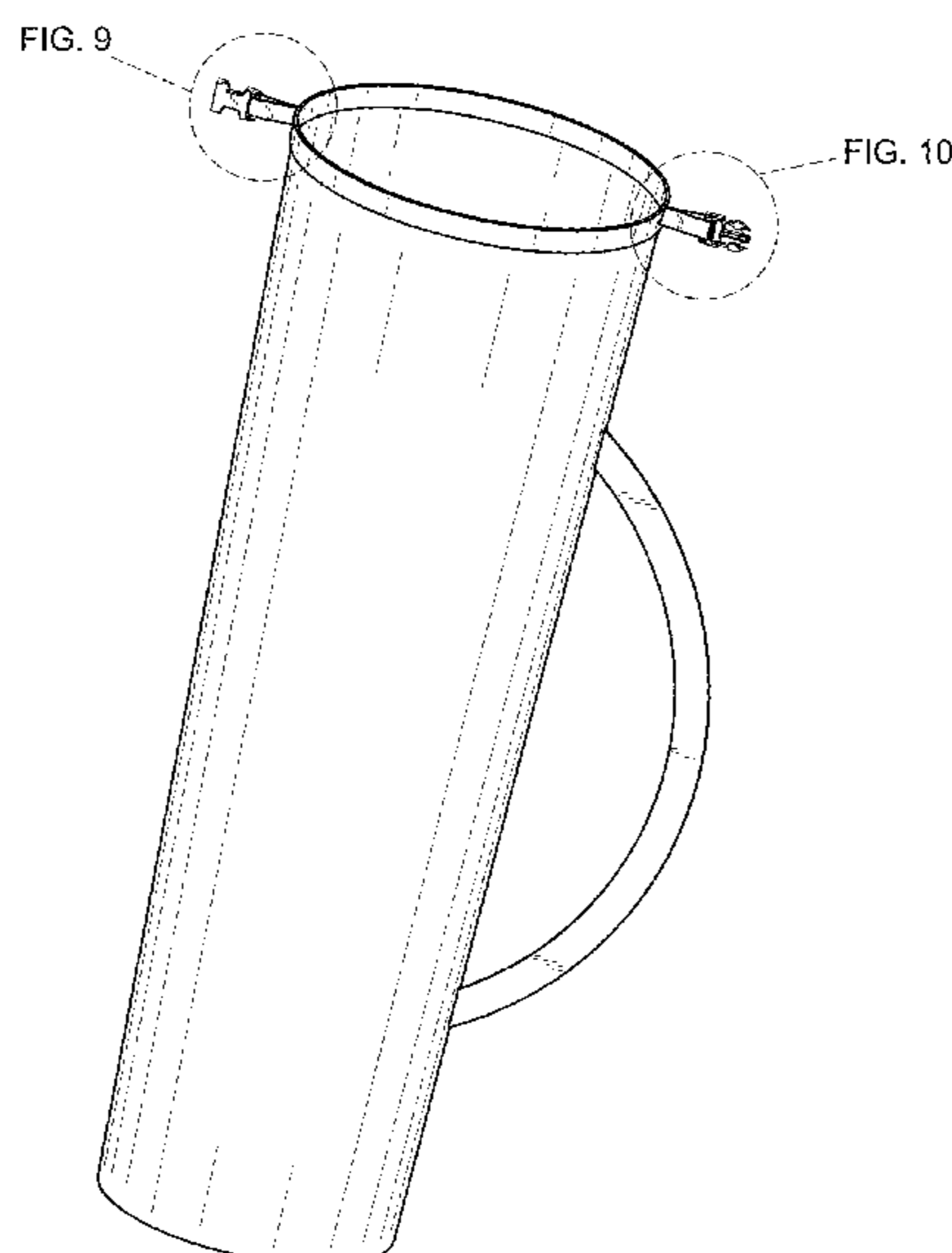
(56) **References Cited**

U.S. PATENT DOCUMENTS

D302,775 S \* 8/1989 Sinoff ..... D7/608  
D343,954 S \* 2/1994 Simmons ..... D22/107  
D347,968 S \* 6/1994 Friedman ..... D7/302  
D373,677 S \* 9/1996 Kelly ..... D3/229  
D387,555 S \* 12/1997 Miller ..... D3/232  
6,186,662 B1 \* 2/2001 Jackson ..... A45C 3/00  
383/117  
D472,045 S \* 3/2003 Nieves ..... D3/233  
D586,554 S \* 2/2009 Baptiste ..... D3/233  
D588,360 S \* 3/2009 Scott ..... D3/260

(Continued)

**1 Claim, 8 Drawing Sheets**



(56)

References Cited

U.S. PATENT DOCUMENTS

D699,031	S	*	2/2014	Clavette	.....	D3/216
D702,942	S	*	4/2014	Redman	.....	D3/290
D740,565	S	*	10/2015	Ludeman	.....	D3/307
D784,693	S	*	4/2017	Quarry	.....	D3/257
D848,858	S	*	5/2019	Tastan	.....	D9/705
D884,342	S	*	5/2020	Savino Ben	.....	D3/254
D910,243	S	*	2/2021	Watson	.....	D30/109
2003/0201294	A1	*	10/2003	Gam	.....	A45C 7/0063 224/617
2007/0089955	A1	*	4/2007	Oberst	.....	A45C 7/0086 190/111
2007/0113463	A1	*	5/2007	Duncan	.....	A01K 97/08 43/26
2017/0013946	A1	*	1/2017	Bergman	.....	A45C 13/103
2020/0029665	A1	*	1/2020	Zhou	.....	A45C 13/02

FOREIGN PATENT DOCUMENTS

CN	304356519	*	11/2017
CN	304849613	*	10/2018
GB	6002555	*	11/2016
GB	6059779	*	4/2019
JP	D1620207	*	12/2018
RU	00114977	*	6/2019
WO	D038554-008	*	2/1997

OTHER PUBLICATIONS

Amazon.com: Chrisley 106L Collapsible Laundry Hamper Extra Large Laundry Bag: Site visited Oct. 20, 2021. Oldest Review Jan.

26, 2019, [https://www.amazon.com/Chrisley-Backpack-Collapsible-Foldable Laundry%EF%BC%88Beige%EF%BC%89/dp/B07LF4PDVB/ref=cm\\_cr\\_arp\\_d\\_product\\_top?ie=UTF8&th=1](https://www.amazon.com/Chrisley-Backpack-Collapsible-Foldable-Laundry-%EF%BC%88Beige-%EF%BC%89/dp/B07LF4PDVB/ref=cm_cr_arp_d_product_top?ie=UTF8&th=1) (Year: 2019).\*

Youtube.com: "10 Best Travel Laundry Bags 2018" posted on Mar. 13, 2018 by Ezvid Wiki features the Sea to Summit Big River Dry Bag at the 3:27 mark. Site visited Oct. 20, 2021: <https://www.youtube.com/watch?v=0V4QMo9Mpek> (Year: 2018).\*

Amazon.com: Site visited Oct. 28, 2021, FANBX F Trekking Poles Carrying Bag Case, First available Mar. 26, 2018 <https://www.amazon.com/FANBX-Trekking-Waterproof-Protectors-Backpacking/dp/B07BQKRPG?th=1> (Year: 2018).\*

Amazon.com: Site visited Oct. 28, 2021, APESNOIC Padded Ski Bag, First available Dec. 2, 2019 <https://www.amazon.com/APESNOIC-Waterproof-Transport-Without-Padded/dp/B0825YDNKB/ref?th=1> (Year: 2019).\*

Amazon.com, Site visited Nov. 4, 2021, Earth Pak-Waterproof Dry Bag—Roll Top Dry Compression Sack, First Available Jun. 13, 2016, <https://www.amazon.com/Earth-Pak-Waterproof-Dry-Bag/dp/B01GZCUC00> (Year: 2016).\*

Amazon.com, Site visited Nov. 4, 2021, Marchway Floating Waterproof Dry Bag, First available Feb. 19, 2018, <https://www.amazon.com/MARCHWAY-Floating-Waterproof-Kayaking-Swimming/dp/B07SR11S4H> (Year: 2018).\*

Amazon.com, Site visited Nov. 4, 2021, IDRYBAG Clear Dry Bag, First available Oct. 13, 2019, <https://www.amazon.com/dp/B08NSQ1VNQ> (Year: 2019).\*

\* cited by examiner

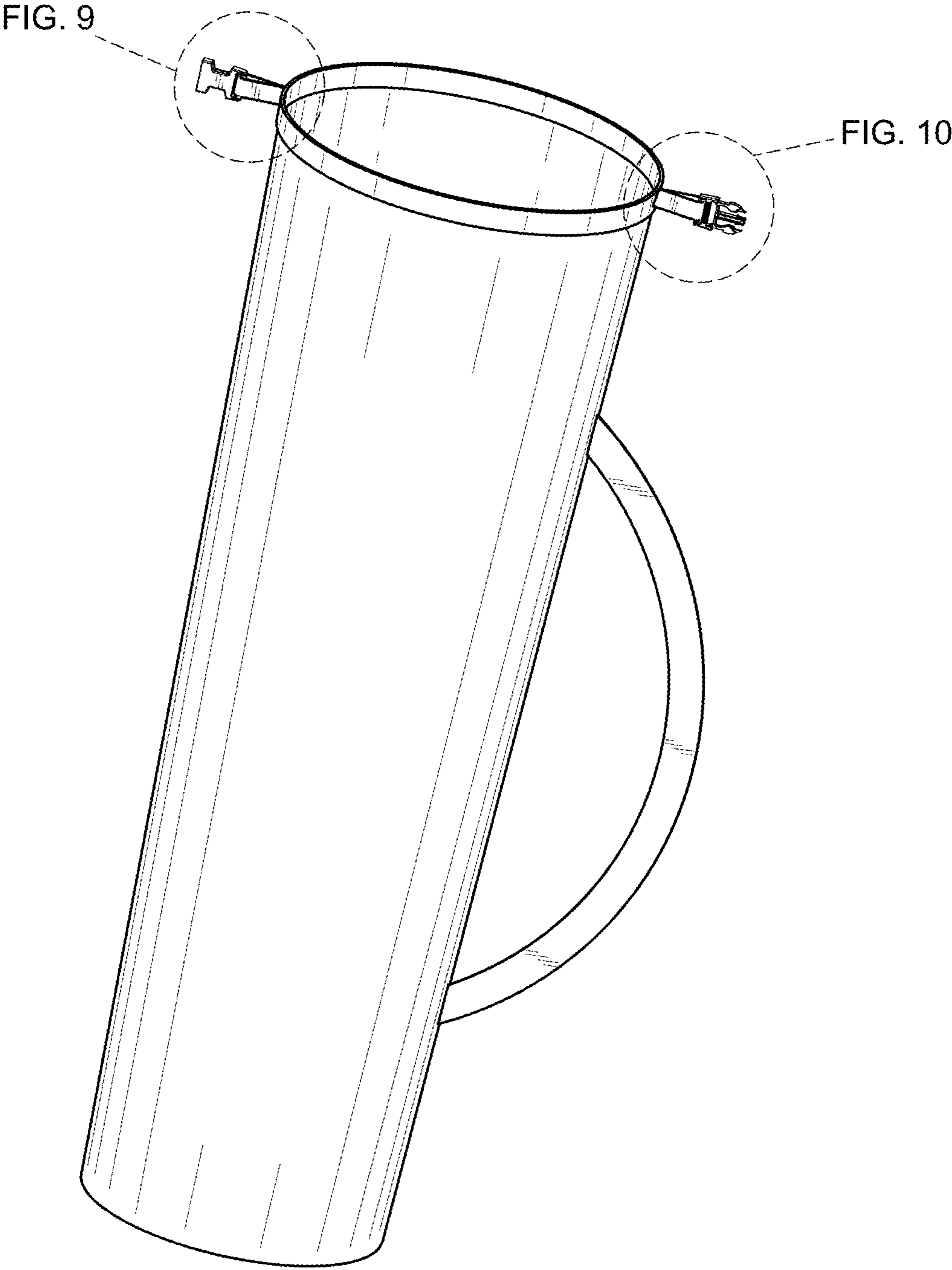


FIG. 1

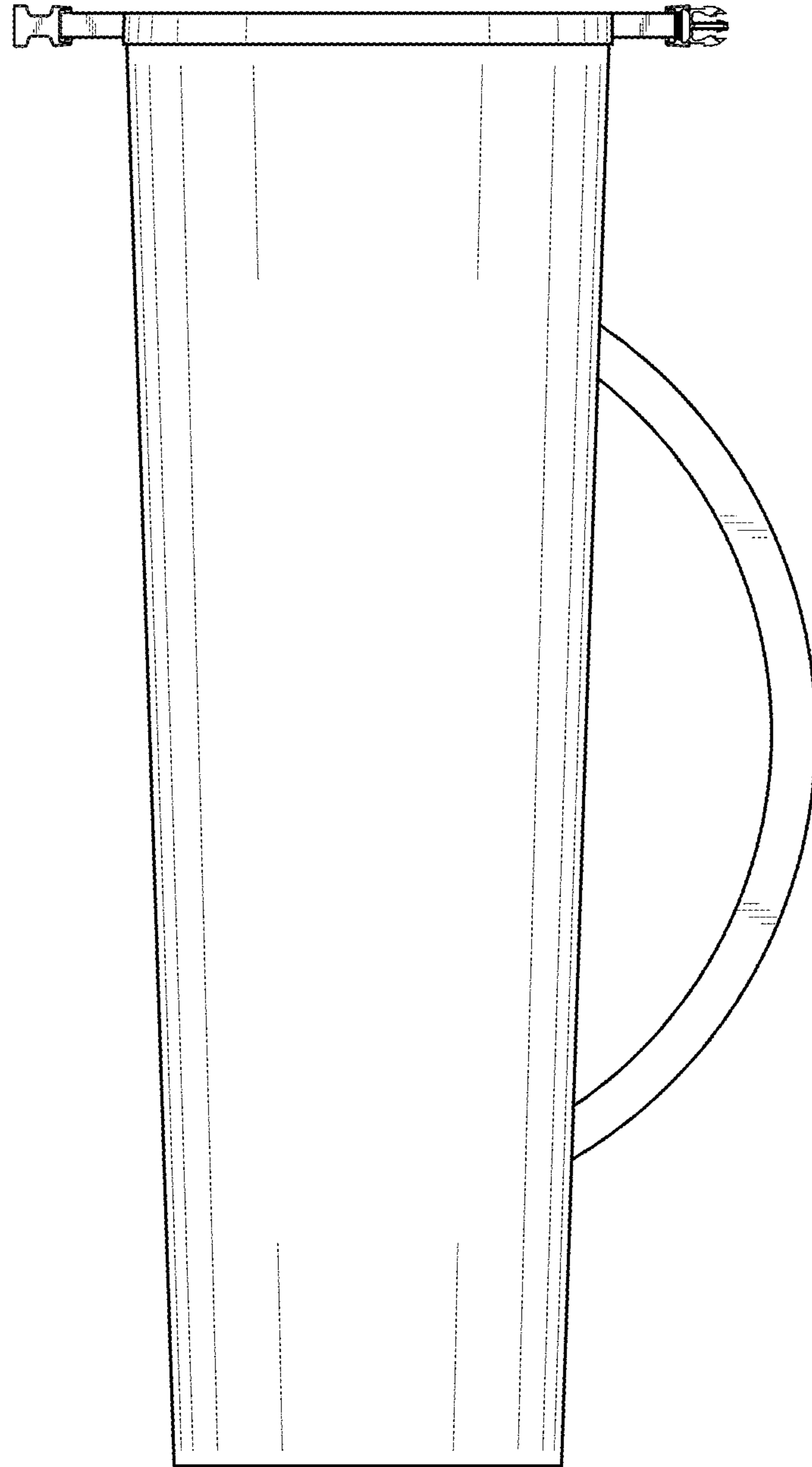


FIG. 2

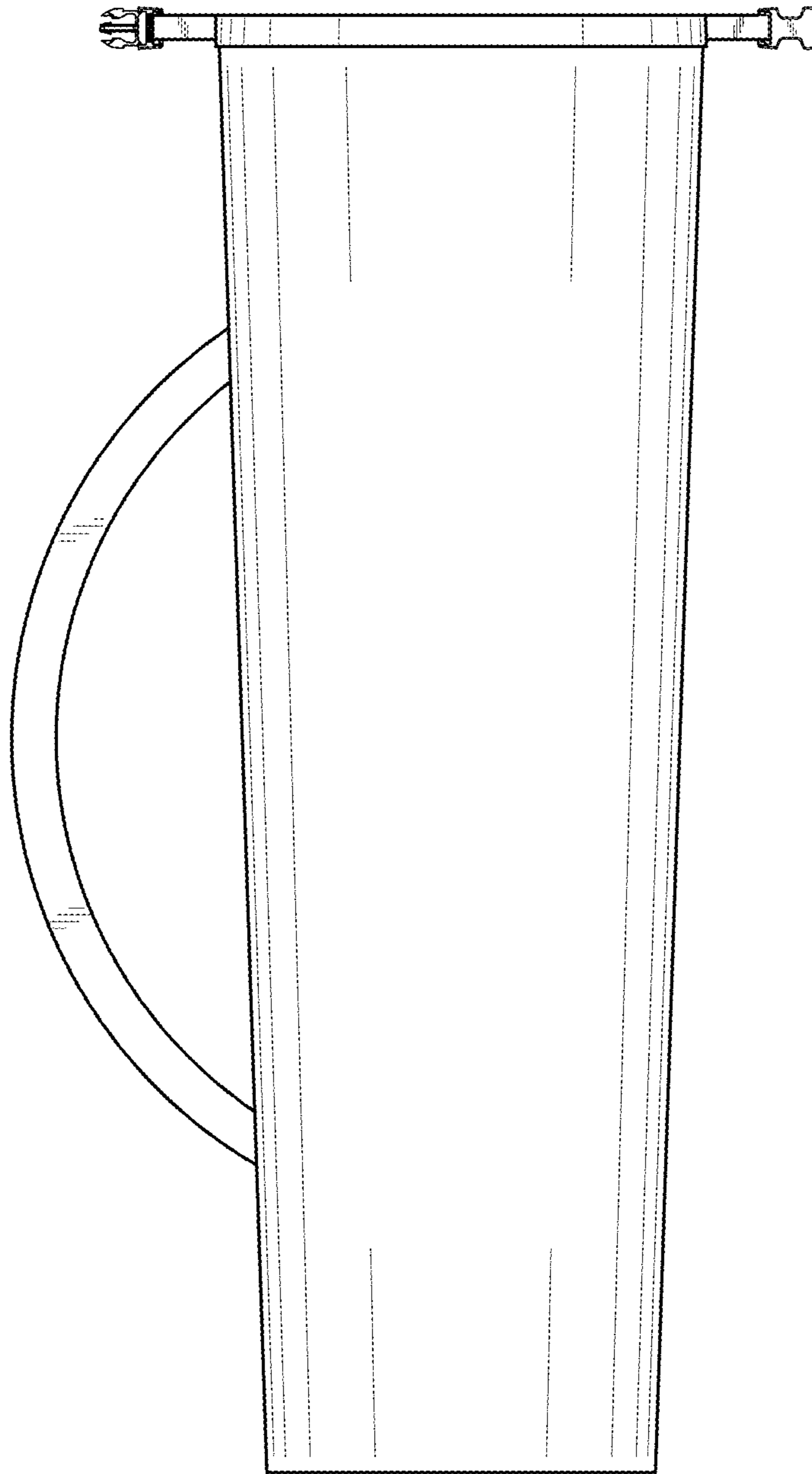


FIG. 3

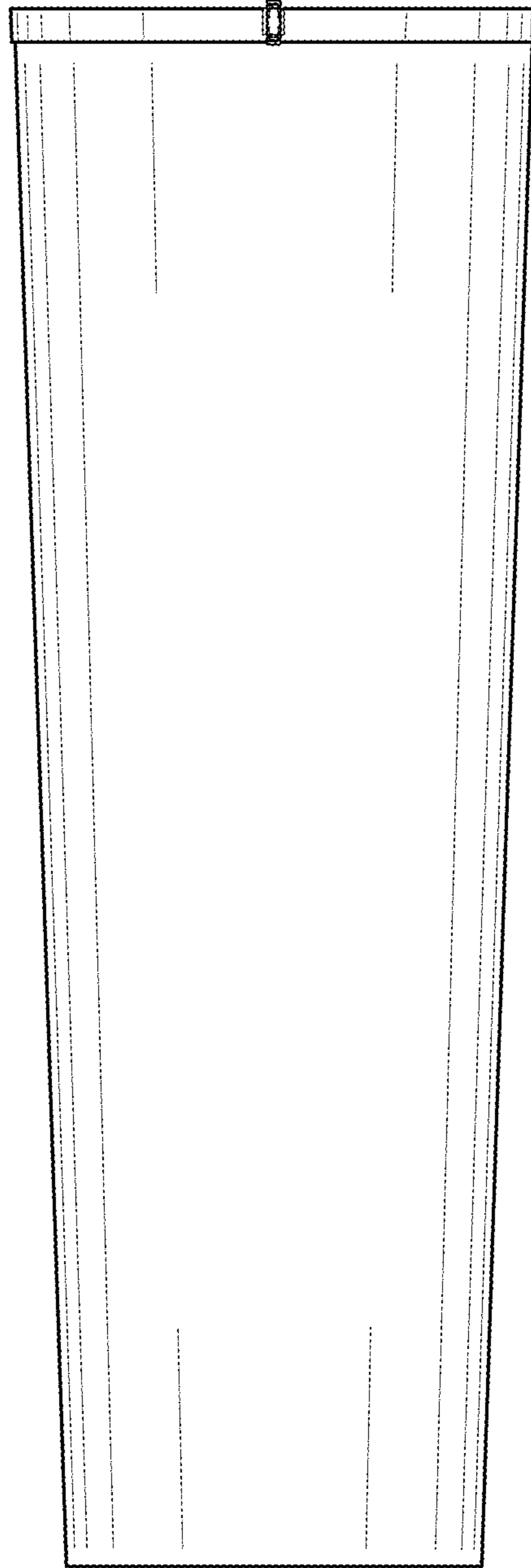


FIG. 4

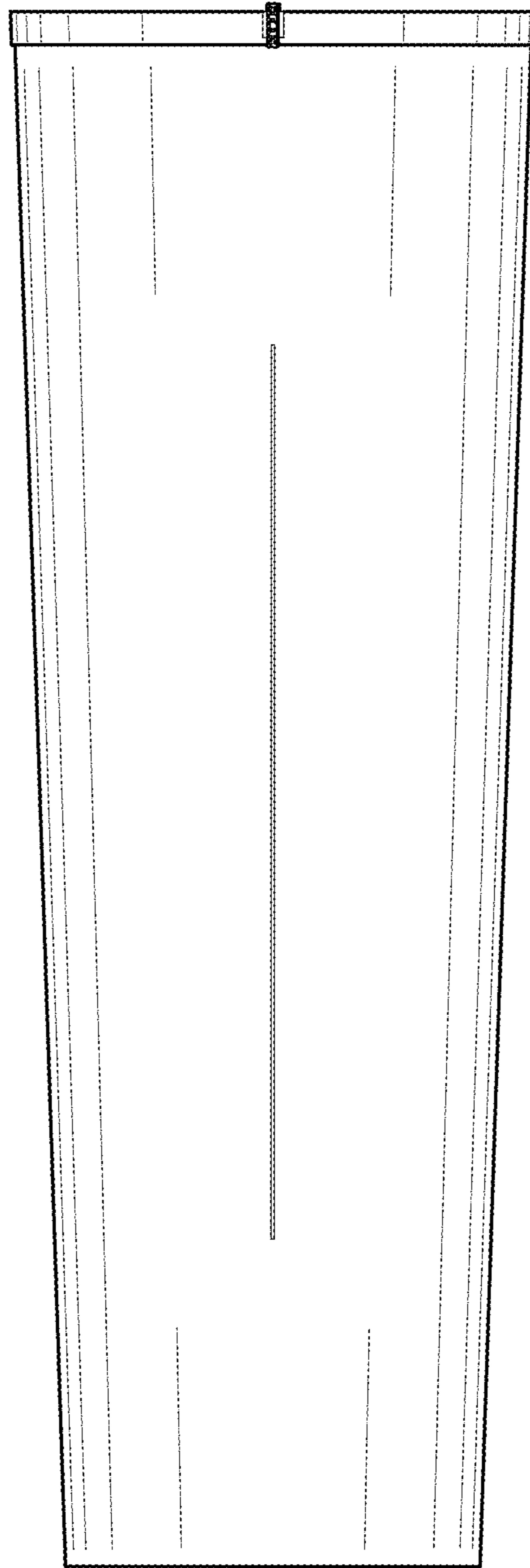


FIG. 5

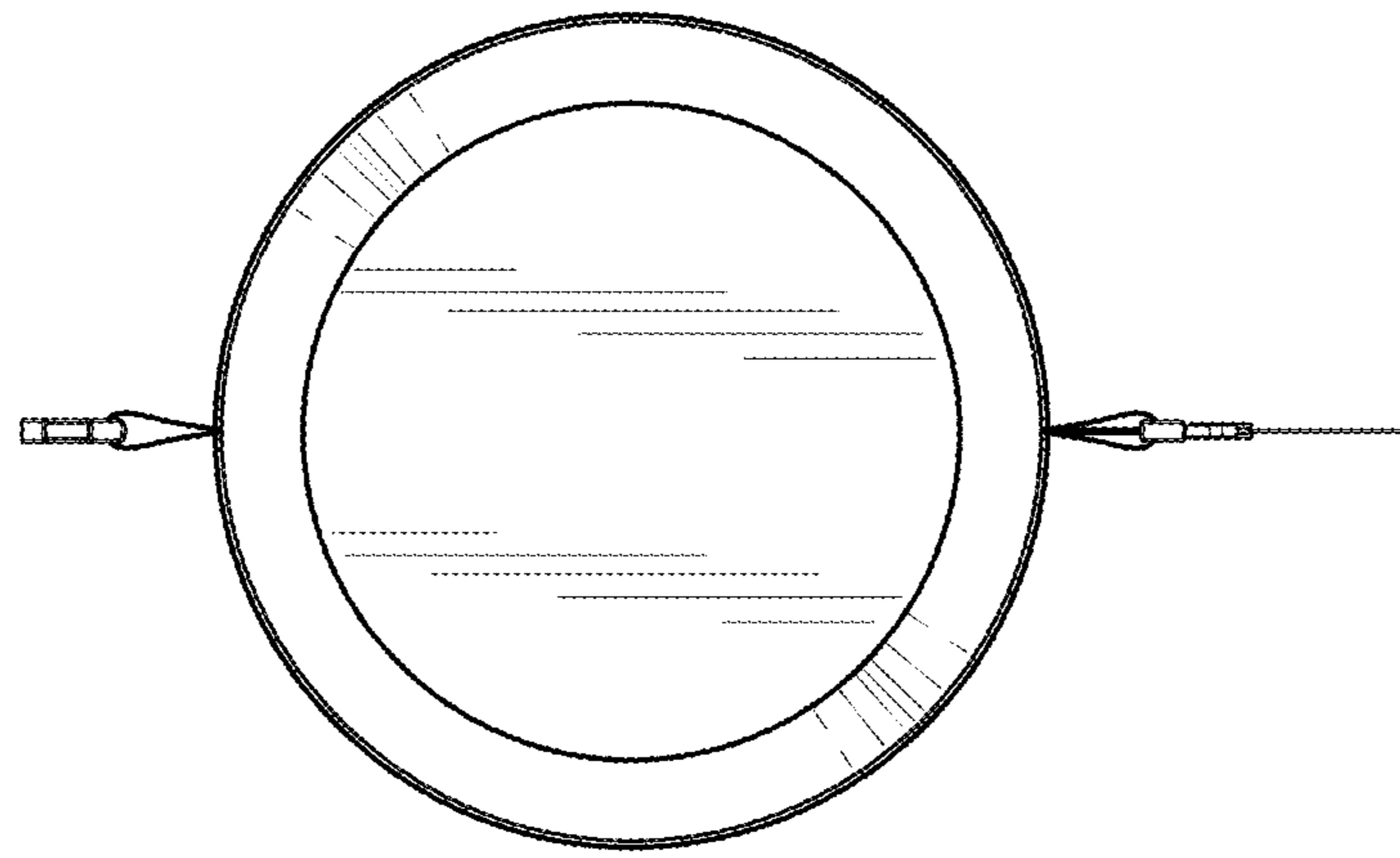


FIG. 6

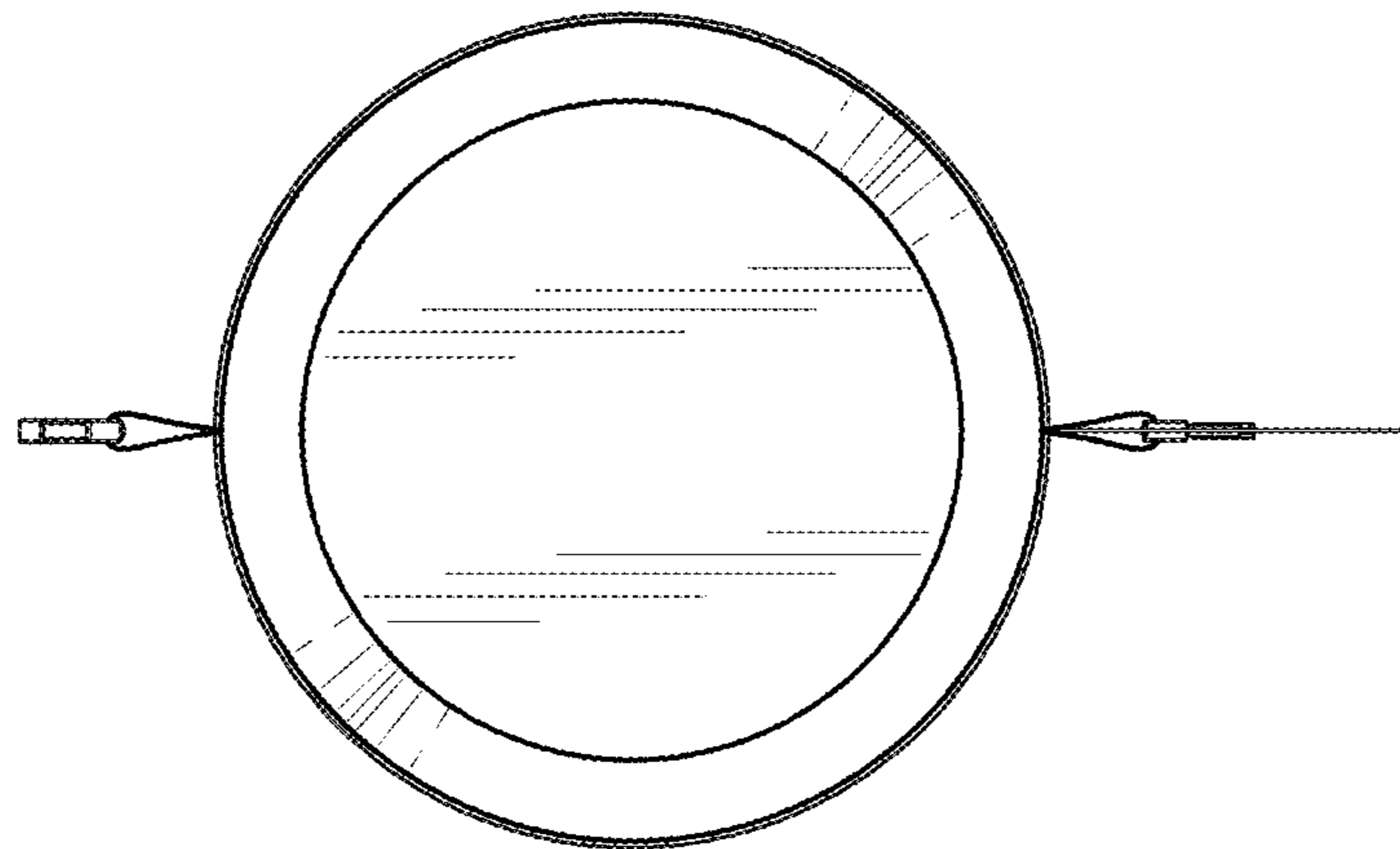


FIG. 7



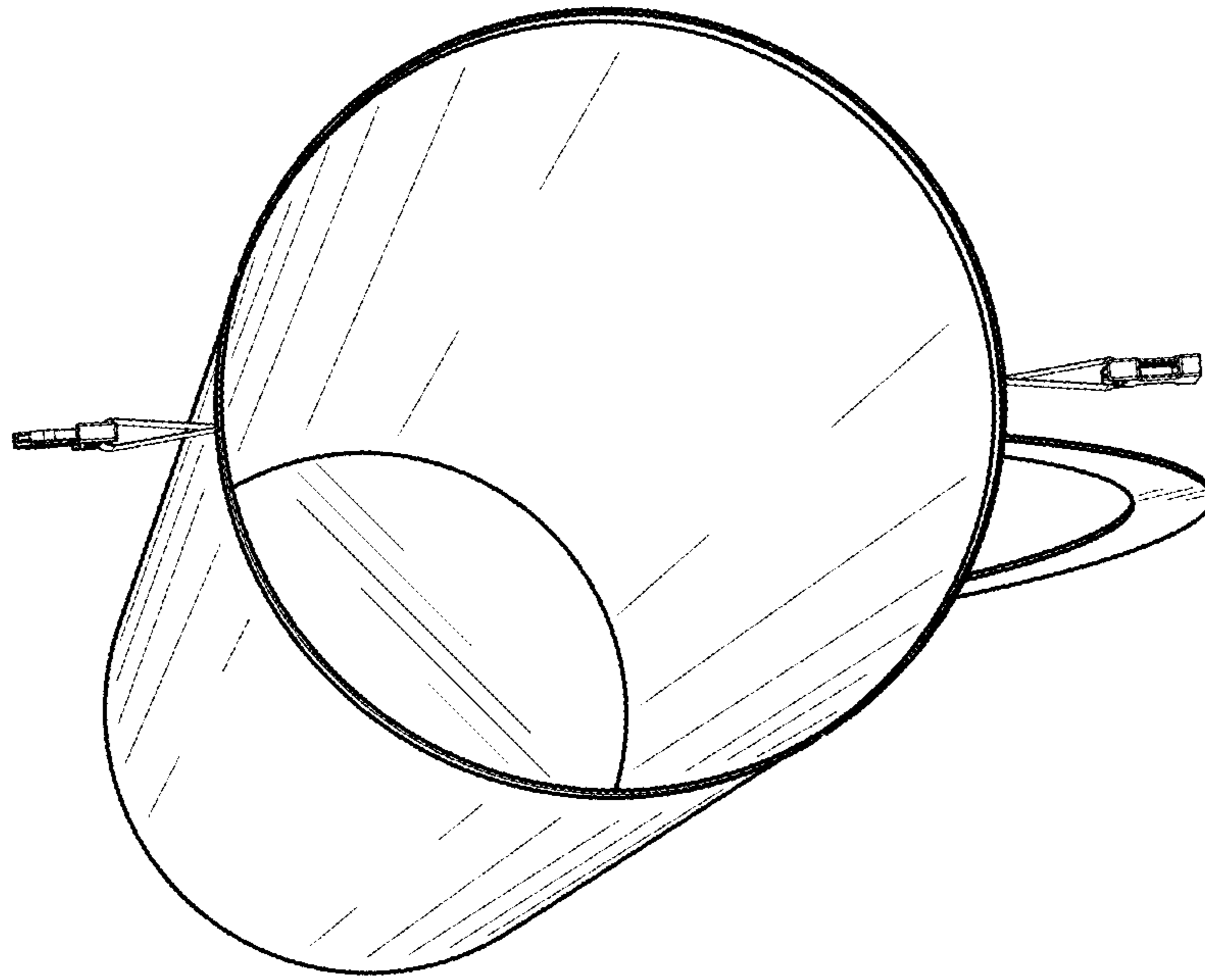


FIG. 8

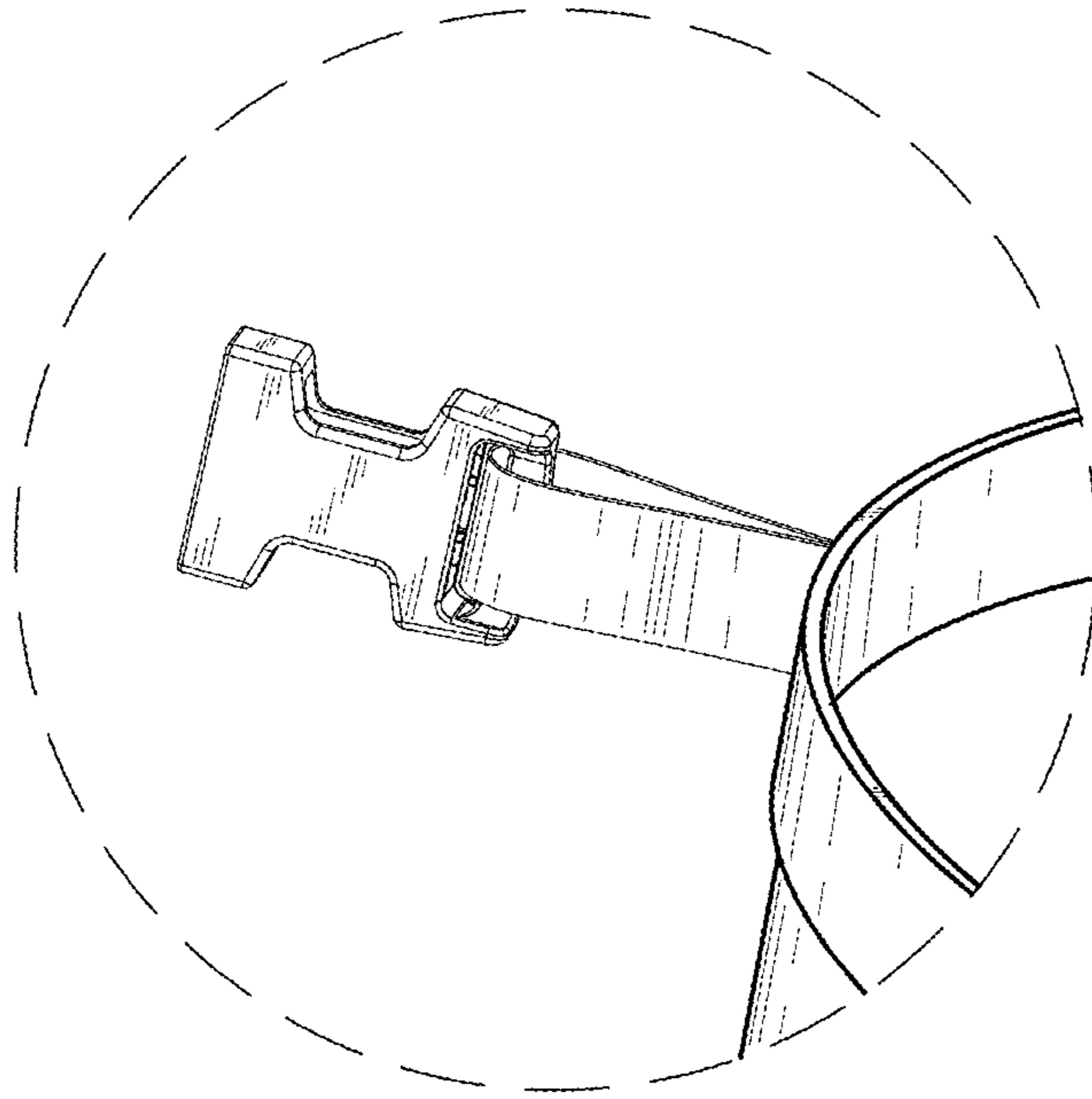


FIG. 9

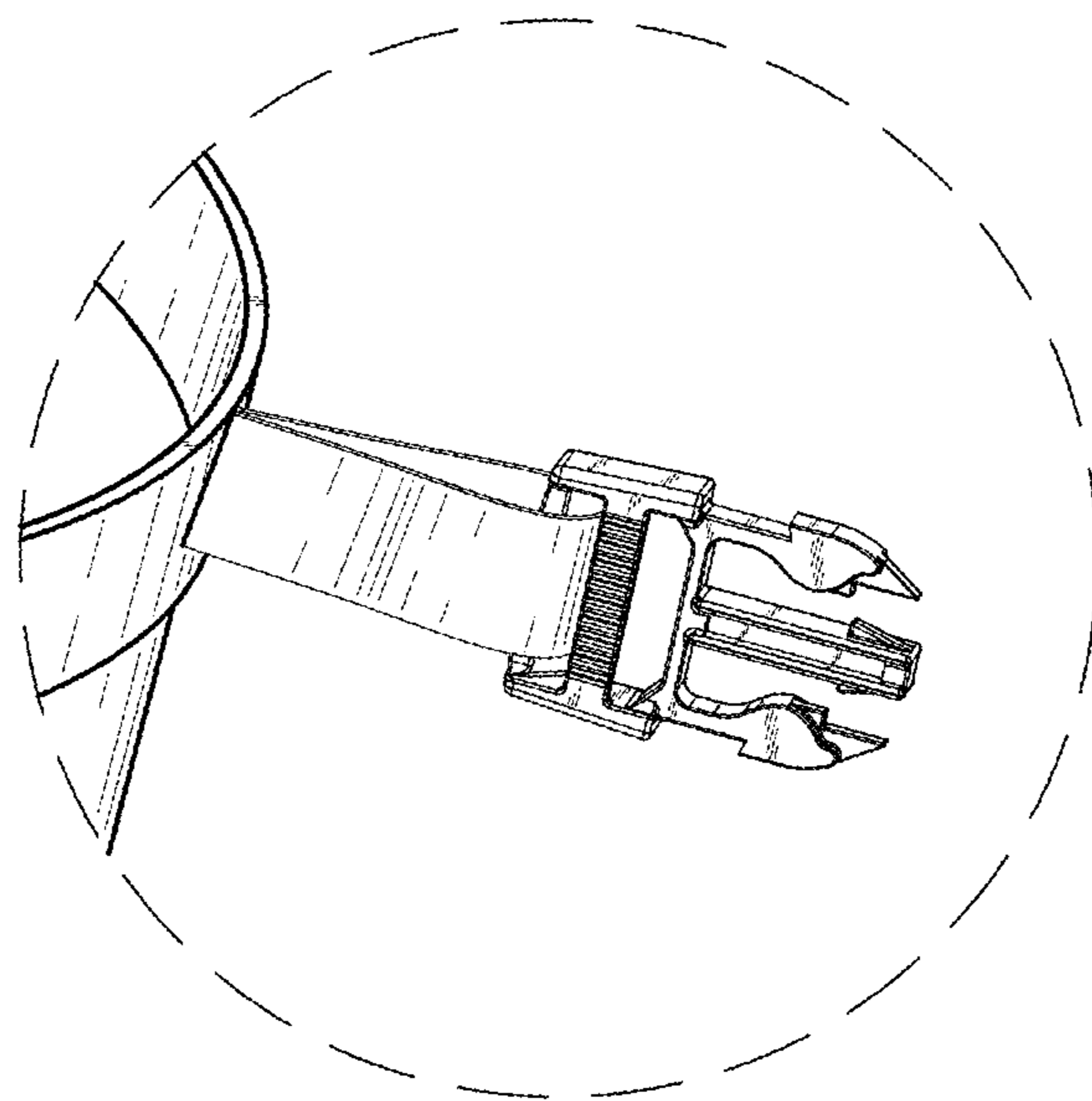


FIG. 10