



US00D939825S

(12) **United States Design Patent** (10) **Patent No.:** **US D939,825 S**  
**Omelchenko et al.** (45) **Date of Patent:** **\*\* Jan. 4, 2022**

(54) **KNIFE CLIP**

(71) Applicants: **Anatoliy Omelchenko**, Brooklyn, NY (US); **Nataliia Omelchenko**, Brooklyn, NY (US)

(72) Inventors: **Anatoliy Omelchenko**, Brooklyn, NY (US); **Nataliia Omelchenko**, Brooklyn, NY (US)

(\*\*) Term: **15 Years**

(21) Appl. No.: **29/731,697**

(22) Filed: **Apr. 17, 2020**

(51) **LOC (13) Cl.** ..... **03-01**

(52) **U.S. Cl.**

USPC ..... **D3/220**; D19/197

(58) **Field of Classification Search**

USPC ..... D2/627, 629, 639; D3/215, 220–226, D3/228–230, 262, 269, 303–304, 318, D3/327–328; D8/71; D22/108–109, D22/117–118, 199; D19/75, 77, 81, D19/84–85, 102, 107, 196–197

CPC .... F41C 33/001; F41C 33/002; F41C 33/003; F41C 33/01; F41C 33/0209; F41C 33/0227; F41C 33/0236; F41C 33/0254; F41C 33/0263; F41C 33/041; F41C 33/043; F41C 33/045; F41C 33/046; F41C 33/048; F41C 33/06; A45F 3/005; A45F 3/02; A45F 3/06; A45F 3/14; A45F 2003/001; A45F 2003/006; A45F 2003/007; A45F 2003/045; A45F 2003/047; A45F 2003/148; A45F 5/00; A45F 5/02; A45F 5/021; A45F 2005/025; A45F 2200/025; A45F 2200/05; A45F 2200/0525; A45F 2200/0508; A45F 2200/0516; A45F 2200/0575; A45F 2200/0591; A45C 11/04; A41F 11/00; A41F 11/16; Y10S 224/911

See application file for complete search history.

(56) **References Cited**

U.S. PATENT DOCUMENTS

D354,677 S *	1/1995	Troyer .....	D26/138
D383,826 S *	9/1997	Weigand .....	D22/109
D428,918 S *	8/2000	Mittersinker .....	D19/197
D564,028 S *	3/2008	Cetera .....	D19/197
D570,415 S *	6/2008	Richter .....	D19/197
D586,398 S *	2/2009	Cheng .....	D19/197
D706,105 S *	6/2014	Wu .....	D8/85
D713,921 S *	9/2014	Williams .....	D22/109
D789,681 S *	6/2017	Grisamore .....	D3/215
D789,778 S *	6/2017	White, Sr. ....	D8/396
D795,378 S *	8/2017	Huang .....	D22/108

(Continued)

OTHER PUBLICATIONS

Pokka Clip, unknown first available date, pokkapens.com [online], [site visited Sep. 21, 2021], Available at internet URL: <https://pokkapens.com/products/pokka-clip> (Year: 2021).\*

(Continued)

*Primary Examiner* — Jeffrey D Asch

*Assistant Examiner* — Caitlin A Laverty

(74) *Attorney, Agent, or Firm* — Larson & Larson, P.A.; Justin P. Miller; Frank Liebenow

(57) **CLAIM**

We claim the ornamental design for a knife clip, as shown and described.

**DESCRIPTION**

FIG. 1 is a perspective view of a knife clip showing our new design;

FIG. 2 is a front elevation view thereof;

FIG. 3 is a back elevation thereof;

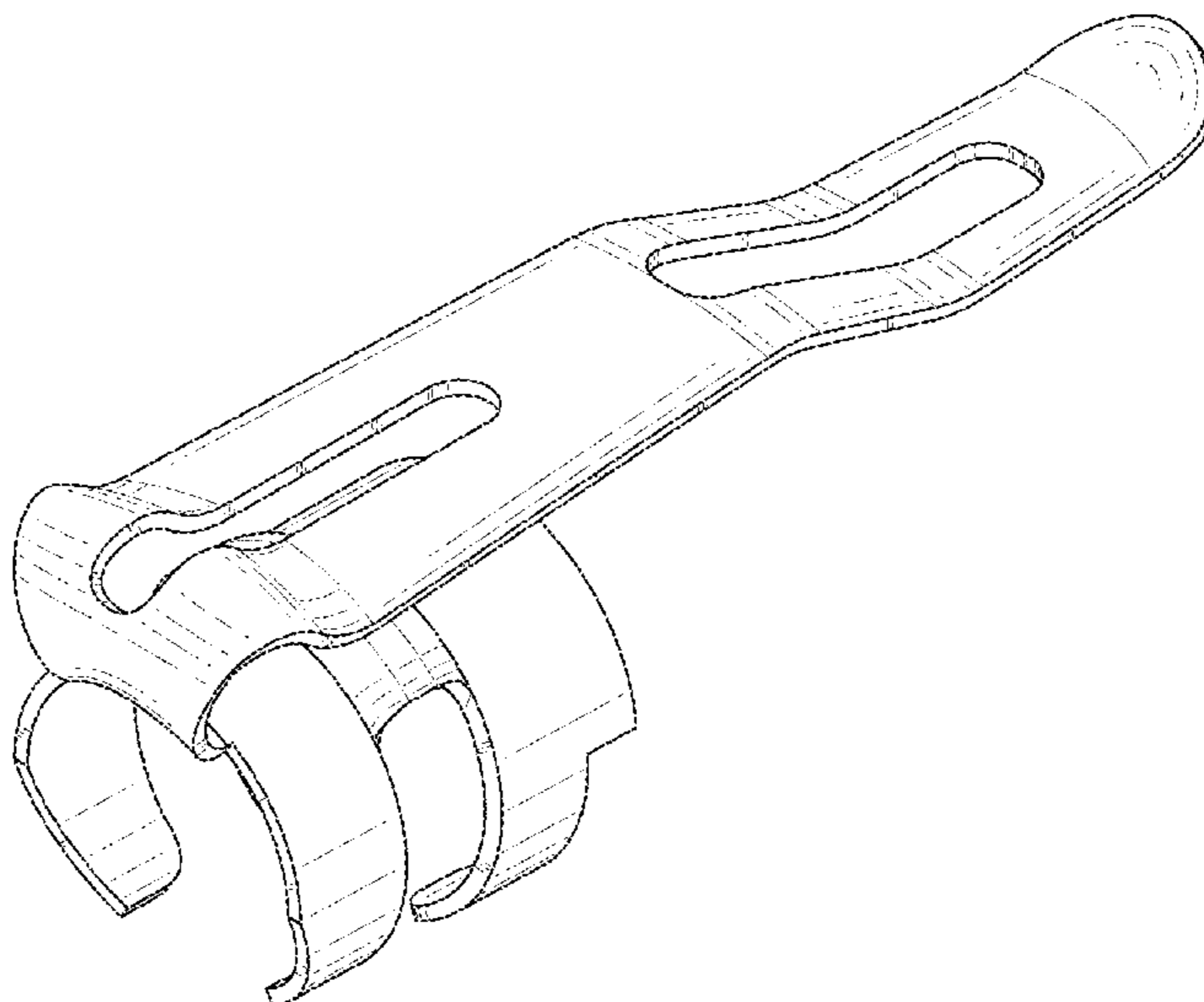
FIG. 4 is a left-side elevation view thereof;

FIG. 5 is a top plan view thereof; and,

FIG. 6 is a bottom plan view thereof.

The broken lines in the drawing show portions of the knife clip and form no part of the claimed design.

**1 Claim, 5 Drawing Sheets**



(56)

**References Cited**

U.S. PATENT DOCUMENTS

D823,596 S \* 7/2018 Grisamore ..... D3/215  
2006/0208019 A1 \* 9/2006 Rush ..... A45F 5/00  
224/271  
2007/0045364 A1 \* 3/2007 Grundy ..... A45F 5/02  
224/197

OTHER PUBLICATIONS

Kaweco Sport Octagonal Clip Chrome, first available Oct. 23, 2012, amazon.com [online], [site visited Sep. 21, 2021], Available at internet URL: <https://www.amazon.com/dp/B0075SA1VI>(Year: 2012).\*

O-Clip. Removable Pocket Clip for Opinel (R) Knife, first available Aug. 27, 2020, triangetree.com [online], [site visited Sep. 21, 2021], Available at internet URL: <https://triangetree.com/product/o-clip-removable-pocket-clip-for-opinel-knife/> (Year: 2020).\*

\* cited by examiner

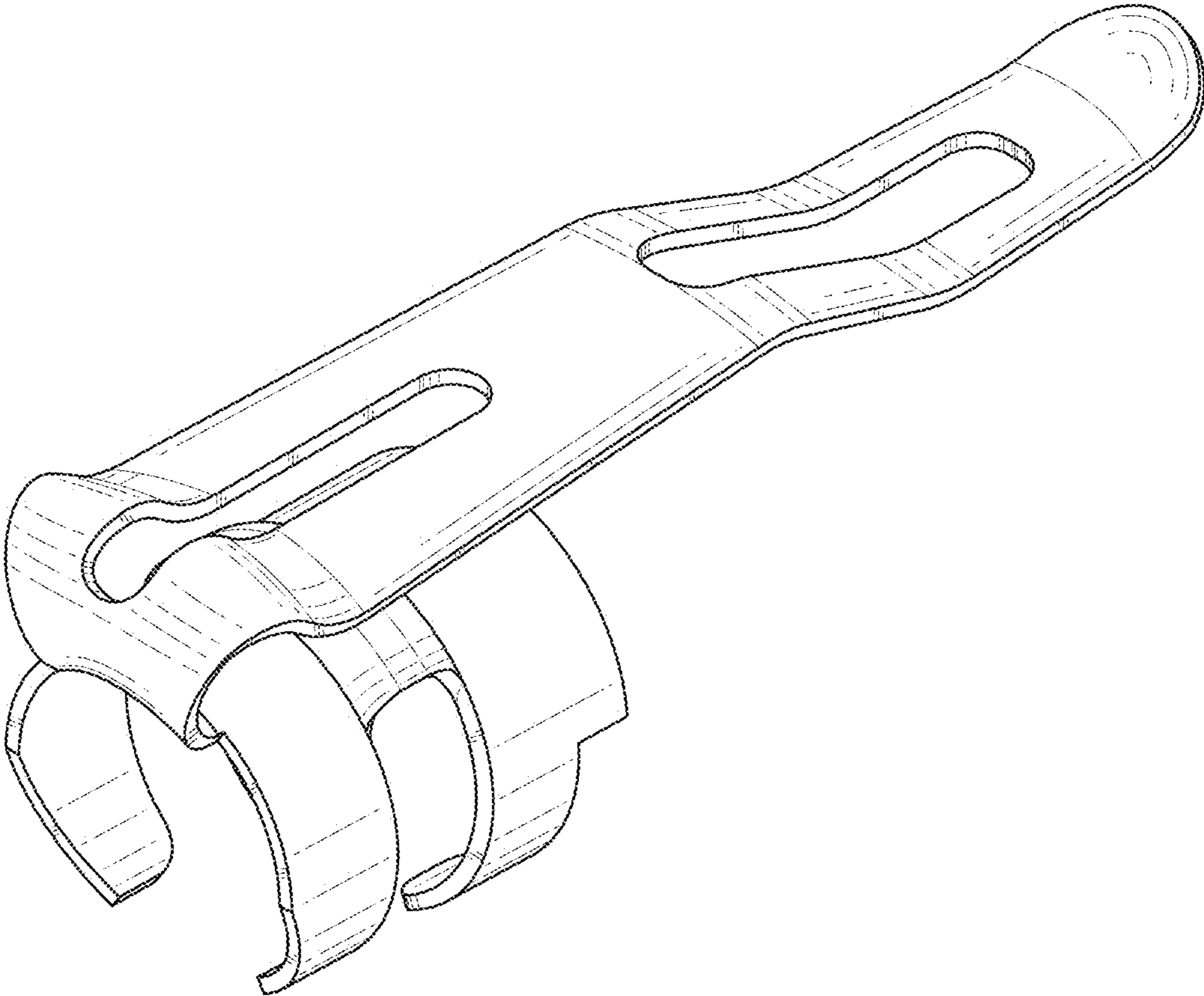


FIG. 1

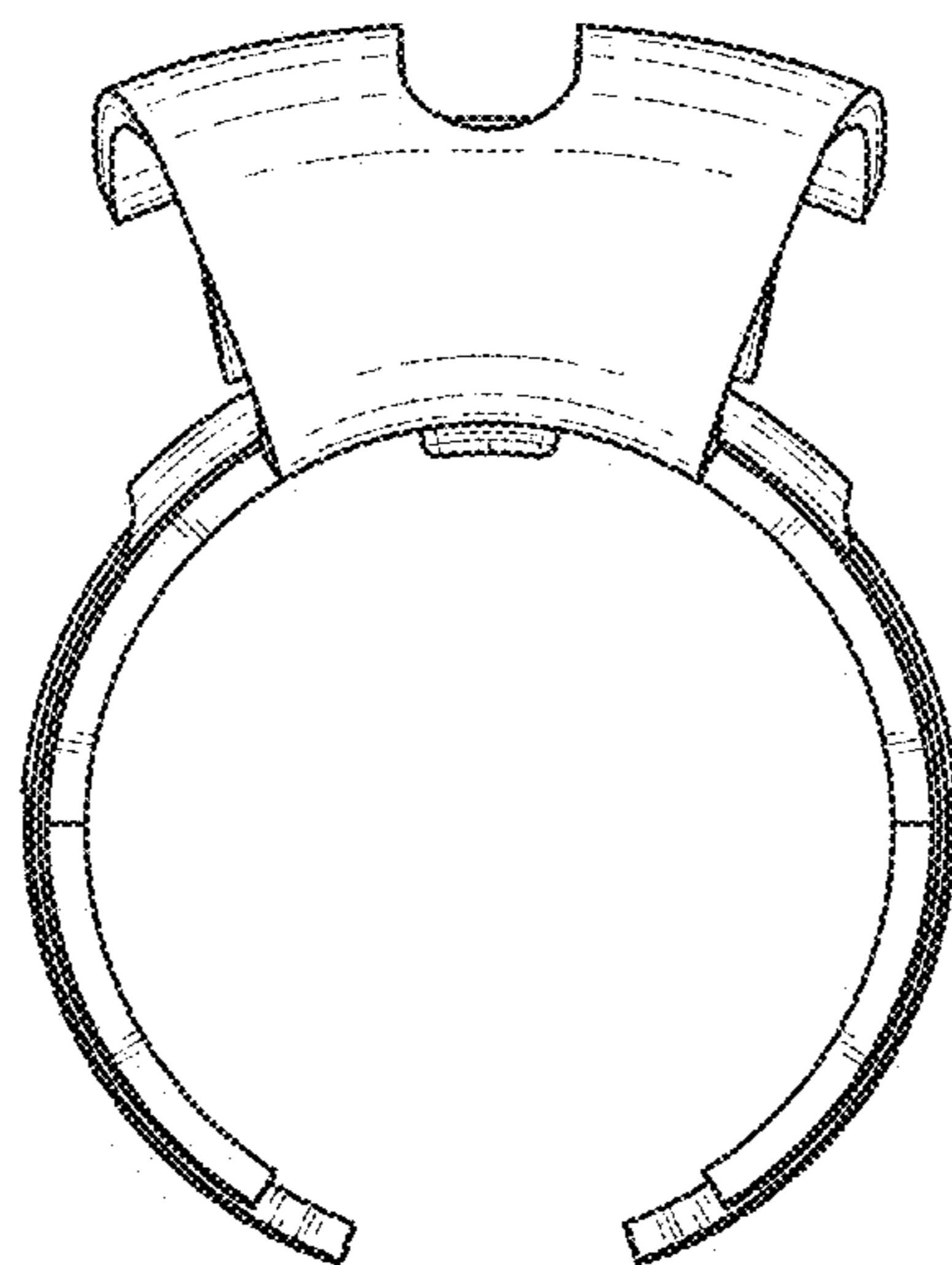


FIG. 2

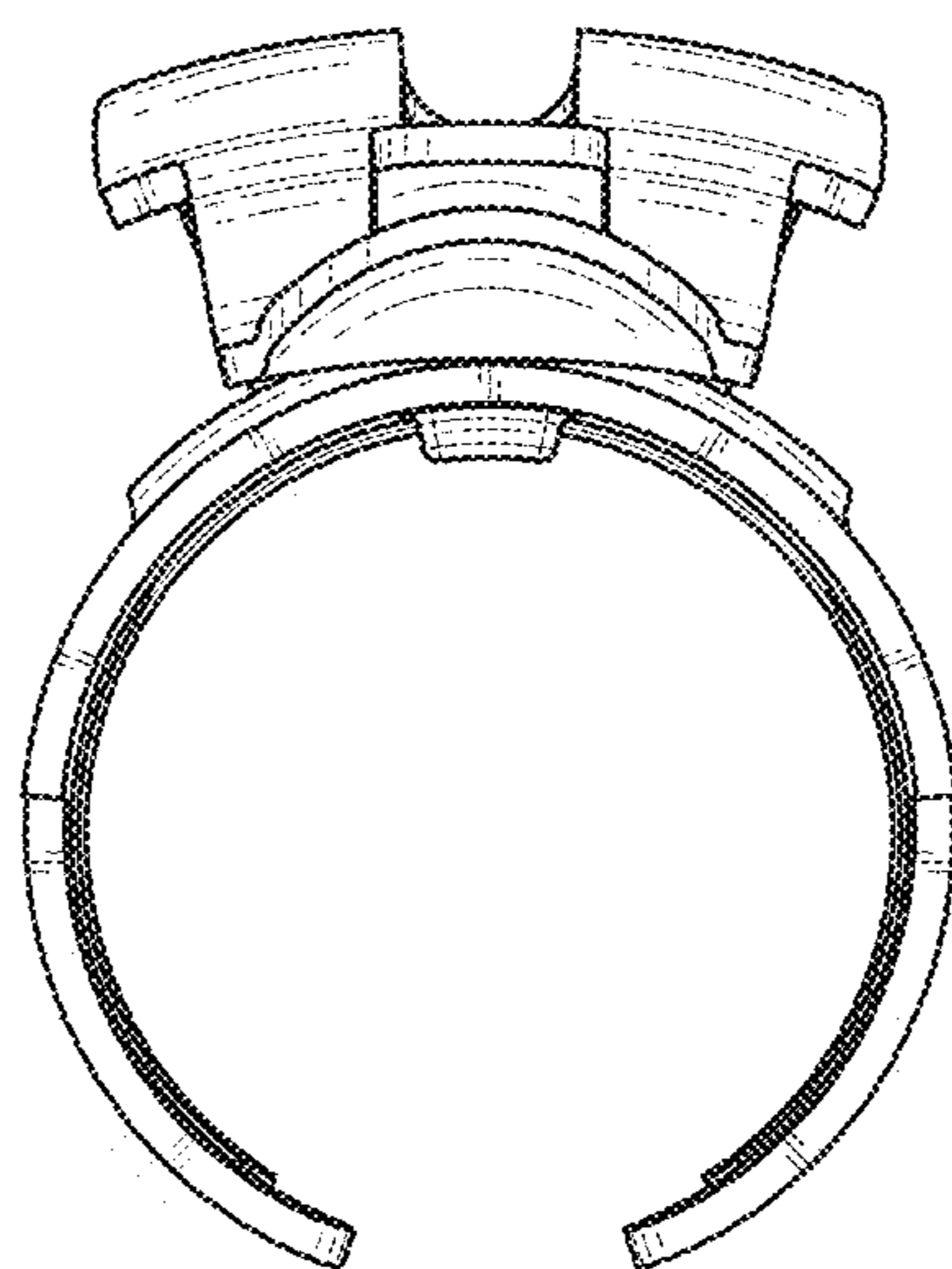


FIG. 3

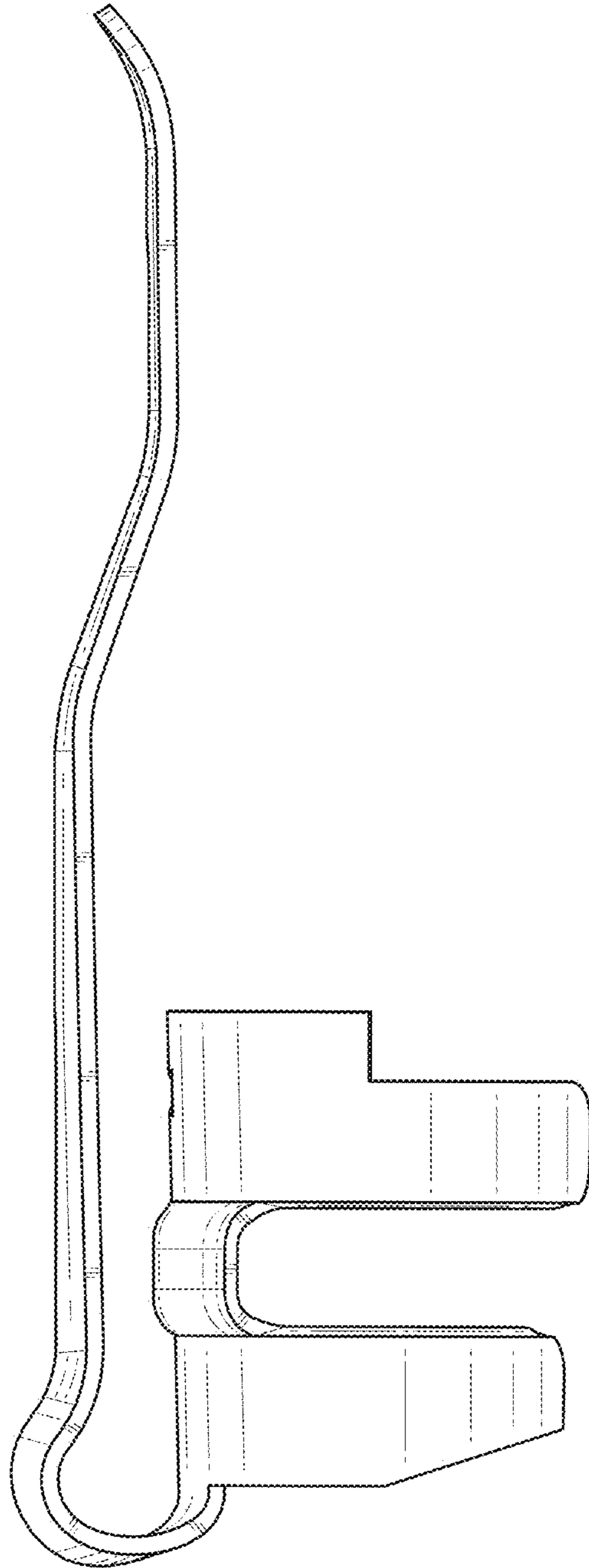


FIG. 4

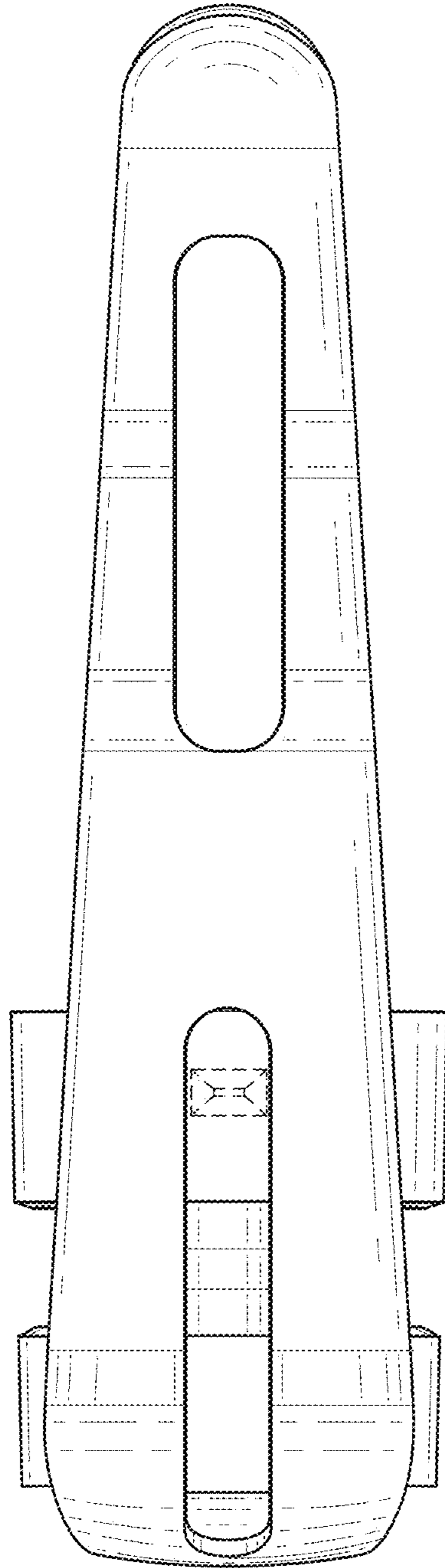


FIG. 5

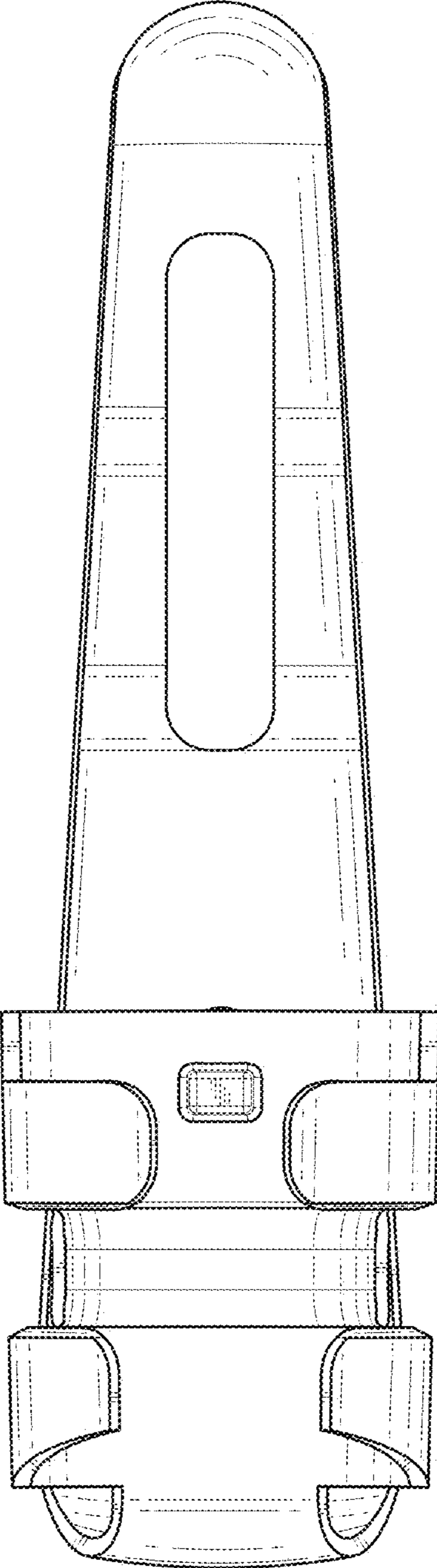


FIG. 6