



US00D939822S

(12) **United States Design Patent**  
**Cloward**

(10) **Patent No.:** **US D939,822 S**  
(45) **Date of Patent:** **\*\* Jan. 4, 2022**

- (54) **SEAM RIPPER**
- (71) Applicant: **Cindy L. Cloward**, Alpine, UT (US)
- (72) Inventor: **Cindy L. Cloward**, Alpine, UT (US)
- (\*\*) Term: **15 Years**
- (21) Appl. No.: **29/727,338**
- (22) Filed: **Mar. 10, 2020**
- (51) **LOC (13) Cl.** ..... **03-01**
- (52) **U.S. Cl.**  
USPC ..... **D3/18**
- (58) **Field of Classification Search**  
USPC ..... D3/18, 20, 28; D15/77, 78  
CPC ..... A41H 31/005; B26B 1/08; B26B 29/02;  
B26B 5/005; D05B 89/00; D05B 37/04  
See application file for complete search history.

- 6,240,645 B1 \* 6/2001 Ozeki ..... A41H 31/005  
30/240
- 9,402,644 B2 \* 8/2016 Racenet ..... A61B 17/320016
- D792,705 S \* 7/2017 Farnum ..... D3/18
- D820,582 S \* 6/2018 Farnum ..... B26B 11/00  
D3/18
- 10,092,052 B2 \* 10/2018 Farnum ..... A41H 31/005
- 10,219,567 B2 \* 3/2019 Farnum ..... D05B 89/00
- 10,427,310 B2 \* 10/2019 Scimone ..... A41H 31/005
- D877,487 S \* 3/2020 Iwasaki ..... A41H 31/005  
D3/18
- 10,729,198 B2 \* 8/2020 Iwasaki ..... B26B 1/08
- 2005/0193568 A1 \* 9/2005 Peyrot ..... B26B 29/02  
30/162
- 2005/0262704 A1 \* 12/2005 DiSanto ..... A41H 31/005  
30/289

(Continued)

*Primary Examiner* — Steven J Czyz  
(74) *Attorney, Agent, or Firm* — Terrence J. Edwards;  
TechLaw Ventures, PLLC

(56) **References Cited**

U.S. PATENT DOCUMENTS

- 2,764,814 A \* 10/1956 Jecker ..... A41H 31/005  
30/294
- 3,100,935 A \* 8/1963 Leafe ..... B26B 27/00  
30/294
- D222,660 S \* 11/1971 Miles et al. .... D8/61
- D225,700 S \* 1/1973 Ament et al. .... D3/18
- D225,701 S \* 1/1973 Ament et al. .... D3/18
- 3,972,117 A \* 8/1976 Fogg ..... A41H 31/005  
30/287
- 4,175,498 A \* 11/1979 Walters ..... D05B 89/00  
112/129
- 4,510,688 A \* 4/1985 White ..... A41H 31/005  
30/294
- D296,042 S \* 6/1988 Lee ..... D3/18
- D351,059 S \* 10/1994 Kahlcke ..... A61B 17/3213  
D3/18
- 5,896,667 A \* 4/1999 Hawkins ..... B26B 1/00  
30/294
- D418,672 S \* 1/2000 Mobbs ..... A41H 31/005  
D3/18

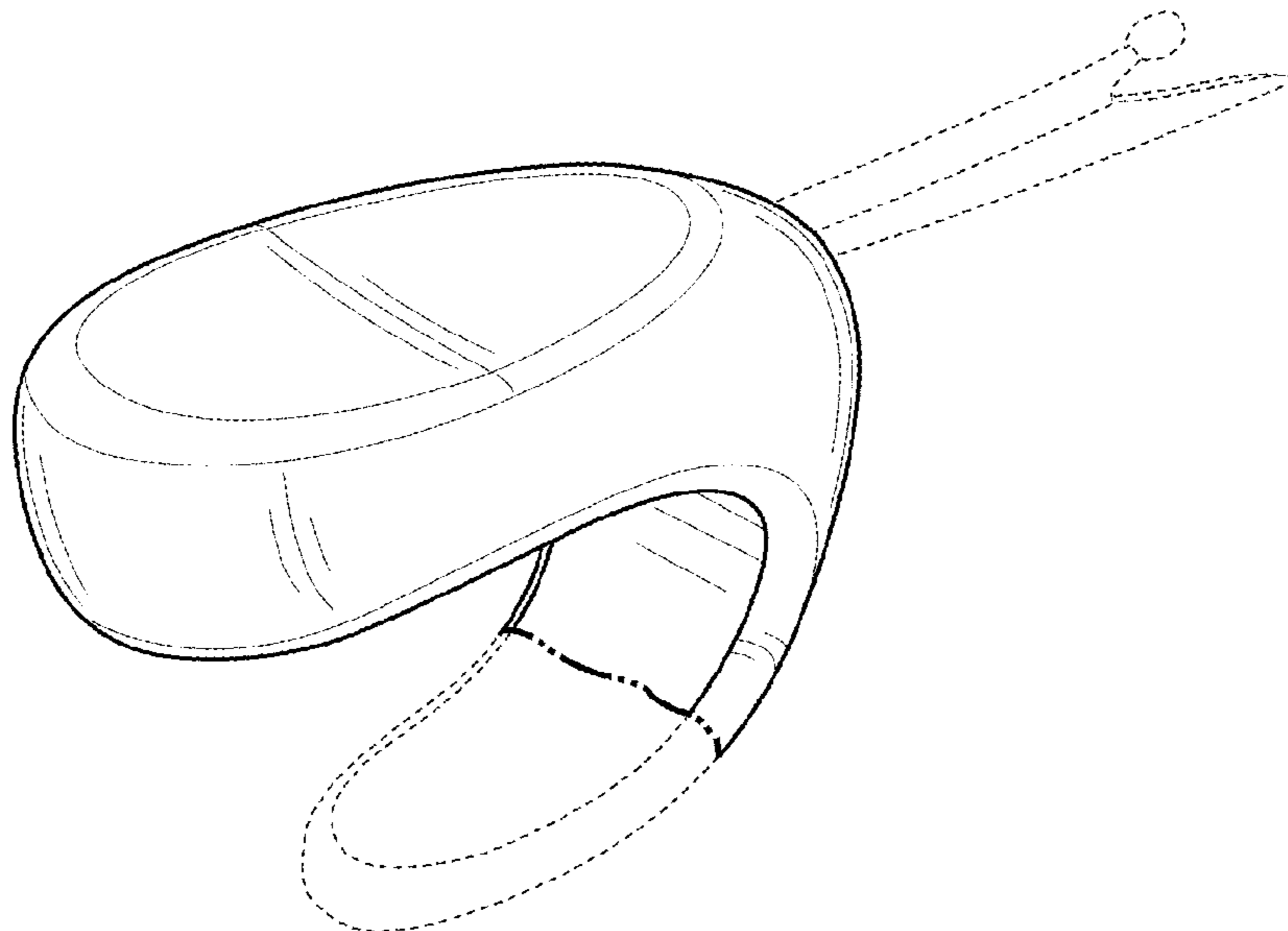
(57) **CLAIM**

I claim the ornamental design for a seam ripper, as shown and described.

**DESCRIPTION**

FIG. 1 is a top perspective view of a seam ripper;  
FIG. 2 is a top view thereof;  
FIG. 3 is a bottom view thereof;  
FIG. 4 is a side view thereof;  
FIG. 5 is a side view thereof;  
FIG. 6 is a front view thereof;  
FIG. 7 is a rear view thereof; and,  
FIG. 8 is a bottom perspective view thereof.  
In the drawings, the evenly-spaced broken lines depict portions of the article that form no part of the claimed design; the dot-dot-dash lines represent the boundary of the claimed design and forms no part thereof.

**1 Claim, 4 Drawing Sheets**



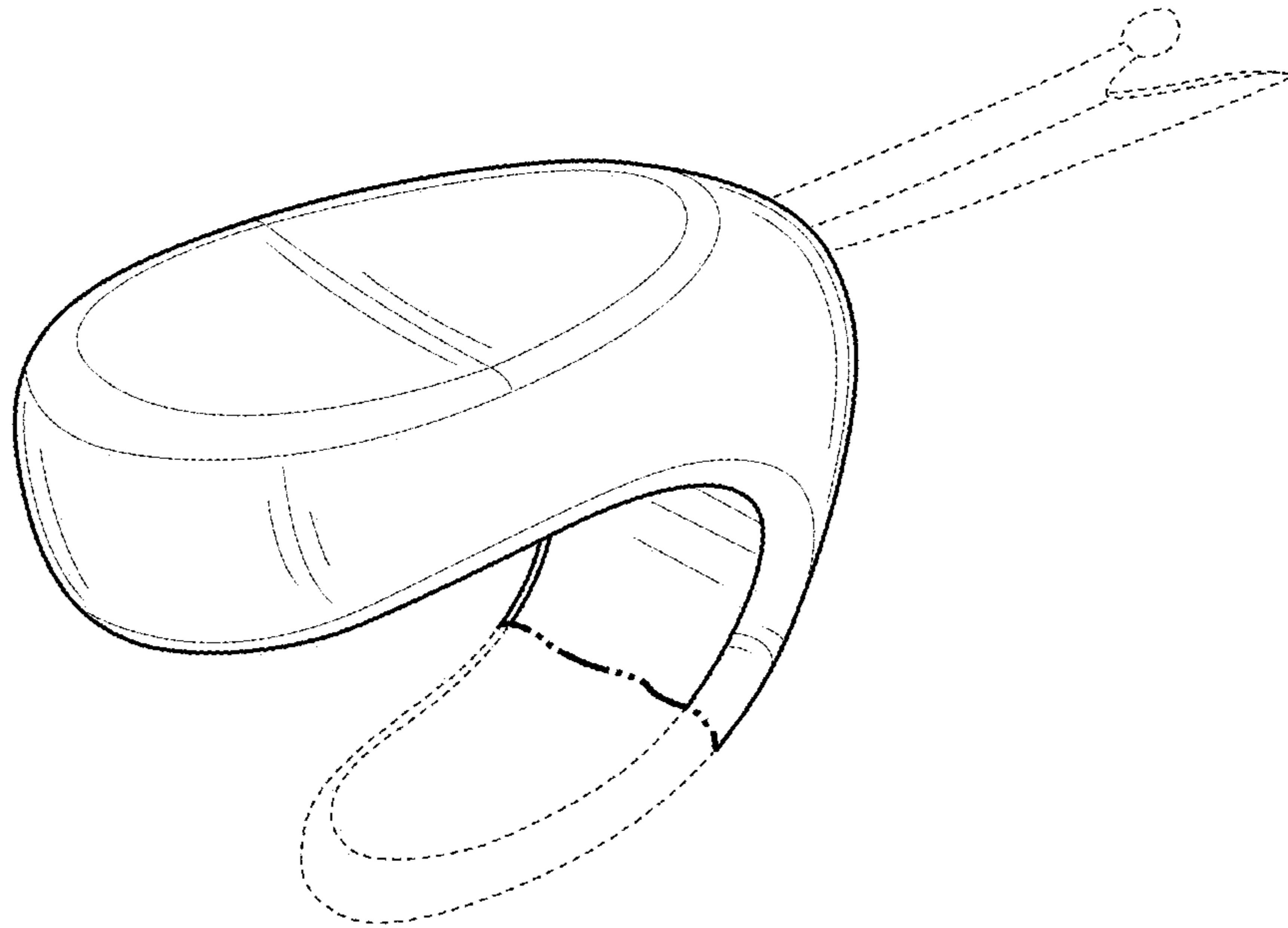
(56)

**References Cited**

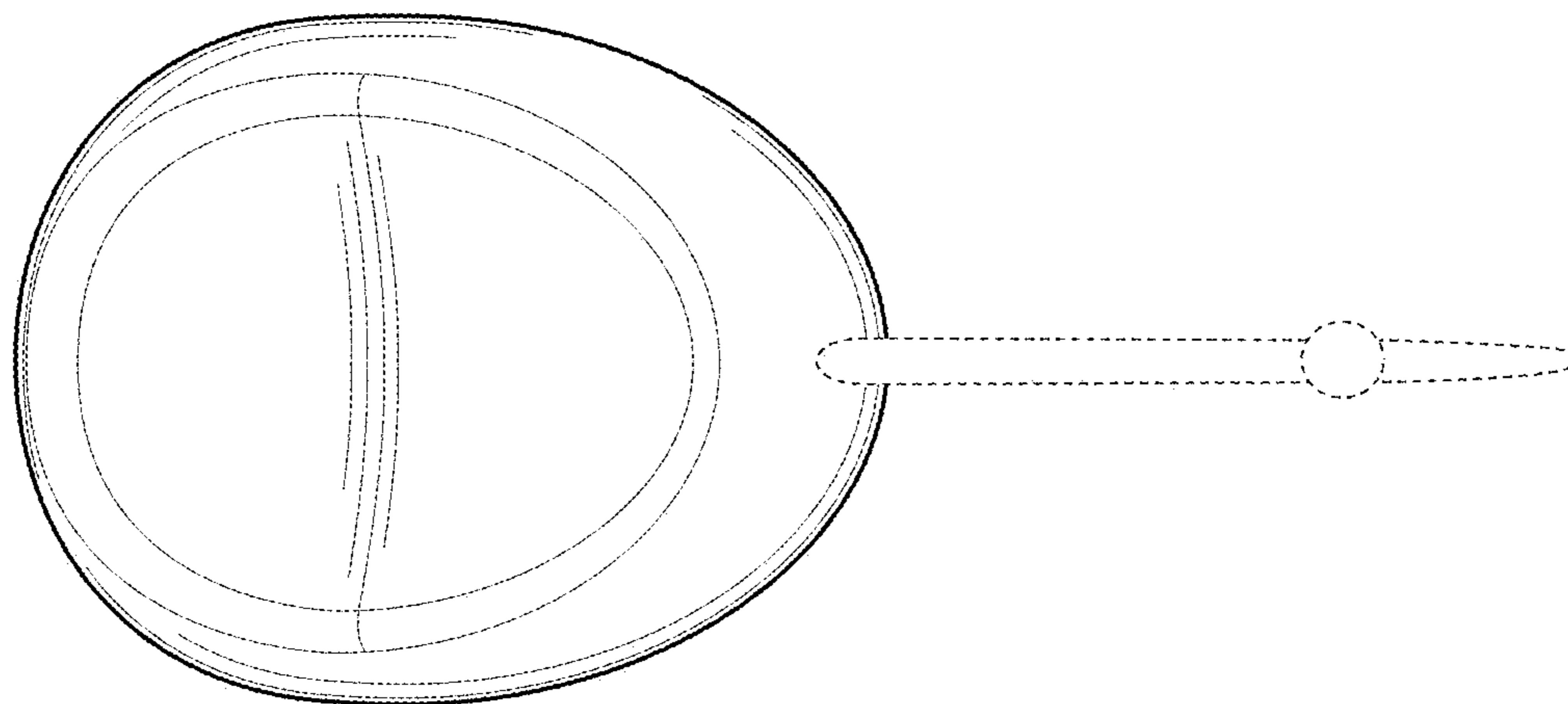
U.S. PATENT DOCUMENTS

2007/0125398 A1\* 6/2007 Johnson ..... A45D 2/00  
132/200  
2008/0235954 A1\* 10/2008 Radle ..... B26B 11/00  
30/152  
2014/0182140 A1\* 7/2014 Rosenhan ..... A61B 17/3213  
30/162  
2014/0277042 A1\* 9/2014 Racenet ..... A61B 17/320016  
606/170  
2017/0099903 A1\* 4/2017 Farnum ..... F21V 33/0084  
2017/0099904 A1\* 4/2017 Farnum ..... A41H 31/00

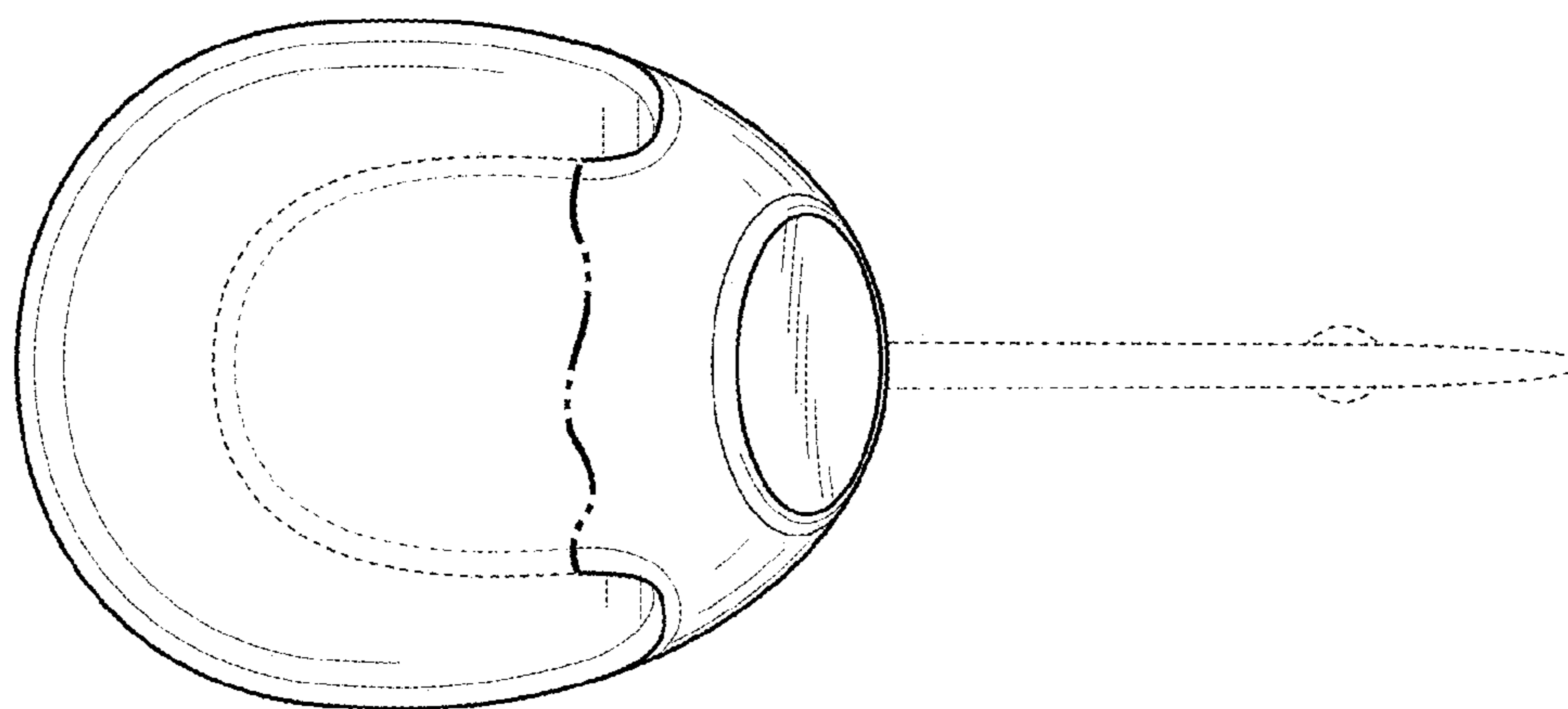
\* cited by examiner



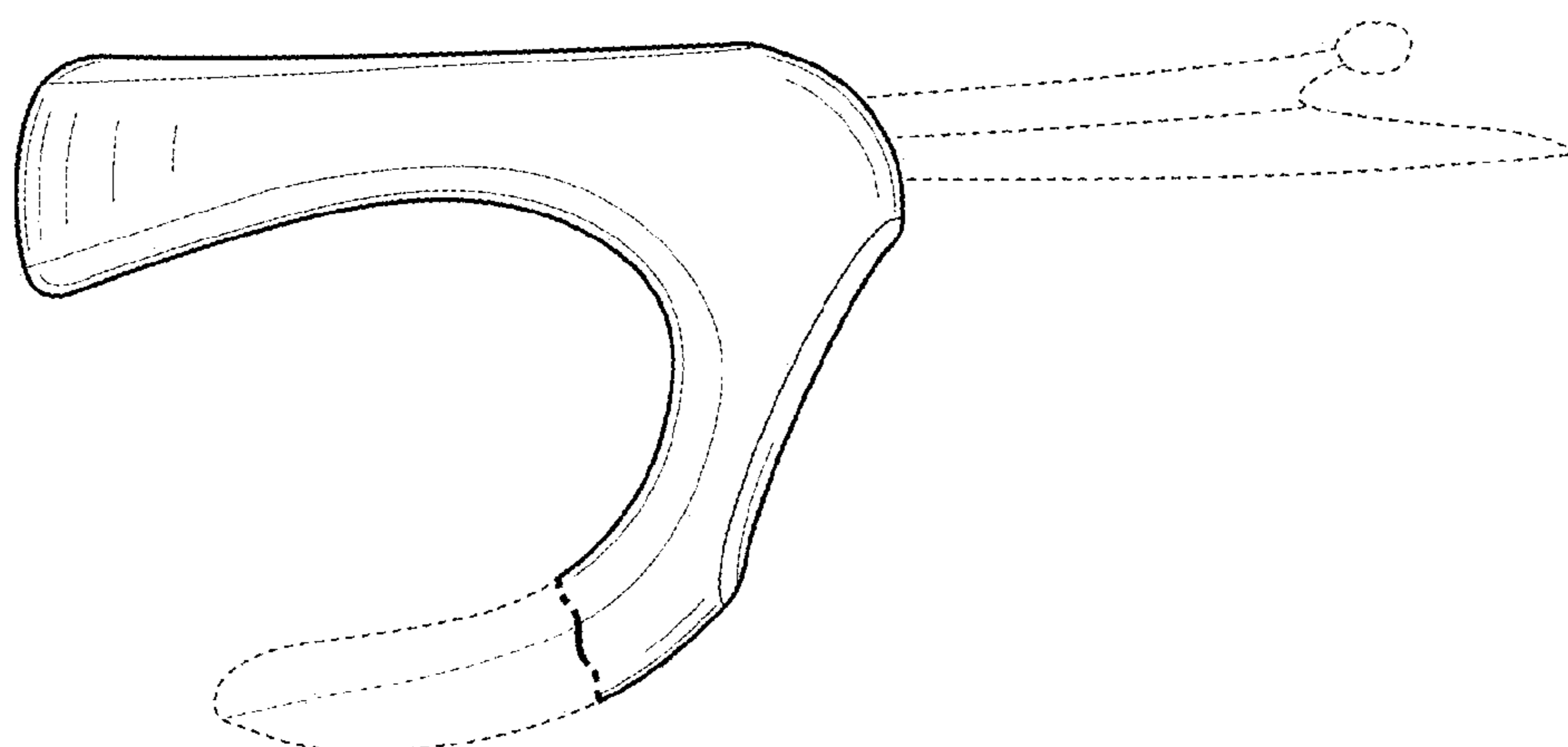
**FIG. 1**



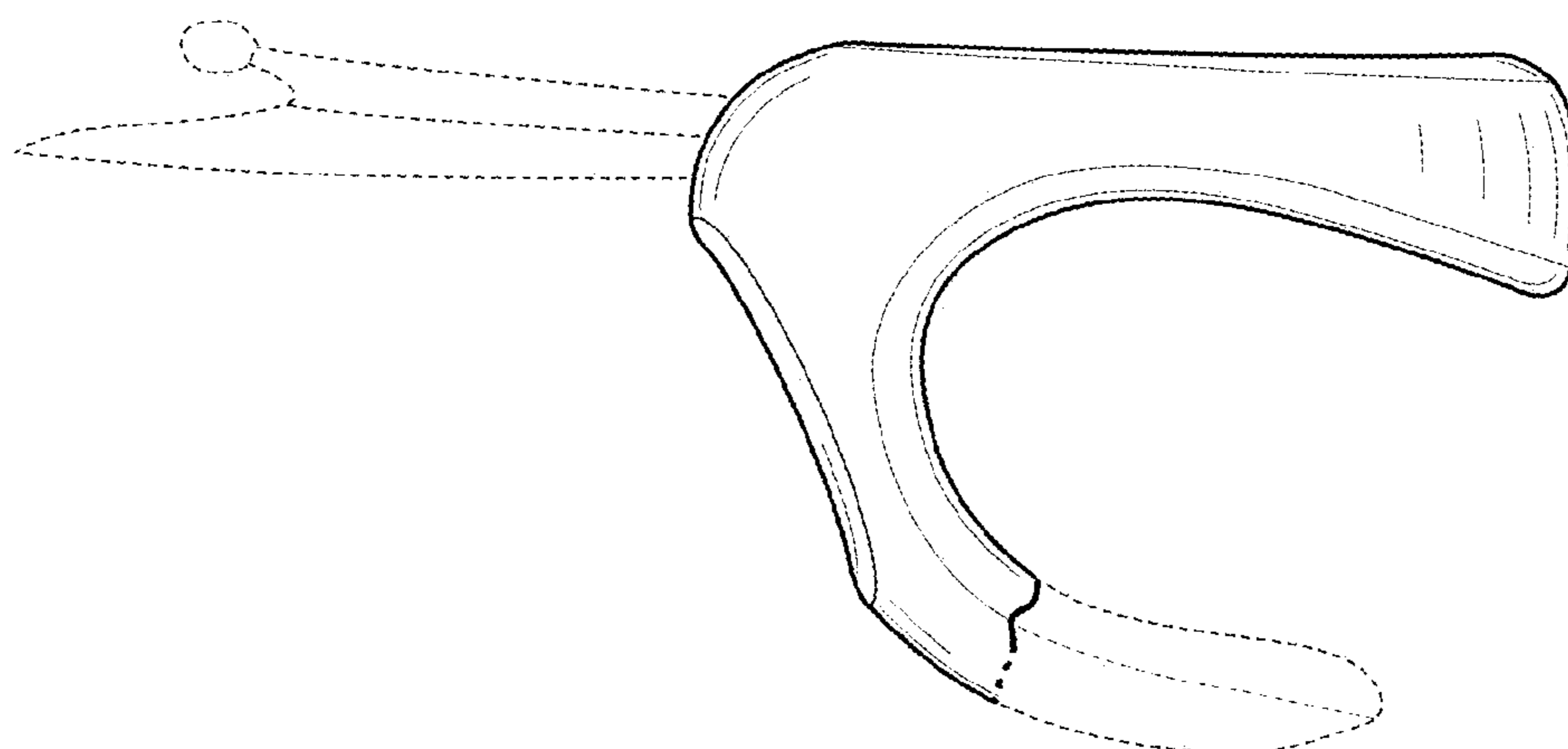
**FIG. 2**



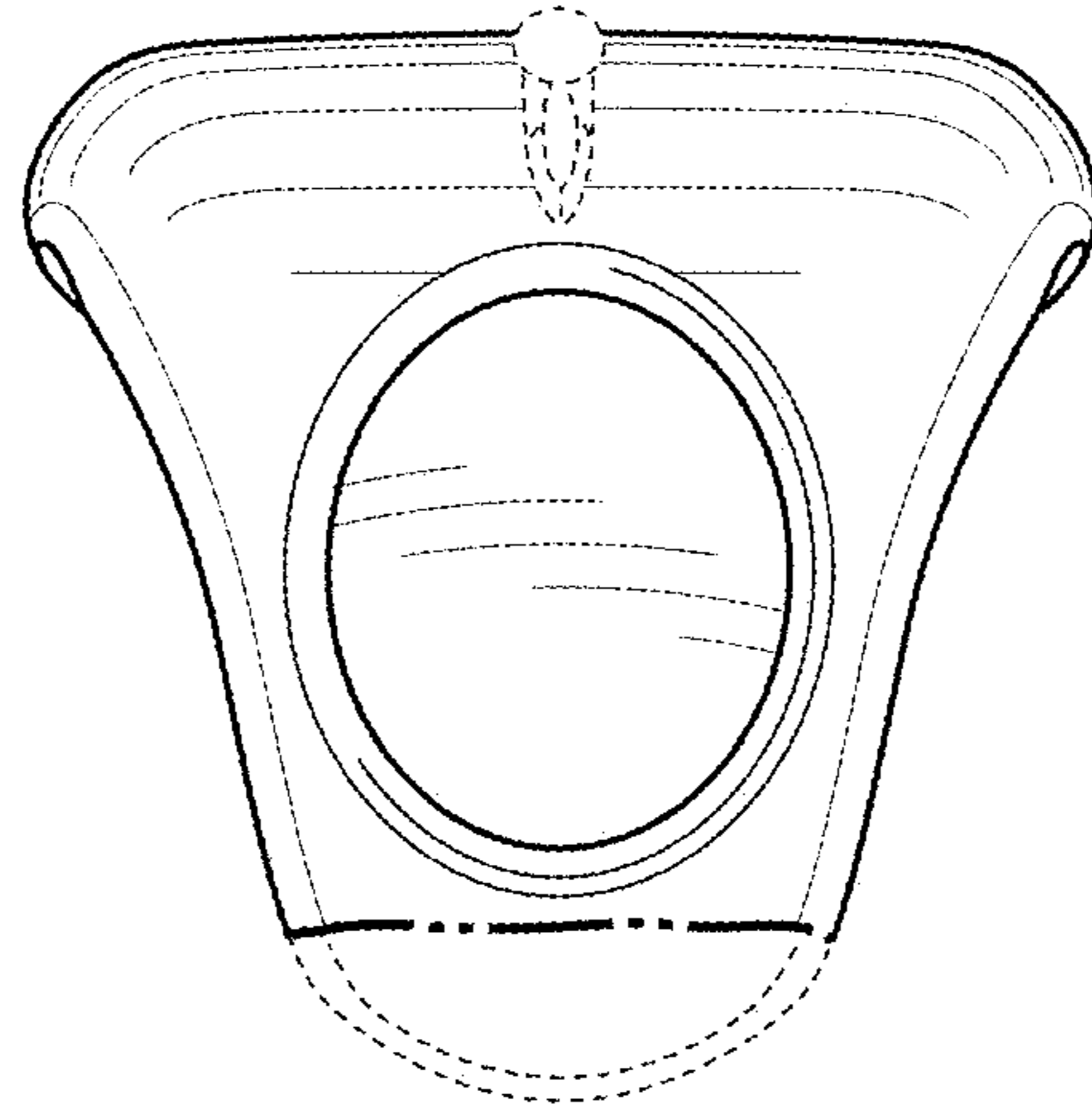
**FIG. 3**



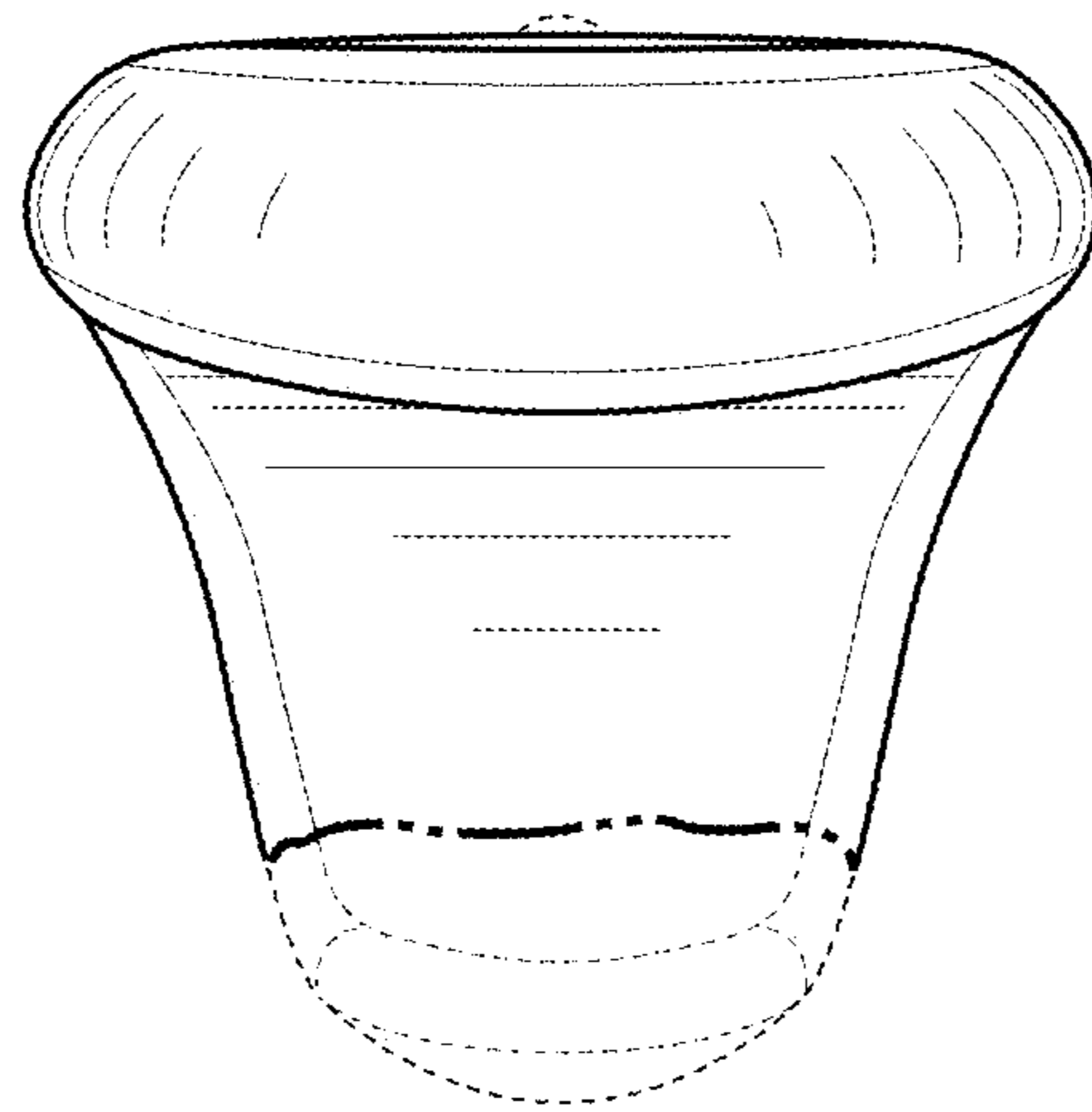
**FIG. 4**



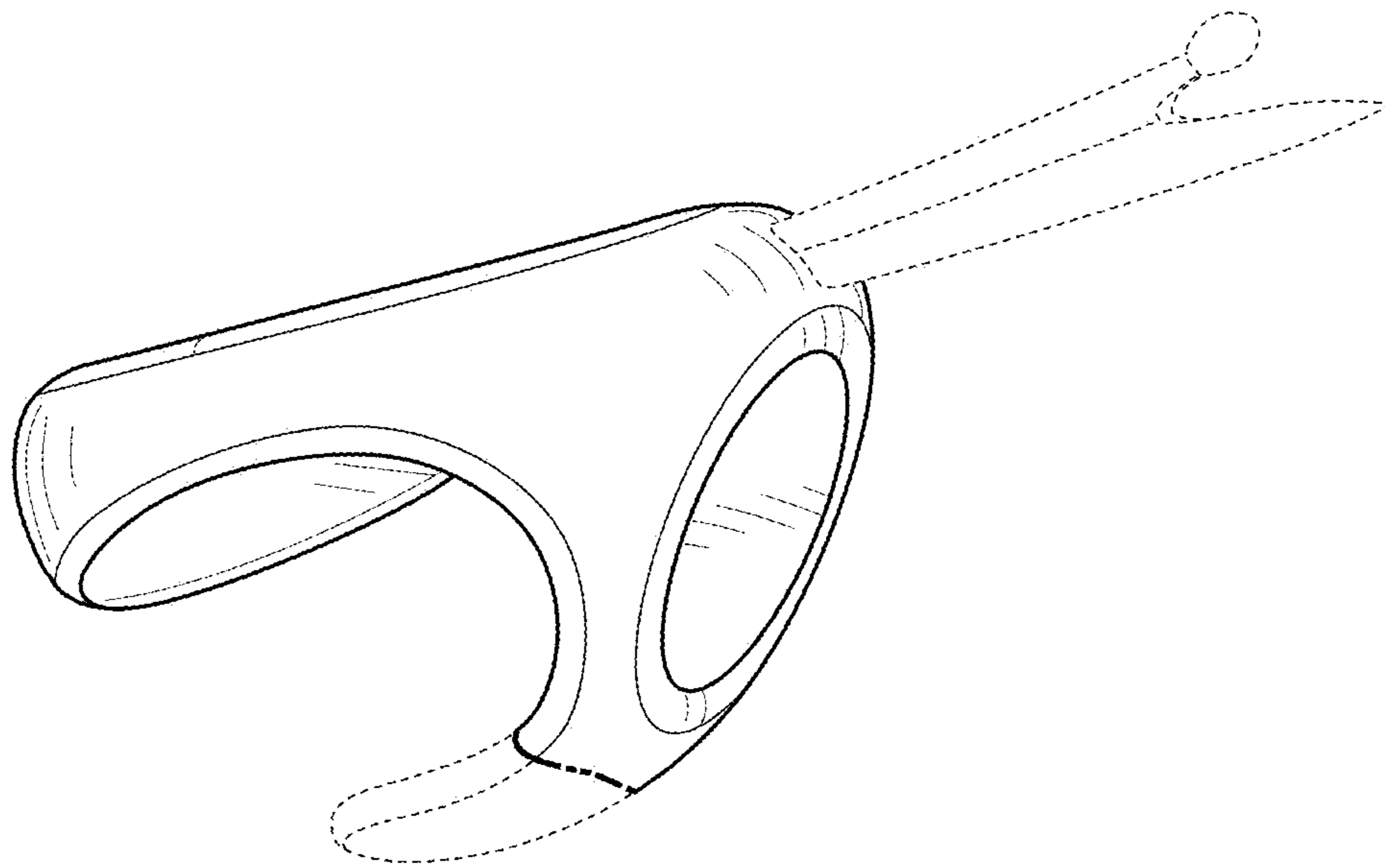
**FIG. 5**



**FIG. 6**



**FIG. 7**



**FIG. 8**