

US00D939819S

(12) **United States Design Patent**
Viti

(10) **Patent No.:** **US D939,819 S**

(45) **Date of Patent:** **** Jan. 4, 2022**

(54) **ORNAMENT**

(71) Applicant: **LOUIS VUITTON MALLETIER**,
Paris (FR)

(72) Inventor: **Fabrizio Viti**, Paris (FR)

(73) Assignee: **Louis Vuitton Malletier**, Paris (FR)

(**) Term: **15 Years**

(21) Appl. No.: **29/729,556**

(22) Filed: **Mar. 27, 2020**

(30) **Foreign Application Priority Data**

Sep. 30, 2019 (FR) 2019-4261

(51) **LOC (13) Cl.** **02-04**

(52) **U.S. Cl.**
USPC **D2/976; D2/975**

(58) **Field of Classification Search**

USPC D2/896, 897, 907, 916-919, 923-931,
D2/939, 941, 943, 946, 969, 971, 972,
D2/974-976, 978, 639, 853, 895
CPC A43C 11/00; A43C 11/20; A43C 11/24;
A43B 23/00; A43B 23/02; A43B 23/24;
A43B 23/25; A43B 1/0036; A43B
1/0054; A43B 1/0081; A43B 1/08; A43B
1/14; A43B 3/0031; A43B 3/0078; A43B
3/0081; A43B 3/126; A44C 5/00; A44C
5/12; A44C 5/14

See application file for complete search history.

(56) **References Cited**

U.S. PATENT DOCUMENTS

895,522 A * 8/1908 Weil A43B 3/0078
2/245
1,053,974 A * 2/1913 Cohen A43B 23/02
36/45

1,333,466 A * 3/1920 Colby A43B 23/24
2/245
D82,698 S * 12/1930 Riker D2/976
D83,070 S * 1/1931 Smith D2/976
D175,134 S * 7/1955 Silver D2/972
4,897,947 A * 2/1990 Kass-Pious A43B 3/0031
206/232
5,566,477 A * 10/1996 Mathis A43B 3/0078
36/100
D536,281 S * 2/2007 Mouquet D11/234
D543,678 S * 6/2007 Boas D11/200
D549,439 S * 8/2007 Campbell D2/946
D557,007 S * 12/2007 Della Valle D2/976
D571,097 S * 6/2008 Della Valle D2/946
D640,448 S * 6/2011 Aurum D2/639
D662,691 S * 7/2012 Jeter, Jr. A43B 23/24
D2/853
D676,645 S * 2/2013 Avar D2/972
D707,026 S * 6/2014 Michetti D2/972
D747,082 S * 1/2016 Lan D2/946

(Continued)

Primary Examiner — Elizabeth J Oswecki

Assistant Examiner — Yelizaveta Y Masalimova

(74) *Attorney, Agent, or Firm* — Fross Zelnick Lehrman
& Zissu, P.C.; Charles T. J. Weigell, Esq.

(57) **CLAIM**

The ornamental design for an ornament, as shown and described.

DESCRIPTION

FIG. 1 is a perspective view of an ornament showing my new design;

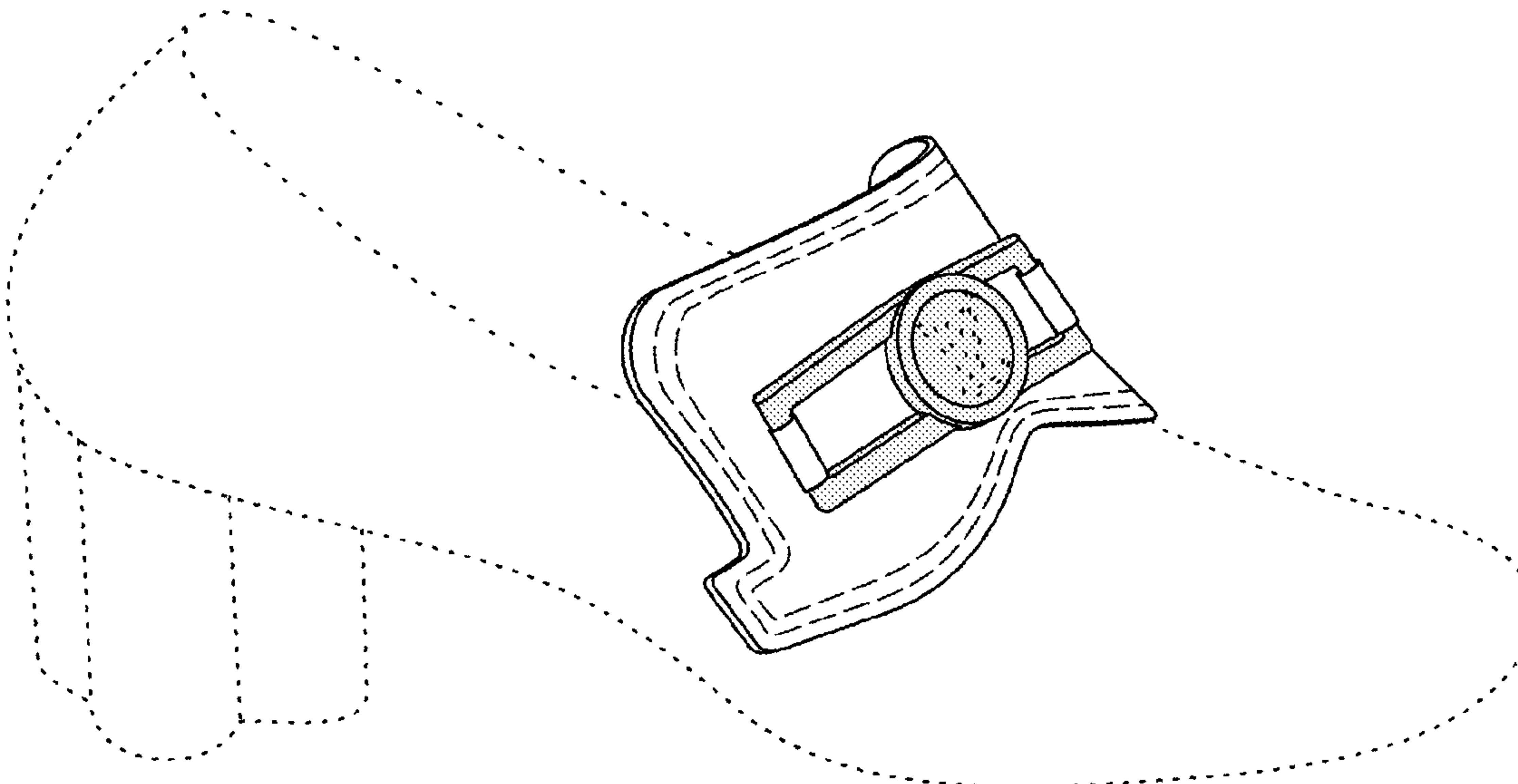
FIG. 2 is a front view thereof;

FIG. 3 is a right side view thereof, with the left side being a mirror image thereof; and,

FIG. 4 is a back view thereof.

The broken line showing of portions in the drawings depicts unclaimed subject matter. Those portions of the design not shown in the drawings and/or not described otherwise herein are not claimed.

1 Claim, 4 Drawing Sheets



(56)

References Cited

U.S. PATENT DOCUMENTS

D856,161 S * 8/2019 Bressan D10/38
D900,438 S * 11/2020 Sassi D2/912
2005/0039345 A1* 2/2005 Jones A43C 7/02
36/11.5
2005/0066550 A1* 3/2005 Liu A43B 23/24
36/101
2008/0086917 A1* 4/2008 Carrillo A43B 3/0078
36/136
2010/0199521 A1* 8/2010 Katz A43B 3/126
36/100
2011/0041361 A1* 2/2011 McCann A43B 1/0081
36/100
2012/0263895 A1* 10/2012 Jeter, Jr A43B 3/0078
428/34.1
2013/0008058 A1* 1/2013 Jasmine A43B 23/24
36/136
2013/0273304 A1* 10/2013 Blue A43B 1/0081
428/99
2016/0157559 A1* 6/2016 Schwartz A43B 3/0031
36/136
2017/0273444 A1* 9/2017 Greene A43B 23/24

* cited by examiner

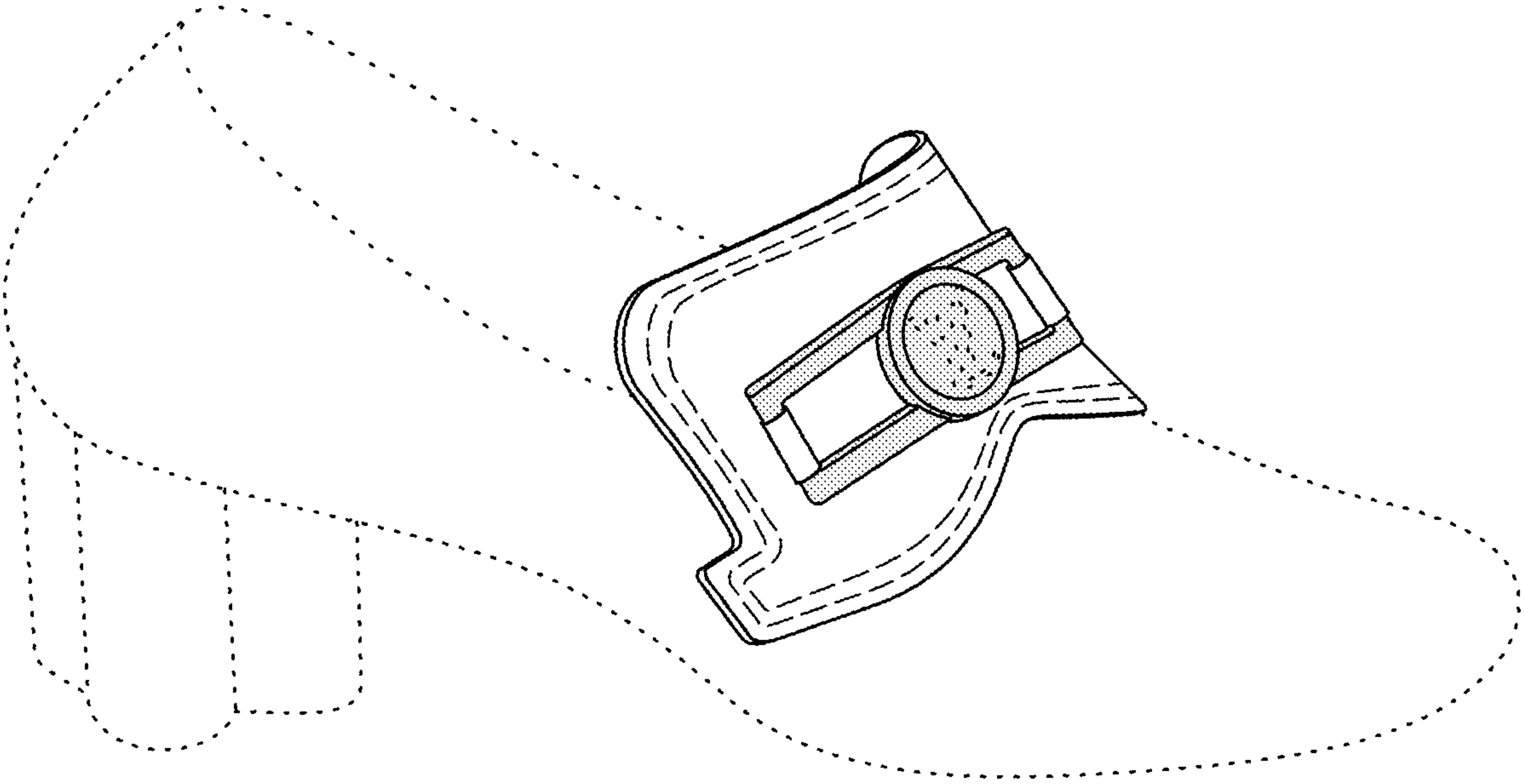


FIG. 1

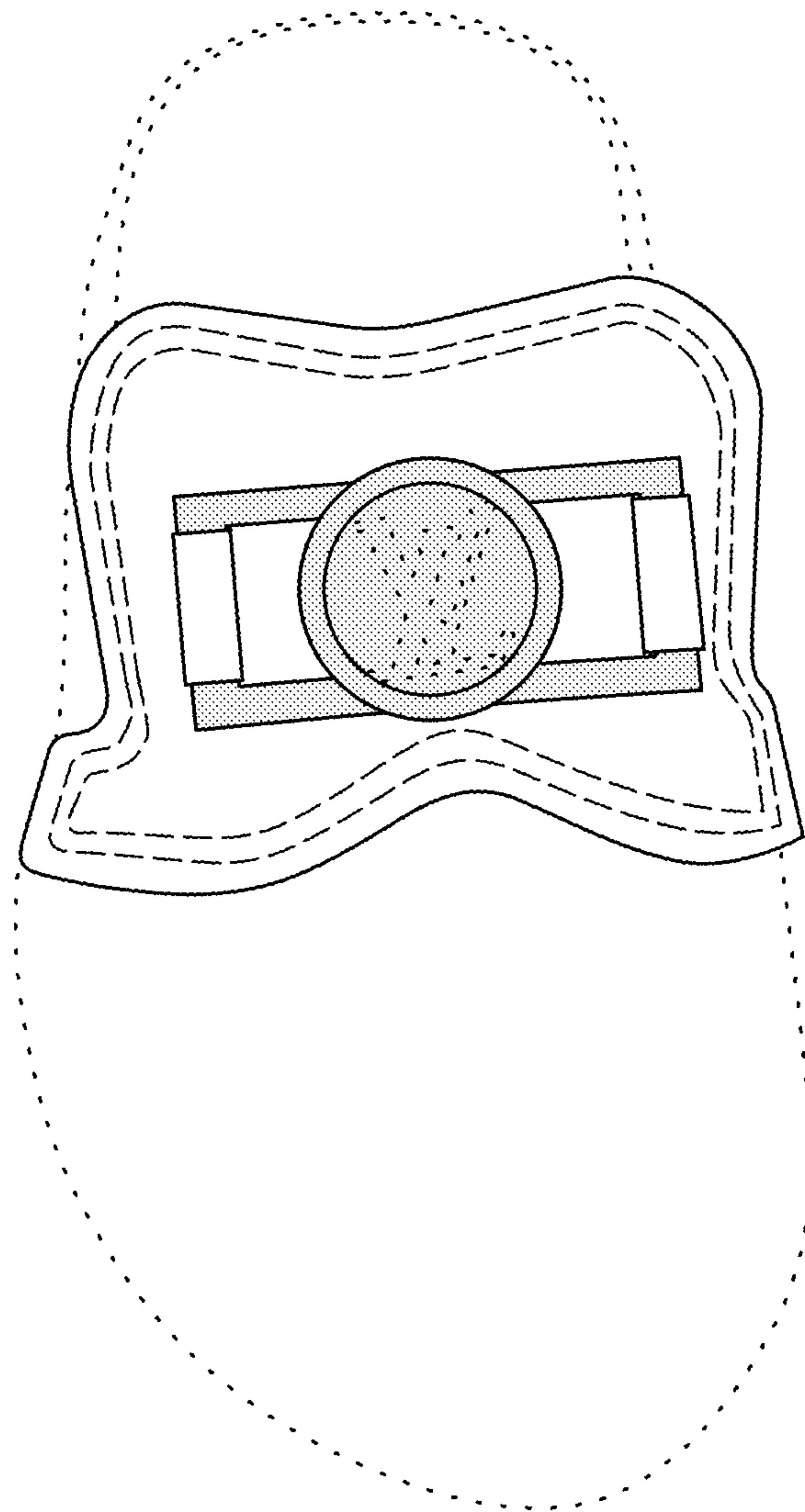


FIG. 2

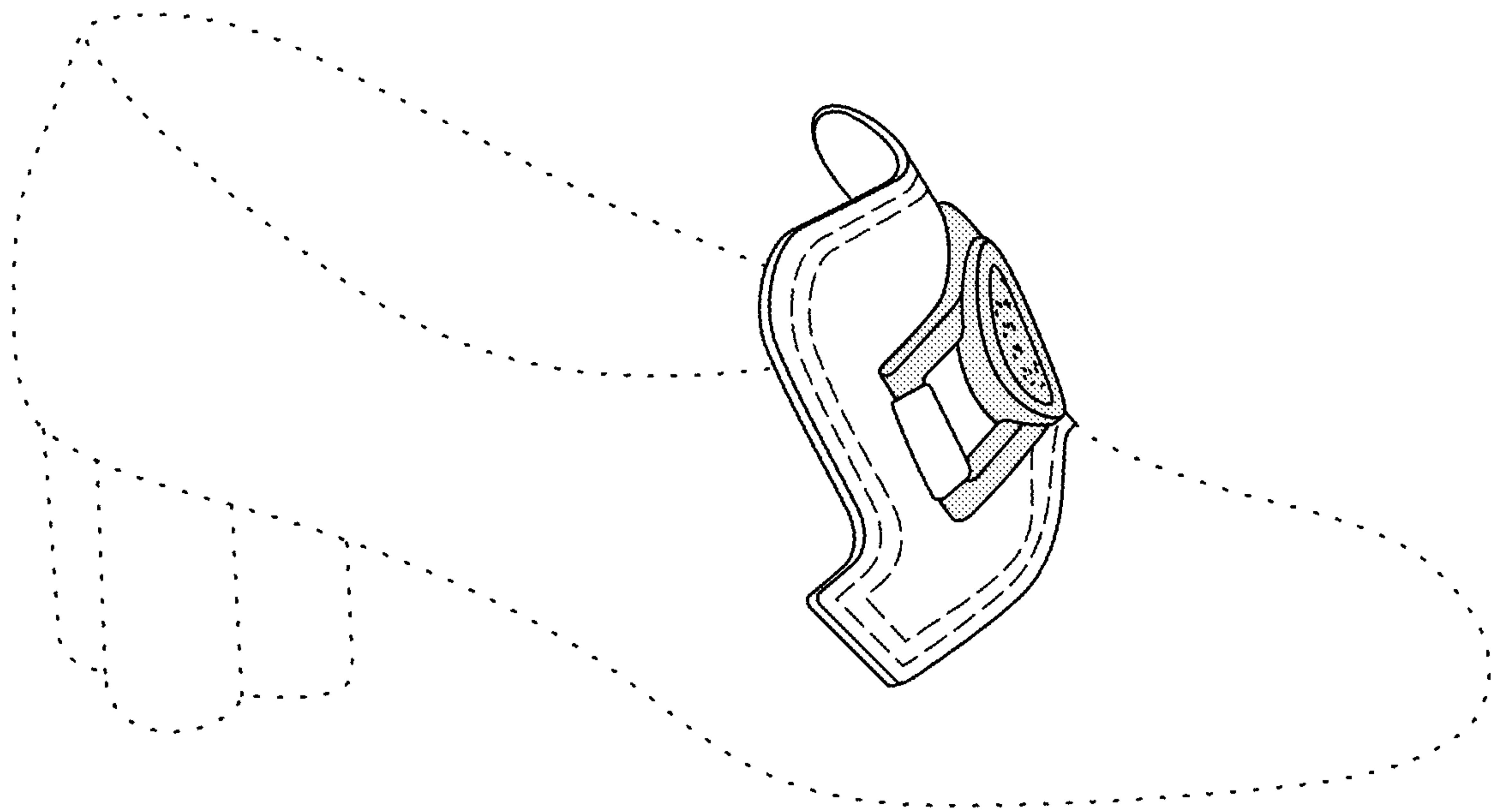


FIG. 3

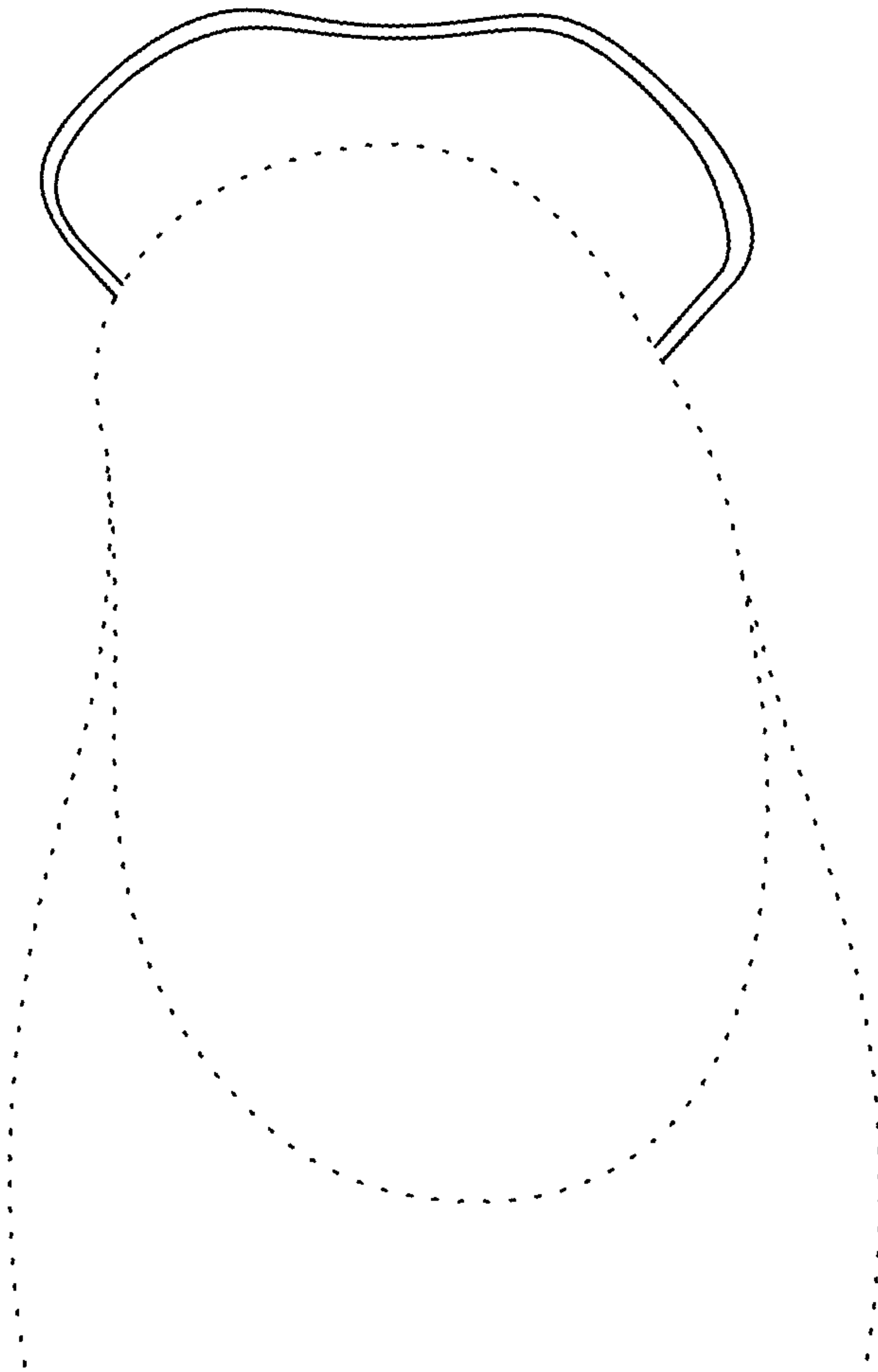


FIG. 4