



US00D939809S

(12) **United States Design Patent**
Zagori

(10) **Patent No.:** **US D939,809 S**

(45) **Date of Patent:** **** Jan. 4, 2022**

(54) **FACE MASK BUILT INTO GARMENT**

(71) Applicant: **Aviad Zagori**, Lauderdale Lakes, FL
(US)

(72) Inventor: **Aviad Zagori**, Lauderdale Lakes, FL
(US)

(**) Term: **15 Years**

(21) Appl. No.: **29/735,855**

(22) Filed: **May 26, 2020**

(51) **LOC (13) Cl.** **02-02**

(52) **U.S. Cl.**
USPC **D2/853**

(58) **Field of Classification Search**
USPC D2/500, 600, 717, 731, 739, 831, 840,
D2/841, 842, 849, 853, 854, 862, 865,
D2/866, 869, 999; D29/108
CPC A41D 1/04; A41D 13/11; A41D 13/1107;
A41D 13/1153; A41D 13/1161
See application file for complete search history.

(56) **References Cited**

U.S. PATENT DOCUMENTS

- 9,521,873 B1 * 12/2016 Mignone A42B 1/048
- D787,161 S * 5/2017 Darmour A42B 1/048
D2/840
- D905,927 S * 12/2020 Huang D2/500
- 2005/0028242 A1 * 2/2005 Thomas A41D 1/04
2/84
- 2011/0185482 A1 * 8/2011 Godfrey A41D 23/00
2/424
- 2016/0015097 A1 * 1/2016 Aligwekwe A41D 13/11
128/863
- 2016/0374415 A1 * 12/2016 Chang A41D 1/04
2/69

- 2017/0055597 A1 * 3/2017 Lekven A41D 13/1161
- 2017/0079343 A1 * 3/2017 Chen A41D 13/11
- 2018/0168258 A1 * 6/2018 Solle A42B 1/006

* cited by examiner

Primary Examiner — Kevin K Rudzinski

Assistant Examiner — Amber J Rabie

(74) *Attorney, Agent, or Firm* — Michael J. Feigin, Esq.;
Feigin and Fridman LLC

(57) **CLAIM**

The ornamental design for a face mask built into garment, as shown and described.

DESCRIPTION

FIG. 1 shows a front perspective view of the face mask built into garment.

FIG. 2 shows a front elevation view thereof.

FIG. 3 shows rear elevation view thereof.

FIG. 4 shows a side elevation view thereof, the reverse side being a mirror image thereof.

FIG. 5 shows a top plan view thereof.

FIG. 6 shows a bottom plan view thereof.

FIG. 7 shows a front elevation view thereof on a person; and, FIG. 8 shows a side elevation view thereof.

The long dashed broken lines illustrating a human figure are environmental and form no part of the claimed design.

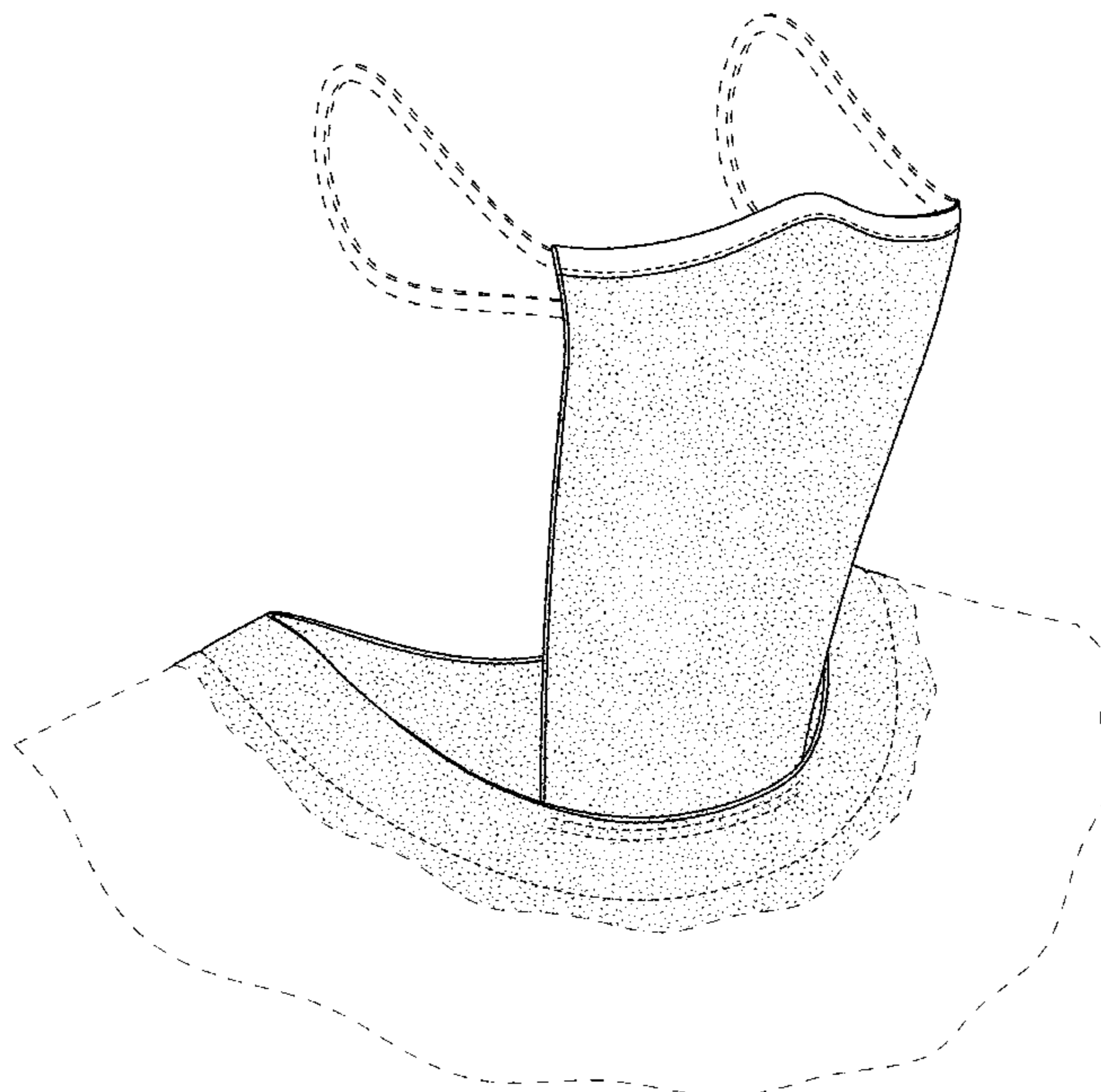
The short dash broken lines on the mask indicate stitching that does form part of the claimed design.

The long dashed broken lines immediately adjacent to the shaded regions indicate boundaries of the claimed design.

The long dash broken lines illustrating a pocket in FIG. 3 represents portions of the article that form no part of the claimed design.

The broken lines illustrating the material of the garment represent portions of the article that form no part of the claimed design.

1 Claim, 8 Drawing Sheets



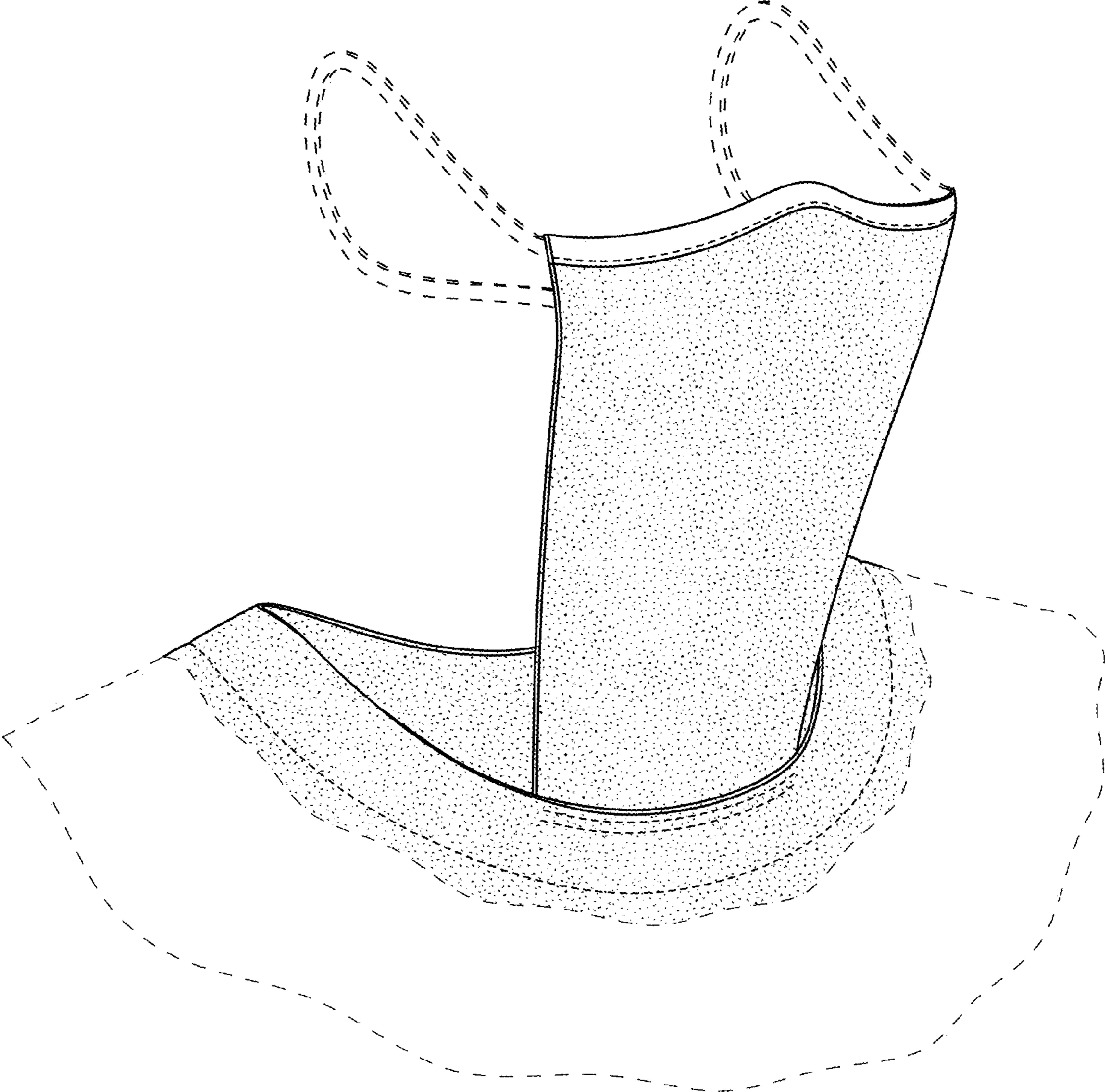


FIG. 1

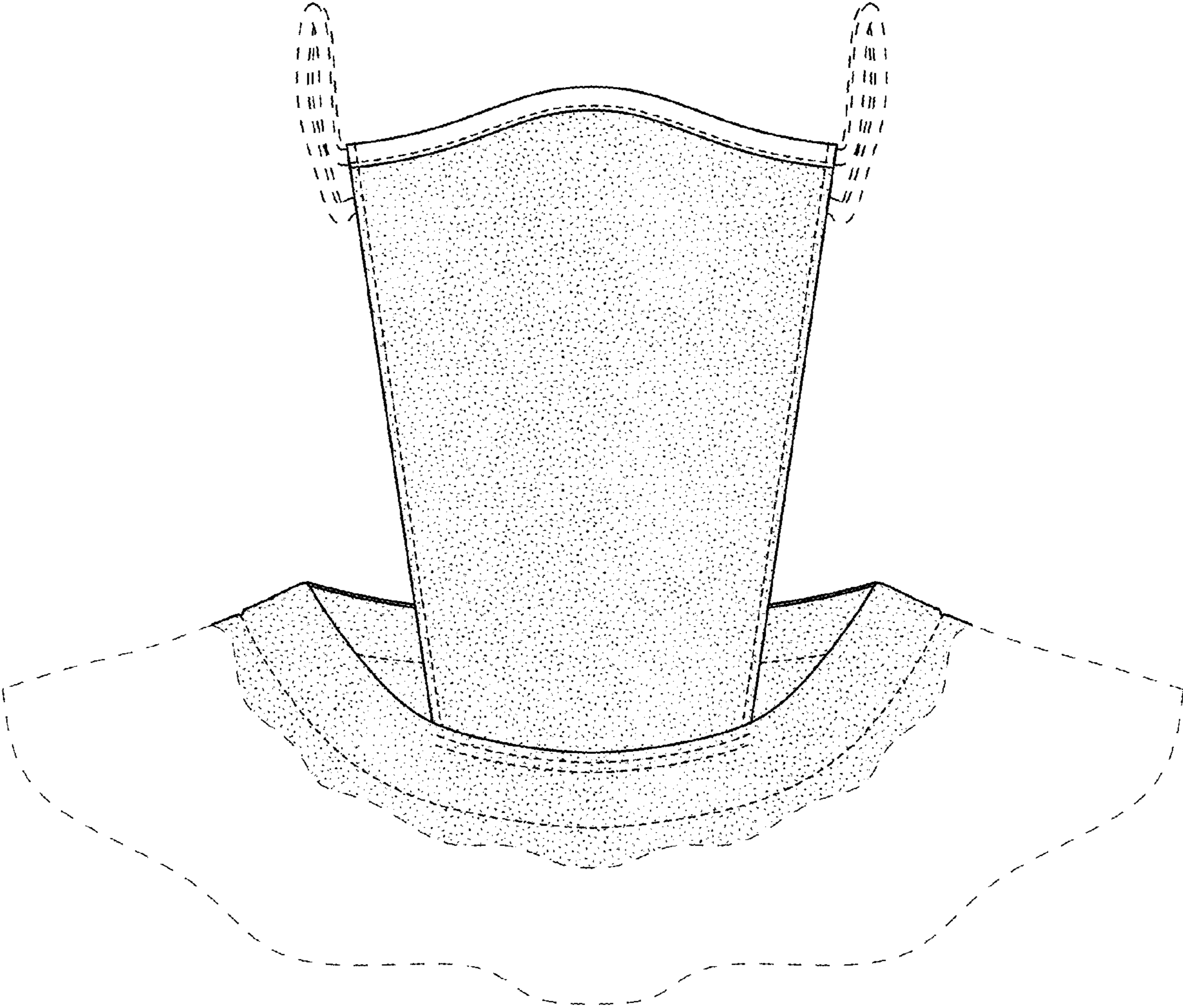


FIG. 2

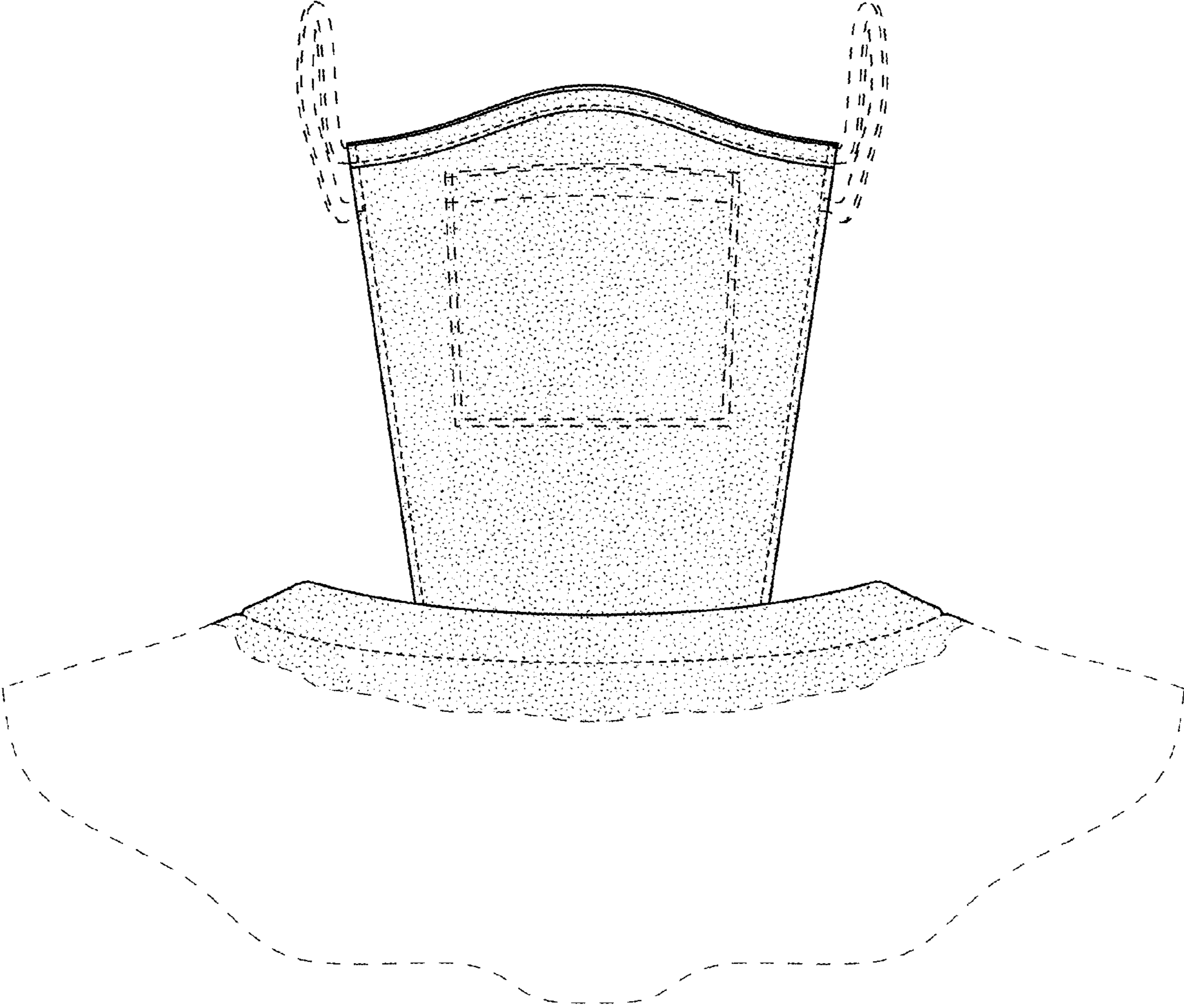


FIG. 3

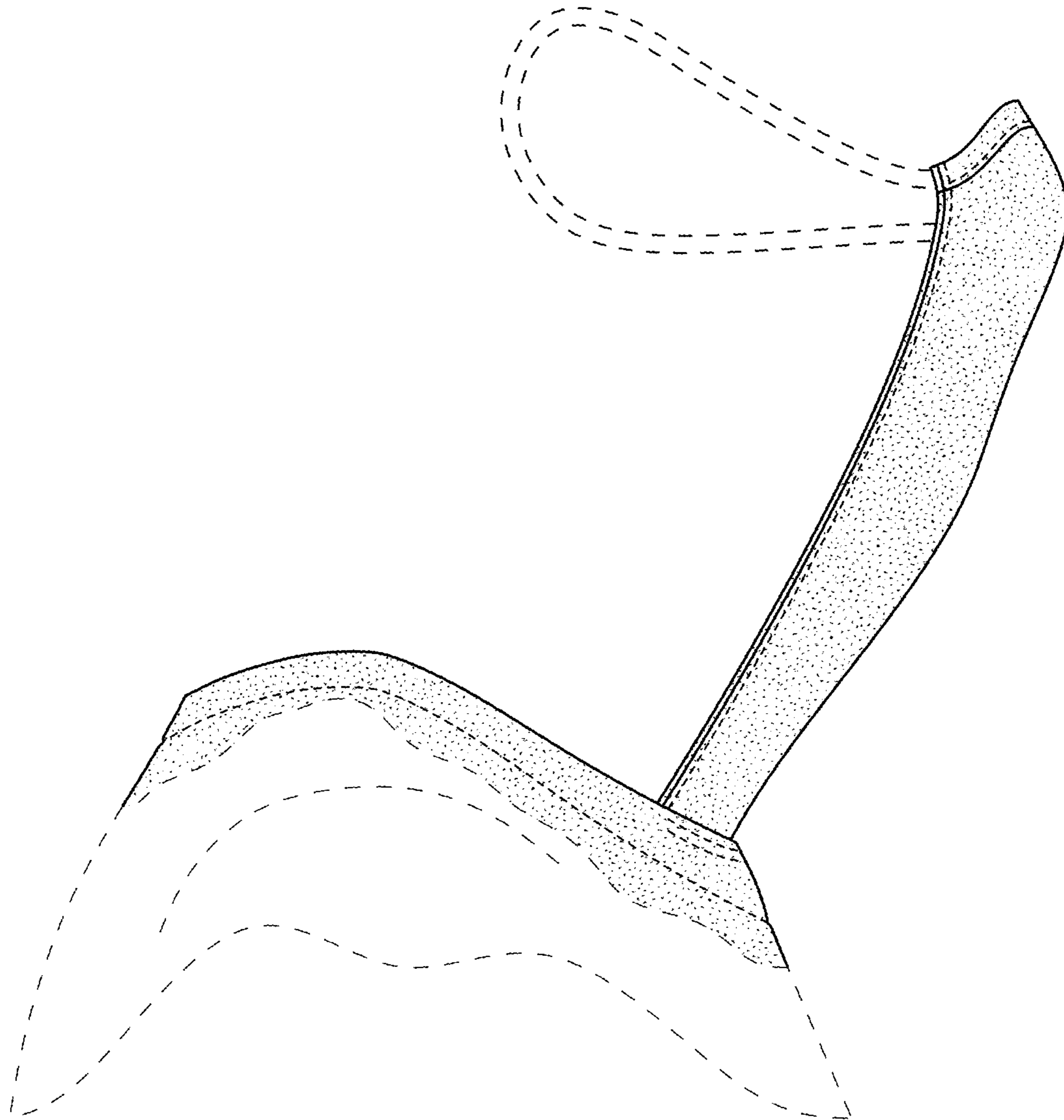


FIG. 4

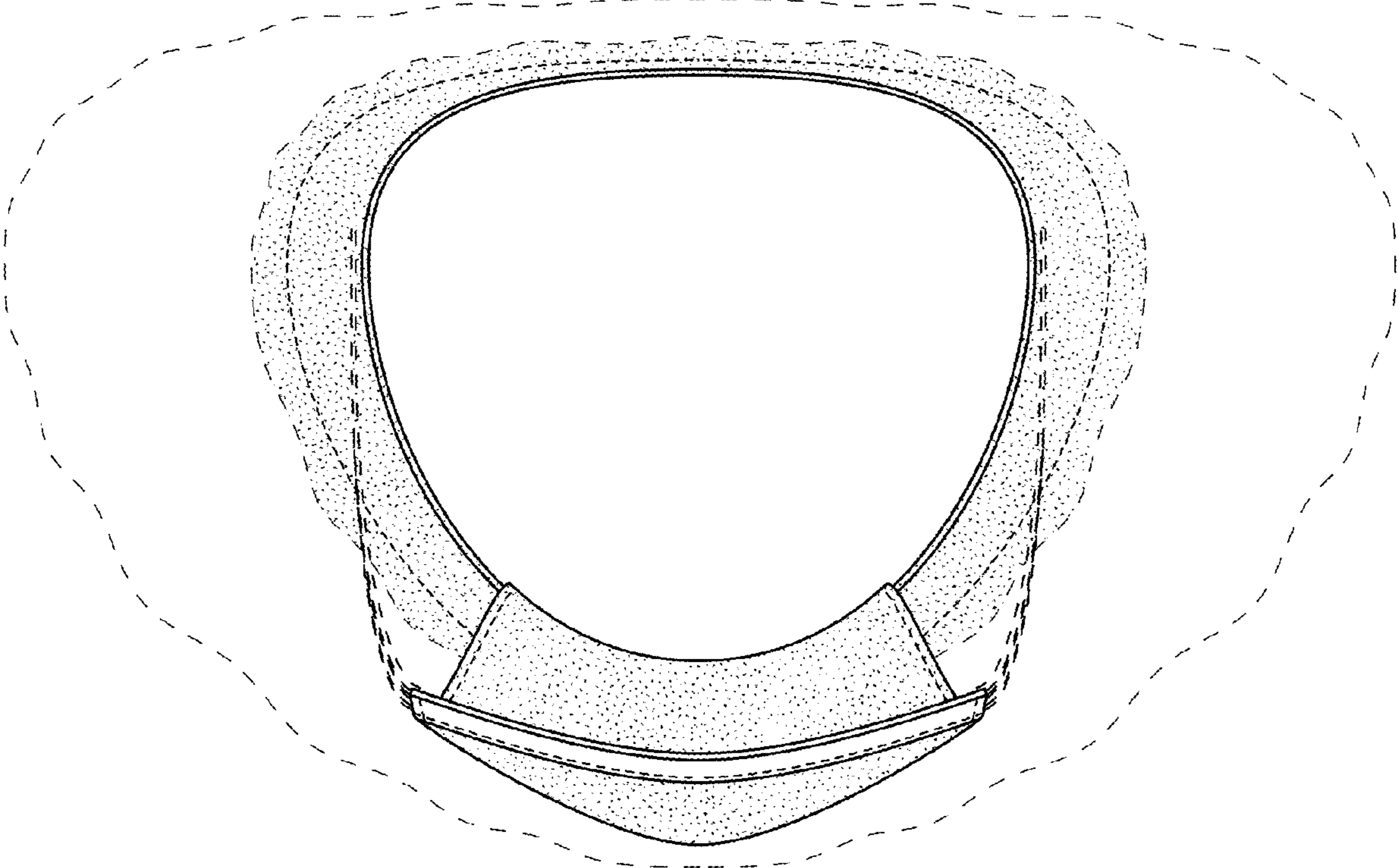


FIG. 5

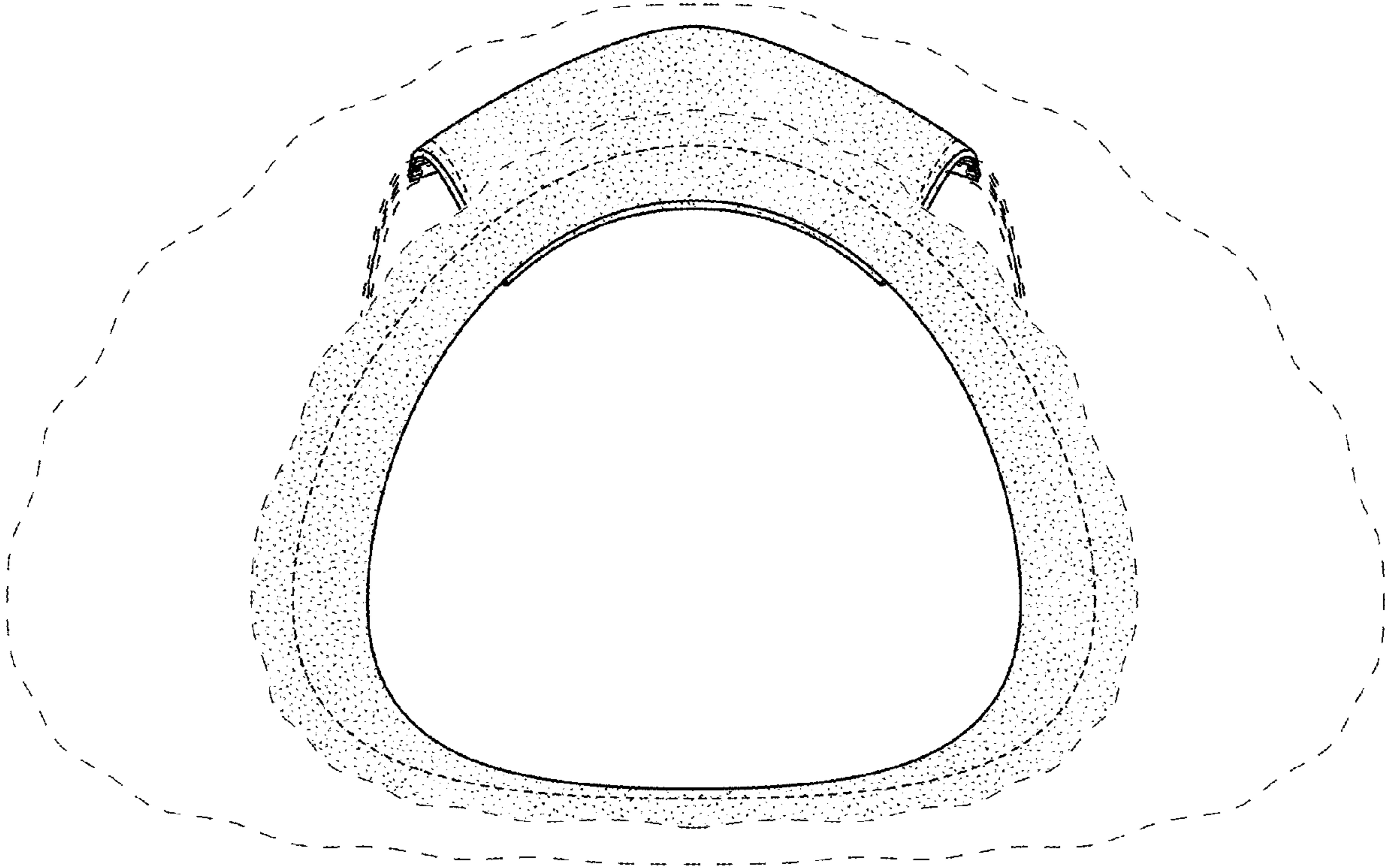


FIG. 6

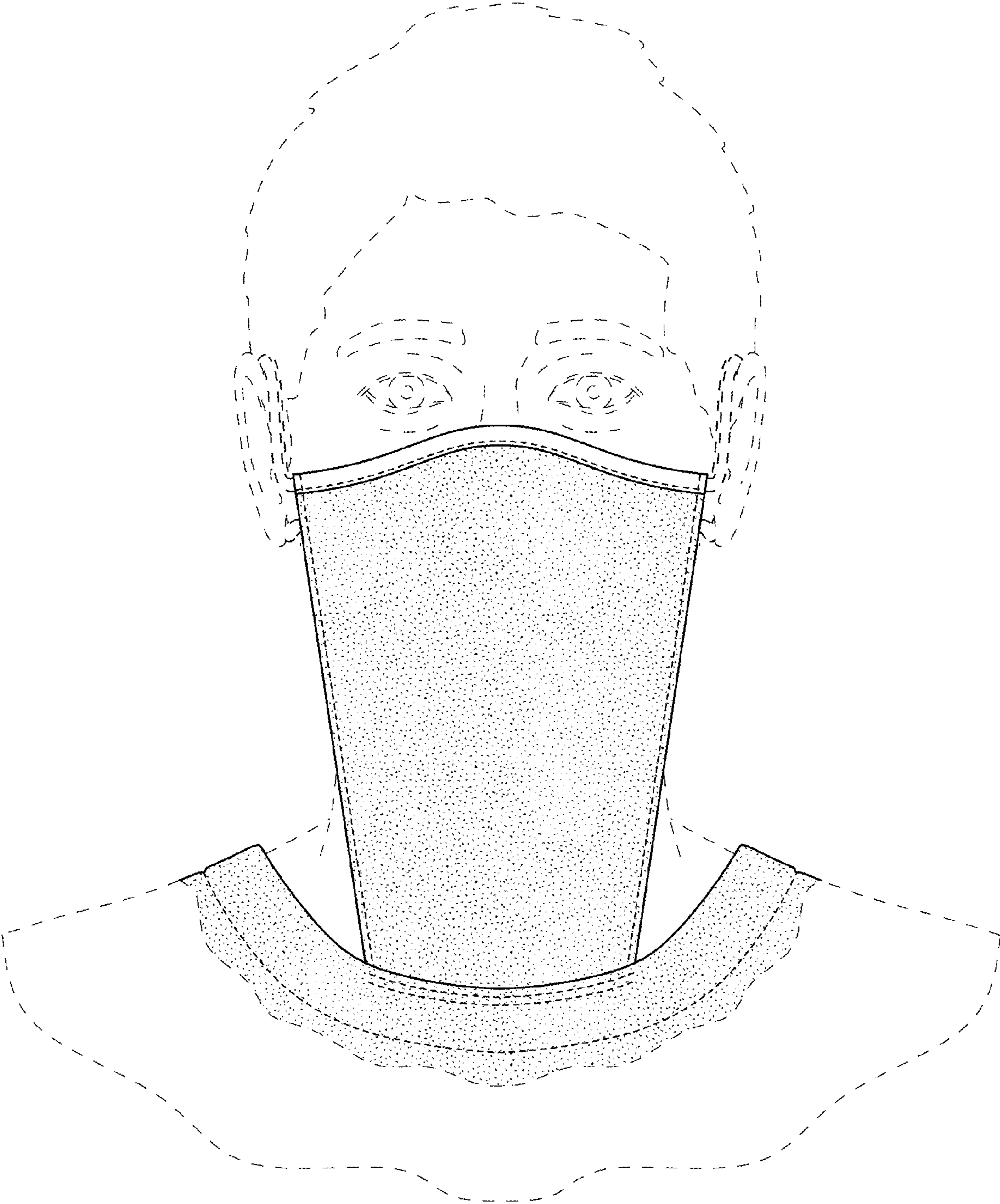


FIG. 7

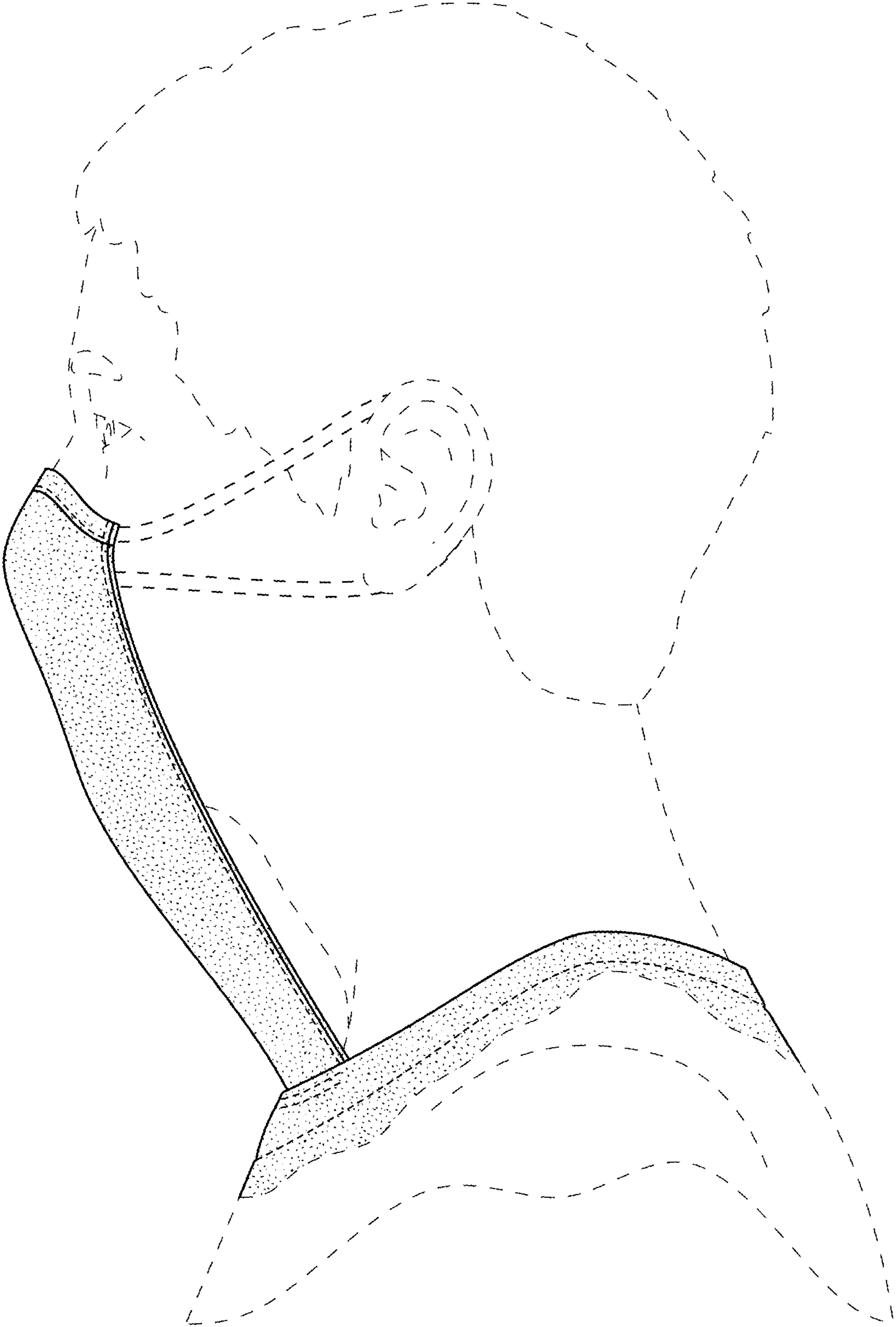


FIG. 8