



US00D939808S

(12) **United States Design Patent** (10) **Patent No.:** **US D939,808 S**
Sullivan et al. (45) **Date of Patent:** **** Jan. 4, 2022**

(54) **TEARAWAY GARMENT**

(71) Applicants: **Karen Alexandra Sullivan**, Paulden, AZ (US); **Christina Marie DiPietro**, Oakton, VA (US)

(72) Inventors: **Karen Alexandra Sullivan**, Paulden, AZ (US); **Christina Marie DiPietro**, Oakton, VA (US)

(**) Term: **15 Years**

(21) Appl. No.: **29/731,177**

(22) Filed: **Apr. 13, 2020**

(51) **LOC (13) Cl.** **02-02**

(52) **U.S. Cl.**
USPC **D2/742**

(58) **Field of Classification Search**
USPC D2/742, 728, 739
CPC A41D 13/12
See application file for complete search history.

(56) **References Cited**

U.S. PATENT DOCUMENTS

5,033,126	A *	7/1991	Wruck	A41D 1/08
					2/242
5,173,967	A *	12/1992	Carter	A41D 13/0543
					2/16
5,604,960	A	2/1997	Good		
5,802,611	A	9/1998	McKenzie et al.		
D574,126	S *	8/2008	McCray	D2/720
D739,120	S *	9/2015	Young	D2/739
D771,909	S *	11/2016	Robinson	D2/742
10,051,900	B2 *	8/2018	Carryl	A41D 13/129
D870,419	S *	12/2019	Chopak	D2/718
2008/0250553	A1	10/2008	Gatto et al.		
2015/0313297	A1	11/2015	Ward		

OTHER PUBLICATIONS

Post Medical Surgery Specialized Tearaway Recovery Short Pant for Men by USBD, posted to amazon.com. Available date: Mar. 11, 2020 [site visited Sep. 13, 2021] Available: <https://www.amazon.com/Medical-Surgery-Specialize-Tearaway-Recovery/dp/B085T72WN7> (Year: 2020).*

* cited by examiner

Primary Examiner — Kevin K Rudzinski
(74) *Attorney, Agent, or Firm* — Dunlap Bennett & Ludwig, PLLC

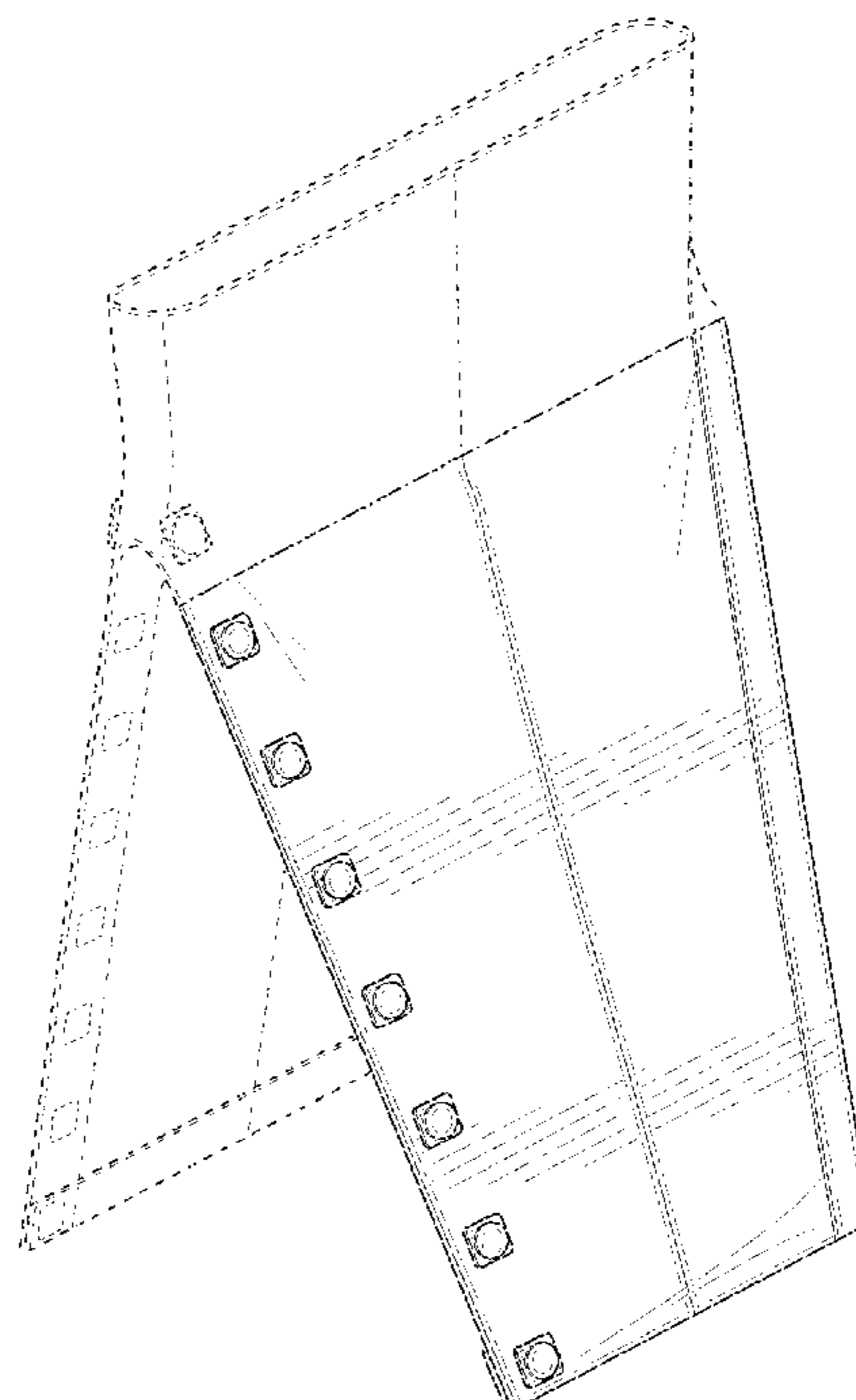
(57) **CLAIM**

The ornamental design for a tearaway garment, as shown and described.

DESCRIPTION

FIG. 1 is a front perspective view of a tearaway garment, showing our design;
FIG. 2 is a front elevation view thereof;
FIG. 3 is a rear elevation view thereof;
FIG. 4 is a right-side elevation view thereof;
FIG. 5 is a left-side elevation view thereof;
FIG. 6 is a top plan view thereof;
FIG. 7 is a bottom plan view thereof; and,
FIG. 8 is a bottom perspective view of the tearaway garment. The evenly sized dash-dash broken lines shown in FIGS. 1 and 8 depicts portions of the tearaway garment subject matter that forms no part of the claimed design. The unevenly-sized dot-dash-dot broken lines shown in the drawings depict the bounds of the tearaway garment and form no part of the claimed design.

1 Claim, 4 Drawing Sheets



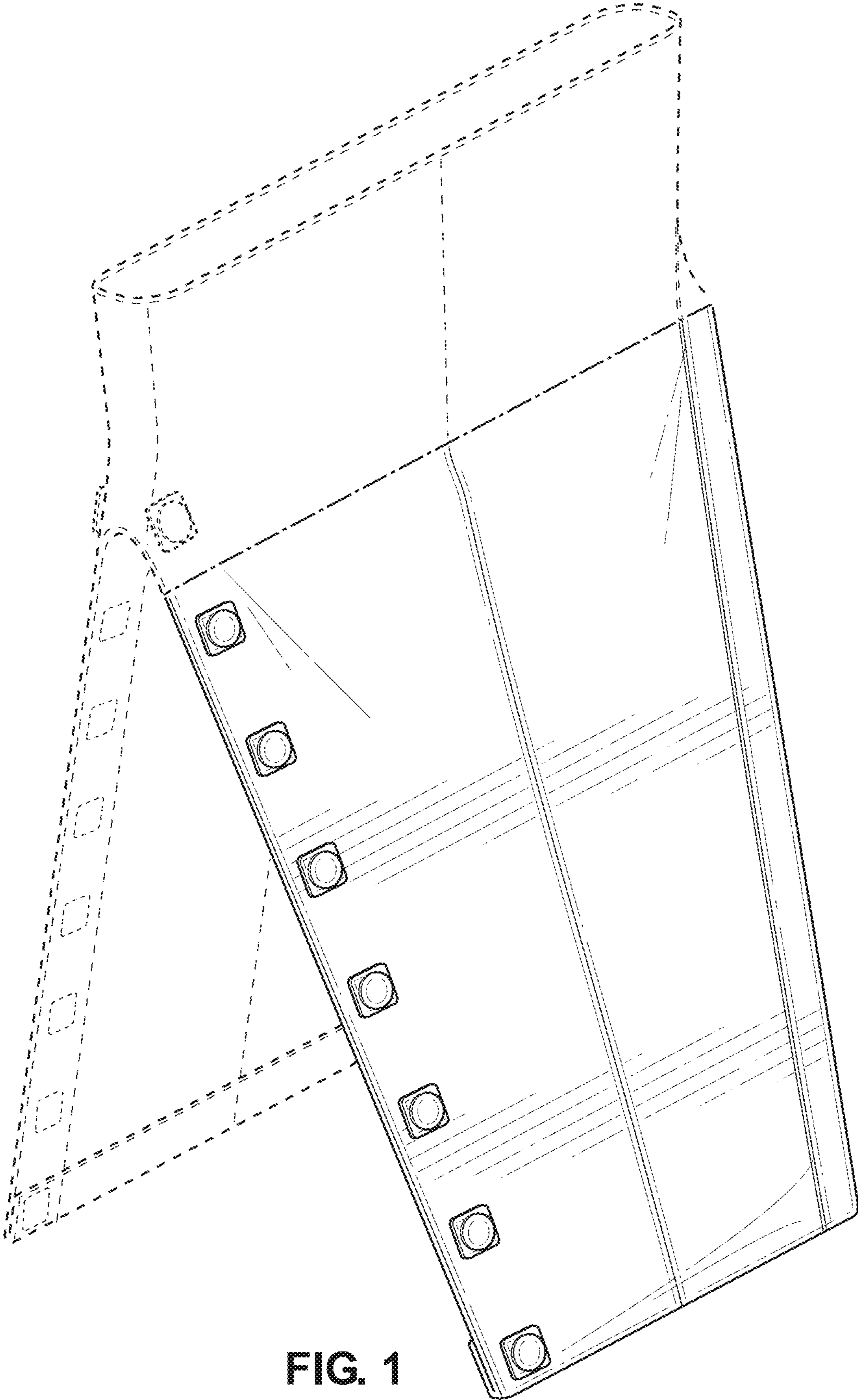


FIG. 1

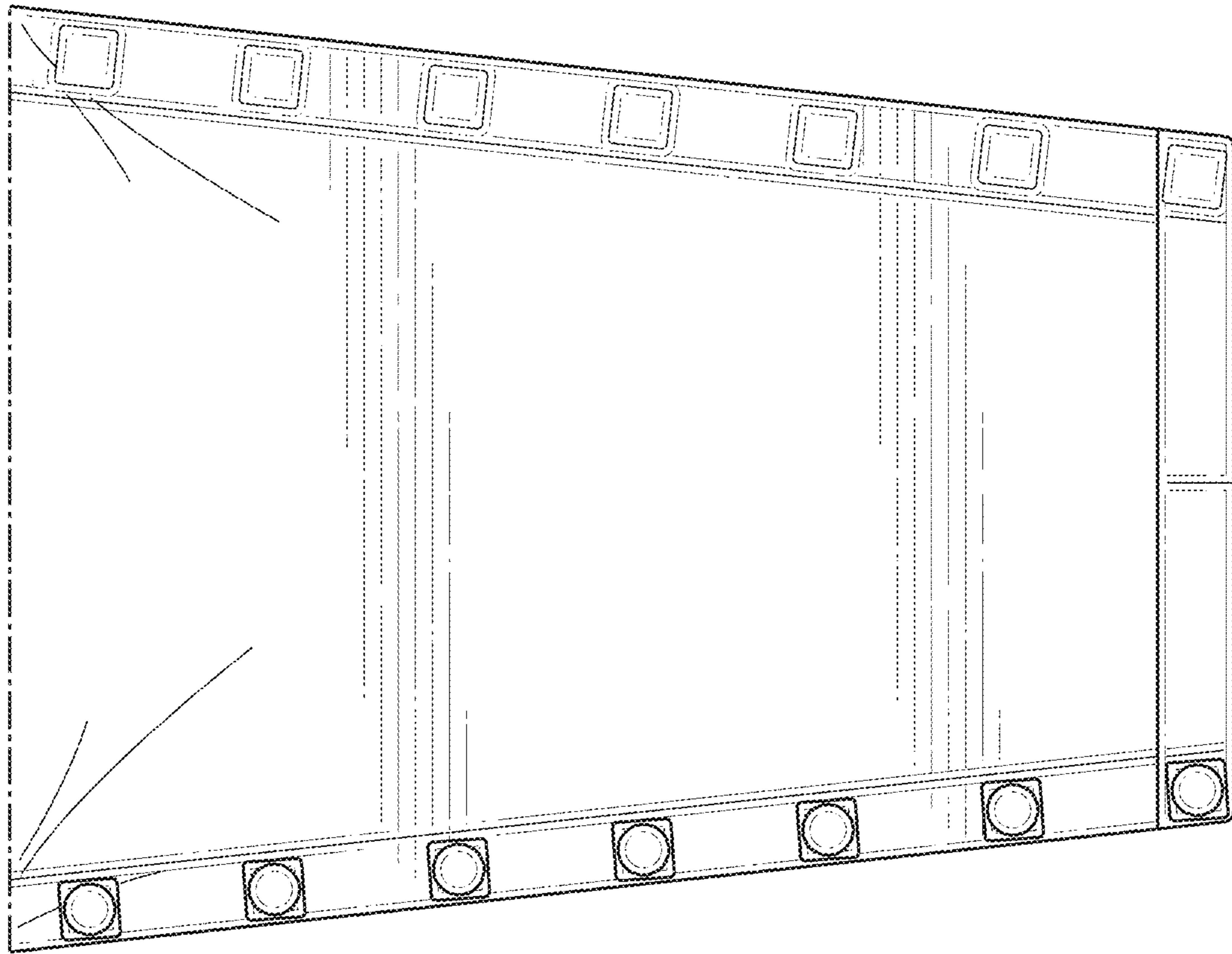


FIG. 3

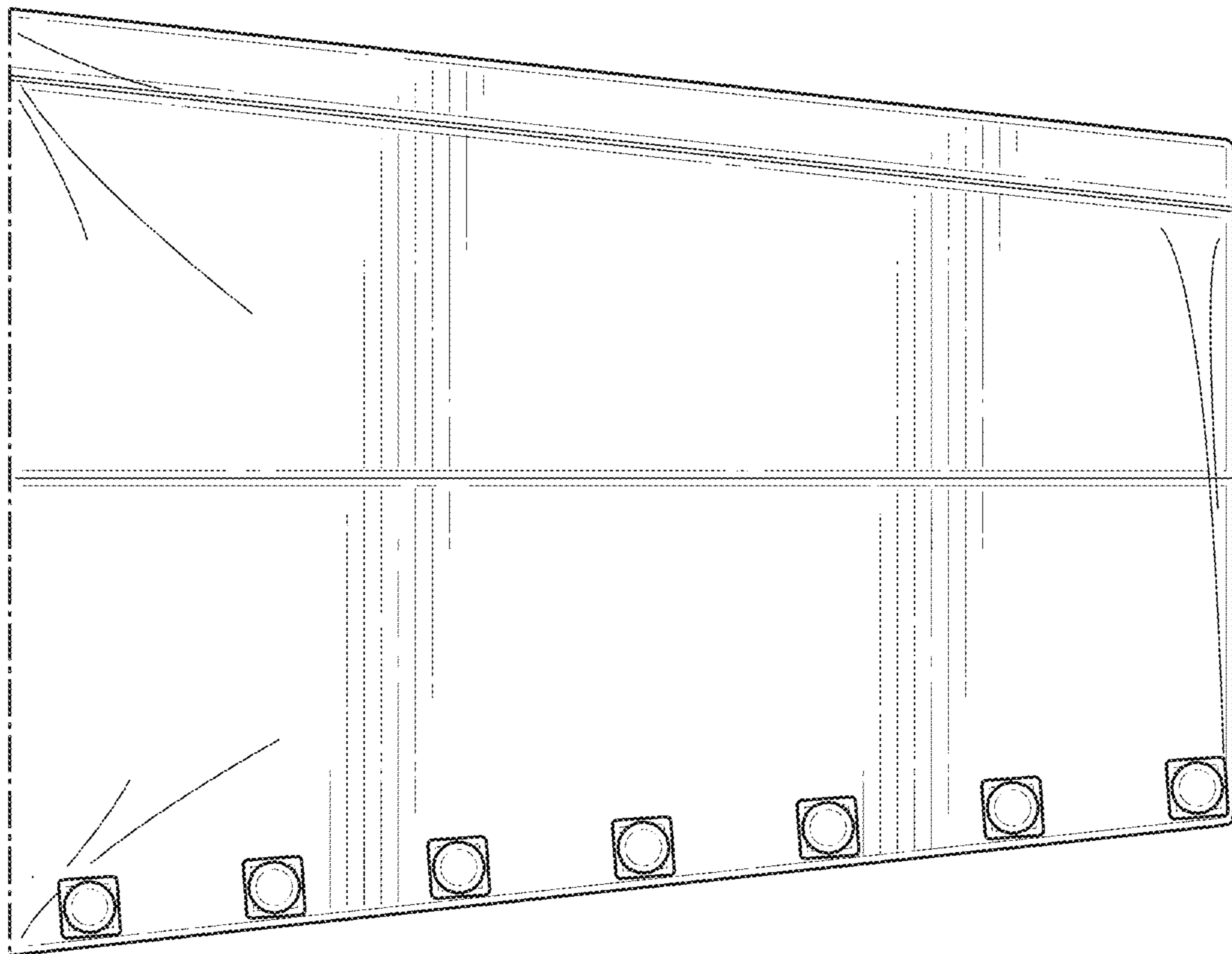


FIG. 2

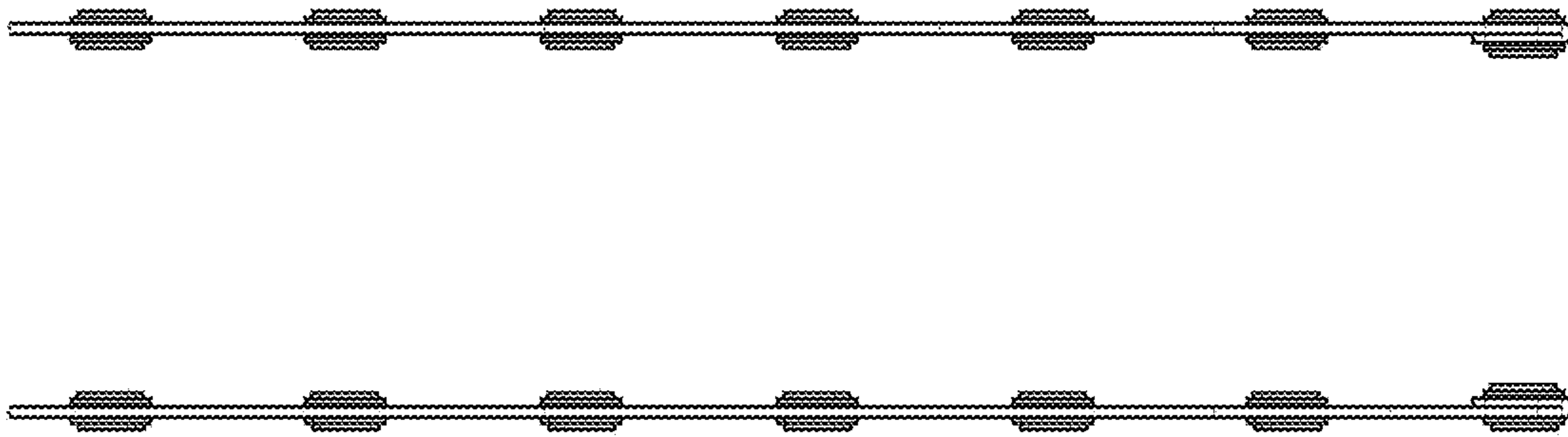


FIG. 4

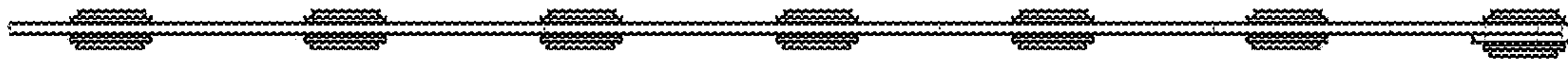


FIG. 5

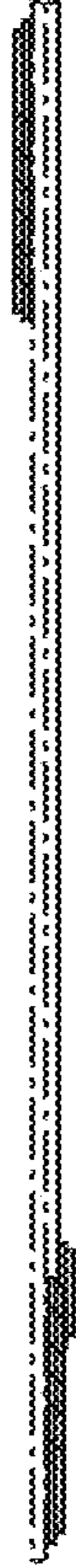


FIG. 6



FIG. 7

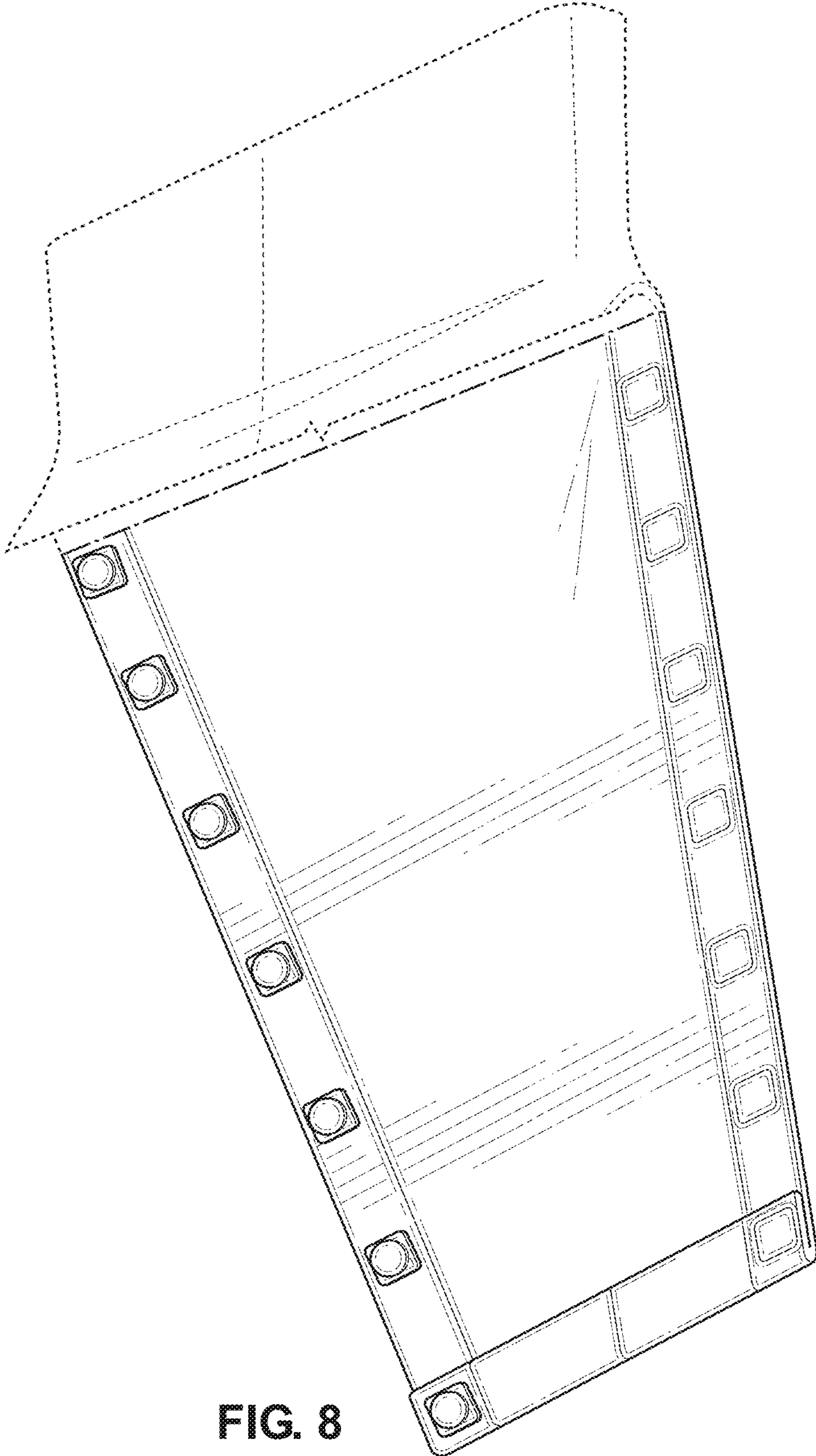


FIG. 8