



US00D939805S

(12) **United States Design Patent**  
**Qian**

(10) **Patent No.:** **US D939,805 S**

(45) **Date of Patent:** **\*\* Dec. 28, 2021**

- (54) **GUN SAFE**
- (71) Applicant: **BSTTEK INTERNATIONAL LTD.,**  
Portland, OR (US)
- (72) Inventor: **Yunqing Qian,** Portland, OR (US)
- (73) Assignee: **BSTTEK INTERNATIONAL., LTD.,**  
Portland, OR (US)

5,769,006 A \* 6/1998 Allaer ..... E05G 1/00  
109/51  
D399,632 S \* 10/1998 Davis ..... D99/28  
D474,596 S \* 5/2003 Osiecki ..... D3/273  
D485,042 S 1/2004 Paris et al.  
D485,419 S 1/2004 Paris et al.  
D485,960 S 1/2004 Paris et al.  
D488,910 S 4/2004 Lynch et al.

(Continued)

(\*\*) Term: **15 Years**

**OTHER PUBLICATIONS**

(21) Appl. No.: **29/764,532**

8 Best Portable & Travel Gun Safe In 2021, <https://gunsafecoach.com/best-portable-gun-safe/>, 2021 (Year: 2021).\*

(Continued)

(22) Filed: **Dec. 30, 2020**

(51) **LOC (13) Cl.** ..... **99-00**

(52) **U.S. Cl.**  
USPC ..... **D99/28**

(58) **Field of Classification Search**  
USPC ..... D99/28, 34, 35, 36, 43, 99; 109/1 R,  
109/1 V, 2, 45; 902/9, 30; 235/100;  
206/317, 527, 235; 312/400, 409;  
D3/201, 221, 222, 223, 254, 262, 273  
CPC .... E05B 65/0075; F42B 39/00; F42B 39/002;  
F42B 39/14; F42B 39/18; F42B 39/22;  
F42B 39/24; F42B 39/20; F42B 39/26;  
E05G 1/00; E05G 1/005; E05G 1/024;  
E05G 5/00; E05G 5/02; E05G 2700/00;  
E05G 2700/02; E05G 2700/04; G07F  
17/10; G07F 9/06; G07F 9/003; G07F  
9/002; G07F 9/004; G07F 9/008; G07D  
11/0009; G07D 11/009; G07D 11/006;  
F41C 33/02; F41C 33/0209; F41C  
33/0254; F41C 33/0263; F41C 33/048;  
F41C 33/06

See application file for complete search history.

(56) **References Cited**

**U.S. PATENT DOCUMENTS**

- 5,161,396 A \* 11/1992 Loeff ..... E05B 47/0002  
109/59 T
- 5,172,575 A \* 12/1992 Fisher ..... E05B 37/20  
206/317

*Primary Examiner* — Elizabeth J Oswecki  
(74) *Attorney, Agent, or Firm* — Law Offices of Steven  
W. Weinrieb

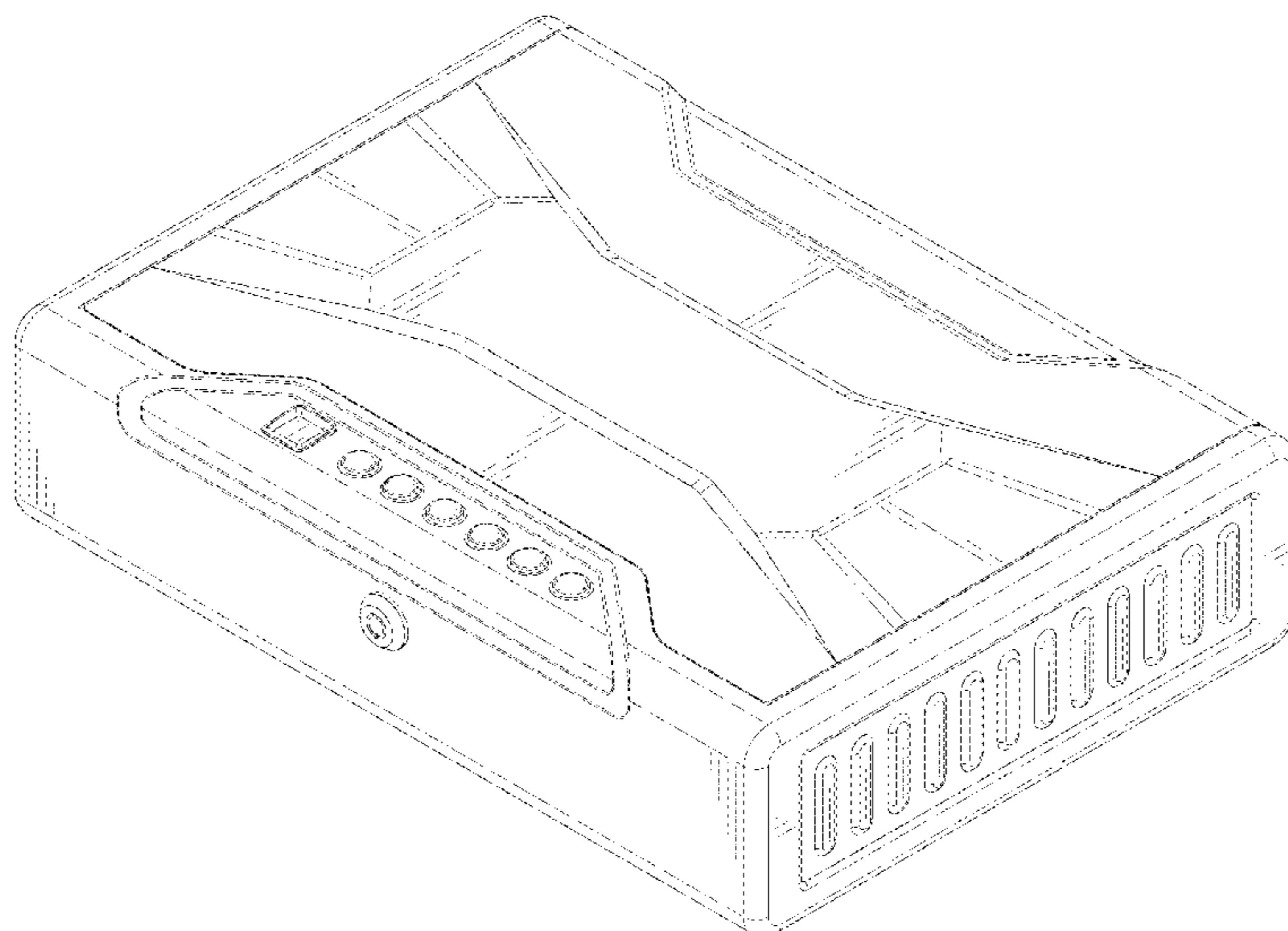
(57) **CLAIM**

The ornamental design for a gun safe, as shown and described.

**DESCRIPTION**

FIG. 1 is a front, right side, top perspective view of a gun safe showing my new design;  
FIG. 2 is a front elevational view thereof;  
FIG. 3 is a rear elevational view thereof;  
FIG. 4 is a left side elevational view thereof;  
FIG. 5 is a right side elevational view thereof;  
FIG. 6 is a top plan view thereof;  
FIG. 7 is a bottom plan view thereof; and,  
FIG. 8 is a front, right side, top perspective view thereof, shown in an open position.  
The dashed-dot lines in FIG. 8 represent the boundary line of the claimed design. The even dashed broken lines depict portions of the gun safe that form no part of the claimed design.

**1 Claim, 8 Drawing Sheets**



(56)

References Cited

U.S. PATENT DOCUMENTS

D498,895 S 11/2004 Lynch et al.  
 D542,529 S \* 5/2007 Peart ..... D3/276  
 D558,977 S \* 1/2008 Peart ..... D3/294  
 D561,994 S \* 2/2008 Peart ..... D3/291  
 7,546,920 B1 \* 6/2009 Horn ..... F41C 33/06  
 206/317  
 D617,974 S \* 6/2010 Alfeld, Sr. .... D99/28  
 D624,275 S \* 9/2010 Min ..... D99/28  
 D635,324 S \* 3/2011 Plato ..... D99/28  
 D651,785 S \* 1/2012 Martin ..... D99/28  
 D714,015 S \* 9/2014 Hyde ..... D99/28  
 D732,264 S \* 6/2015 Hine ..... D99/28  
 D732,265 S \* 6/2015 Osiecki ..... D99/28  
 D772,522 S \* 11/2016 Henderson ..... D99/28  
 D803,508 S \* 11/2017 Horn ..... D99/28  
 D817,589 S \* 5/2018 Culbreth ..... D99/28  
 D825,884 S 8/2018 Moore  
 D838,079 S 1/2019 Hill  
 D843,678 S 3/2019 Hill  
 D843,679 S 3/2019 Hill  
 10,253,529 B1 \* 4/2019 McGinn ..... E05B 47/0001  
 D860,579 S \* 9/2019 McCabe ..... E05G 1/005  
 D99/28  
 D866,913 S \* 11/2019 Xu ..... D99/28

D881,504 S \* 4/2020 Baker ..... D99/28  
 D893,123 S \* 8/2020 Yu ..... D99/28  
 D895,225 S \* 9/2020 Smith ..... D99/28  
 D904,724 S \* 12/2020 Zhang ..... D99/28  
 D912,365 S \* 3/2021 Shen ..... D99/28  
 2009/0071208 A1 \* 3/2009 Wang ..... E05B 47/0603  
 70/277  
 2012/0042703 A1 \* 2/2012 Chang ..... E05B 19/0005  
 70/63  
 2012/0042704 A1 \* 2/2012 Chang ..... A45C 13/10  
 70/63  
 2013/0025511 A1 \* 1/2013 Maxwell ..... E05G 1/04  
 109/59 R  
 2016/0018186 A1 \* 1/2016 Pikielny ..... F41A 17/44  
 206/317  
 2016/0377374 A1 \* 12/2016 Pikielny ..... H02J 7/0027  
 206/216  
 2019/0368260 A1 \* 12/2019 Gilbert ..... E05G 1/10

OTHER PUBLICATIONS

Best Travel Gun Safes Home / Top Gun Safes 2020 / Best Travel Gun Safes, <https://gunsafery.com/c/best-safes/the-best-gun-safe-for-travel,2020> (Year: 2020).\*

\* cited by examiner

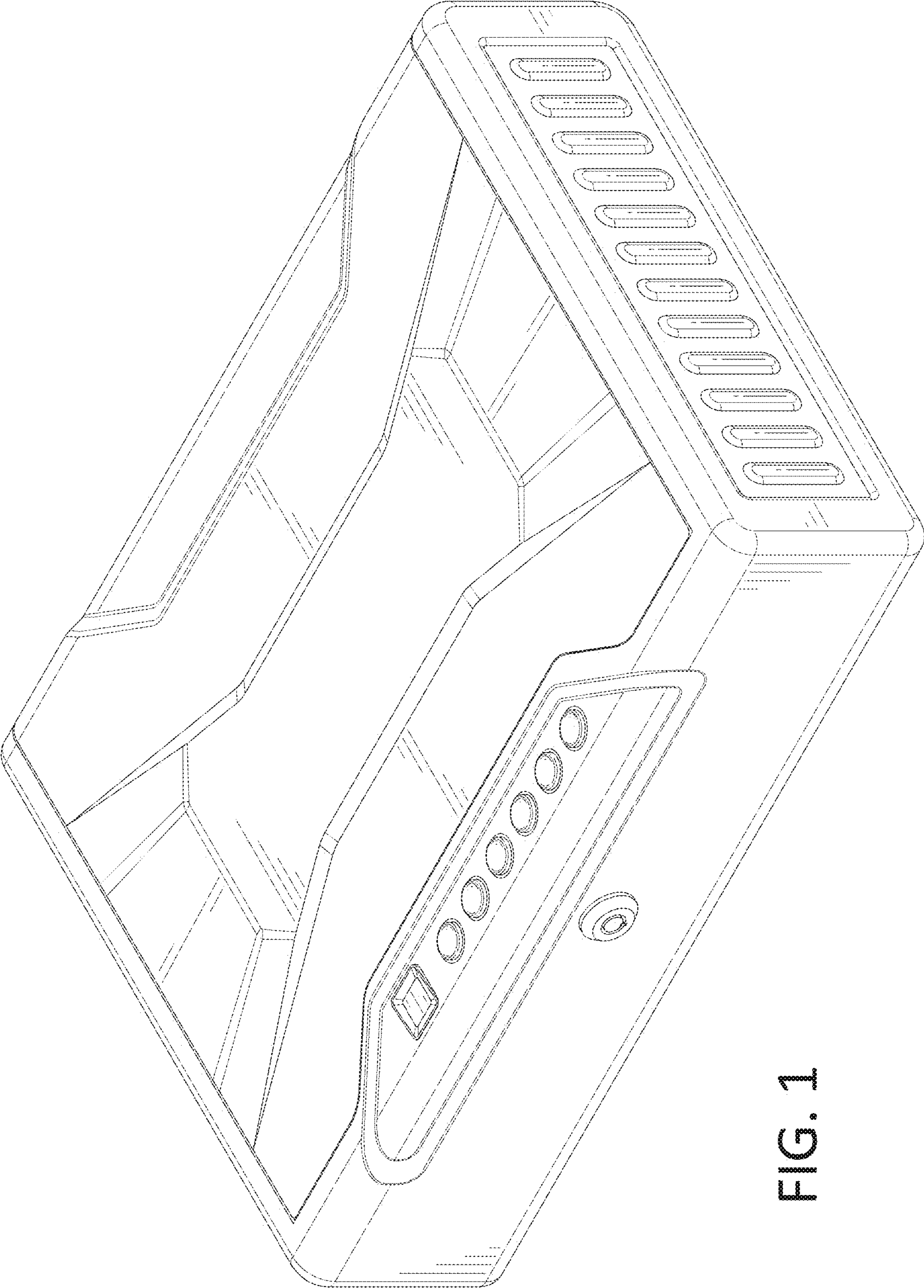


FIG. 1

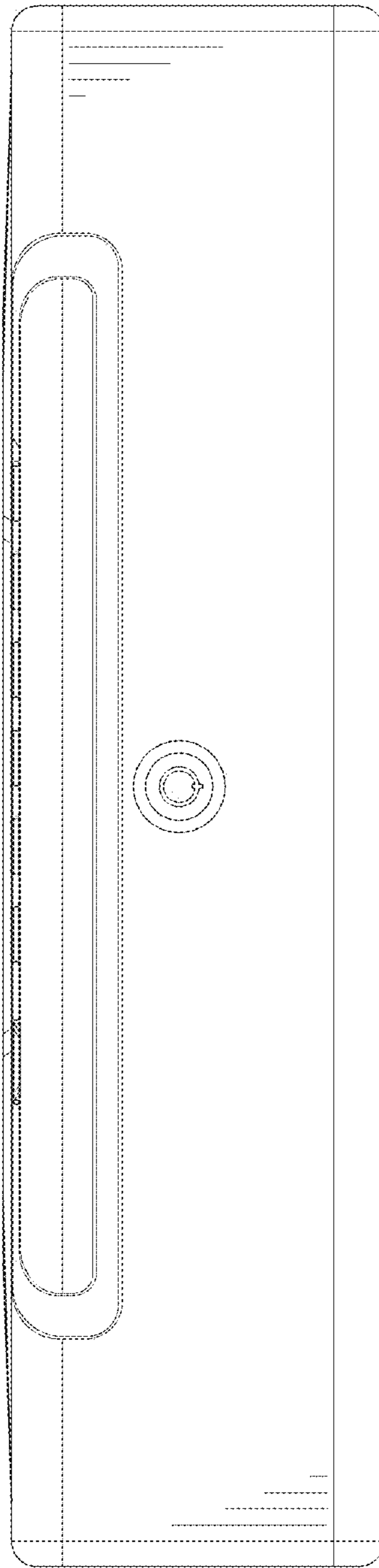


FIG. 2

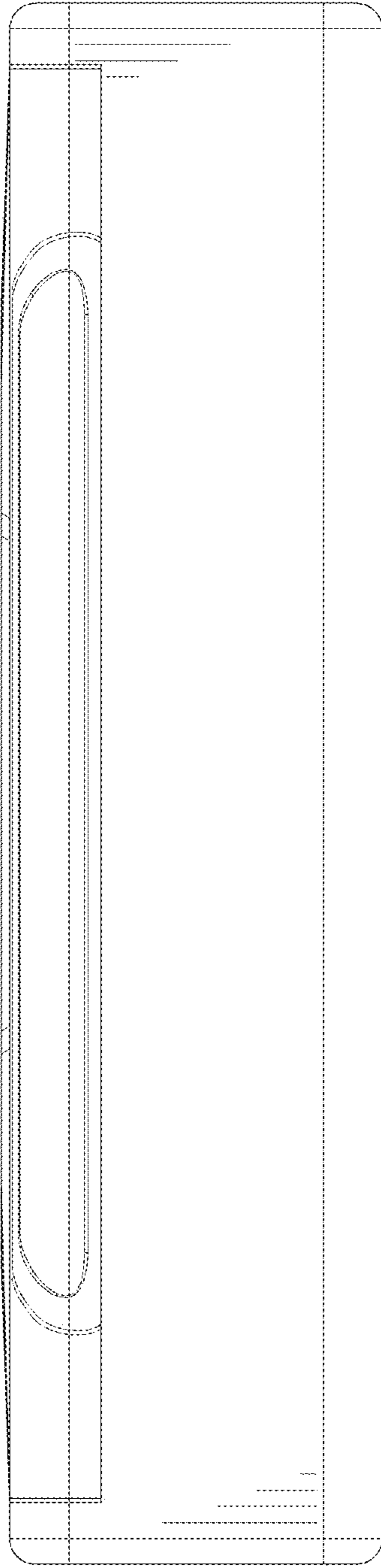


FIG. 3

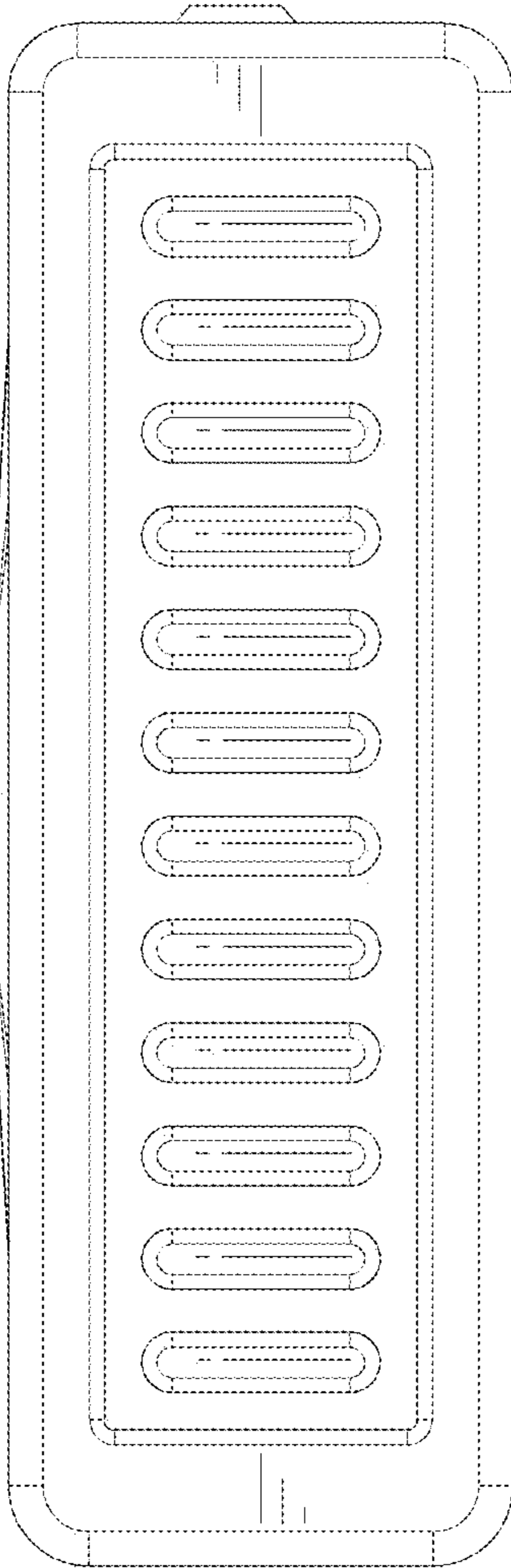


FIG. 4

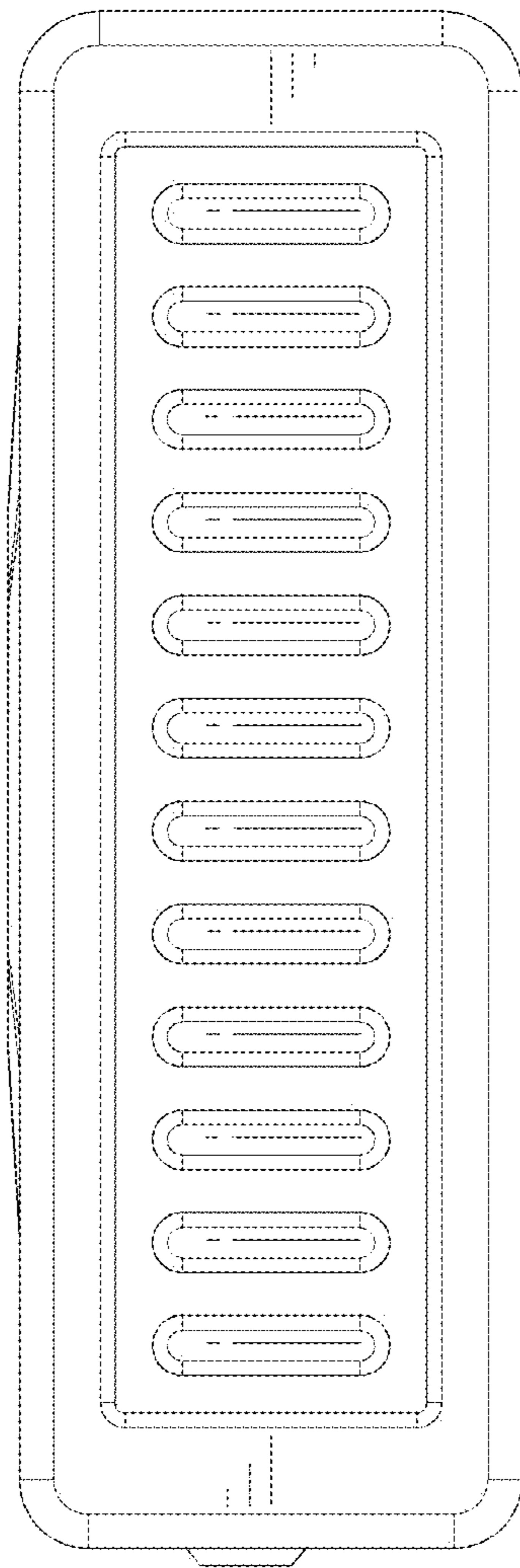


FIG. 5

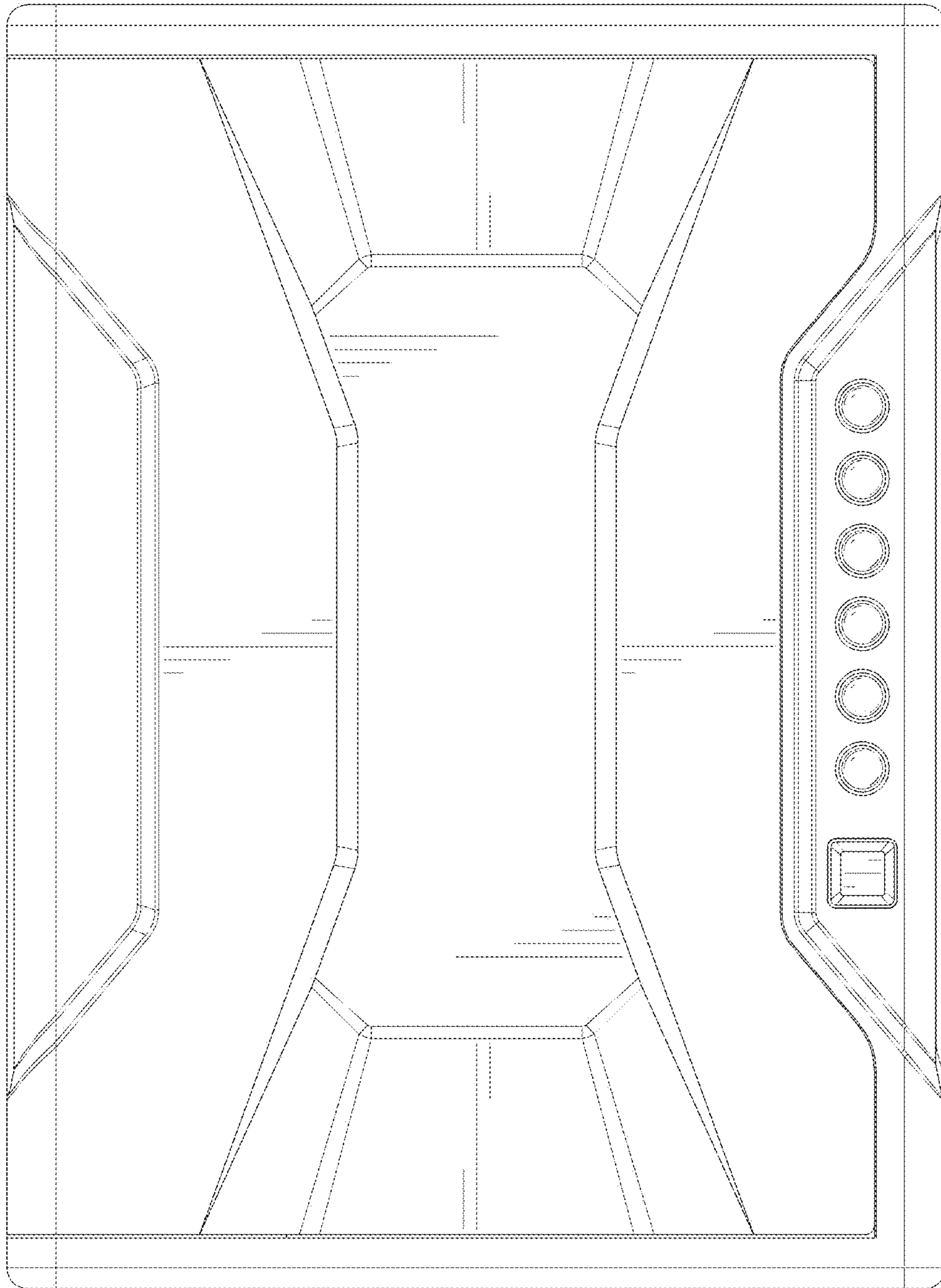


FIG. 6



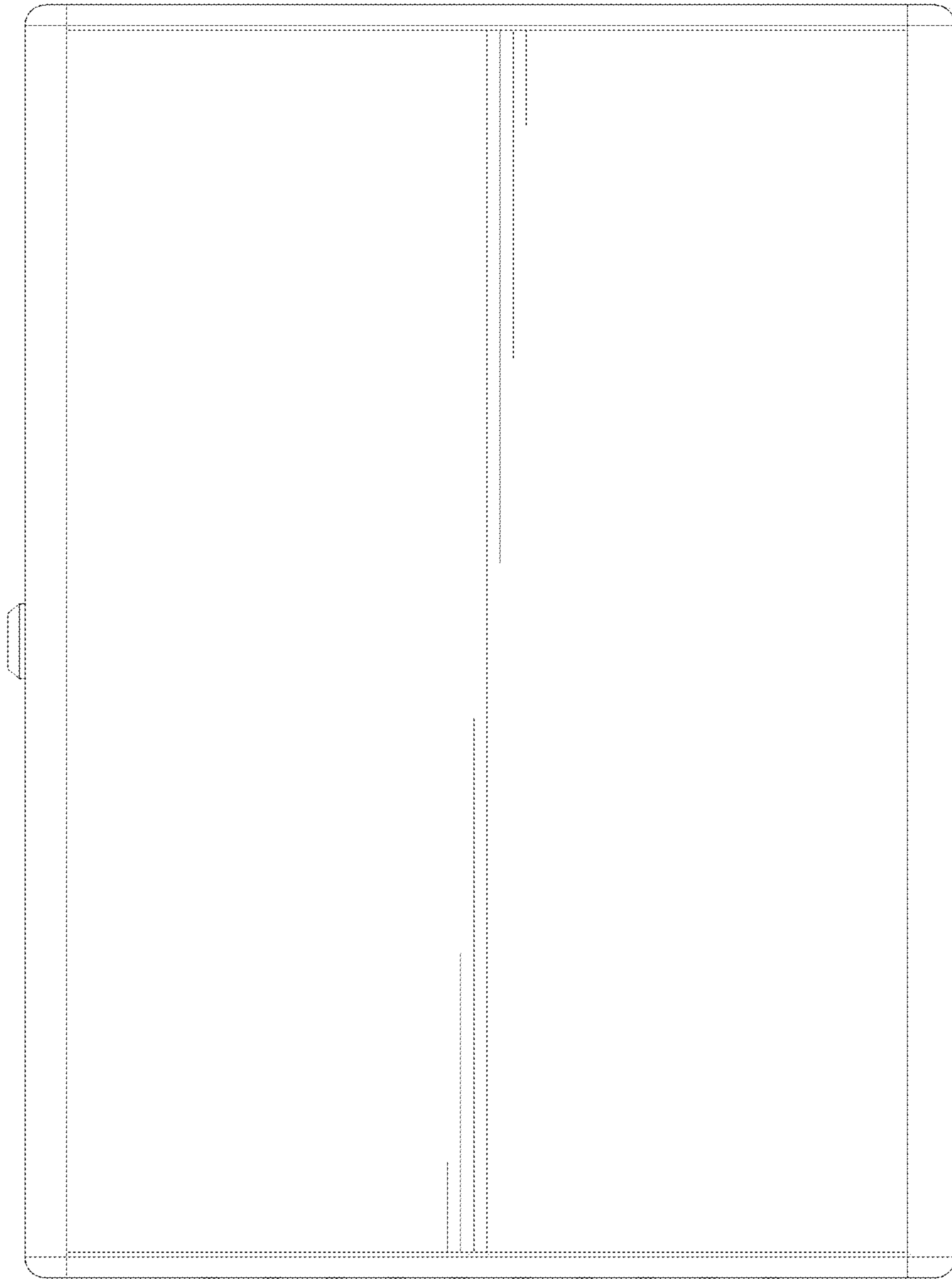


FIG. 7

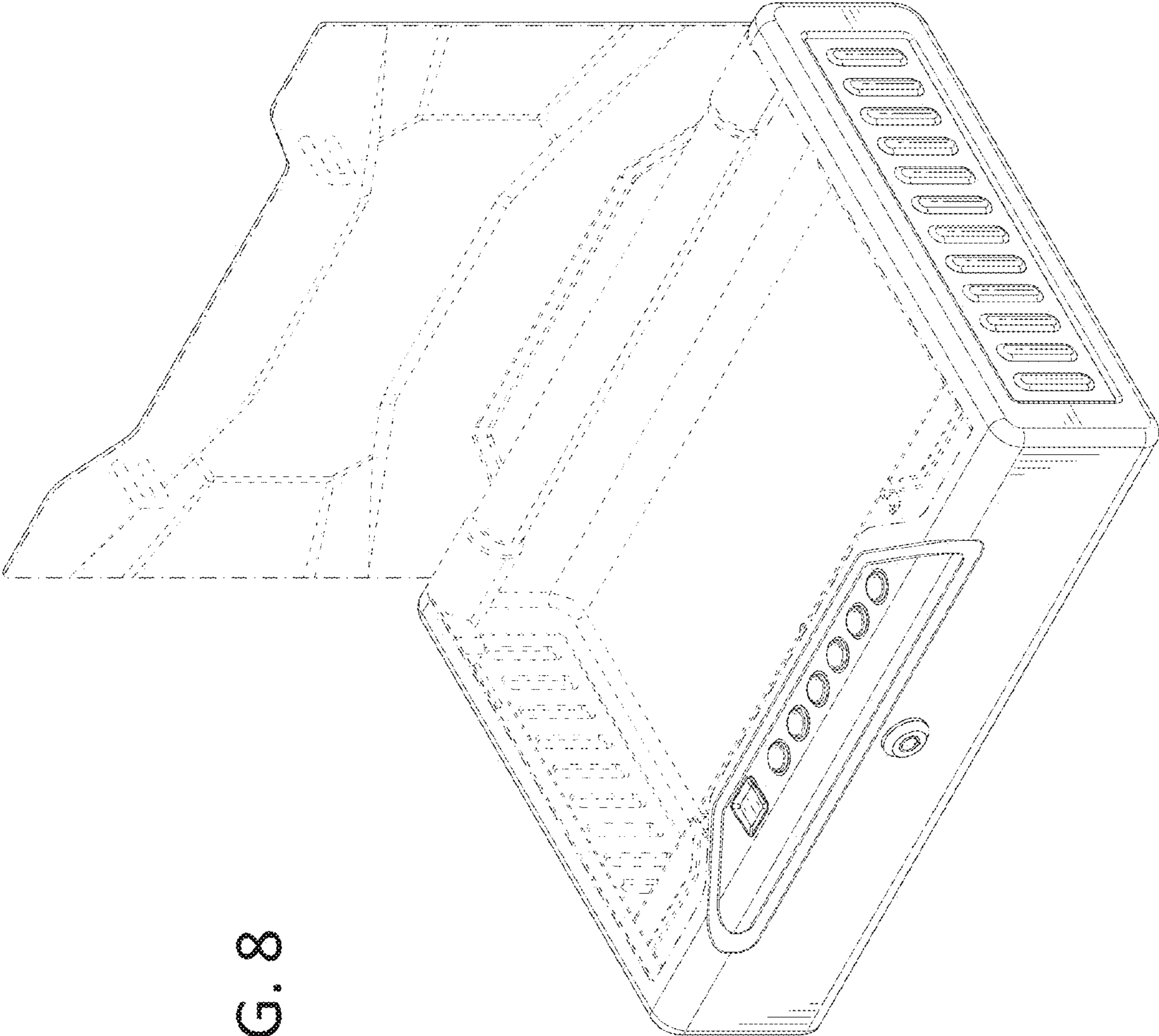


FIG. 8