

US00D939803S

(12) **United States Design Patent** (10) **Patent No.:** **US D939,803 S**
Madison (45) **Date of Patent:** **** Dec. 28, 2021**

(54) **MEMORIAL CABINET**
(71) Applicant: **William Madison**, Goshen, IN (US)
(72) Inventor: **William Madison**, Goshen, IN (US)
(**) Term: **15 Years**
(21) Appl. No.: **29/736,199**
(22) Filed: **May 28, 2020**
(51) **LOC (13) Cl.** **99-00**
(52) **U.S. Cl.**
USPC **D99/17; D99/25; D99/5**
(58) **Field of Classification Search**
USPC D99/17, 5, 3, 21, 25, 33; 27/1, 10;
D6/560, 559, 661, 663, 671.1; D14/217,
D14/218; D3/903; 40/724, 124.5, 455;
312/351, 310, 222, 114, 280, 309, 204,
312/305, 205, 227, 245, 117, 119, 279,
312/234, 283, 100, 201; 361/369.02;
206/0.83, 566, 581, 373, 457; 52/140,
52/142, 139; 381/334, 123; 232/43.2;
292/76
CPC A61G 17/00; A47B 81/00; A47B 45/00;
A47B 67/02; G09B 5/00; H04R 1/02;
H04R 9/06
See application file for complete search history.

(56) **References Cited**
U.S. PATENT DOCUMENTS
1,062,962 A * 5/1913 Gaal A47B 67/005
312/227
1,131,283 A * 3/1915 Stewart A47F 3/00
312/117
1,667,564 A * 4/1928 Pearson A45C 5/005
312/201

(Continued)

Primary Examiner — Paula Allen Greene

(57) **CLAIM**

The ornamental designs for a memorial cabinet, as shown and described.

DESCRIPTION

FIG. 1 is a front right perspective view of the memorial cabinet showing my new design, it being understood that the phantom lines are for illustrative purposes only and form no part of the claimed design;

FIG. 2 is a front left perspective view of the memorial cabinet of FIG. 1, it being understood that the phantom lines are for illustrative purposes only and form no part of the claimed design;

FIG. 3 is a front view of the memorial cabinet of FIG. 1, it being understood that the phantom lines are for illustrative purposes only and form no part of the claimed design;

FIG. 4 is a rear view of the memorial cabinet of FIG. 1;

FIG. 5 is a left view of the memorial cabinet of FIG. 1;

FIG. 6 is a rear left perspective view of the memorial cabinet of FIG. 1;

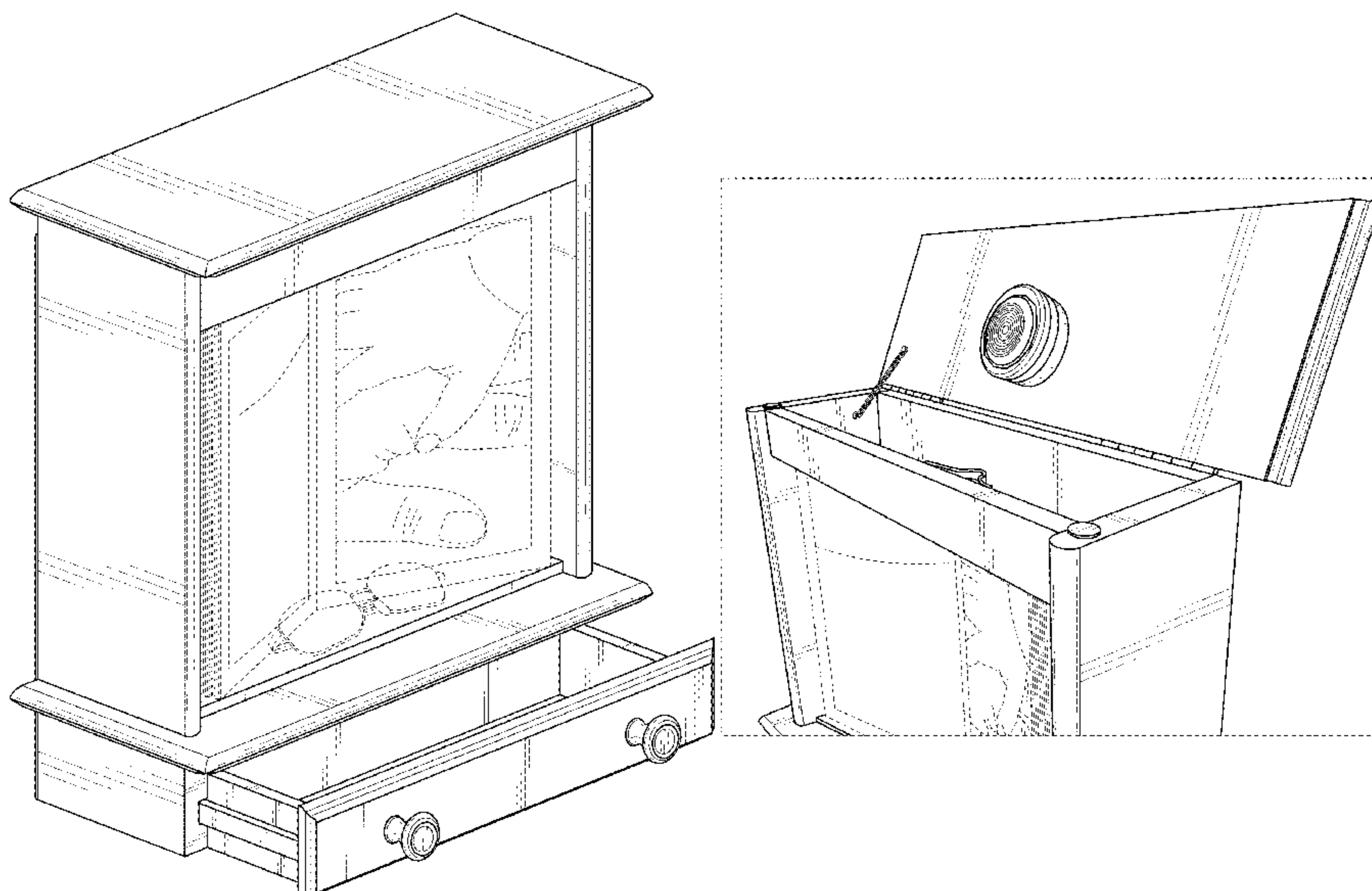
FIG. 7 is a front left perspective view of the memorial cabinet of FIG. 1 having a drawer thereof in an open position, it being understood that the phantom lines are for illustrative purposes only and form no part of the claimed design;

FIG. 8 is a partial front right perspective view of the memorial cabinet of FIG. 1 having a drawer thereof in an open position, it being understood that the phantom lines are for illustrative purposes only and form no part of the claimed design; and,

FIG. 9 is a partial top front right perspective view of the memorial cabinet of FIG. 1 having a top thereof in an open position, it being understood that the phantom lines are for illustrative purposes only and form no part of the claimed design.

The phantom or broken lines immediately adjacent the shaded areas represent the bounds of the claimed design while all other phantom or broken lines are environment; the phantom or broken lines form no part of the claimed design.

1 Claim, 9 Drawing Sheets



(56)

References Cited

U.S. PATENT DOCUMENTS

1,776,464 A *	9/1930	Blackman	A47B 67/02 312/227	5,553,426 A *	9/1996	Ostergaard	E04H 13/003 40/124.5
1,984,345 A *	12/1934	Kennedy	B25H 3/02 312/290	5,569,868 A *	10/1996	Leung	G09B 5/062 434/169
2,004,900 A *	6/1935	Nock	A47B 87/02 312/107	5,603,558 A *	2/1997	Zimmer	A47B 81/00 206/566
D108,756 S *	3/1938	Swanson	D6/559	D383,278 S *	9/1997	Jennings	D34/1
2,166,430 A *	7/1939	Green	A47B 67/02 49/70	5,678,289 A *	10/1997	Saaf	A61G 17/041 27/2
2,230,200 A *	1/1941	Gauvreau	A47F 3/005 312/114	5,704,103 A *	1/1998	Crowley	E04H 13/003 27/1
2,355,731 A *	8/1944	James	A47F 3/001 362/125	5,732,515 A *	3/1998	Rodrigues	E04H 13/003 312/102
2,393,238 A *	1/1946	Dailey	F25D 11/022 62/258	5,853,235 A *	12/1998	Barnes	A47F 3/002 312/117
2,690,870 A *	10/1954	Harman	B65F 1/10 232/43.2	5,950,288 A *	9/1999	Bach Lahor	A61G 17/007 27/1
3,000,685 A *	9/1961	Gross	A45C 11/16 312/290	D415,514 S *	10/1999	Grimaldi	D16/321
3,085,839 A	4/1963	Gallagher		D415,527 S *	10/1999	Haas	D11/122
3,554,625 A *	1/1971	Sly, Sr.	A47F 7/03 312/234	D436,484 S	1/2001	Harwanko	
3,594,937 A *	7/1971	Luchsinger	B42D 15/04 40/124.03	D442,410 S	5/2001	Winter	
3,809,352 A *	5/1974	Mathias	A47B 23/042 248/444.1	D448,202 S	9/2001	Brooking	
3,928,928 A *	12/1975	Kalust	G09F 27/00 40/455	D450,968 S	11/2001	Winter	
3,930,702 A	1/1976	Pichowicz		D468,560 S	1/2003	Riga	
D248,354 S *	7/1978	Hazzard	D6/301	D484,344 S	12/2003	Walker	
D251,166 S	2/1979	McIntosh		6,735,831 B1 *	5/2004	Greiwe	A61G 17/0106 27/1
D254,635 S *	4/1980	Earle	D99/33	D504,266 S *	4/2005	Clucas	D6/559
4,303,158 A *	12/1981	Perkins	B25H 3/02 206/373	D547,100 S *	7/2007	Walker	D6/559
4,324,026 A *	4/1982	Craft	A61G 17/08 27/1	7,251,869 B1 *	8/2007	Brown, Sr	A61G 17/00 27/2
D275,916 S *	10/1984	Brandel	D6/661	7,356,154 B1 *	4/2008	Kotzin	H04R 1/028 381/123
4,681,381 A *	7/1987	Sevey	A47B 88/43 312/333	D606,349 S *	12/2009	Winter	D6/559
4,746,009 A *	5/1988	Liberman	G09F 5/02 190/16	7,665,881 B2 *	2/2010	Elam	F21S 9/037 362/641
D319,155 S *	8/1991	Powell	D6/671.1	7,837,282 B2 *	11/2010	Youngs	A47B 47/02 312/351
5,141,300 A *	8/1992	Ciesla	A47B 9/00 206/566	8,196,275 B2 *	6/2012	Wessel	A61G 17/0405 27/10
5,277,307 A *	1/1994	Kelly	A47G 1/14 206/232	D668,833 S *	10/2012	De Togni	D99/5
5,546,710 A *	8/1996	Barry	E04H 13/003 52/104	D672,271 S *	12/2012	Ellis	D11/132
				D721,864 S	1/2015	Adler	
				D721,865 S	1/2015	Adler	
				D748,363 S *	1/2016	Hackett	D99/5
				D808,108 S *	1/2018	Miwa	D99/5
				D812,932 S *	3/2018	Fraser	D6/657
				D852,552 S *	7/2019	Bitton	D6/671.1
				D863,258 S *	10/2019	Song	D14/218
				D879,403 S *	3/2020	Teague	D99/17
				D925,860 S *	7/2021	Miller	D99/5
				2019/0186173 A1 *	6/2019	Johnson	A47B 77/02

* cited by examiner

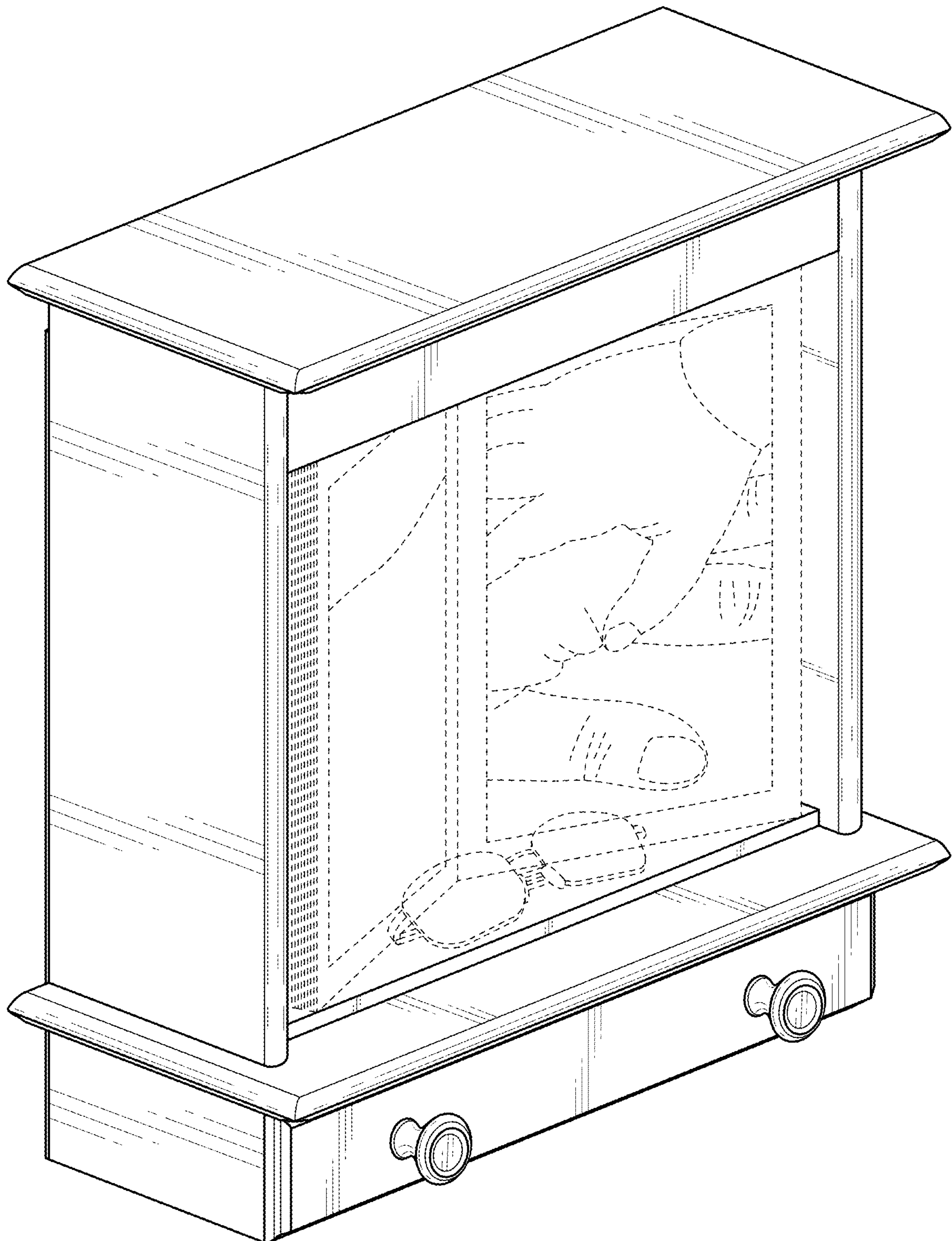


FIG. 1

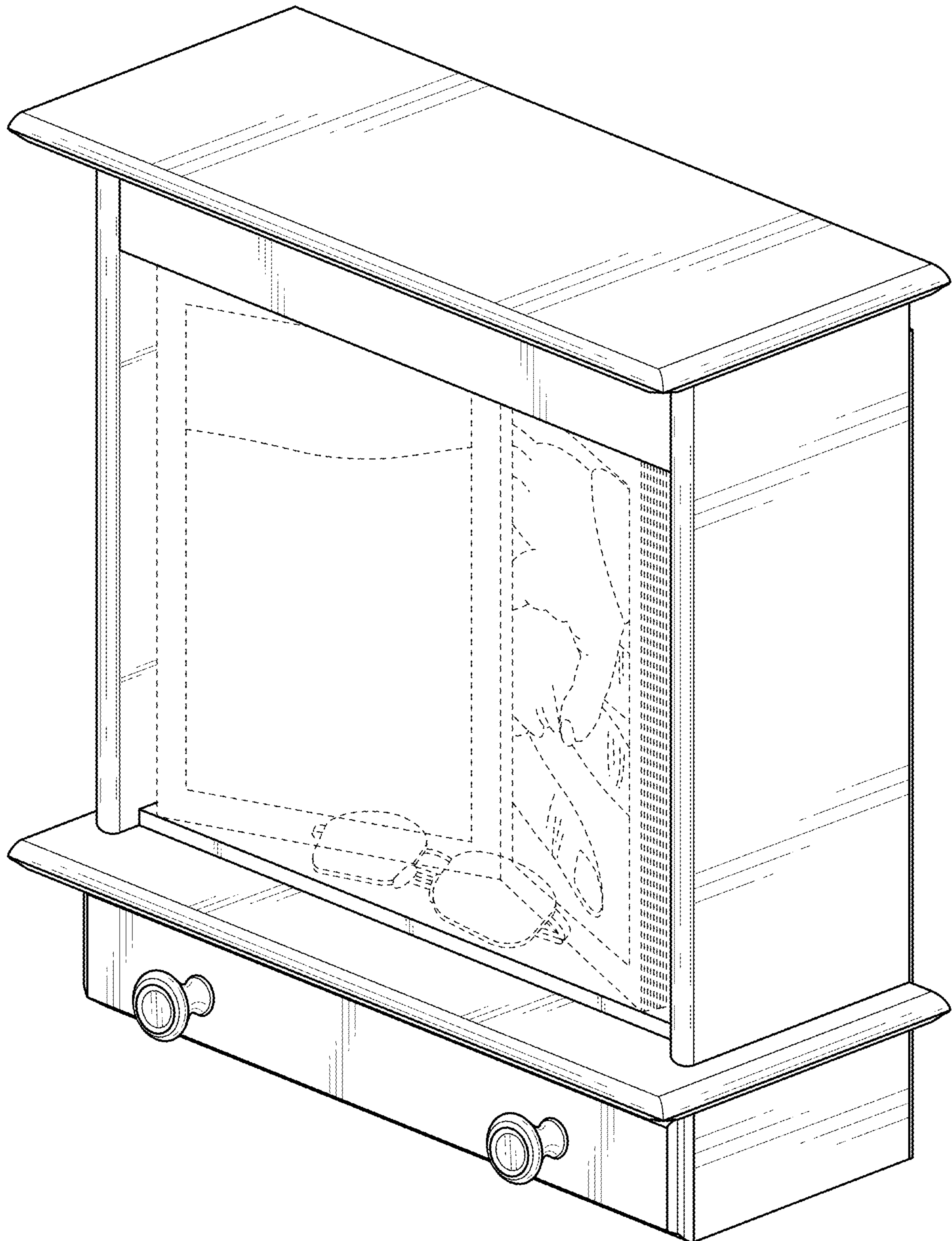


FIG. 2

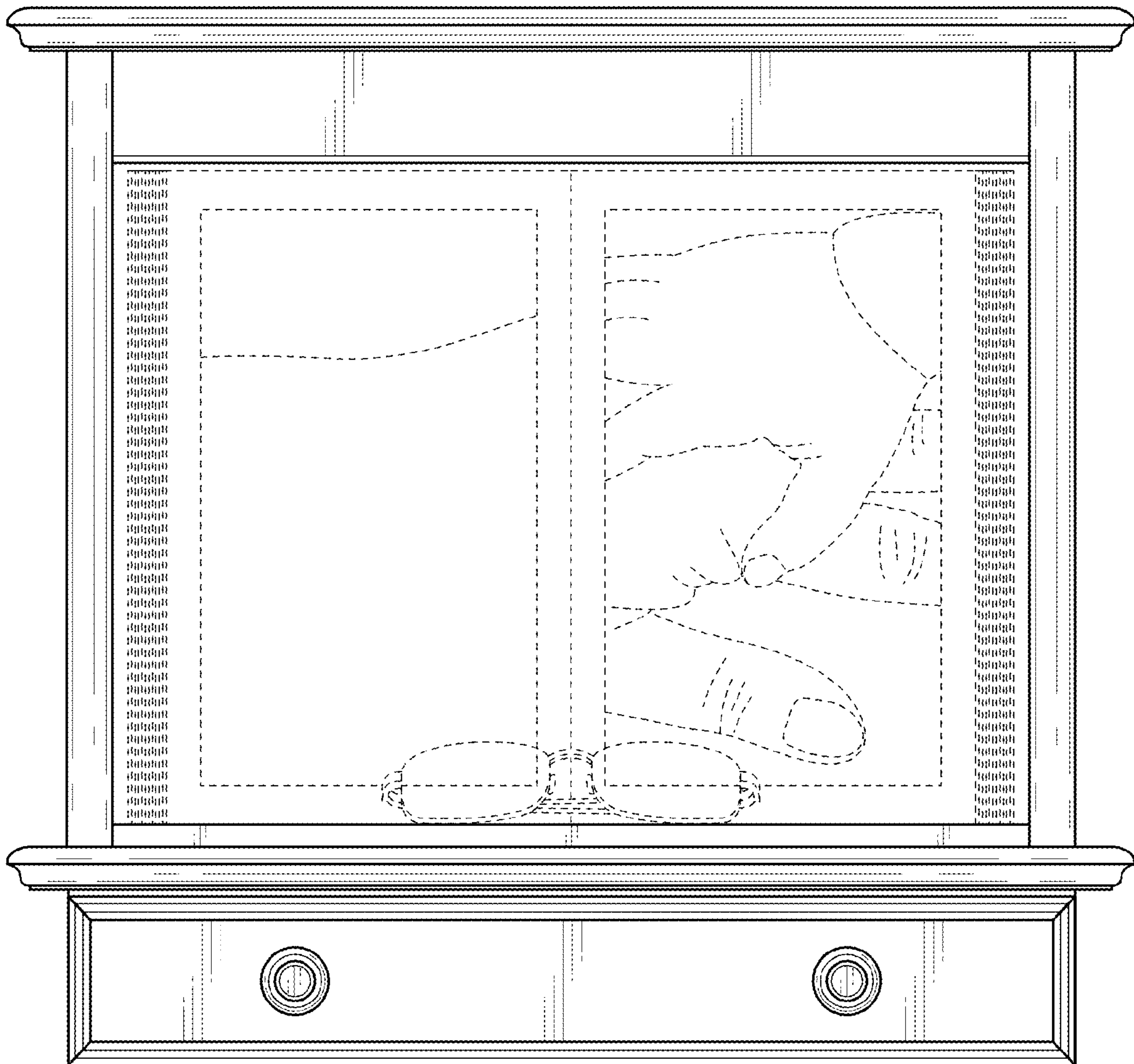


FIG. 3

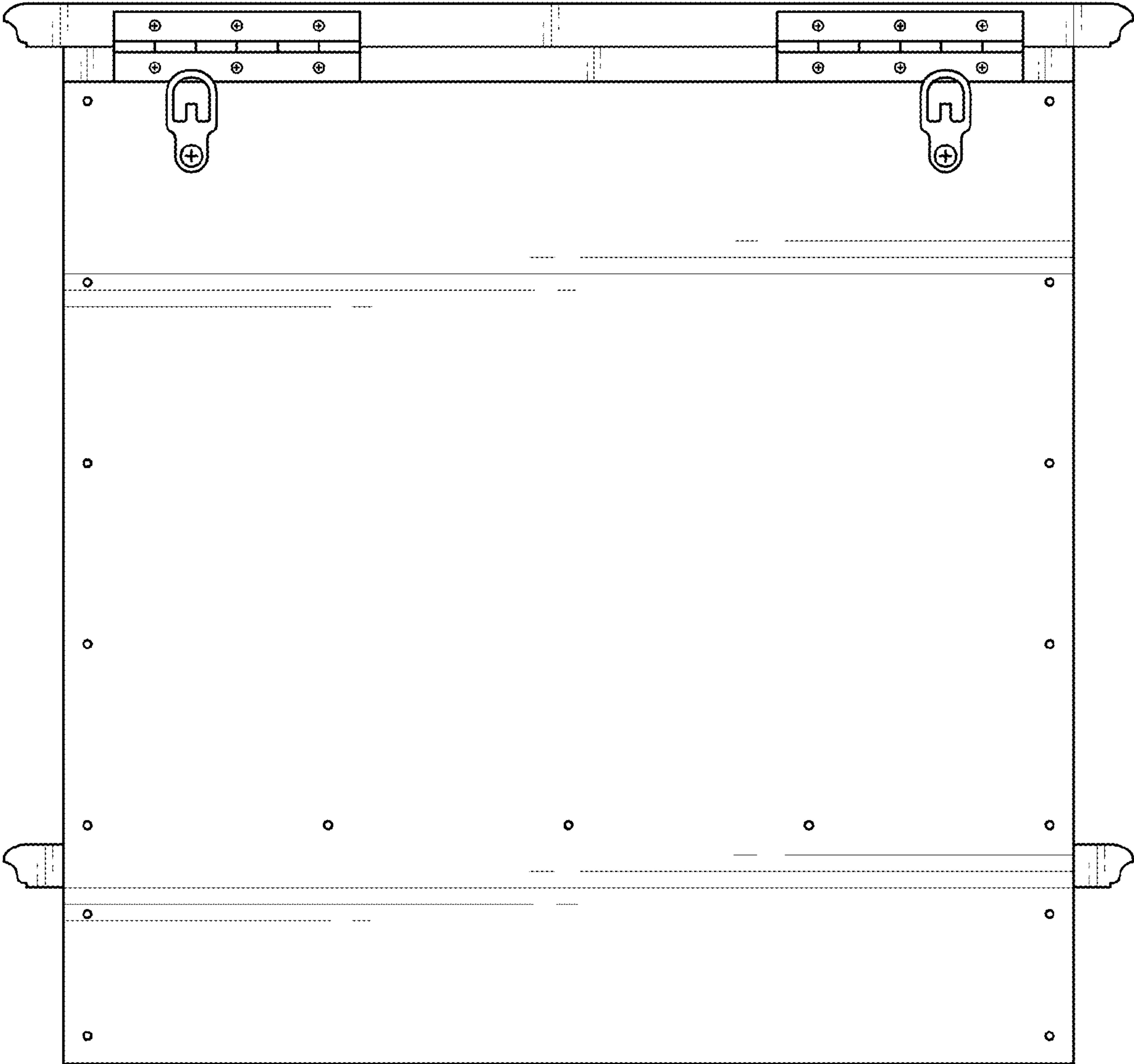


FIG. 4

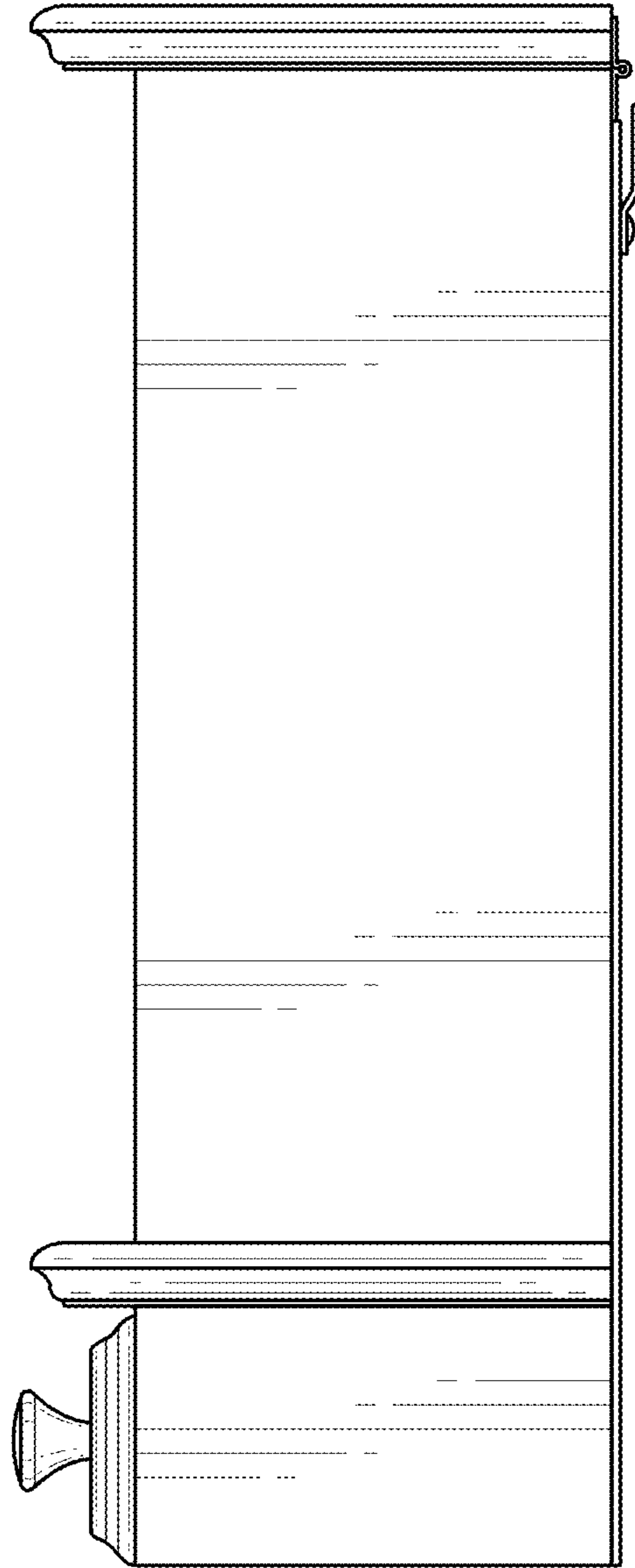


FIG. 5

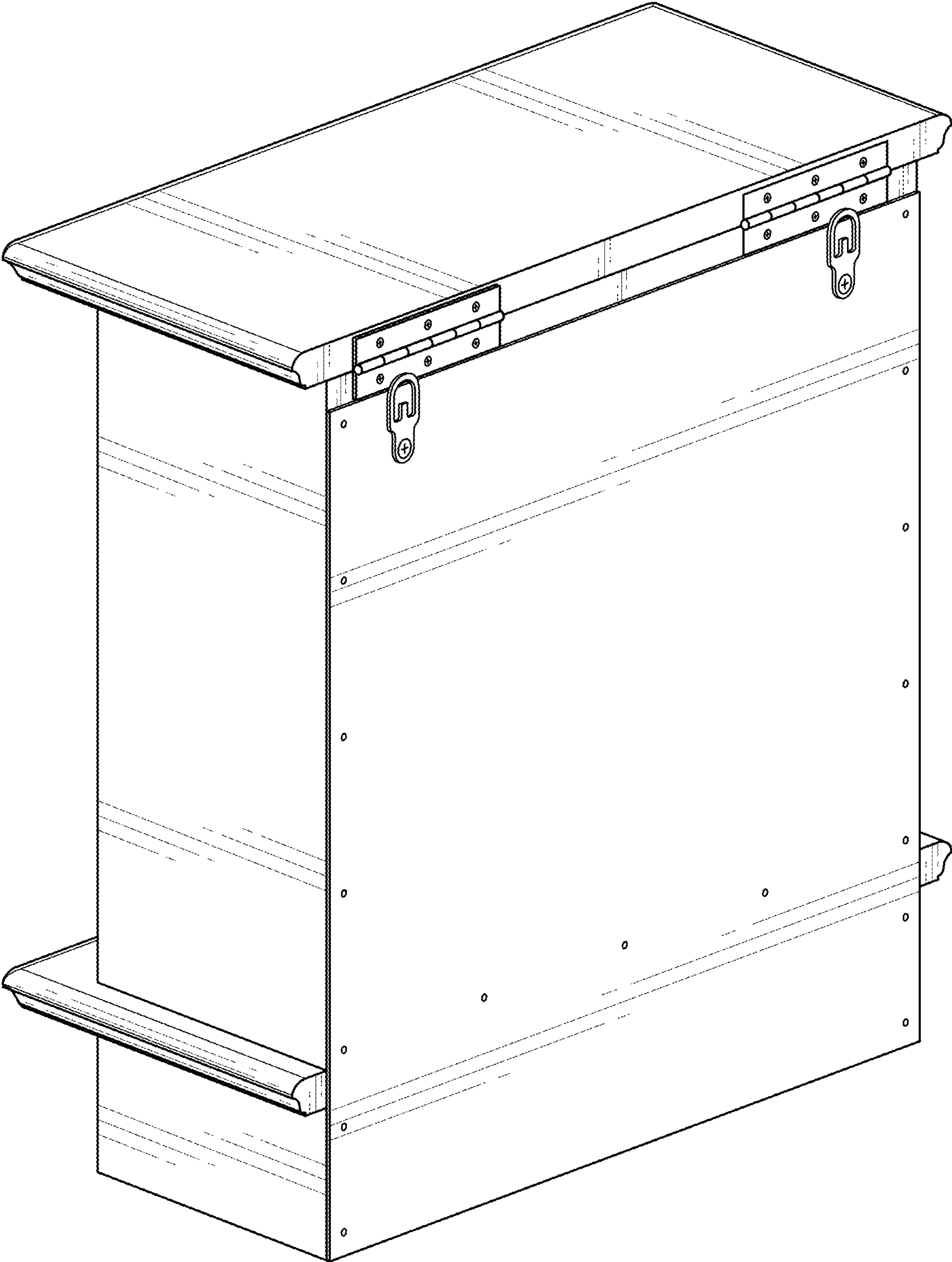


FIG. 6

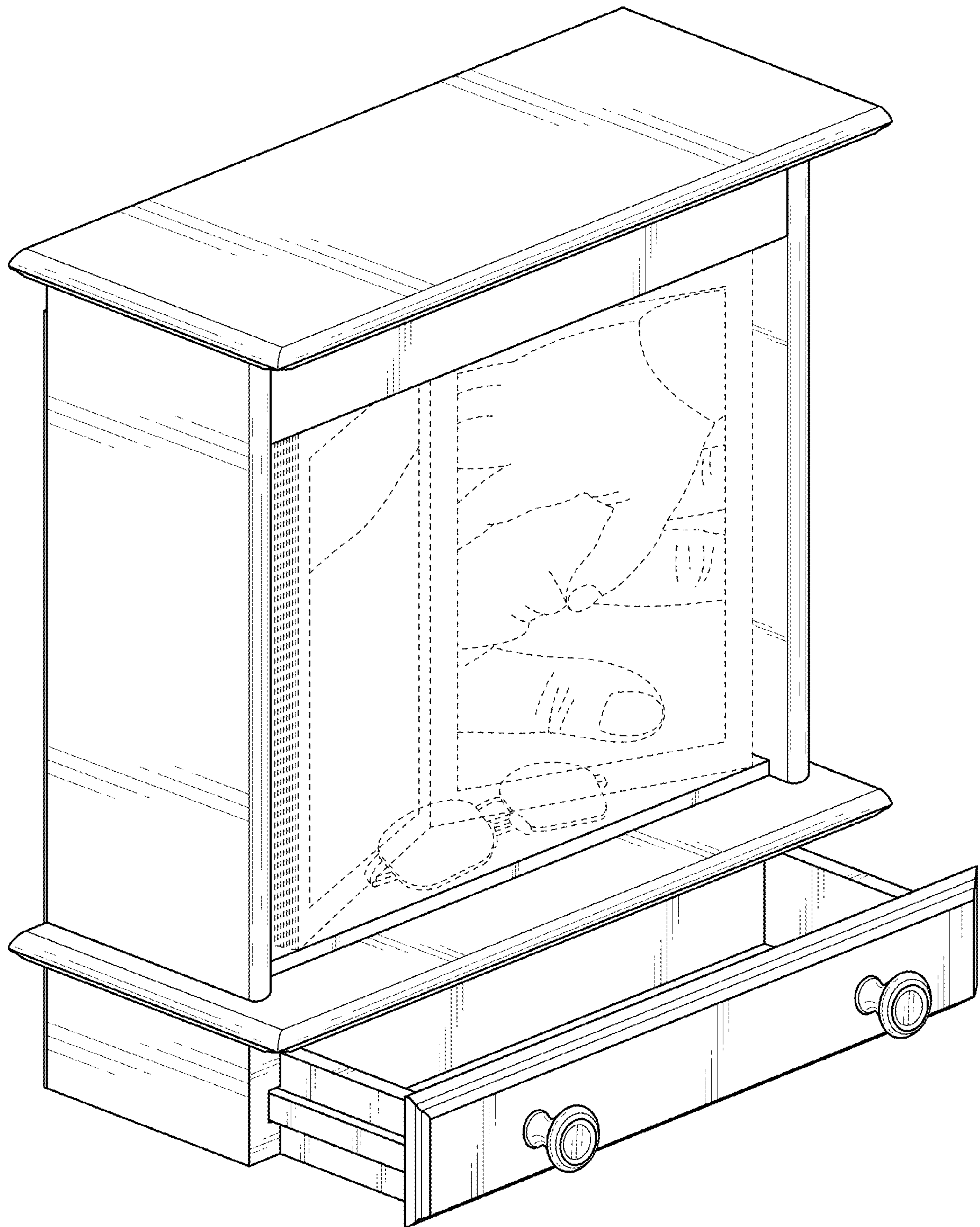


FIG. 7

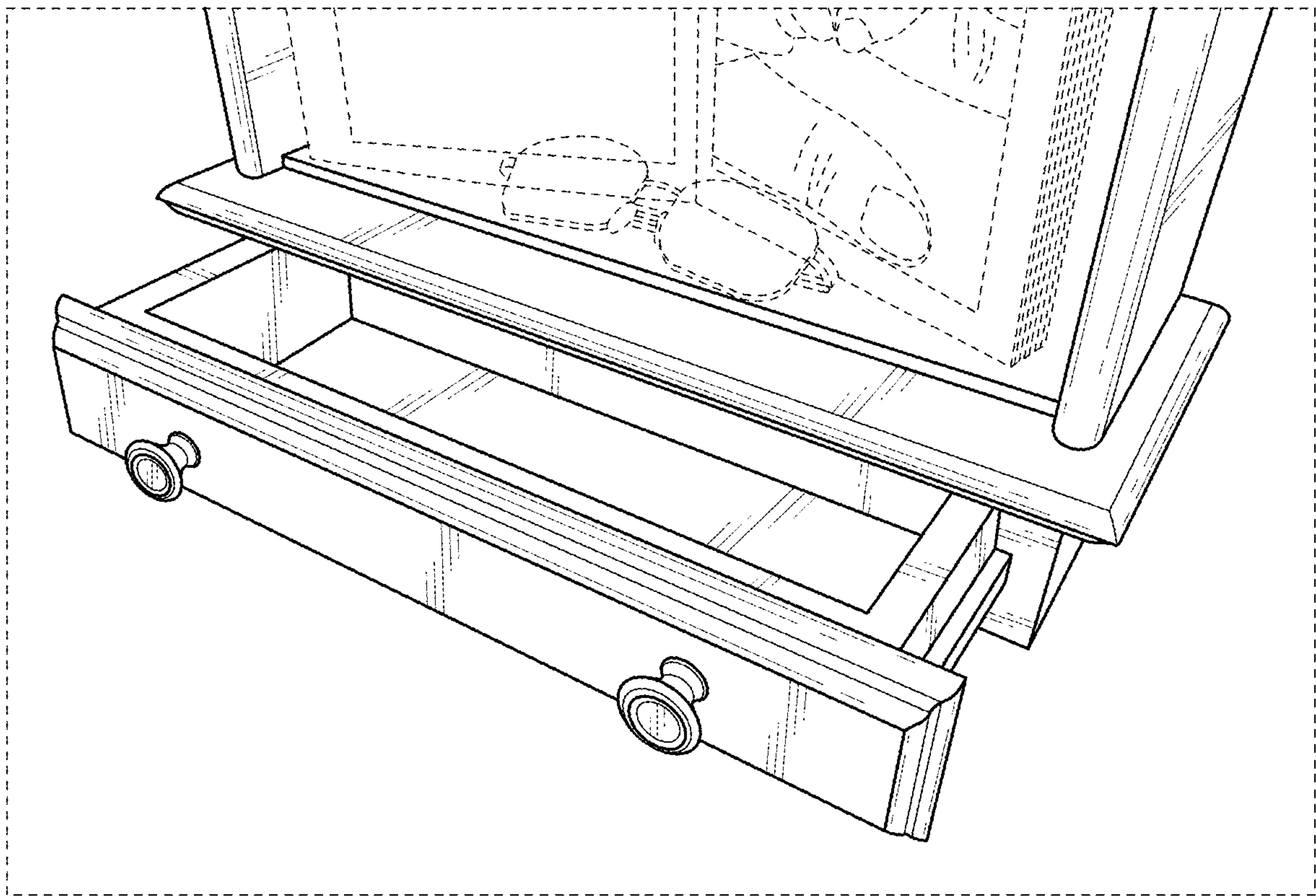


FIG. 8

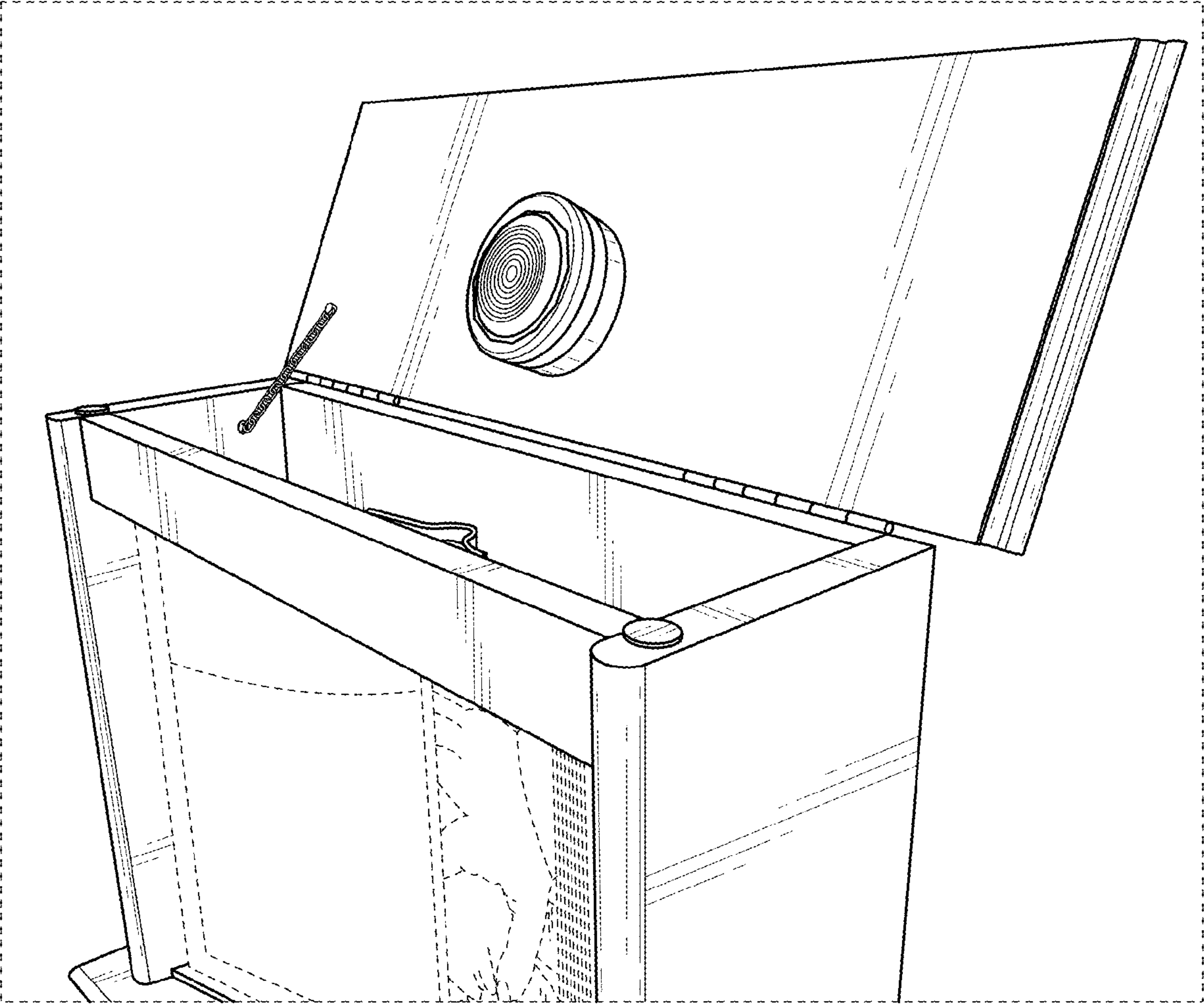


FIG. 9