



US00D939800S

(12) **United States Design Patent**
Ben-Simon

(10) **Patent No.:** **US D939,800 S**

(45) **Date of Patent:** **** Dec. 28, 2021**

- (54) **SWIMMING POOL CLEANER**
- (71) Applicant: **MAYTRONICS LTD.**, Kibbutz Yizrael (IL)
- (72) Inventor: **Jackov-Guy Ben-Simon**, Yokneam (IL)
- (73) Assignee: **MAYTRONICS LTD.**, Kibbutz (IL)
- (**) Term: **15 Years**
- (21) Appl. No.: **29/733,566**
- (22) Filed: **May 4, 2020**
- (30) **Foreign Application Priority Data**

Feb. 2, 2020 (EP) 007664222-0004

(51) **LOC (13) Cl.** **15-05**

(52) **U.S. Cl.**
USPC **D32/25**

(58) **Field of Classification Search**
USPC D8/375; D15/28, 29, 579; D32/15, 21, D32/25, 33
CPC ... E04H 4/1654; E04H 4/1636; A63H 17/262; B24B 23/02; B62D 55/088; B24D 13/10; B24D 5/066; B24D 5/16; B24D 13/20; B23F 21/16; B23F 23/1231; F16H 3/34; A01C 7/18; A01B 21/08; A01B 35/28
See application file for complete search history.

(56) **References Cited**

U.S. PATENT DOCUMENTS

- 2,776,529 A * 1/1957 Osplack B23F 23/1231 451/47
- 4,299,051 A * 11/1981 Pauly A63H 17/262 301/118
- 4,391,335 A * 7/1983 Birkenbach A01B 35/28 172/540
- 4,920,599 A * 5/1990 Rief E04H 4/1636 15/1.7
- 5,190,363 A * 3/1993 Brittain B62D 55/088 305/137
- 5,197,158 A * 3/1993 Moini E04H 4/1654 15/1.7
- 5,284,039 A * 2/1994 Torgerson B24D 13/20 72/53

- 5,338,134 A * 8/1994 Peng B23F 21/16 407/23
- D396,863 S * 8/1998 Bruns D15/28
- D429,393 S * 8/2000 Rief D32/25
- D443,737 S * 6/2001 Rief D32/15
- D444,280 S * 6/2001 Rief D32/21
- 6,949,019 B2 * 9/2005 Wentworth B24D 5/06 451/466
- D516,260 S * 2/2006 Chen D32/25
- 7,144,315 B1 * 12/2006 Sun B24D 5/16 451/541
- 7,722,442 B2 * 5/2010 Jones B24D 5/066 451/192
- 8,007,347 B1 * 8/2011 Lampka B24B 23/02 451/358
- 8,197,309 B2 * 6/2012 Lee B24D 13/10 451/342

(Continued)

OTHER PUBLICATIONS

Wifi Caddy <https://www.azpoolsupplies.com/dolphin-m600-robotic-cleaner-w-wifi-caddy/> (Year: 2021).*

(Continued)

Primary Examiner — Michelle E. Wilson
Assistant Examiner — Richard E Yenchesky
(74) *Attorney, Agent, or Firm* — ISUS Intellectual Property PLLC; Anthony Jason Mirabito

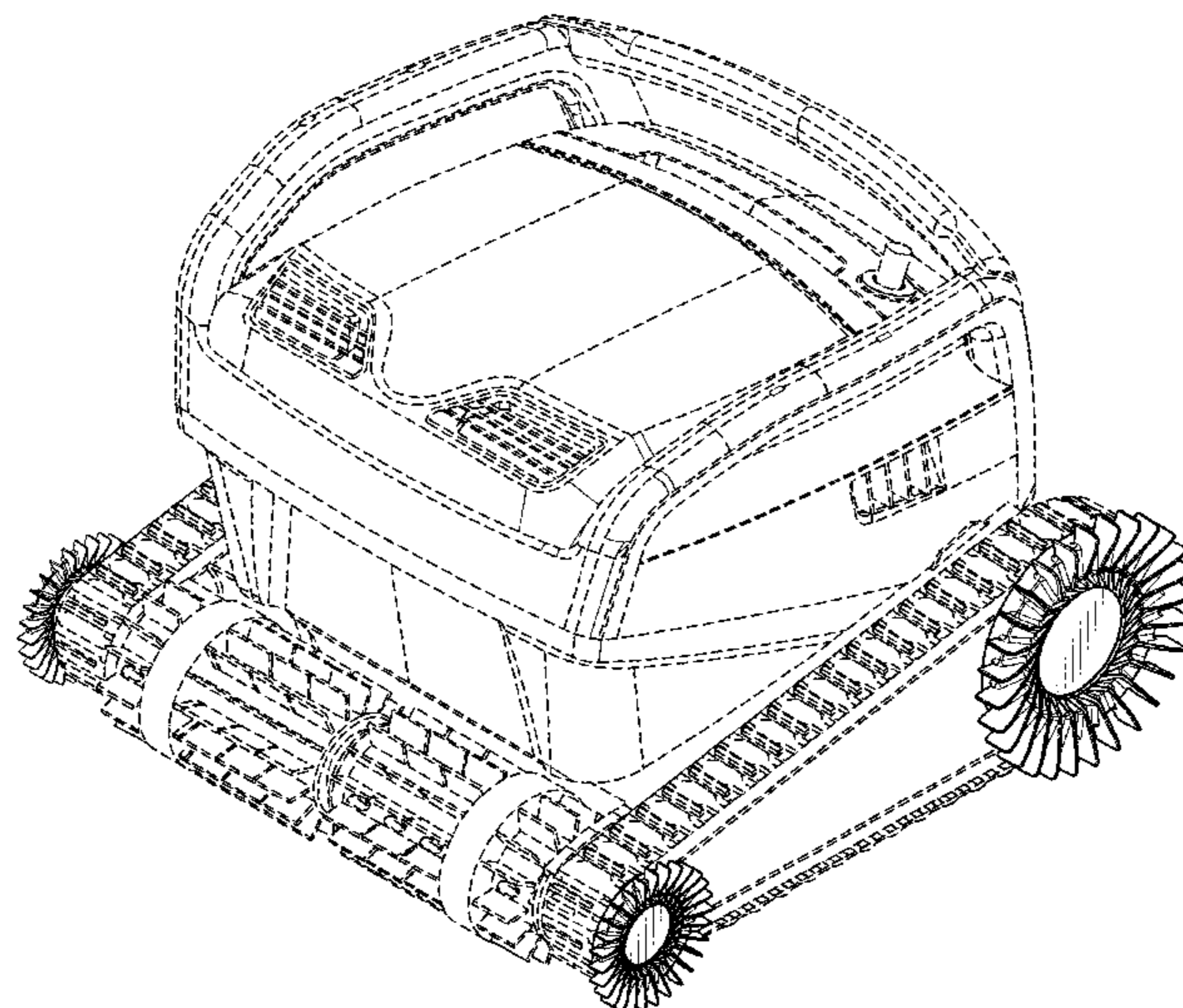
(57) **CLAIM**

The ornamental design for a swimming pool cleaner, as shown and described.

DESCRIPTION

FIG. 1 is a top perspective view of the new design. FIG. 2 is a rear elevation view of the new design. FIG. 3 is a front elevation view of the new design. FIG. 4 is a right elevation view of the new design. FIG. 5 is a left elevation view of the new design. FIG. 6 is a bottom plan view of the new design; and, FIG. 7 is a top plan view of the new design. The broken lines in the drawings are for illustrative purposes only and form no part of the claimed design.

1 Claim, 7 Drawing Sheets



(56)

References Cited

U.S. PATENT DOCUMENTS

9,032,575 B2 * 5/2015 Sebor E04H 4/1654
15/1.7
D787,761 S * 5/2017 Mainville D32/21
D789,624 S * 6/2017 Mainville D32/21
D792,198 S * 7/2017 Cnich D8/375
D794,089 S * 8/2017 Maibach D15/29
D801,396 S * 10/2017 Whalen D15/29
10,036,175 B2 * 7/2018 Sebor E04H 4/1654
10,246,894 B2 * 4/2019 Deloche E04H 4/1654
10,624,252 B2 * 4/2020 Nance A01B 21/08
10,731,732 B2 * 8/2020 Stoltz F16H 3/34
D898,778 S * 10/2020 Brandt D15/17
D906,232 S * 12/2020 Fahey D12/579
D914,065 S * 3/2021 Bhosale D15/28
D916,142 S * 4/2021 Donadon A01C 7/18
D15/12
2013/0031729 A1 * 2/2013 Bernini E04H 4/1654
15/1.7

OTHER PUBLICATIONS

Dolphin Zenit <https://www.buyaswimmingpool.co.uk/dolphin-zenit-60-robotic-pool-cleaner.html> (Year: 2021).*

* cited by examiner

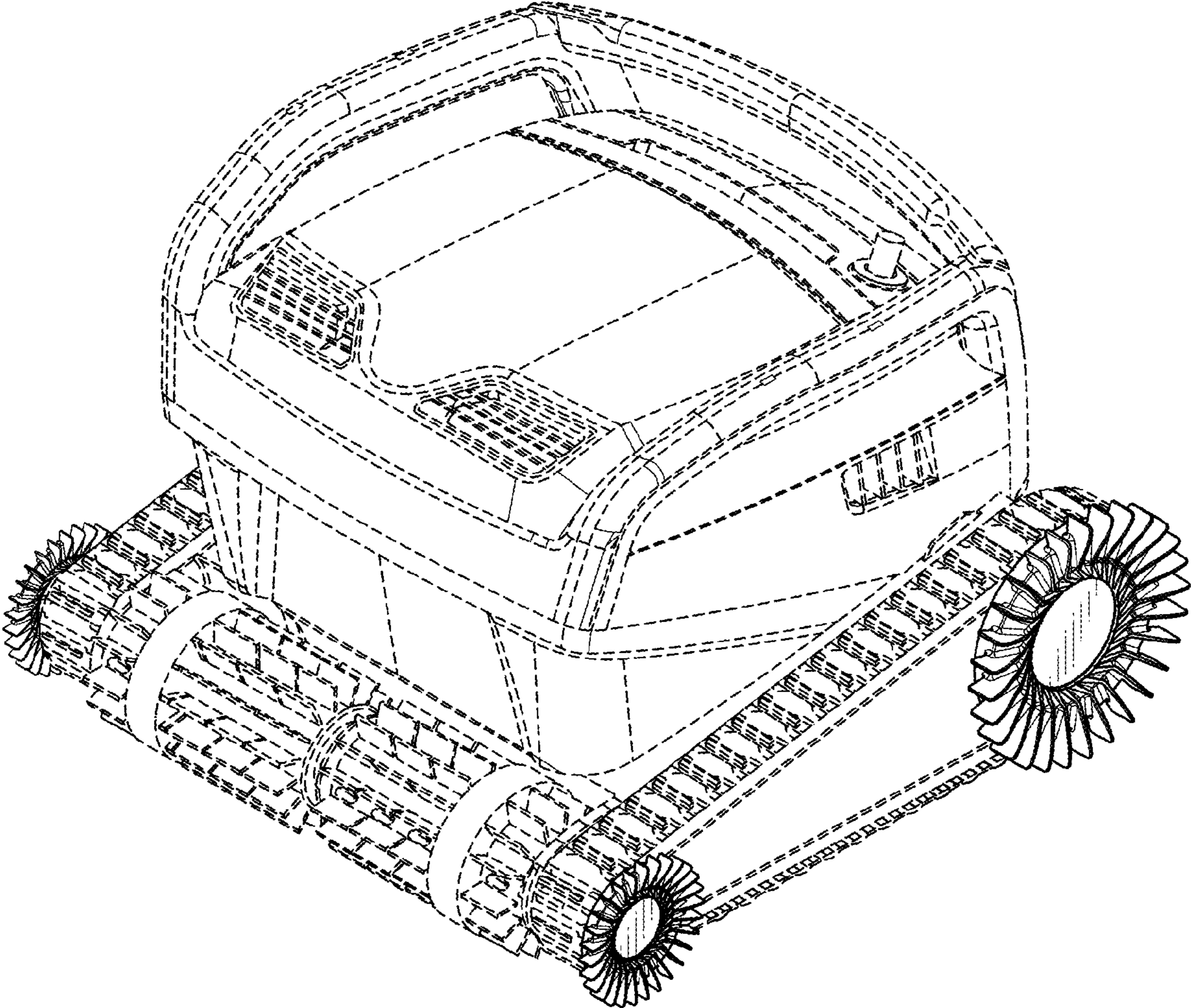


FIG. 1

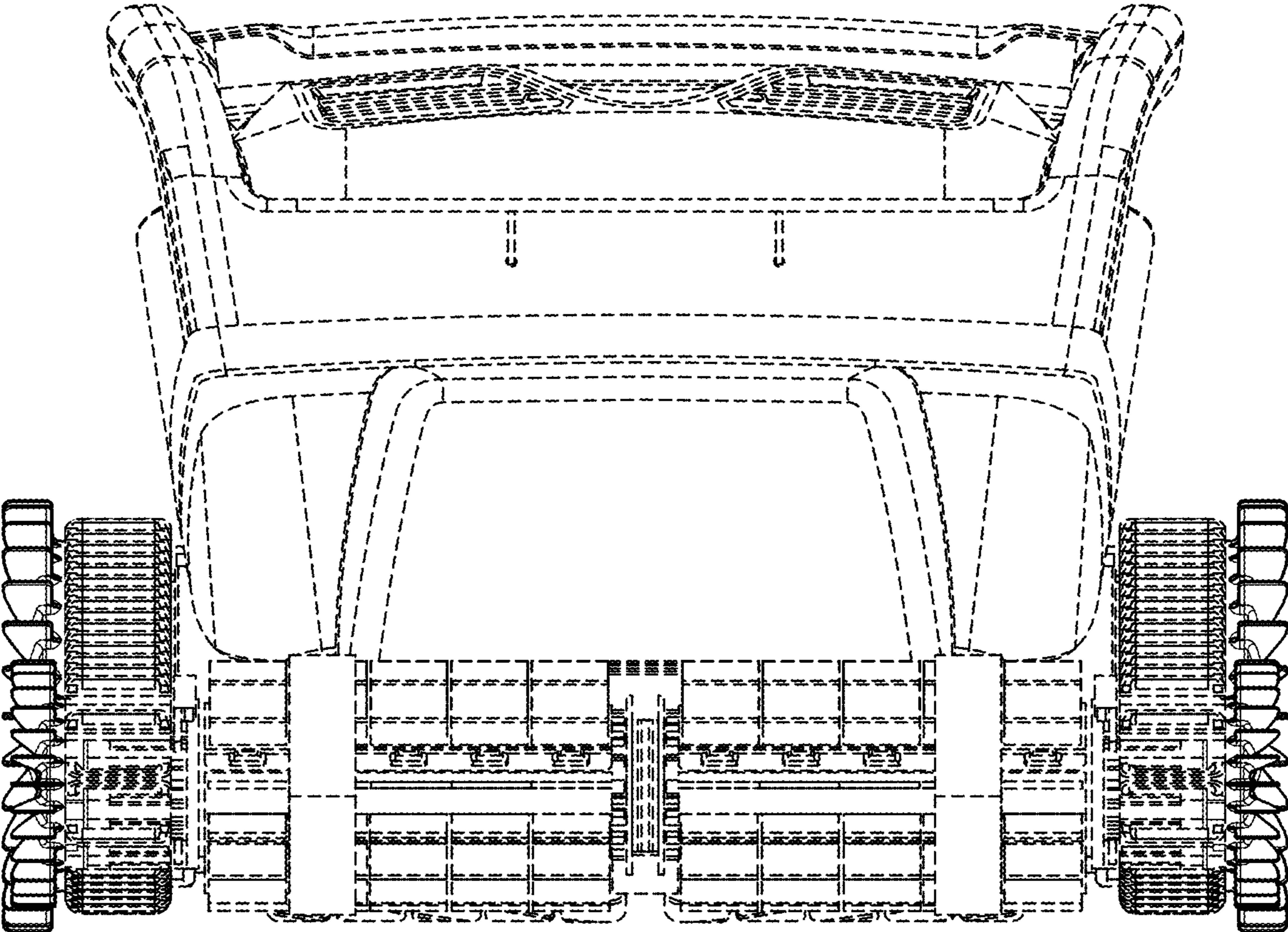


FIG. 2

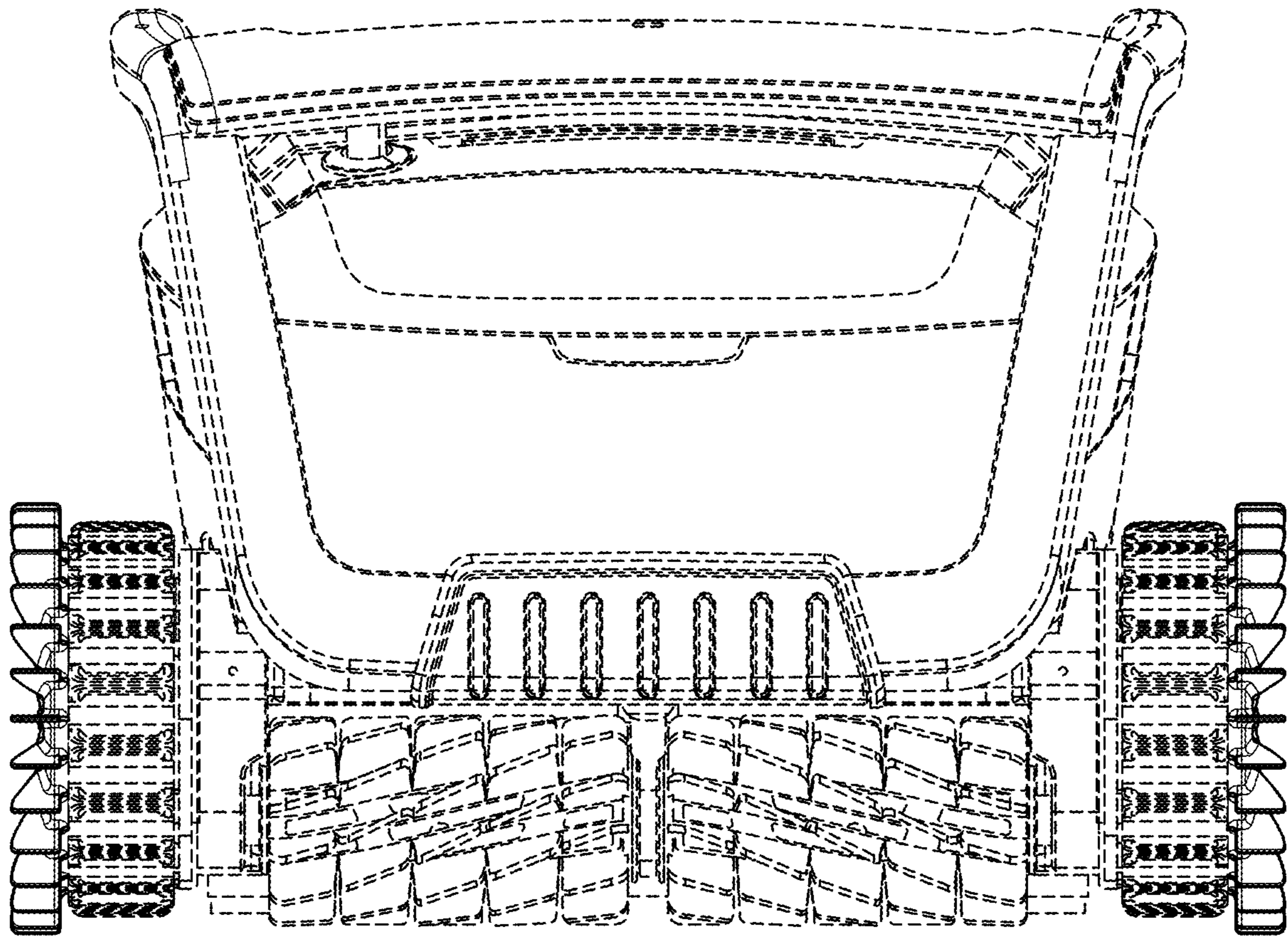


FIG. 3

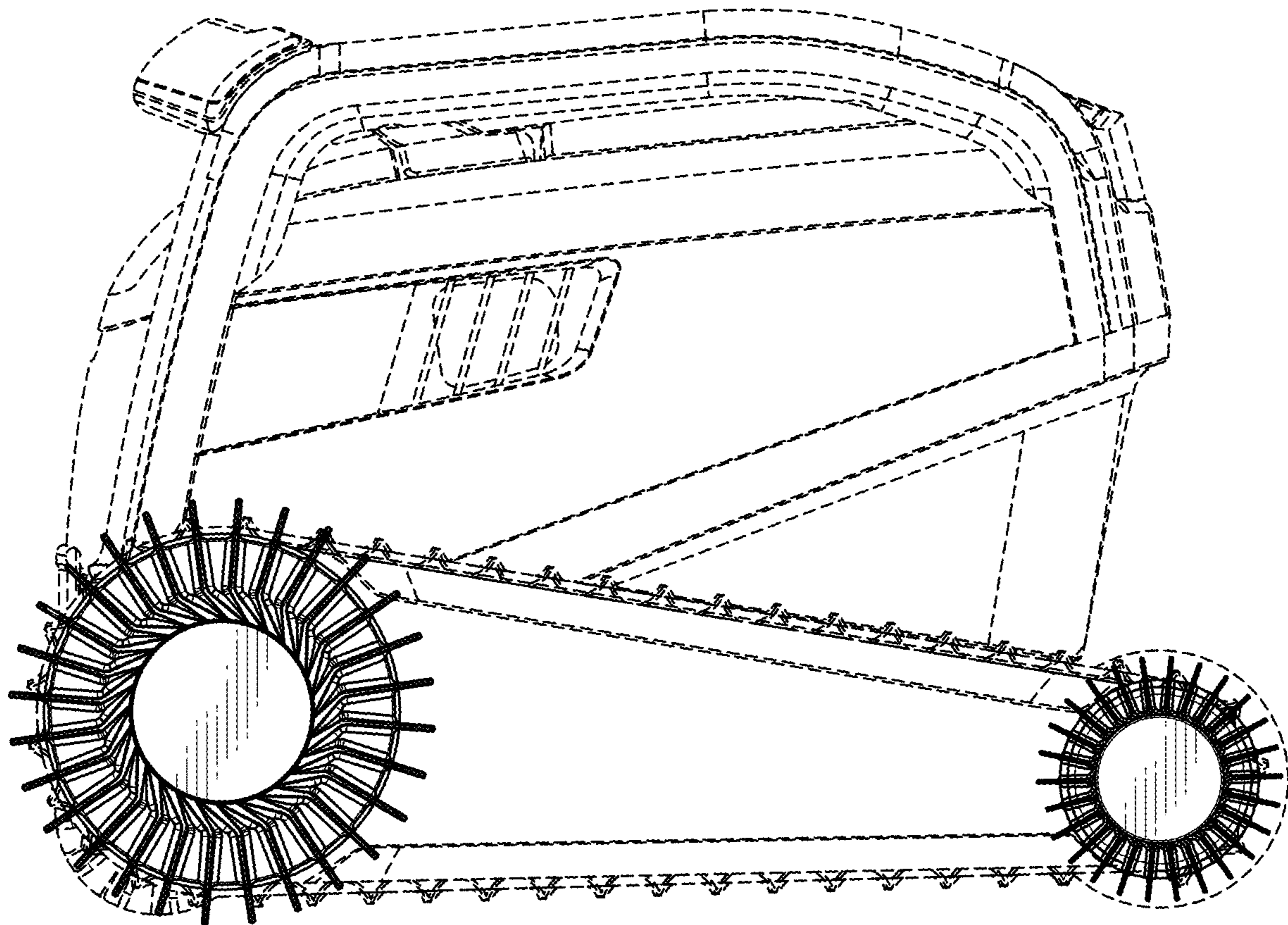


FIG. 4

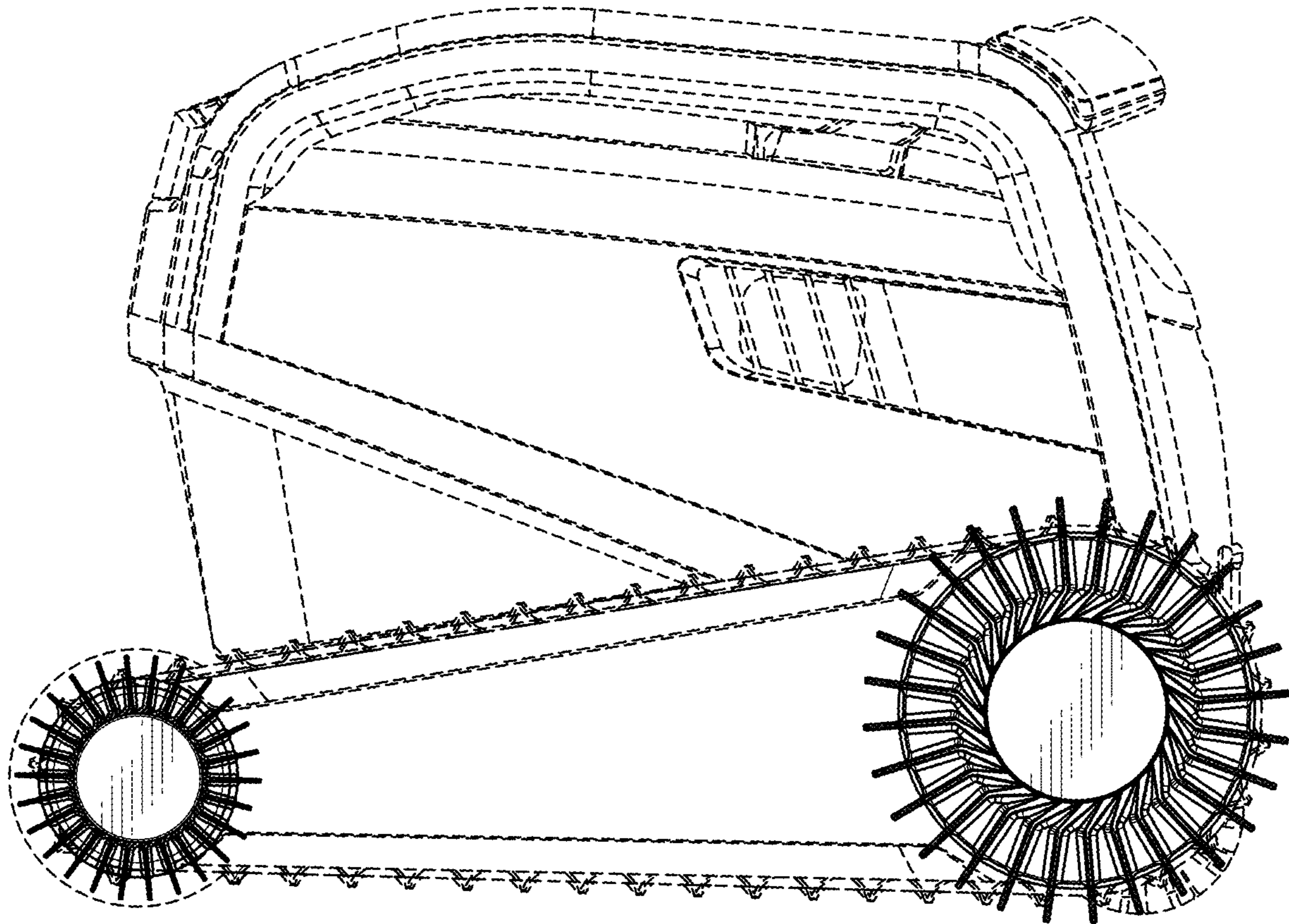


FIG. 5

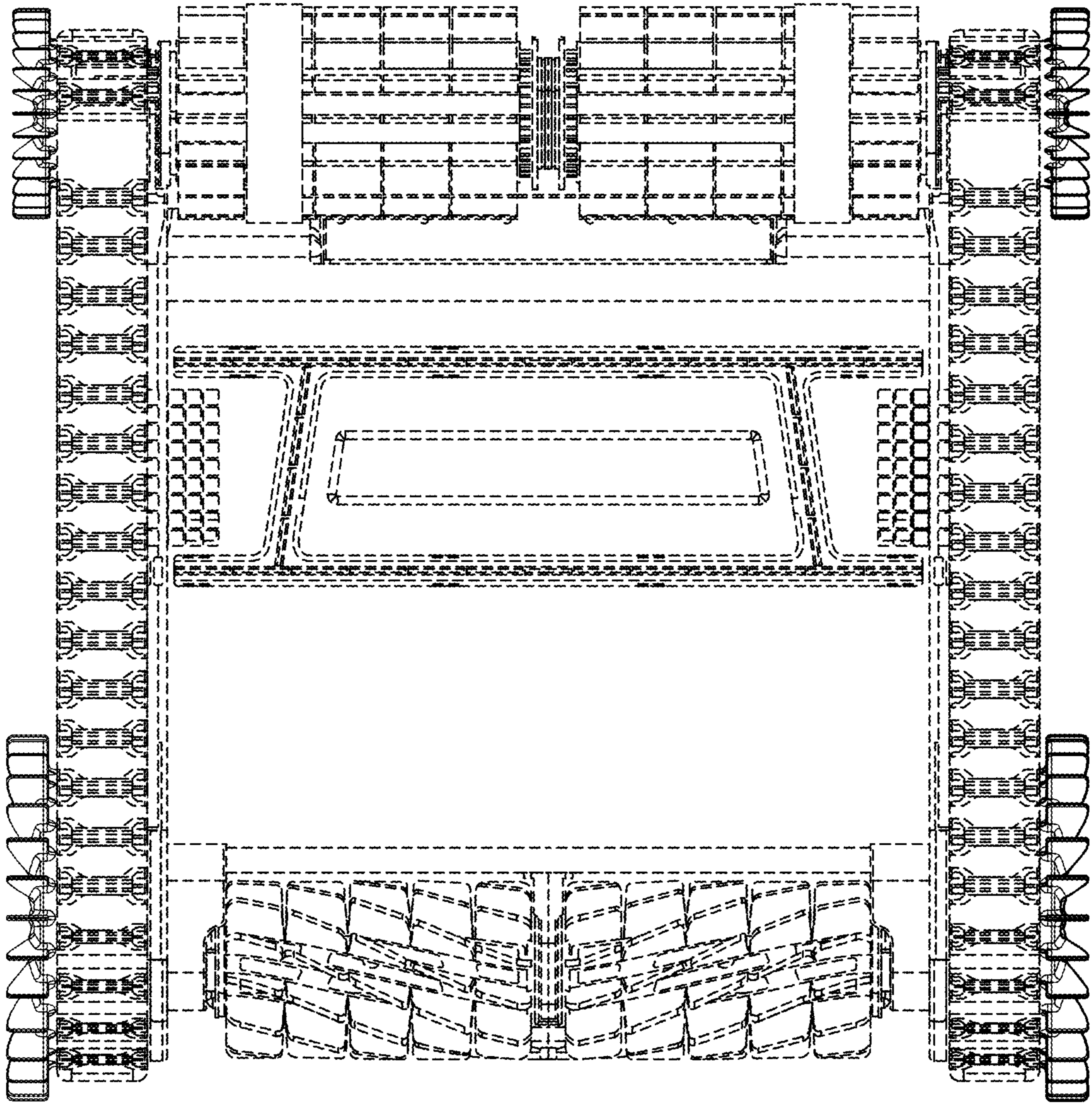


FIG. 6

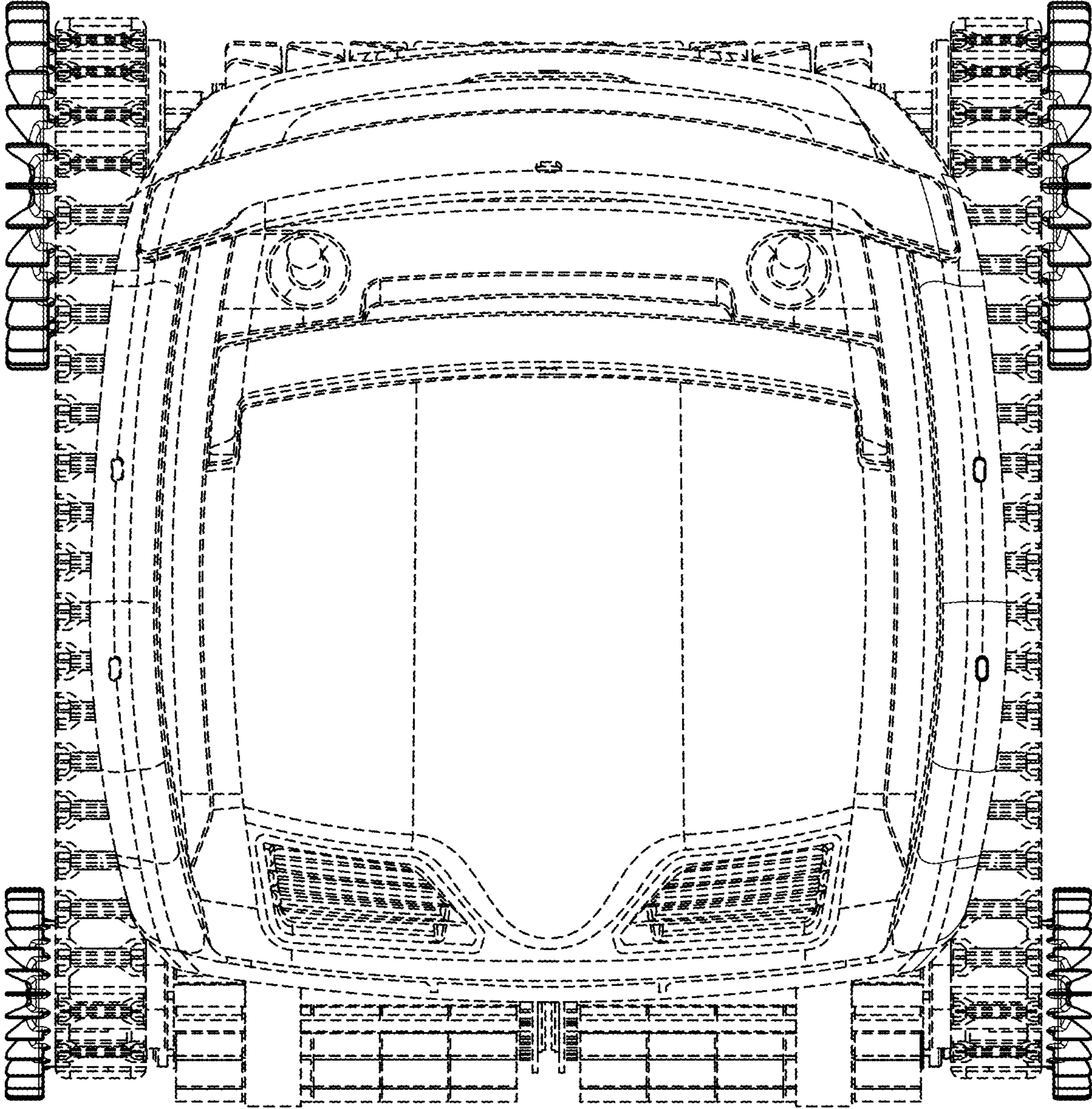


FIG. 7