



US00D939796S

(12) **United States Design Patent** (10) **Patent No.:** **US D939,796 S**
Yoon et al. (45) **Date of Patent:** **** Dec. 28, 2021**

(54) **CLEANER**
(71) Applicant: **SAMSUNG ELECTRONICS CO., LTD.**, Suwon-si (KR)
(72) Inventors: **Sanghoon Yoon**, Suwon-si (KR); **Jinsun Park**, Suwon-si (KR); **Kangkyung Lee**, Suwon-si (KR); **Hwandong Lee**, Suwon-si (KR)
(73) Assignee: **SAMSUNG ELECTRONICS CO., LTD.**, Gyeonggi-Do (KR)

(**) Term: **15 Years**
(21) Appl. No.: **29/726,236**
(22) Filed: **Mar. 2, 2020**

(30) **Foreign Application Priority Data**
Sep. 3, 2019 (KR) 30-2019-0042468

(51) **LOC (13) Cl.** **15-05**
(52) **U.S. Cl.**

USPC **D32/22**

(58) **Field of Classification Search**
USPC D32/15, 21, 22, 31, 33, 49, 50, 51, 52;
D21/526
CPC A46B 9/06; A47L 5/24; A47L 5/28; A47L 5/30; A47L 5/34; A47L 7/0004; A47L 9/04; A47L 9/325; A47L 9/1683; A47L 11/302; A47L 11/34; A47L 11/4005; A47L 11/4008; A47L 11/4016; A47L 11/4041; A47L 11/4044; A47L 11/4088; A47L 13/225; B04C 5/185; B08B 3/04; B23Q 11/0046; B23Q 11/0071; E04H 4/1636

See application file for complete search history.

(56) **References Cited**

U.S. PATENT DOCUMENTS

D43,654 S * 2/1913 Straschnow D32/22
D114,601 S * 5/1939 Rosen et al. D32/45
D155,903 S * 11/1949 Kelly D32/22

D157,774 S * 3/1950 Minerley D32/22
D188,411 S * 7/1960 Gantz D32/22
D189,124 S * 11/1960 Kelnhofer D32/22
D191,300 S * 9/1961 Anderson D32/22
D198,443 S * 6/1964 Mango et al. D32/22
D203,968 S * 3/1966 Lagerstrom et al. D32/22

(Continued)

FOREIGN PATENT DOCUMENTS

CN 304139339 S 5/2017
CN 306604287 * 6/2021

(Continued)

OTHER PUBLICATIONS

SWDK Cordless Slight Wet Electronic Mop, available in Amazon.com, available in Amazon.com, date first available Aug. 27, 2020 [online], [site visited Jul. 26, 2021], Available from the internet URL: https://www.amazon.com/dp/B08GSMSF25/ref=cm_sw_r_em_apa_glt_fabc_E5C90CXFJYT640MKKB0W?_encoding=UTF8&psc=1 (Year: 2020).*

Primary Examiner — Lilyana Bekic

Assistant Examiner — Jennylou M Binas

(74) *Attorney, Agent, or Firm* — Cantor Colburn LLP

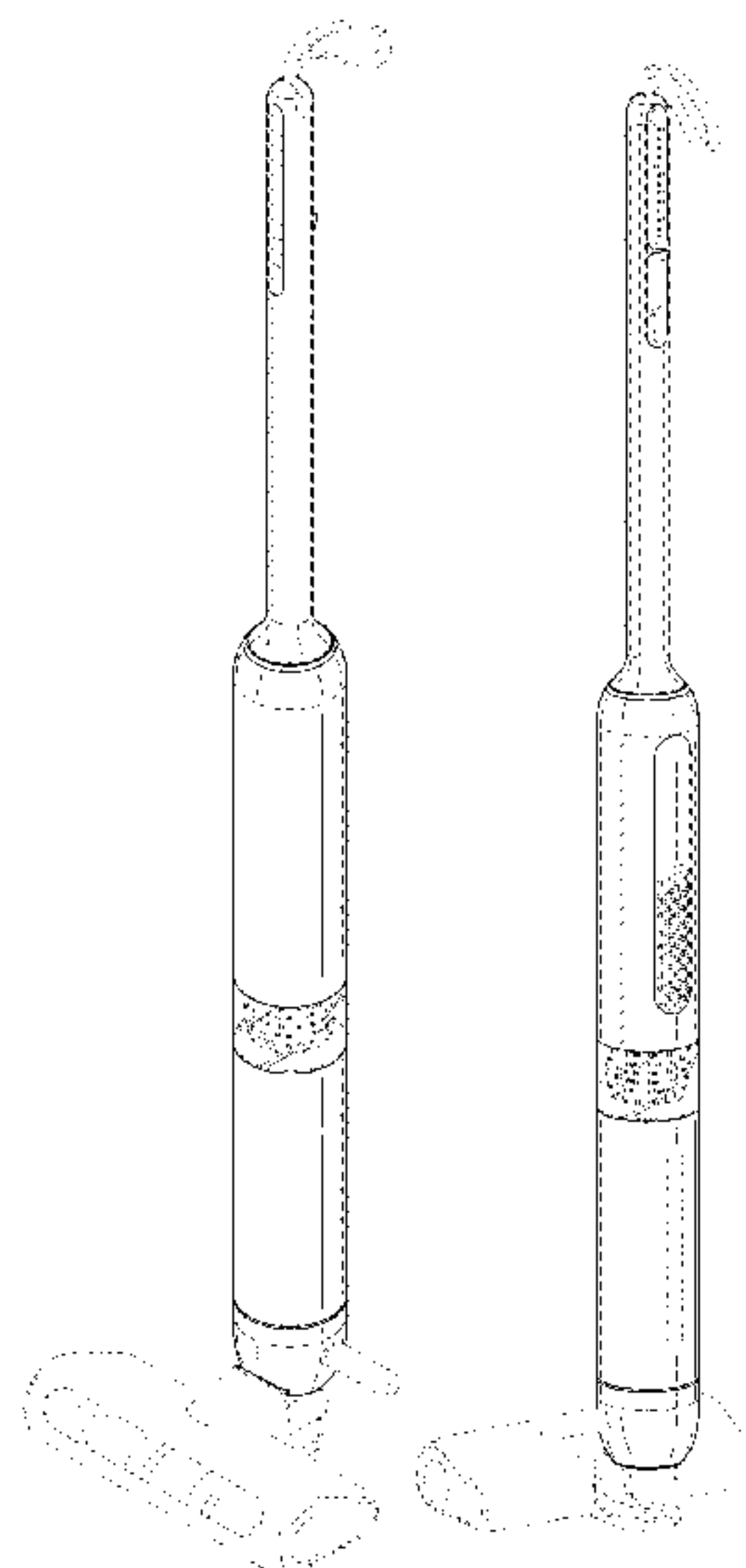
(57) **CLAIM**

The ornamental design for a cleaner, as shown and described.

DESCRIPTION

FIG. 1 is a front perspective view of a cleaner, showing our new design;
FIG. 2 is a front view thereof;
FIG. 3 is a rear view thereof;
FIG. 4 is a left-side view thereof;
FIG. 5 is a right-side view thereof;
FIG. 6 is a top view thereof;
FIG. 7 is a bottom view thereof; and,
FIG. 8 is a rear perspective view thereof.
The broken lines illustrating portions of the cleaner form no part of the claimed design.

1 Claim, 7 Drawing Sheets



(56)

References Cited

U.S. PATENT DOCUMENTS

D280,661	S	*	9/1985	Hill	D23/383
D296,486	S	*	6/1988	Staubitz	D32/22
D305,373	S	*	1/1990	Yamamoto	D32/22
D364,948	S	*	12/1995	Hunt	D32/45
D382,681	S	*	8/1997	Thomas	D32/22
D398,096	S	*	9/1998	Gildersleeve	D32/22
D398,099	S	*	9/1998	Leung	D32/22
D420,475	S	*	2/2000	Yuen	D32/22
D482,506	S	*	11/2003	Honda	D32/22
D482,829	S	*	11/2003	Vosbikian	D32/45
D539,977	S	*	4/2007	Wen	D21/725
D558,943	S	*	1/2008	Labarbera	D32/22
D667,065	S	*	9/2012	Cavanagh	D21/725
D714,407	S	*	9/2014	Santorelli	D21/725
D731,608	S	*	6/2015	Krouse	D21/756
D743,125	S	*	11/2015	Lee	D32/22
D872,396	S	*	1/2020	Miyawaki	D32/22

FOREIGN PATENT DOCUMENTS

CN	306648181	*	6/2021
CN	306663207	*	7/2021
CN	306713721	*	7/2021
CN	306722481	*	7/2021
DE	402015100559-0001		9/2015
EM	002264424-0007		7/2013
GB	2064891	*	10/1997
JP	D1488410	S	1/2014
JP	D1642674	*	10/2019
JP	D1642675	*	10/2019
KR	301007374.0000	S	5/2019
KR	301119913.0000	*	7/2021

* cited by examiner

FIG. 1

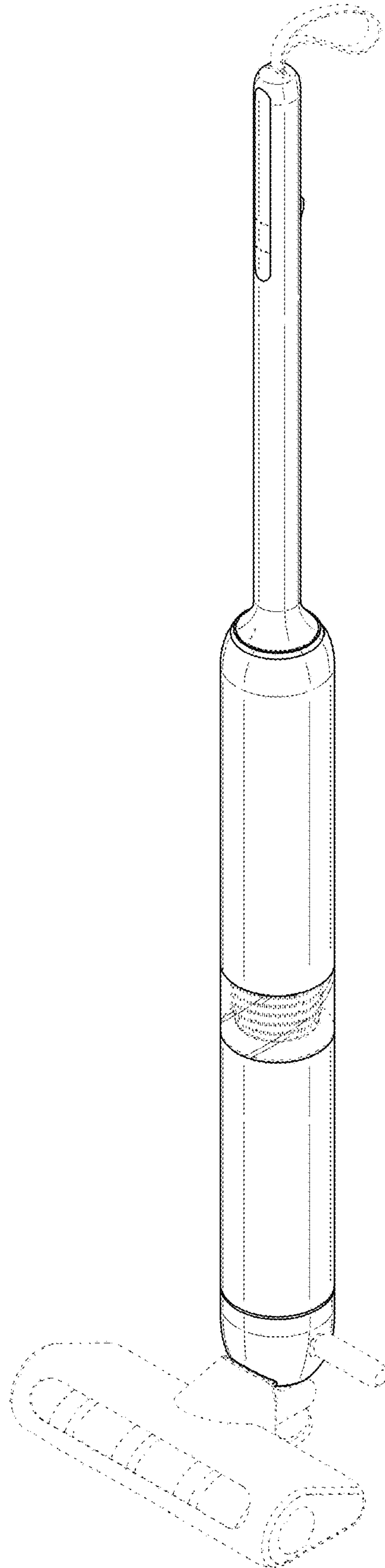


FIG. 2

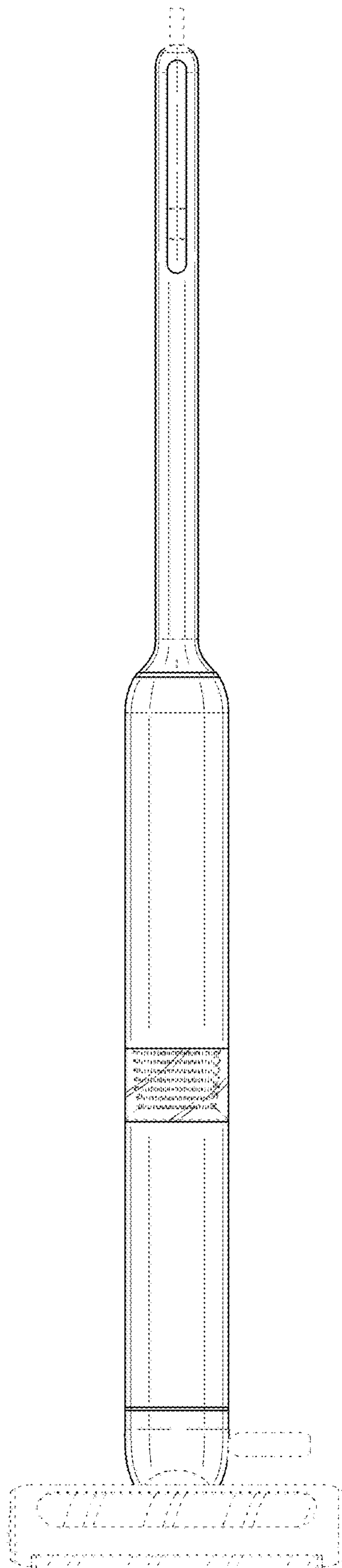


FIG. 3

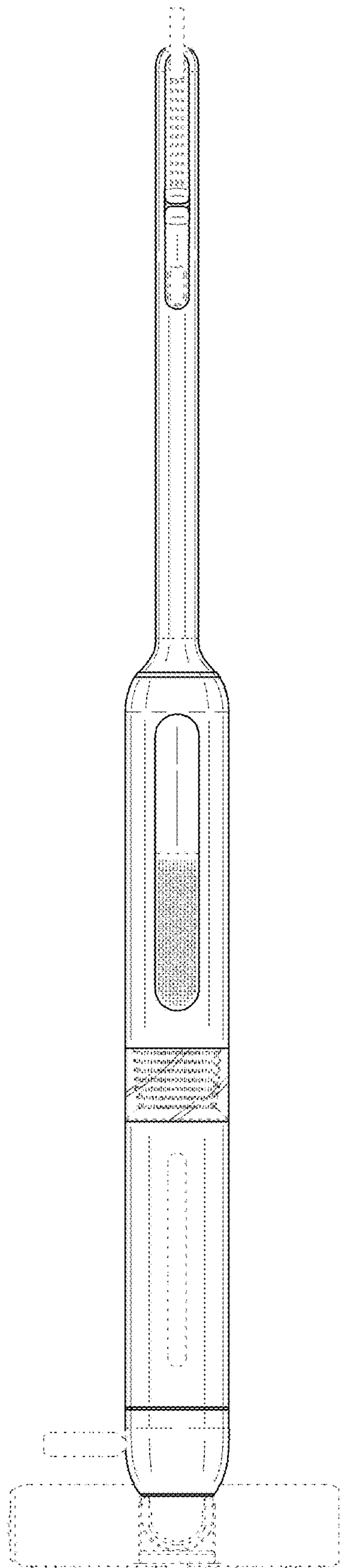


FIG. 4

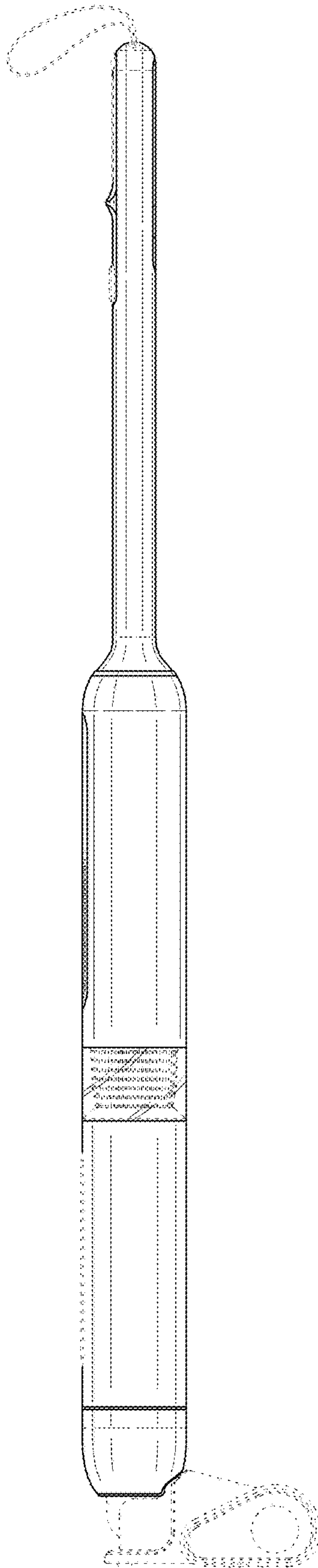


FIG. 5

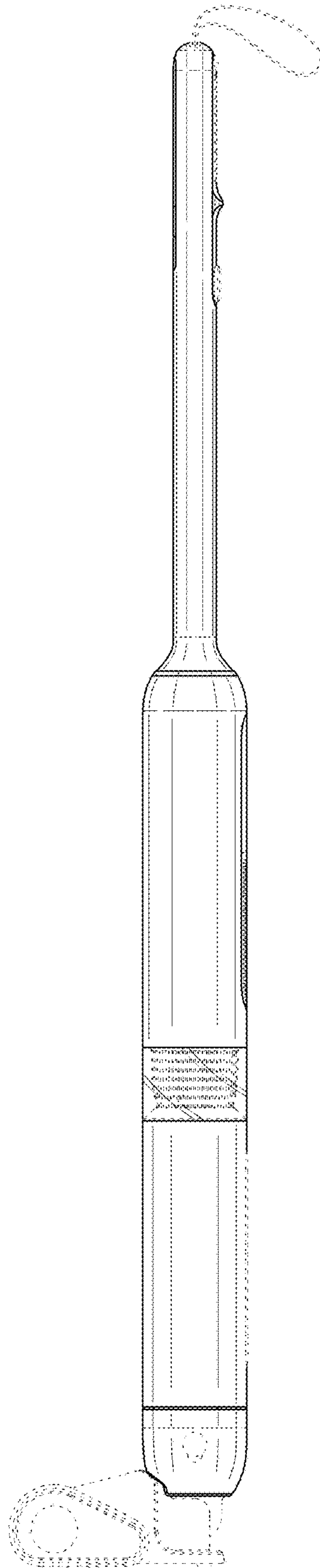


FIG. 6

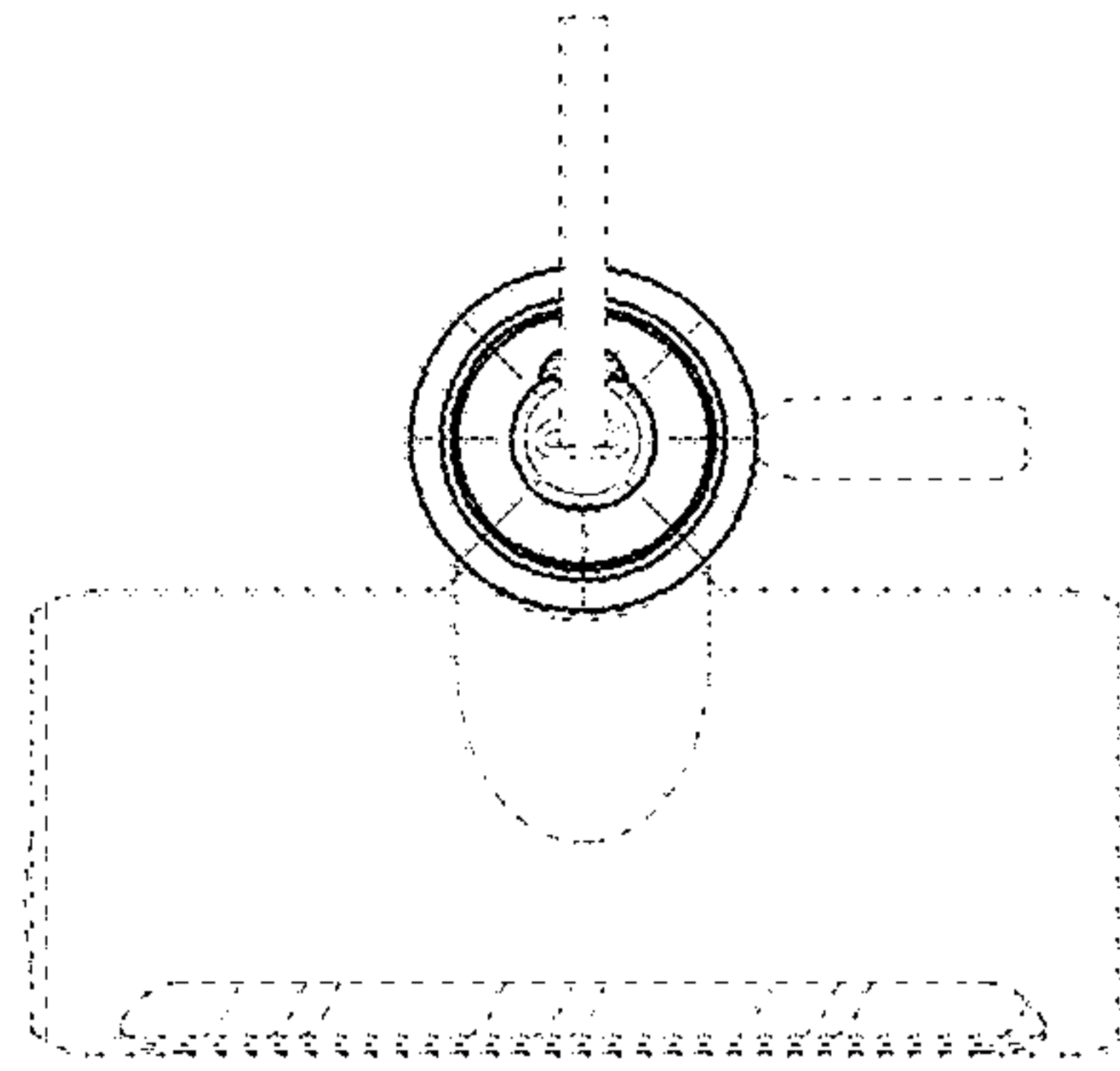


FIG. 7

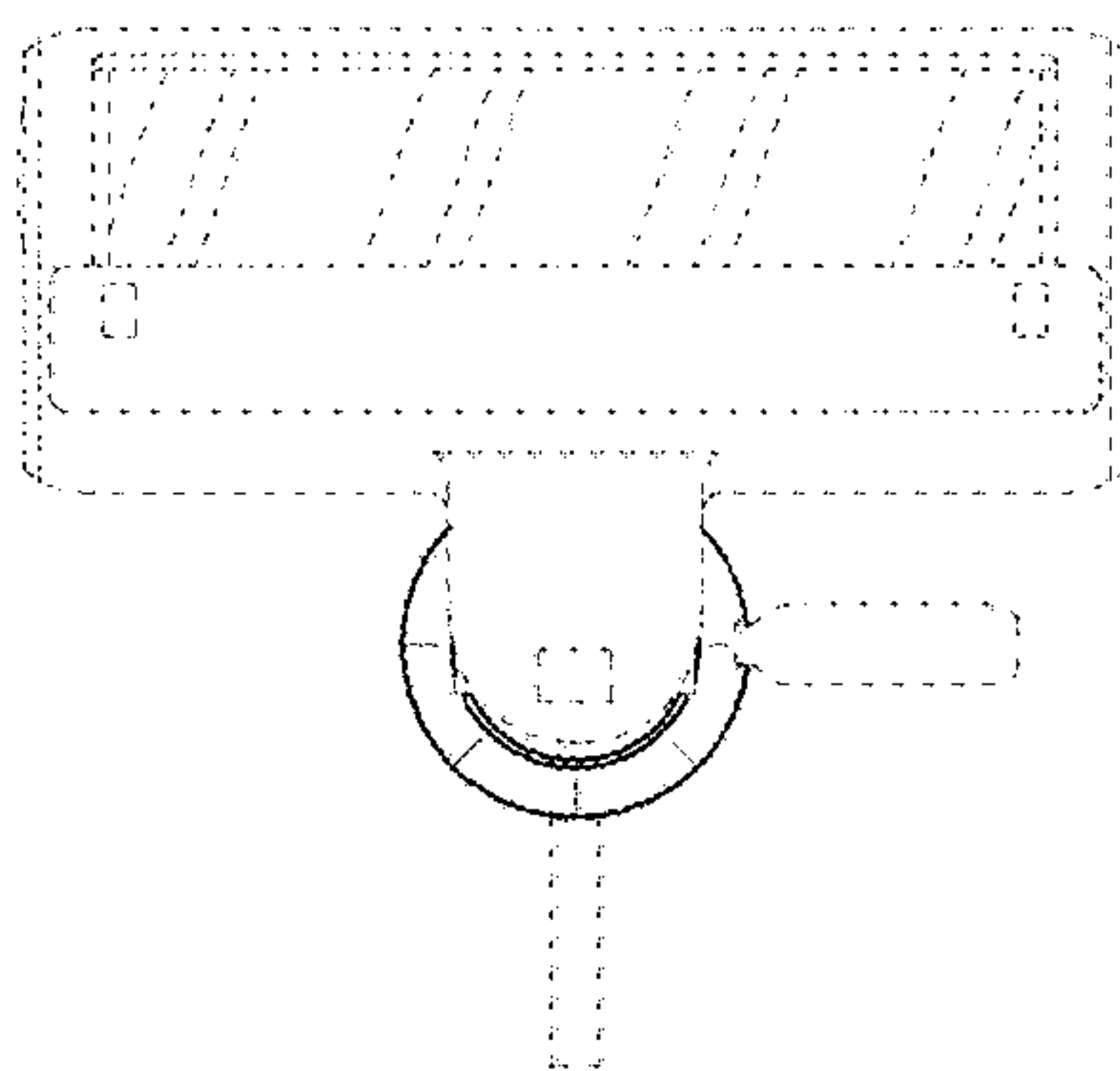


FIG. 8

