

US00D939793S

(12) **United States Design Patent**
Liu

(10) **Patent No.:** **US D939,793 S**

(45) **Date of Patent:** **** Dec. 28, 2021**

(54) **HAND-HELD VACUUM**

D922,010 S * 6/2021 Lin D32/18
D932,122 S * 9/2021 Xu D32/18
D933,320 S * 10/2021 Bloemendaal D32/22

(Continued)

(71) Applicants: **JIANGSU MIDEA CLEANING APPLIANCES CO., LTD.**, Suzhou (CN); **MIDEA GROUP CO., LTD.**, Foshan (CN)

FOREIGN PATENT DOCUMENTS

(72) Inventor: **Gang Liu**, Suzhou (CN)

JP D1655467 * 3/2020
JP D1668019 * 9/2020
KR 301085156.0000 * 12/2020

(**) Term: **15 Years**

OTHER PUBLICATIONS

(21) Appl. No.: **29/701,819**

Eureka Rapid Clean, available in Amazon.com, customer review oldest date Feb. 16, 2019 [online], [site visited Feb. 22, 2021], Available from the internet URL: https://www.amazon.com/dp/B07SMJJTL7/ref=cm_sw_r_em_apa_fabc_6E27GFNGZ3AAWYD6394?_encoding=UTF8&psc=1 (Year: 2019).*

(22) Filed: **Aug. 15, 2019**

(Continued)

(30) **Foreign Application Priority Data**

Mar. 12, 2019 (CN) 201930099068.3

(51) **LOC (13) Cl.** **15-05**

(52) **U.S. Cl.**
USPC **D32/18; D32/22**

(58) **Field of Classification Search**
USPC D32/17, 18, 22, 31; D21/526
CPC A47L 5/24; A47L 5/28; A47L 5/30; A47L 5/34; A47L 5/36; A47L 9/04; A47L 9/102; A47L 9/106; A47L 11/30; A47L 11/302; A47L 11/4005; A47L 11/4008; A47L 11/4044; B04C 5/185; B23Q 11/0046; B23Q 11/0071; E04H 4/1636

See application file for complete search history.

Primary Examiner — Dana K Weiland
Assistant Examiner — Jennylou M Binas
(74) *Attorney, Agent, or Firm* — Kilpatrick Townsend & Stockton, LLP

(57) **CLAIM**

The ornamental design for a hand-held vacuum, as shown and described.

DESCRIPTION

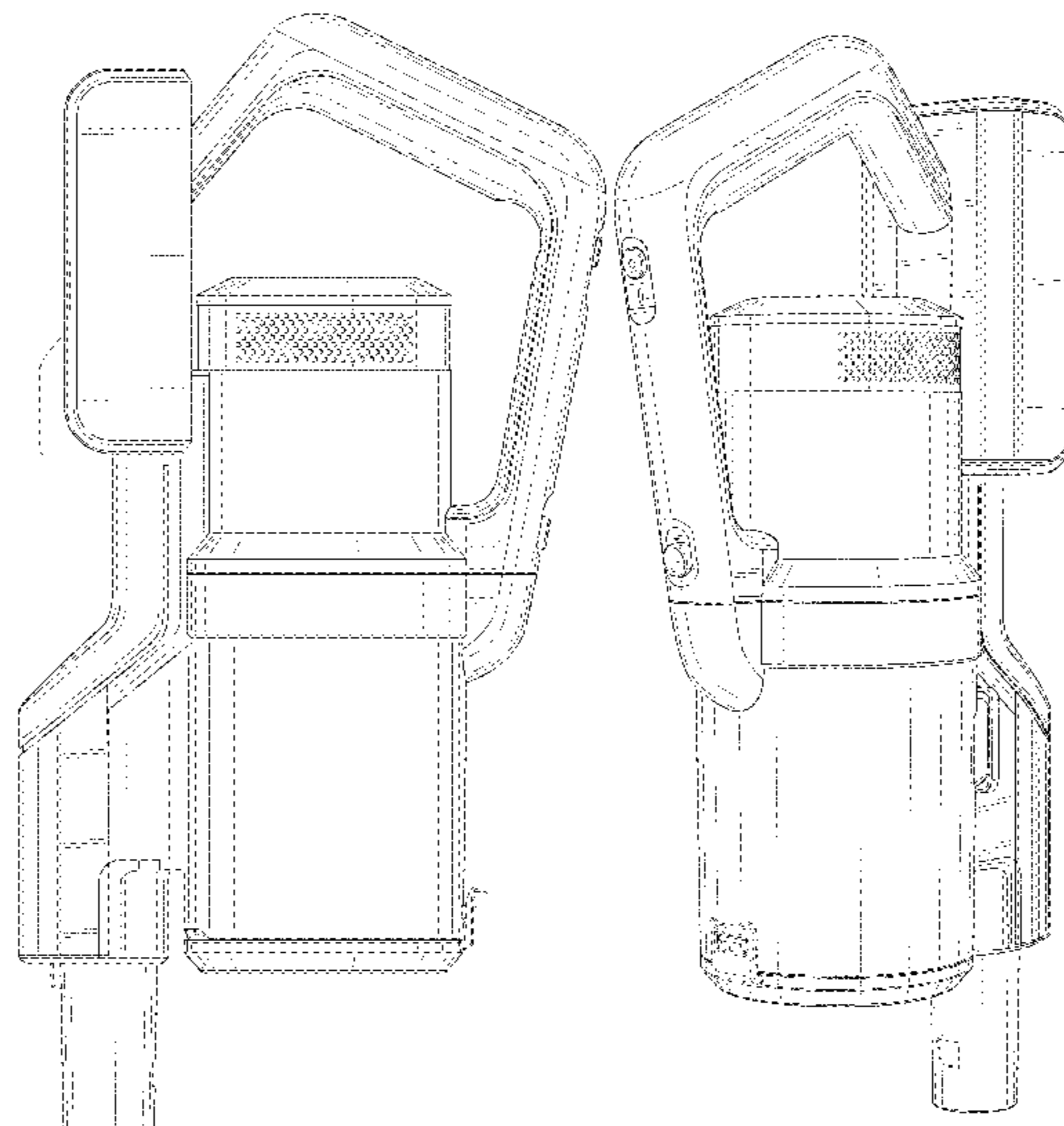
(56) **References Cited**

U.S. PATENT DOCUMENTS

D804,114 S * 11/2017 Kim D32/18
D821,667 S * 6/2018 Nam D32/18
D868,400 S * 11/2019 Niedzwecki D32/18
D874,758 S * 2/2020 Schroeter D32/18
D879,395 S * 3/2020 Pearce D32/18
D880,086 S * 3/2020 Tan D32/18
D901,109 S * 11/2020 Chen D32/18
D912,344 S * 3/2021 Choi D32/22
D912,345 S * 3/2021 Uim D32/22
D920,609 S * 5/2021 Ma D32/21

FIG. 1 is a front elevation view of a hand-held vacuum, showing my new design;
FIG. 2 is a back elevation view thereof;
FIG. 3 is a left elevation view thereof;
FIG. 4 is a right elevation view thereof;
FIG. 5 is a top plan view thereof;
FIG. 6 is a bottom plan view thereof; and,
FIG. 7 is a front perspective view of a hand-held vacuum. The broken lines in the figures show portions of the hand-held vacuum that form no part of the claimed design.

1 Claim, 7 Drawing Sheets



(56)

References Cited

U.S. PATENT DOCUMENTS

2020/0037834 A1* 2/2020 Li A47L 9/322
2020/0315416 A1* 10/2020 Hong A47L 9/0477
2021/0045605 A1* 2/2021 Conrad A47L 9/1608

OTHER PUBLICATIONS

Iris Ohyama IC-SLDCP10-R Cordless, available in Amazon.co.jp, date first available Feb. 26, 2020 [online], [site visited Feb. 22, 2021], Available from the internet URL: https://www.amazon.co.jp/dp/B0856B39L9/ref=cm_sw_em_r_mt_imm_awdb_NRDC6NE4VDN965J2F08R (Year: 2020).*

8 Best Stick Vacuums of 2021, available in goodhousekeeping.com, announced Nov. 18, 2020 [online], [site visited Feb. 25, 2022], Available from the internet URL: <https://www.goodhousekeeping.com/appliances/vacuum-cleaner-reviews/g1222/best-stick-vacuums/> (Year: 2020).*

P7 Flex Handheld Cordless Vacuum Cleaner, available in ifworld-designguide.com, launched Year 2020 [online], [site visited Oct. 22, 2021], Internet URL: <https://ifworlddesignguide.com/entry/317765-p7-flex-handheld-cordless-vacuum-cleaner> (Year: 2020).*

Midea Cordless Vacuum Cleaner MCS1825GB Pro, available in Amazon.com, date first available Mar. 9, 2021 [online], [site visited Oct. 22, 2021], Available from the internet URL: https://www.amazon.co.uk/Midea-MCS1825GB-Pro-Lightweight-Headlights/dp/B08YFSYRSZ/ref=psdc_770072031_t2_B08YFQ1R6X (Year: 2021).*

* cited by examiner

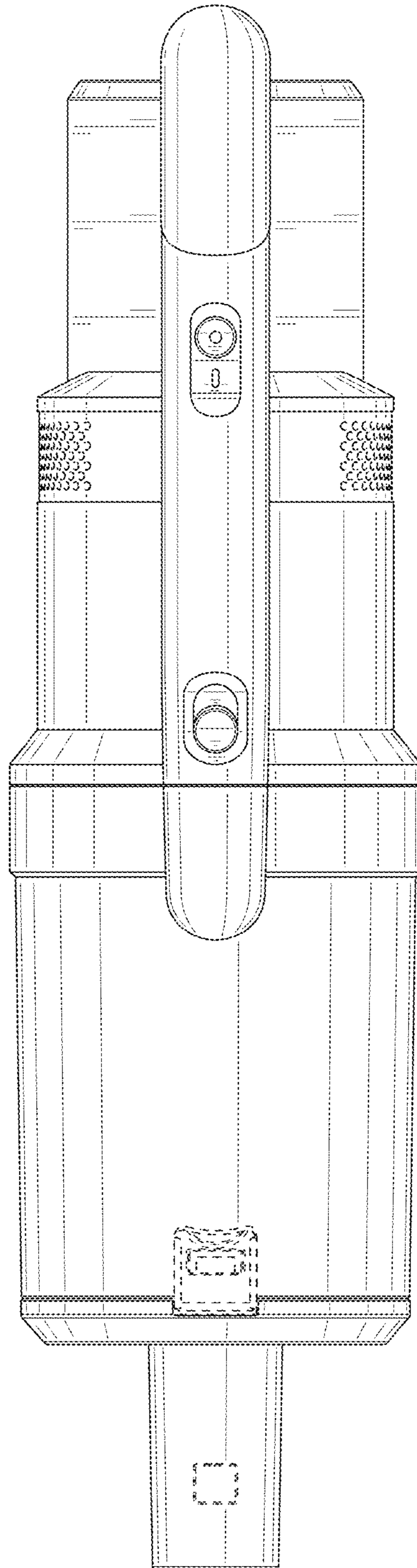


FIG. 1

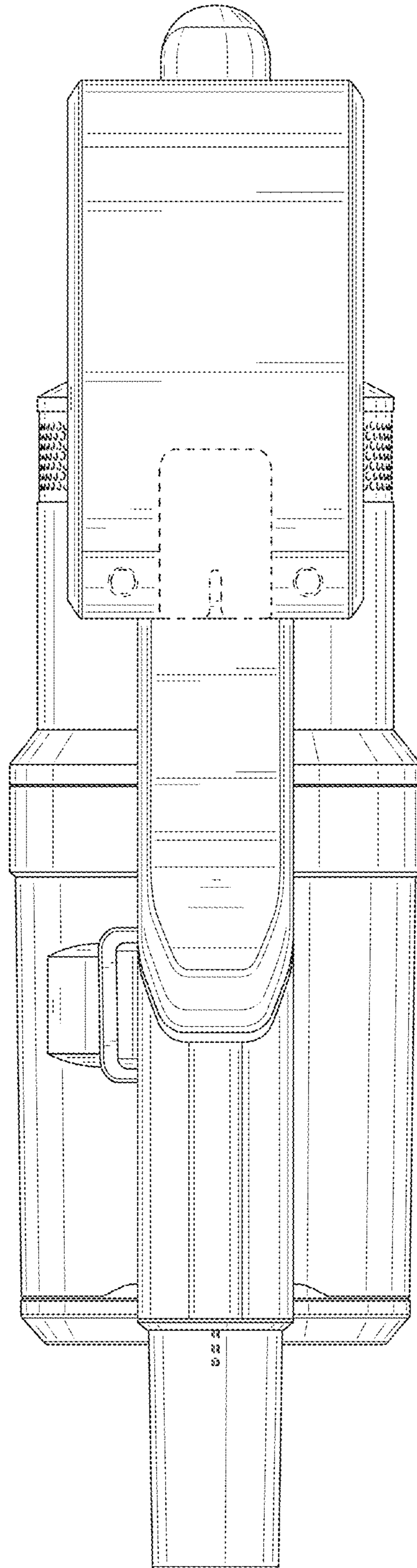


FIG. 2

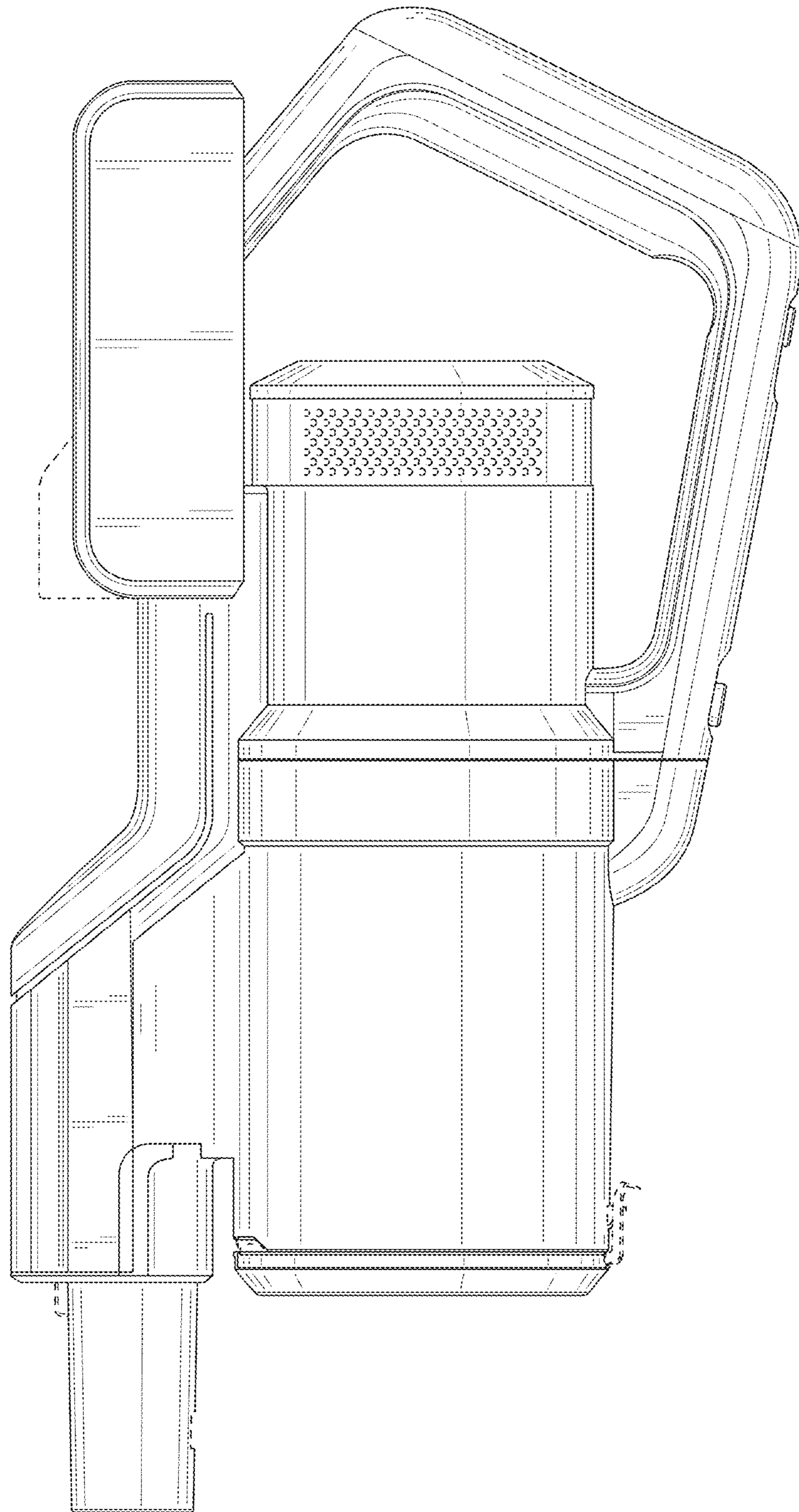


FIG. 3

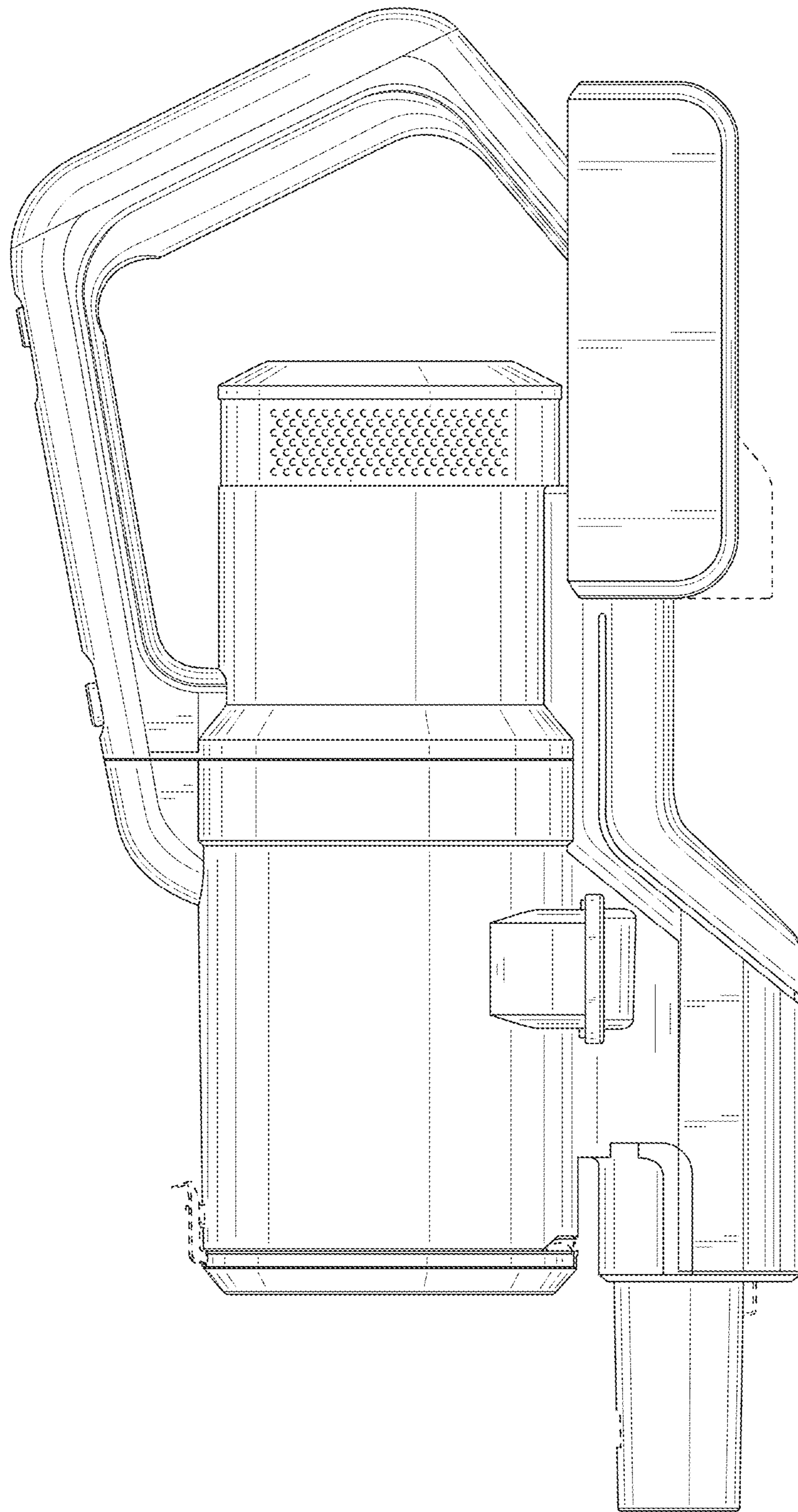


FIG. 4

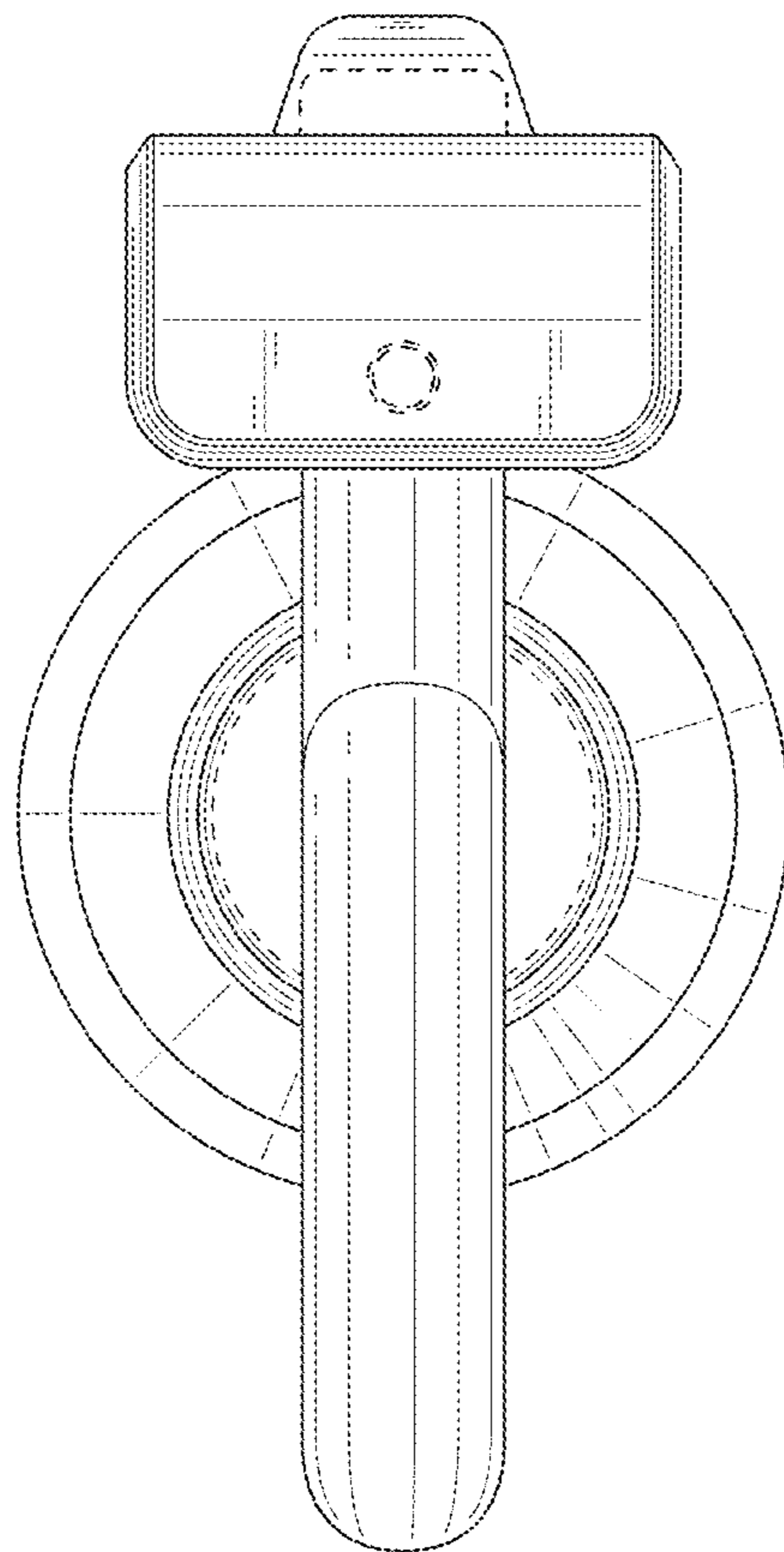


FIG. 5

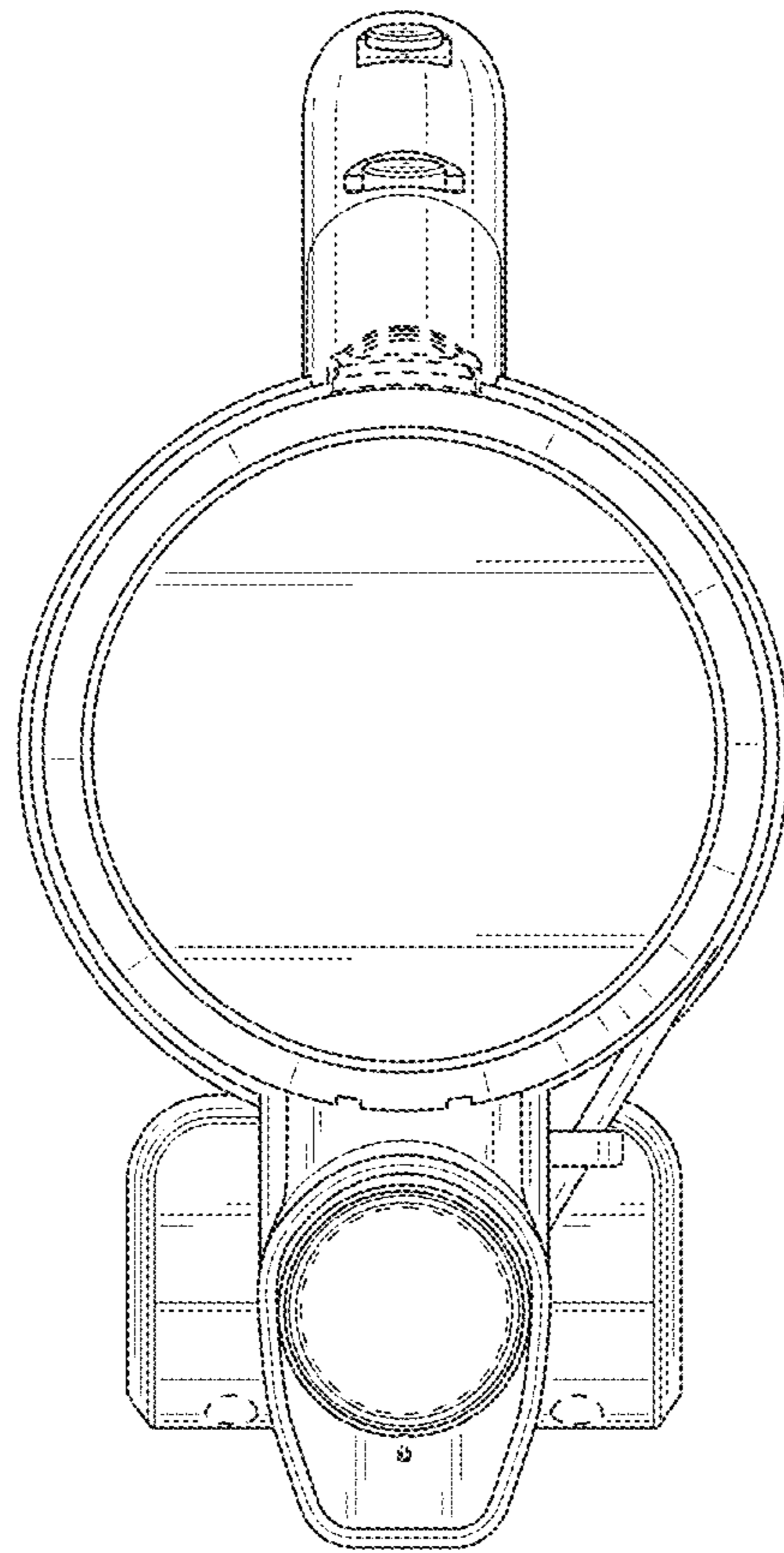


FIG. 6

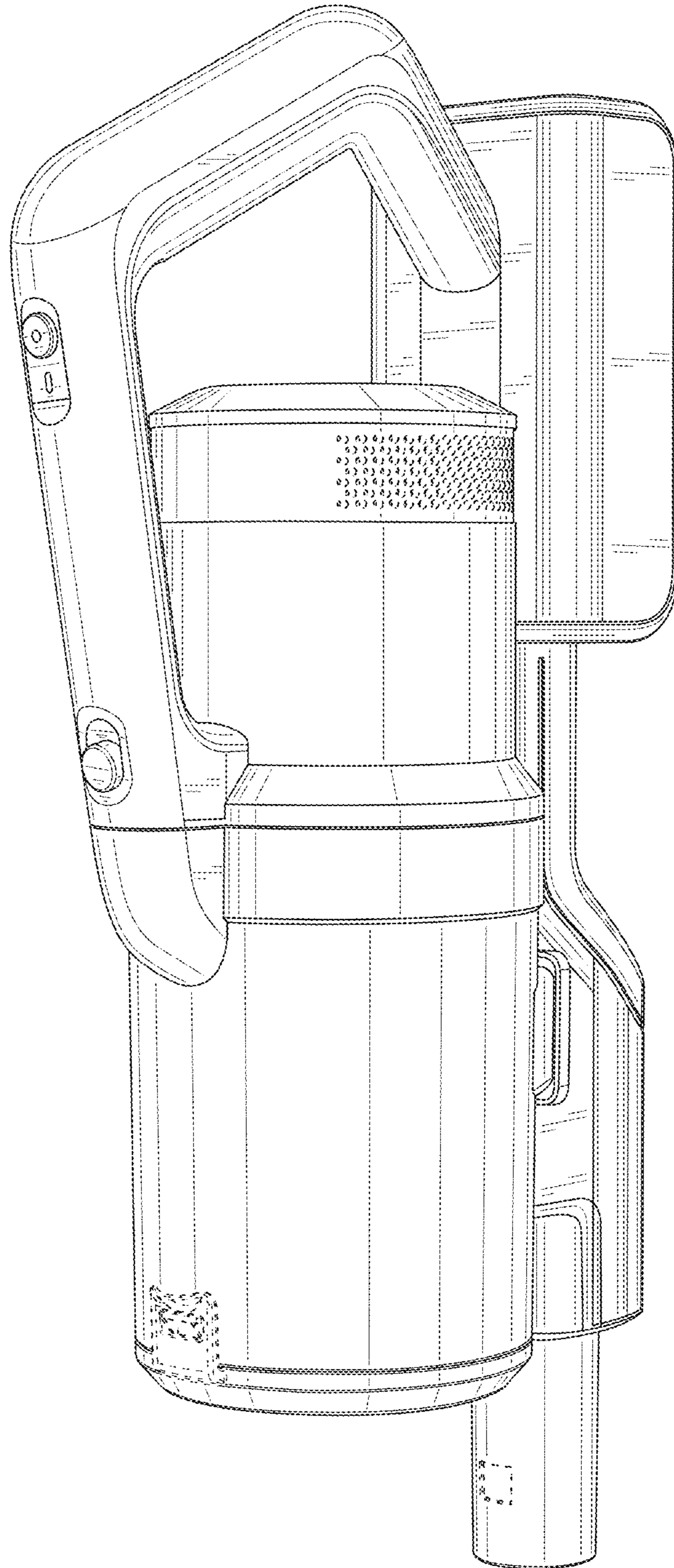


FIG. 7