



US00D939791S

(12) **United States Design Patent** (10) **Patent No.:** **US D939,791 S**  
**Myerson** (45) **Date of Patent:** **\*\* Dec. 28, 2021**

(54) **SCOOP, HOLDER AND BASE COMBINATION**

(71) Applicant: **Maurice Myerson**, Atlanta, GA (US)

(72) Inventor: **Maurice Myerson**, Atlanta, GA (US)

(\*\*) Term: **15 Years**

(21) Appl. No.: **29/642,000**

(22) Filed: **Mar. 27, 2018**

(51) **LOC (13) Cl.** ..... **30-99**

(52) **U.S. Cl.**  
USPC ..... **D30/162; D30/199**

(58) **Field of Classification Search**  
USPC ..... D30/162, 161, 155, 199, 144-146, D30/151-153; 119/856, 858, 859, 860, 119/863, 865, 654, 712-714, 716, 119/720-726, 762, 763, 792, 816, 818, 119/850, 853, 174, 855, 862, 760, 789, 119/796, 815, 821; D11/1-39, 131, D11/131.1, 133, 140, 155, 157, 93, 79, D11/80, 81-83, 86, 40-44, 94, 200, 201, D11/106, 114-116, 99, 220; 40/304, 300, 40/665, 640, 633, 726, 776, 617; 63/3, 63/3.1, 3.2, 5, 15.1-15.4, 15.45, 15.5, 63/15.6, 15.65, 15.7, 26-28, 1.11, 63/1.13-1.17, 5.1, 6, 7, 12, 15, 21, 33, 63/40, 41, 23, 14.1, 18-20, 11; D10/30-32, 111; D24/211; D28/41; D23/366, 367; D8/383, 349, 394, 395, D8/396, 356, 354, 387; D6/332, 468; D21/683; D5/45, 46, 7, 13; D29/120.1, D29/100, 101.5; D2/609, 627, 614, 628, D2/624, 632, 894; D26/11, 26, 113-118; D20/10, 22, 27, 40, 42, 11; D9/434; 428/690; 359/516; 2/232, 22, 468, 338; 424/411; 600/38; 24/180, 625, 188, 662, 24/647, 428, 16 R; 439/352; 206/347, 206/349; 362/103, 104, 216, 335, 108;

283/72, 74, 75, 103, 105, 106, 449; 229/72, 92, 92.1, 300-303; 224/222, 184, 224/249, 676; 381/384; 29/428  
CPC ..... A01K 1/01; A01K 1/011; A01K 1/0114; A01K 23/005; A01K 35/00; A01K 13/00; G09F 3/005; G09F 3/02; A44C 5/00; A44C 5/0007; A44C 5/0015; A44C 5/0023; A44C

(Continued)

(56) **References Cited**

U.S. PATENT DOCUMENTS

1,546,816 A \* 7/1925 Wald ..... B31D 1/023  
40/663  
3,138,839 A \* 6/1964 Mathes ..... A43C 7/04  
24/712.5

(Continued)

*Primary Examiner* — Susan Moon Lee  
(74) *Attorney, Agent, or Firm* — Walter A. Rodgers

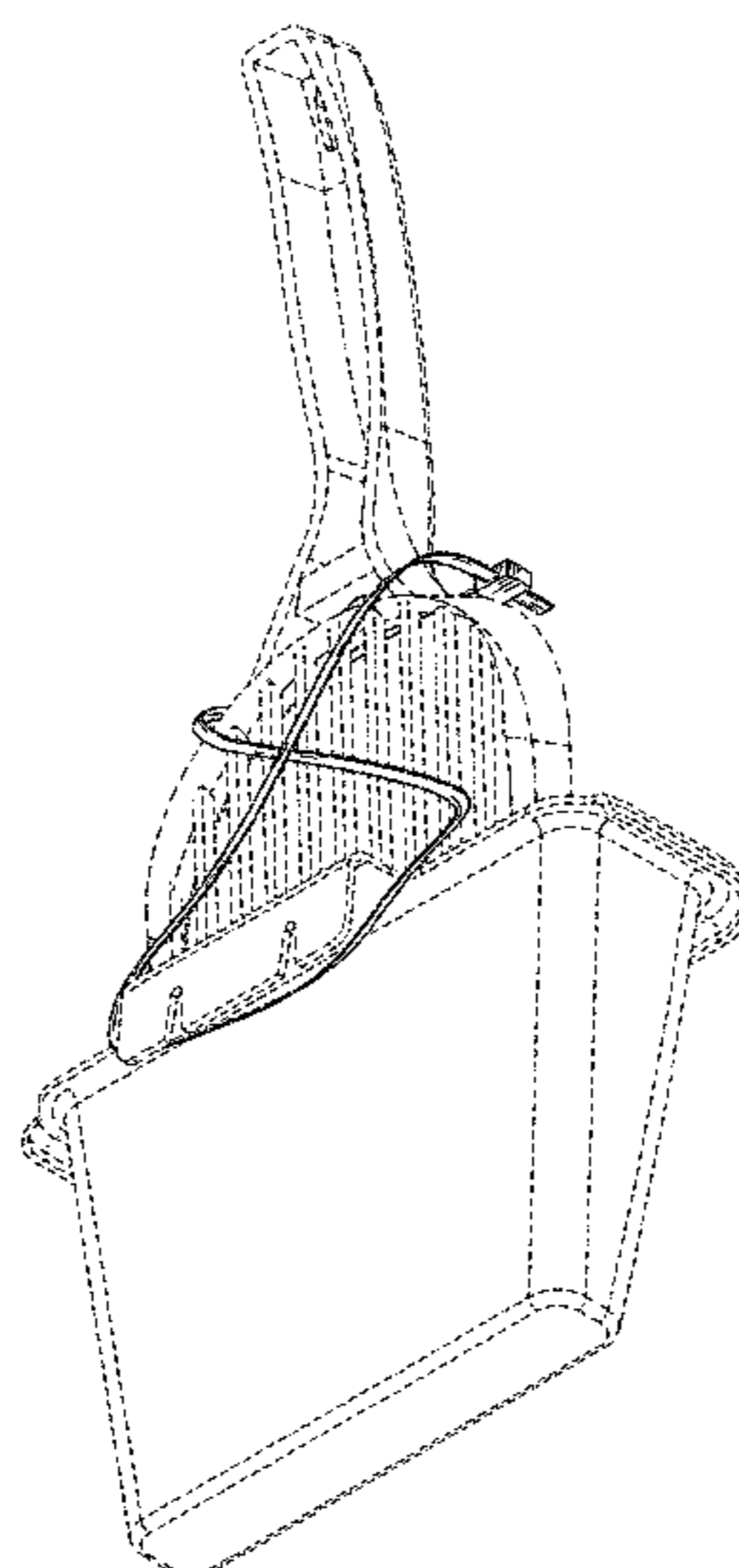
(57) **CLAIM**

The ornamental design for a scoop, holder and base combination, as shown and described.

**DESCRIPTION**

FIG. 1 is a perspective view of a scoop, holder and base combination showing my new design; FIG. 2 is a rear elevation view thereof; FIG. 3 is a top plan view thereof; FIG. 4 is a bottom plan view thereof; FIG. 5 is a perspective view of a second embodiment of FIG. 1, the only difference being the configuration of the holder, scoop and base tie strap, it being understood that all other surfaces are the same as those of the first embodiment; FIG. 6 is a right-side elevation view of FIG. 1; FIG. 7 is a left-side elevation view of FIG. 1; and, FIG. 8 is a rear perspective view of FIG. 5. The broken lines are included to show portions of the scoop, holder and base and form no part of the claimed design.

**1 Claim, 6 Drawing Sheets**



(58) **Field of Classification Search**

CPC ..... 5/003; A44C 5/0053; A44C 5/0084; A44C  
 5/14; A44C 5/18; A44C 5/2076; B65D  
 63/1081; B65D 63/00; B65D 63/10;  
 B65D 63/1018; B65D 63/1027; B65D  
 63/109; B65D 63/1072; B65D 63/12;  
 B65D 63/14; B65D 63/16; E01H 1/1206;  
 E01H 1/12; E01H 1/1213; E01H  
 2001/122; E01H 2001/1226; E01H  
 2001/1233; E01H 2001/1246; E01H  
 2001/1293

See application file for complete search history.

(56)

**References Cited**

U.S. PATENT DOCUMENTS

3,332,119 A \* 7/1967 Sherwood ..... B60P 3/1025  
 24/131 R  
 3,892,011 A \* 7/1975 Kohke ..... B65D 63/1036  
 24/16 PB  
 D383,379 S \* 9/1997 Keegan ..... D8/394  
 5,839,169 A \* 11/1998 Edwards ..... F16L 3/233  
 24/16 PB  
 D444,054 S \* 6/2001 Bernard ..... D8/394  
 6,578,807 B1 \* 6/2003 Lipscomb ..... A01K 1/0114  
 248/314

6,824,114 B1 \* 11/2004 VanSkiver ..... A01K 1/0114  
 248/220.21  
 6,976,661 B2 \* 12/2005 Lipscomb ..... A01K 1/0114  
 119/166  
 8,637,772 B2 \* 1/2014 Anderton ..... B65D 63/1072  
 174/135  
 D722,835 S \* 2/2015 Dupont ..... D7/637  
 9,340,340 B2 \* 5/2016 Beckman ..... B65D 63/1018  
 D785,875 S \* 5/2017 Martinsek ..... D30/155  
 D854,325 S \* 7/2019 Myerson ..... D3/304  
 D855,264 S \* 7/2019 Myerson ..... D30/199  
 D885,156 S \* 5/2020 Myerson ..... D8/71  
 2004/0016860 A1 \* 1/2004 Lipscomb ..... A01K 1/0114  
 248/314  
 2007/0033772 A1 \* 2/2007 Brownlee ..... B65D 63/1072  
 24/16 PB  
 2008/0250609 A1 \* 10/2008 Franks ..... H02G 3/30  
 24/16 R  
 2009/0100982 A1 \* 4/2009 Shereda ..... G10D 1/085  
 84/329  
 2012/0030910 A1 \* 2/2012 Anderton ..... B65D 63/1072  
 24/16 R  
 2012/0311823 A1 \* 12/2012 Lee ..... H02G 3/26  
 24/16 R  
 2016/0114949 A1 \* 4/2016 Housser ..... B65D 63/1063  
 24/16 PB  
 2016/0332791 A1 \* 11/2016 Beckman ..... B65D 63/109  
 2021/0155387 A1 \* 5/2021 Cogliandro ..... B65D 63/1081

\* cited by examiner

Fig 1

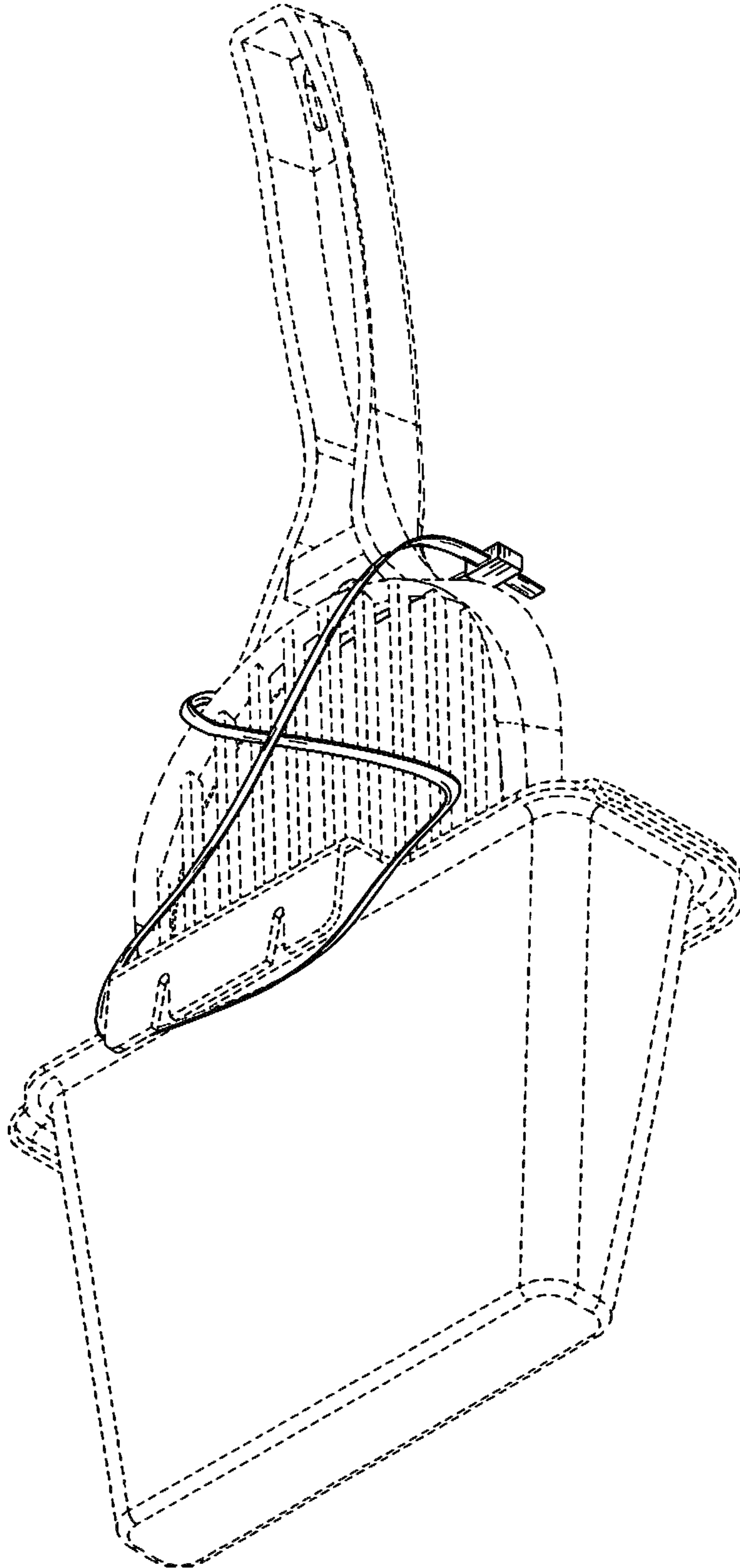


Fig 2

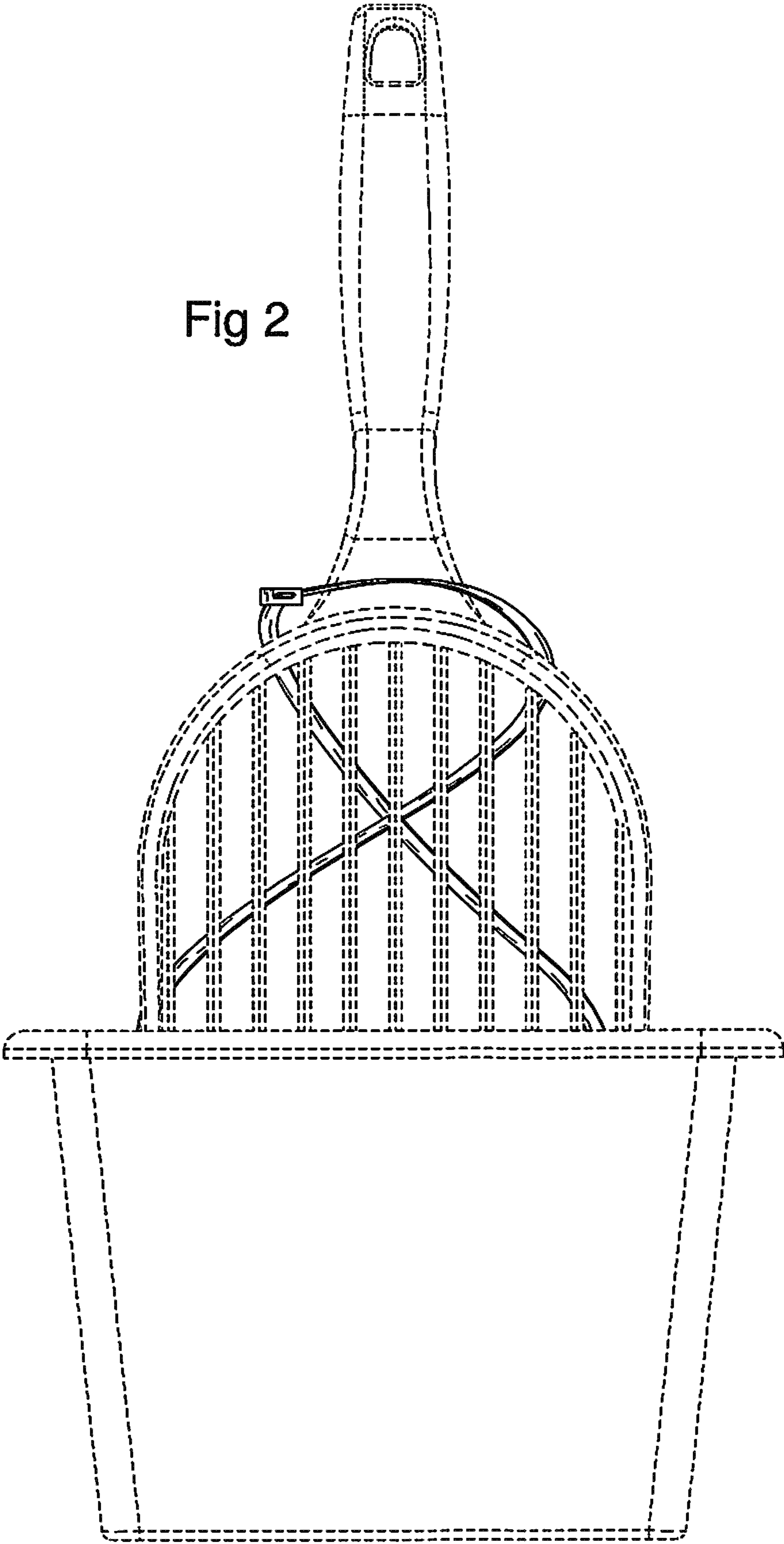


Fig 3

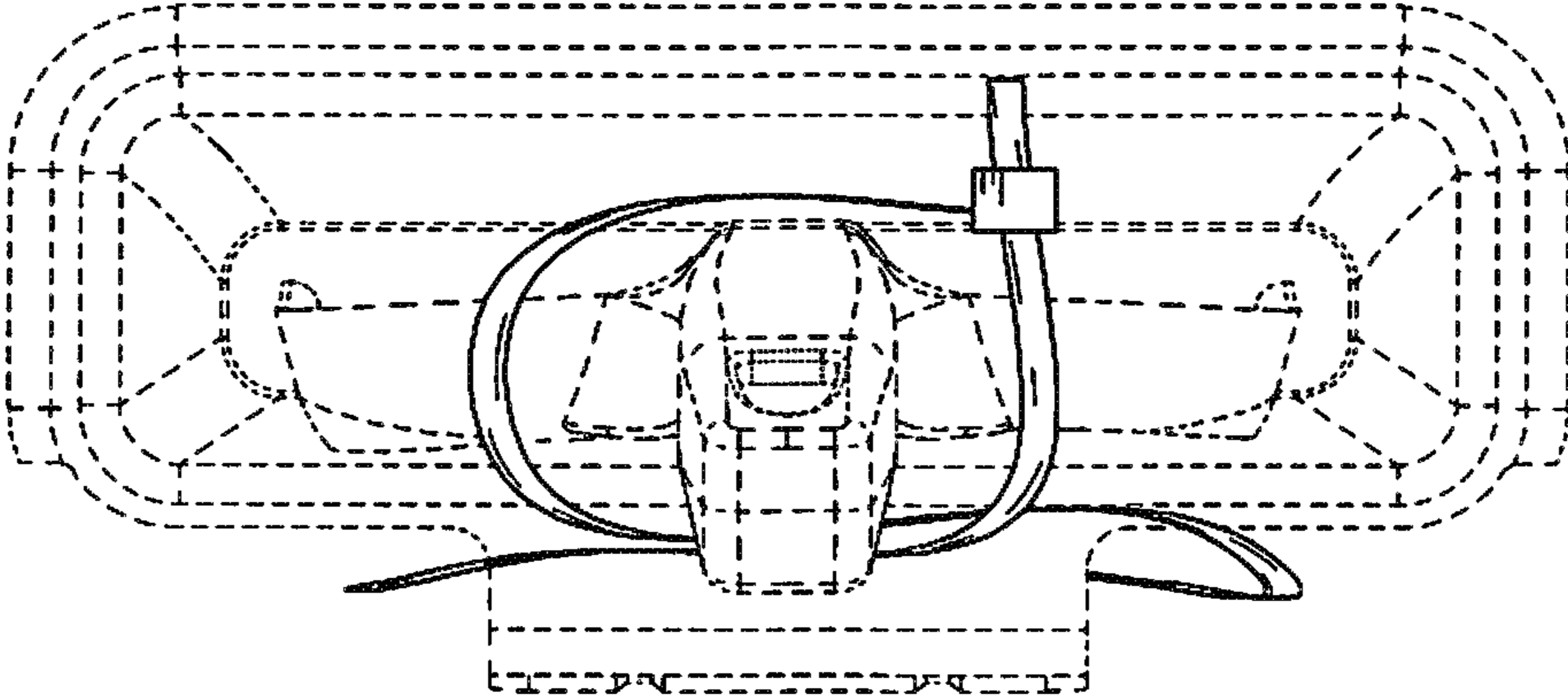


Fig 4

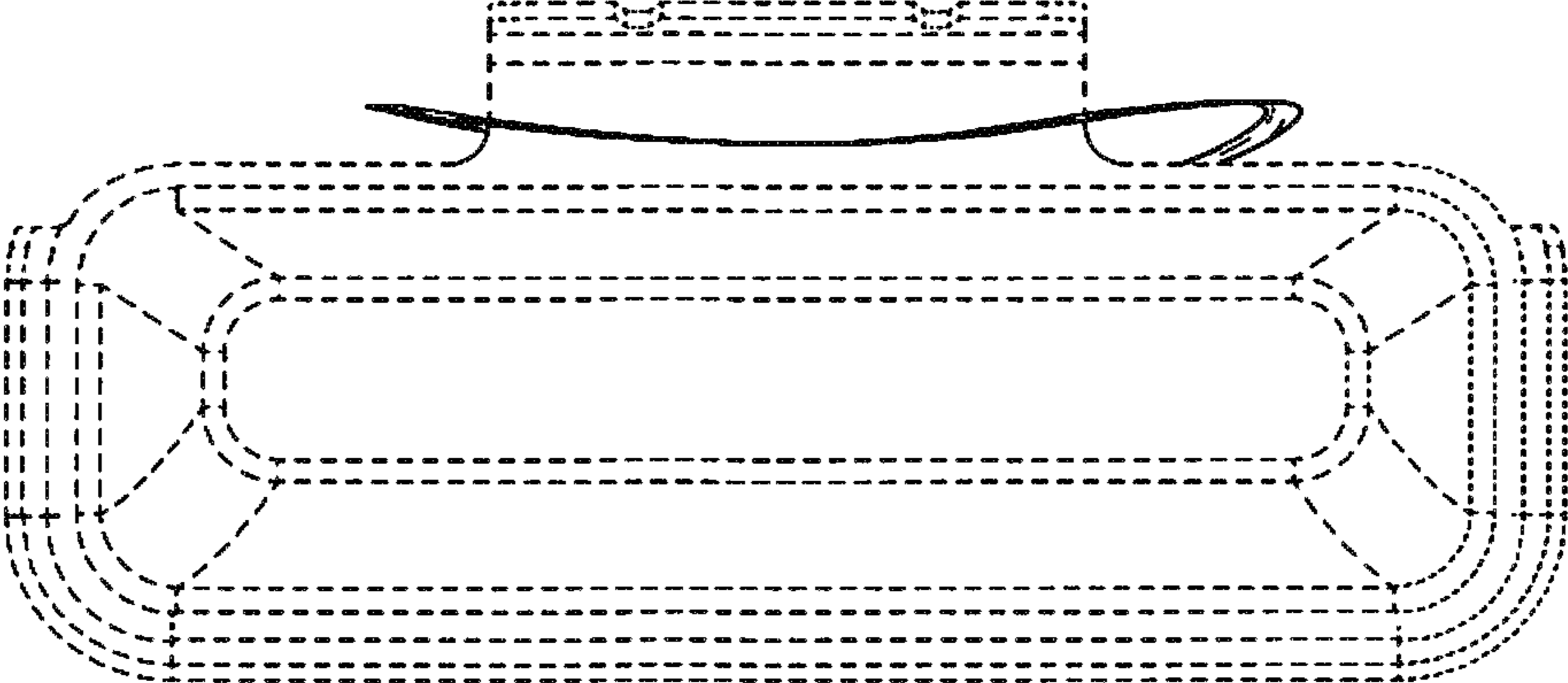


Fig 5

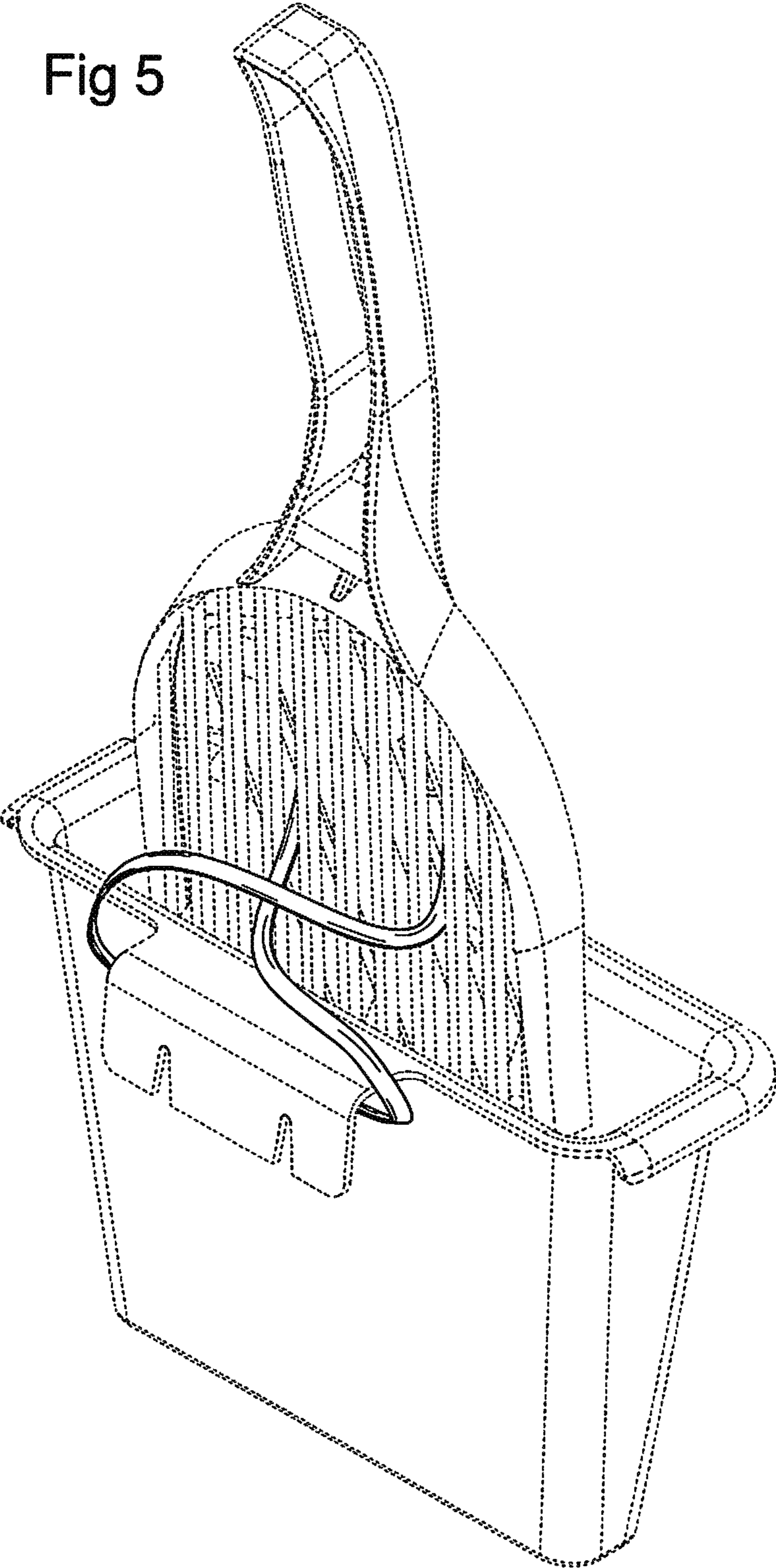


Fig 6

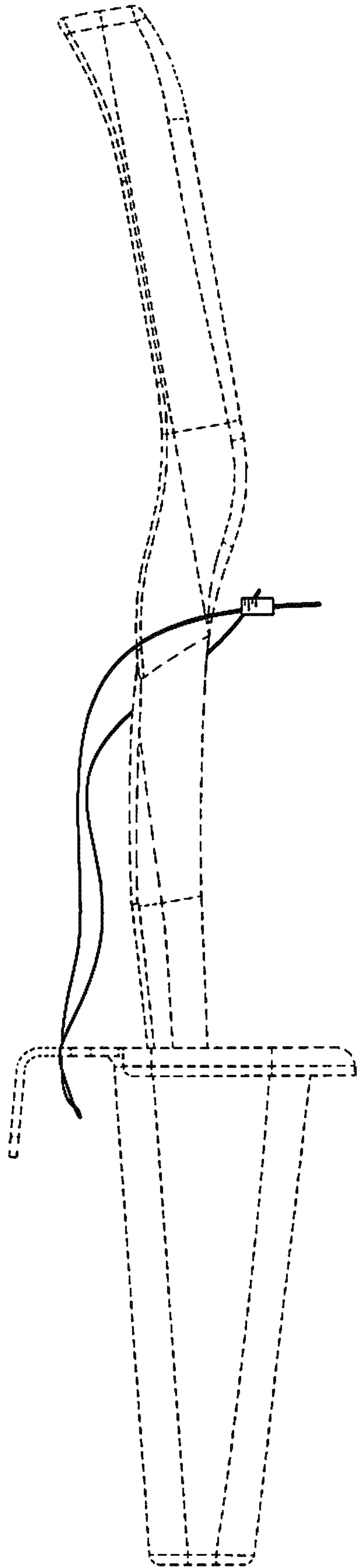


Fig 7

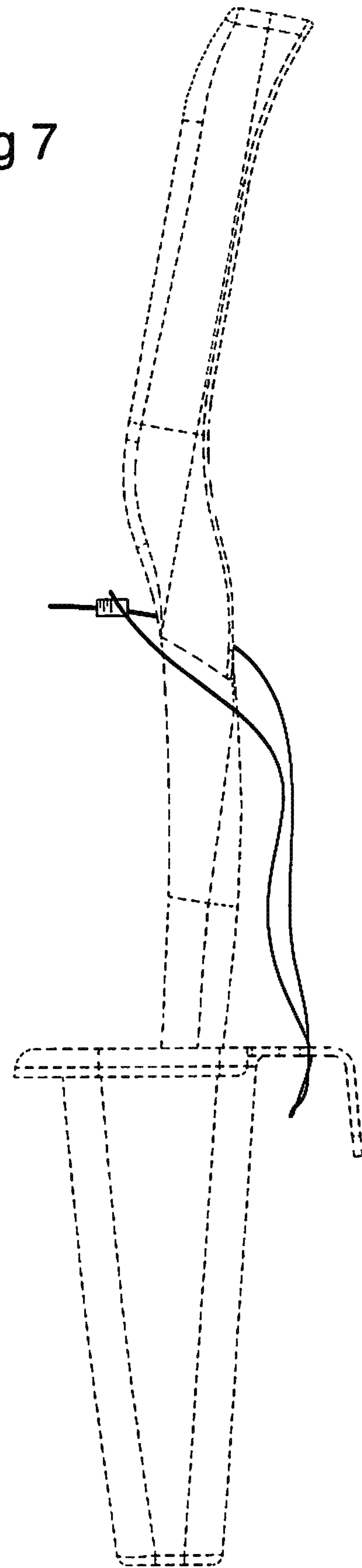


Fig 8

