



US00D939790S

(12) **United States Design Patent** (10) **Patent No.:** **US D939,790 S**
Paxson et al. (45) **Date of Patent:** **** Dec. 28, 2021**

(54) **DOGHOUSE**

D496,501 S * 9/2004 Walter D30/161
D575,907 S * 8/2008 Roderman D30/108
D605,367 S * 12/2009 Northrop D30/117

(71) Applicant: **Doskocil Manufacturing Company, Inc.**, Arlington, TX (US)

(Continued)

(72) Inventors: **Ryan Paxson**, Elk Rapids, MI (US);
David Veness, Fort Worth, TX (US)

OTHER PUBLICATIONS

(73) Assignee: **DOSKOCIL MANUFACTURING COMPANY, INC.**, Arlington, TX (US)

Outback Dog House, posted at walmart.com, earliest date reviewed on Aug. 12, 2020, [online], acquired on Jul. 30, 2020. Available from Internet, <URL:https://www.walmart.com/ip/Outback-Dog-House-Up-To-90lbs/357360957> (Year: 2020).*

(Continued)

(**) Term: **15 Years**

(21) Appl. No.: **29/778,409**

Primary Examiner — Sheryl Lane

Assistant Examiner — Aula Soroush

(22) Filed: **Apr. 13, 2021**

(74) *Attorney, Agent, or Firm* — Global IP Counselors, LLP

Related U.S. Application Data

(63) Continuation of application No. 29/714,217, filed on Nov. 21, 2019.

(51) **LOC (13) Cl.** **30-99**

(52) **U.S. Cl.**
USPC **D30/161**

(58) **Field of Classification Search**
USPC D30/158-161, 108-120; D3/304
CPC A01K 1/011; A01K 1/0107; A01K 1/0125;
A01K 1/0121; A01K 1/033; A01K 1/034;
A01K 1/035; A01K 1/0353; A01K
1/0035; A01K 1/02; A47K 11/02; A47K
11/06; A47K 13/00; A47K 13/06; A47K
13/14

See application file for complete search history.

(57) **CLAIM**

The ornamental design for a doghouse, as shown and described.

DESCRIPTION

FIG. 1 is a front perspective view of a doghouse in accordance with an embodiment of our new design;
FIG. 2 is a rear perspective view of a doghouse in accordance with an embodiment of our new design;
FIG. 3 is a top view of a doghouse in accordance with an embodiment of our new design;
FIG. 4 is a bottom view of a doghouse in accordance with an embodiment of our new design;
FIG. 5 is a right side view of a doghouse in accordance with an embodiment of our new design;
FIG. 6 is a left side view of a doghouse in accordance with an embodiment of our new design;
FIG. 7 is a front view of a doghouse in accordance with an embodiment of our new design; and,
FIG. 8 is a back view of a doghouse in accordance with an embodiment of our new design.

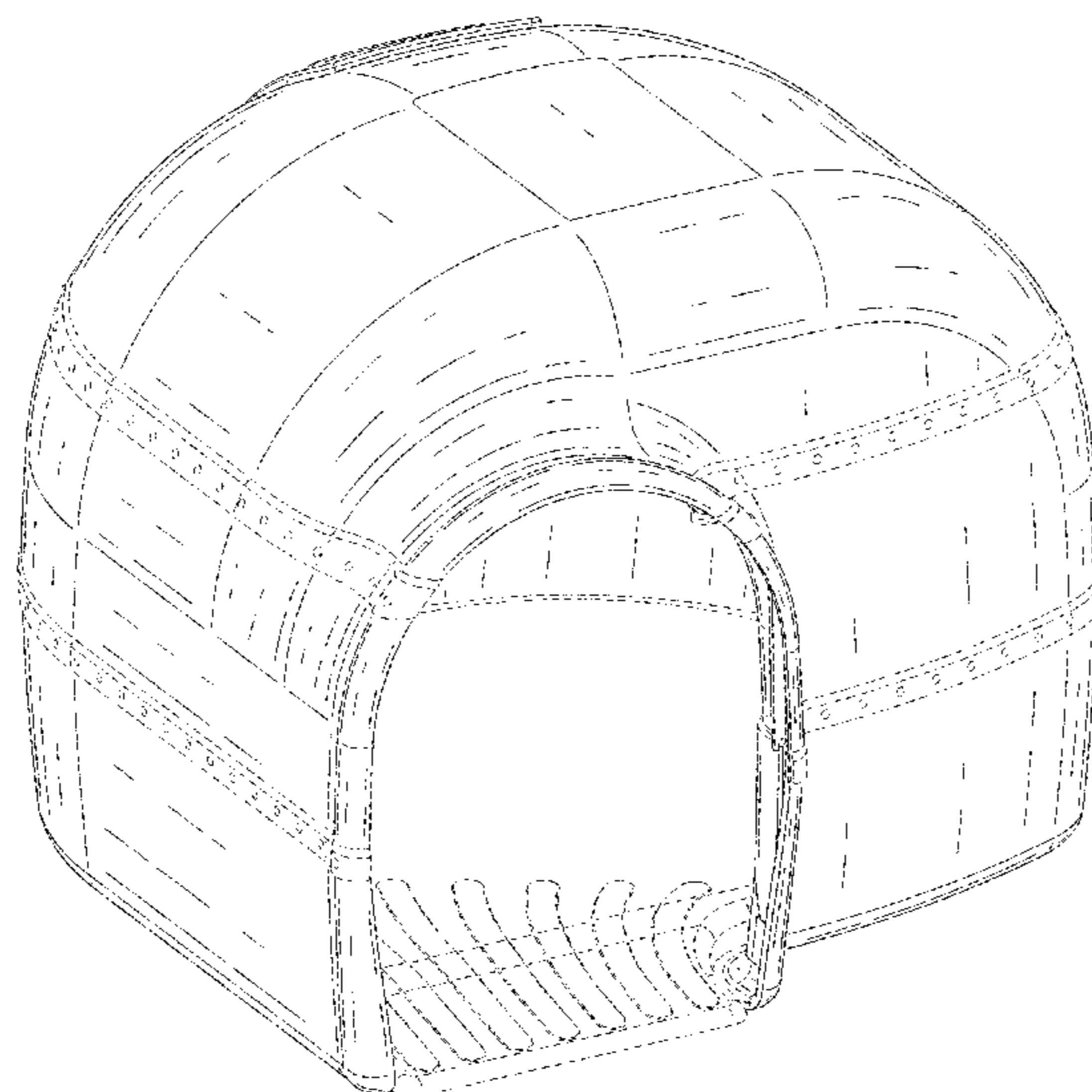
The broken lines in the drawings illustrate portions of the doghouse that form no part of the claimed design.

(56) **References Cited**

U.S. PATENT DOCUMENTS

D245,348 S * 8/1977 Haviland D30/114
5,662,066 A * 9/1997 Reitz A01K 1/0114
119/163
5,713,302 A * 2/1998 Walter A01K 1/0107
119/165

1 Claim, 8 Drawing Sheets



(56)

References Cited

U.S. PATENT DOCUMENTS

D650,533 S * 12/2011 Reick D30/108
D676,613 S * 2/2013 Chiu D30/117
D681,885 S * 5/2013 Pitter D30/121
D743,117 S * 11/2015 Shibata D30/161
D753,886 S * 4/2016 Veness D30/161
D756,041 S * 5/2016 Robbins, III D30/108
D782,755 S * 3/2017 Veness D30/161
D815,365 S * 4/2018 Scariot D30/118
D823,552 S * 7/2018 O'Hara D30/108
10,258,019 B1 * 4/2019 Bogart A01K 1/0114
10,440,932 B2 * 10/2019 Dmoch A01K 1/0107
10,653,106 B2 * 5/2020 Northrop A01K 1/0107
2002/0139312 A1 * 10/2002 Reitz A01K 1/0114
119/165
2007/0051323 A1 * 3/2007 Guard A01K 1/033
119/482
2010/0139570 A1 * 6/2010 Pfingsten A01K 5/0142
119/63
2015/0101543 A1 * 4/2015 Baxter A01K 5/0142
119/498

OTHER PUBLICATIONS

Petmate Husky Dog House, posted at amazon.com, earliest date reviewed on Dec. 4, 2020, [online], acquired on Jul. 30, 2020. Available from Internet, <URL:https://www.amazon.com/Petmate-Husky-House-Dogs-Pounds/dp/B08FXWDSRN/ref=cm_cr_ar_p_d_product_top?ie=UTF8> (Year: 2020).*

* cited by examiner

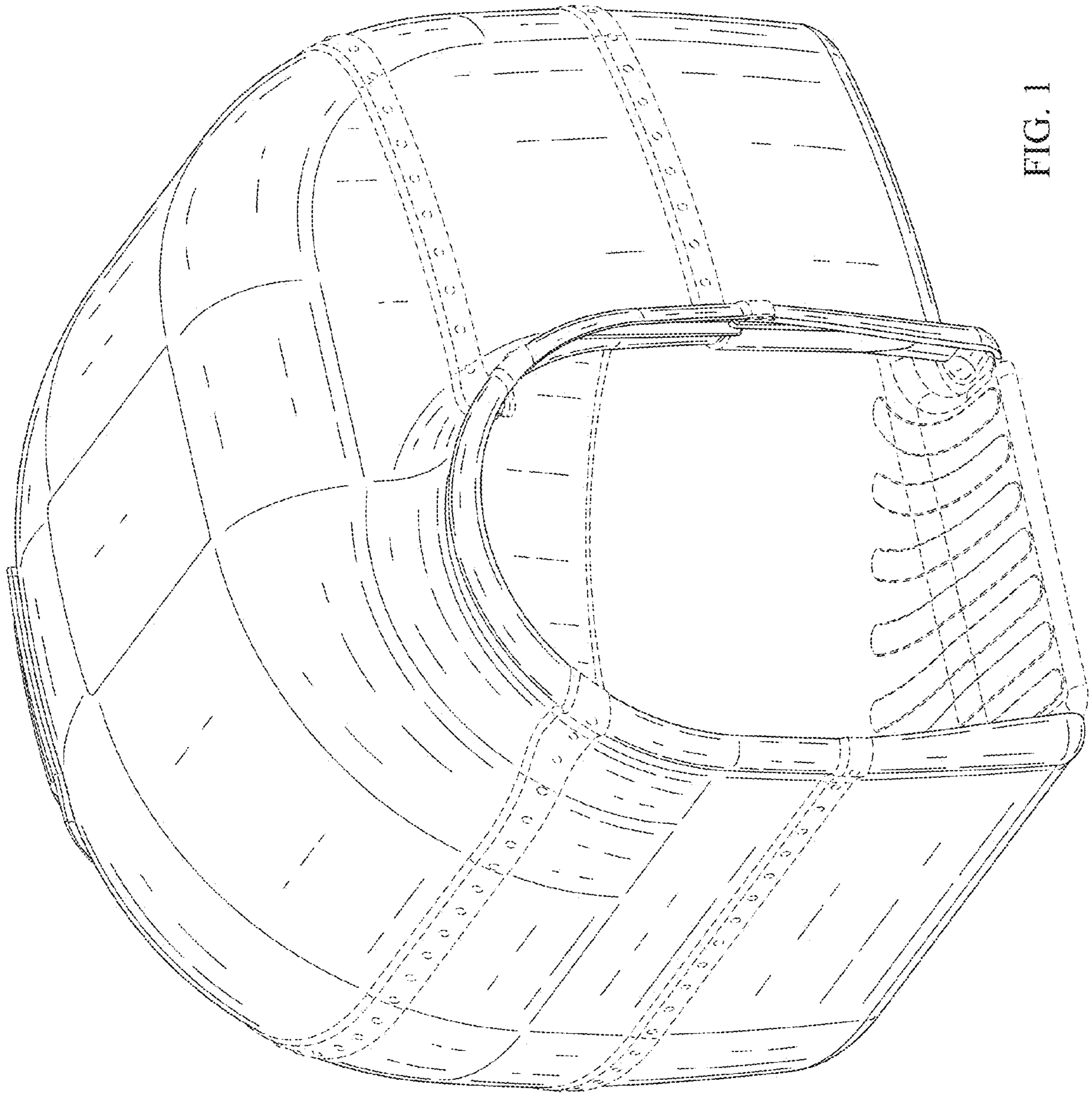


FIG. 1

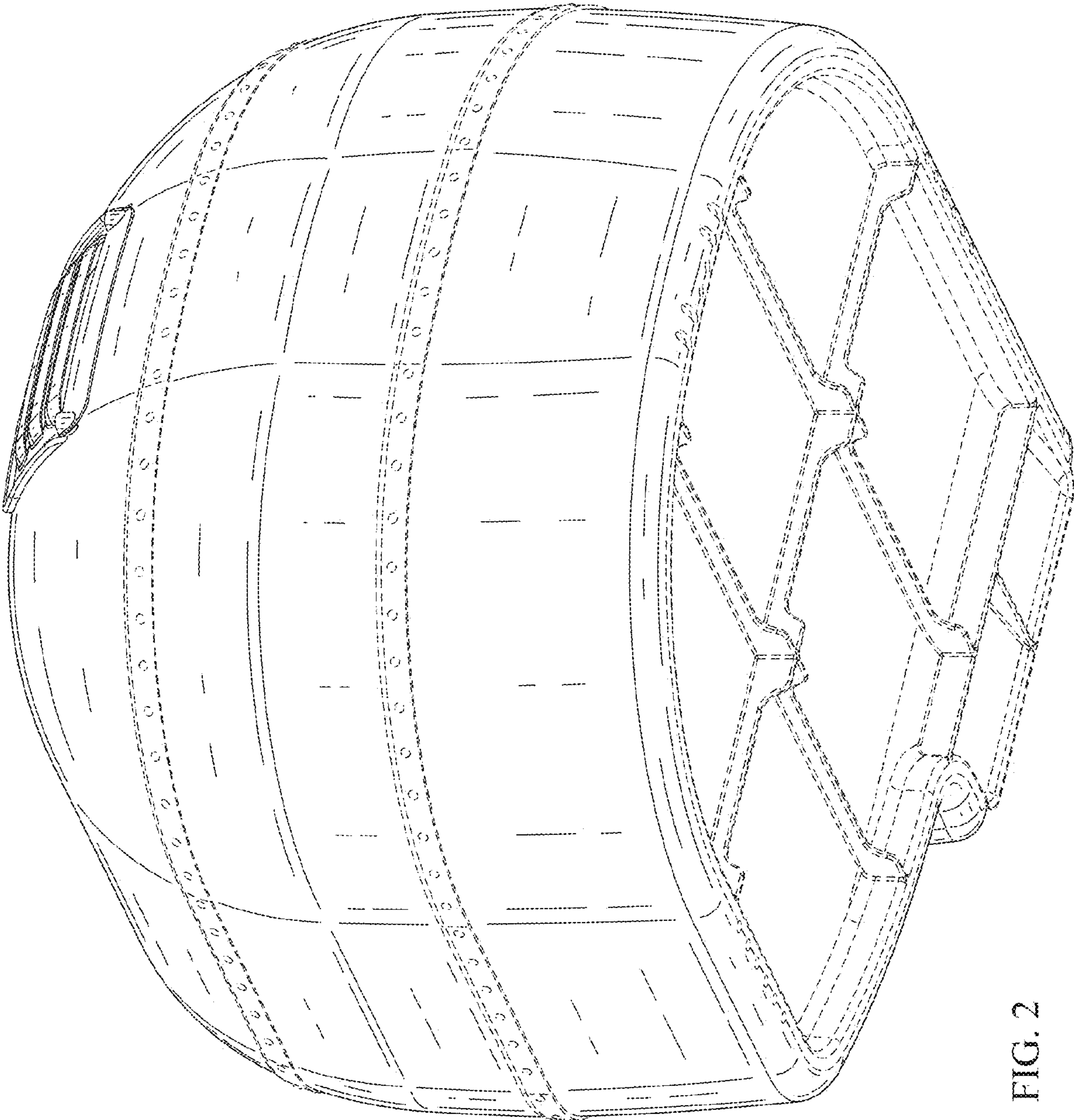


FIG. 2

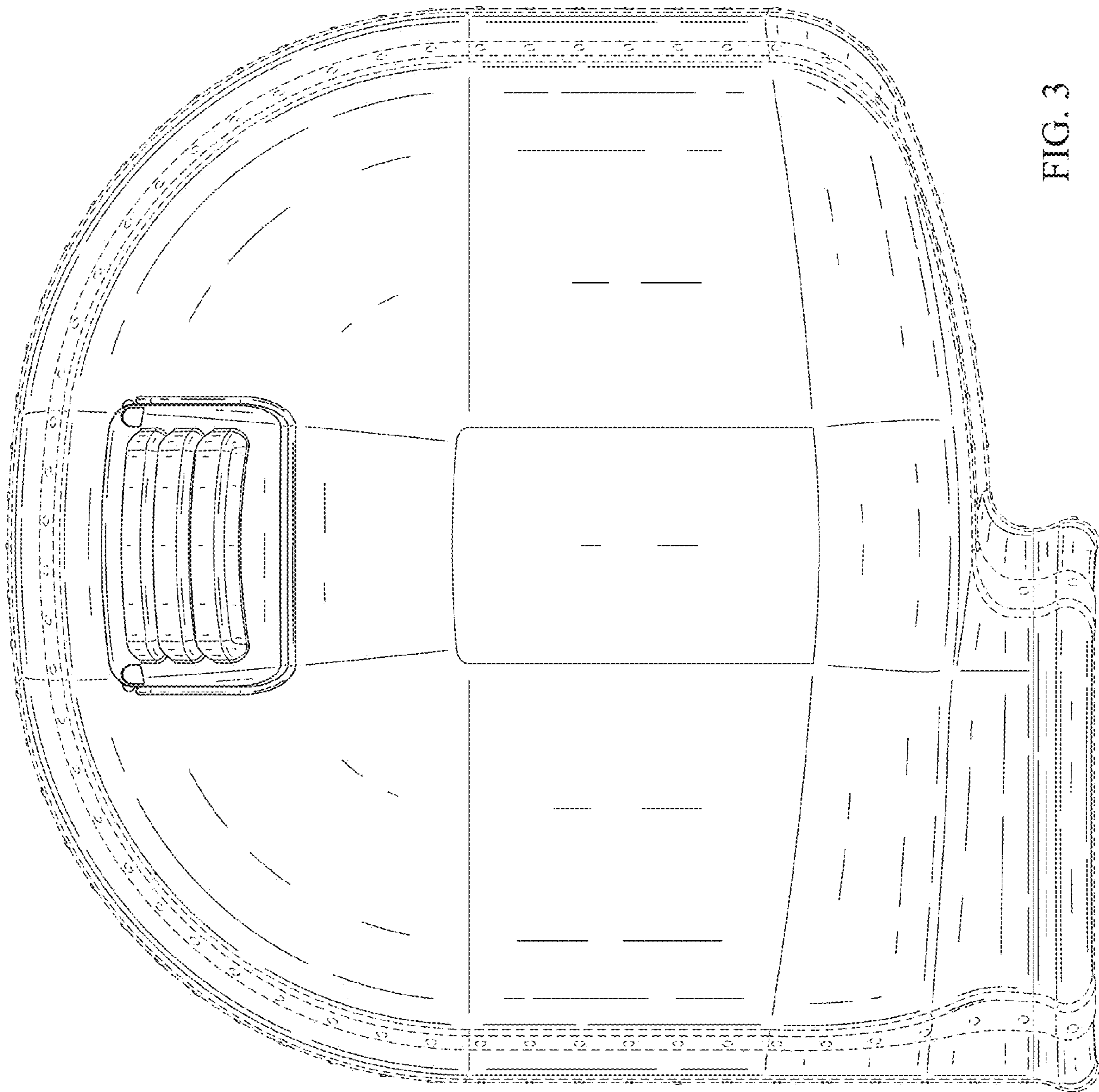


FIG. 3

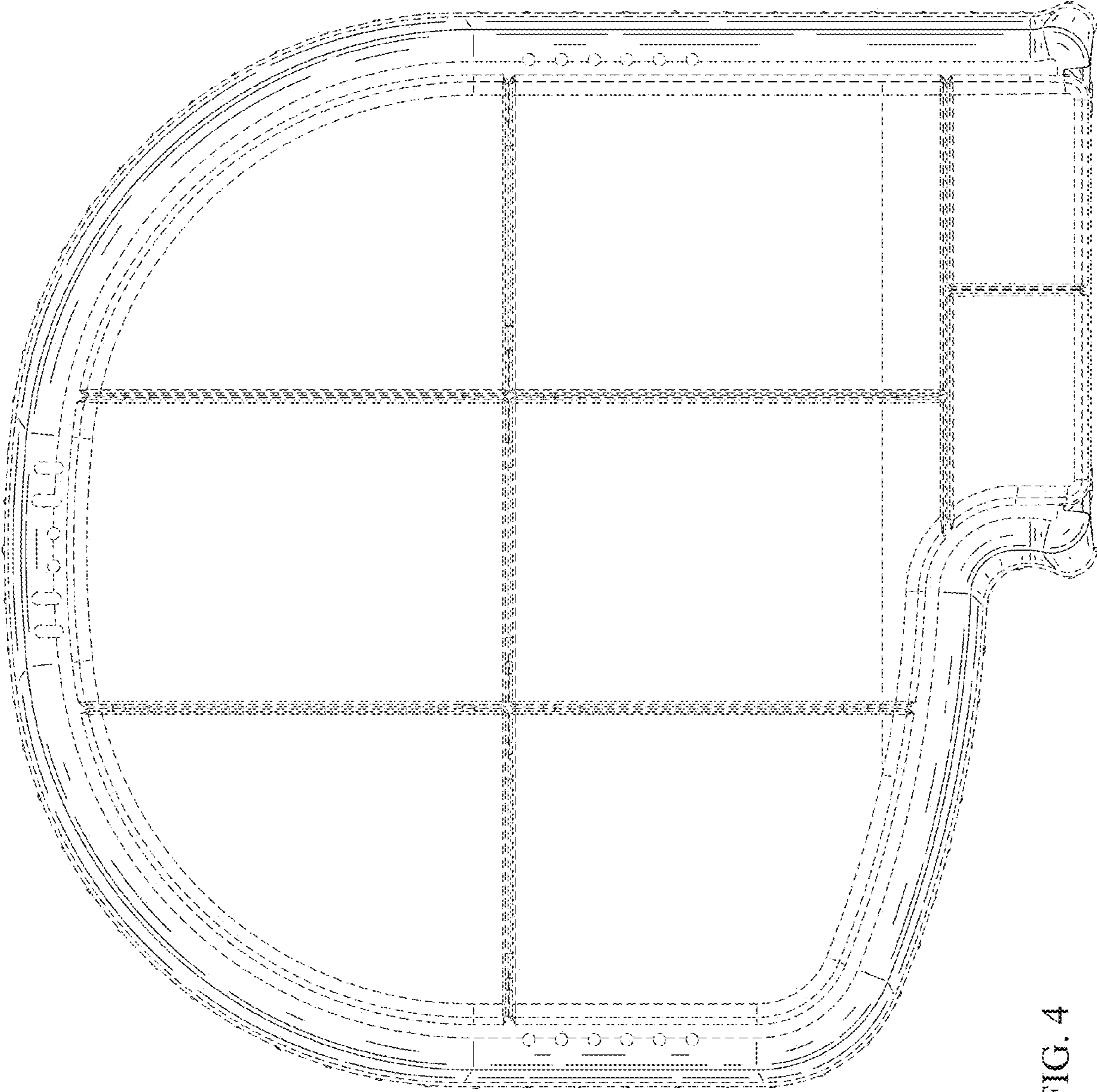


FIG. 4

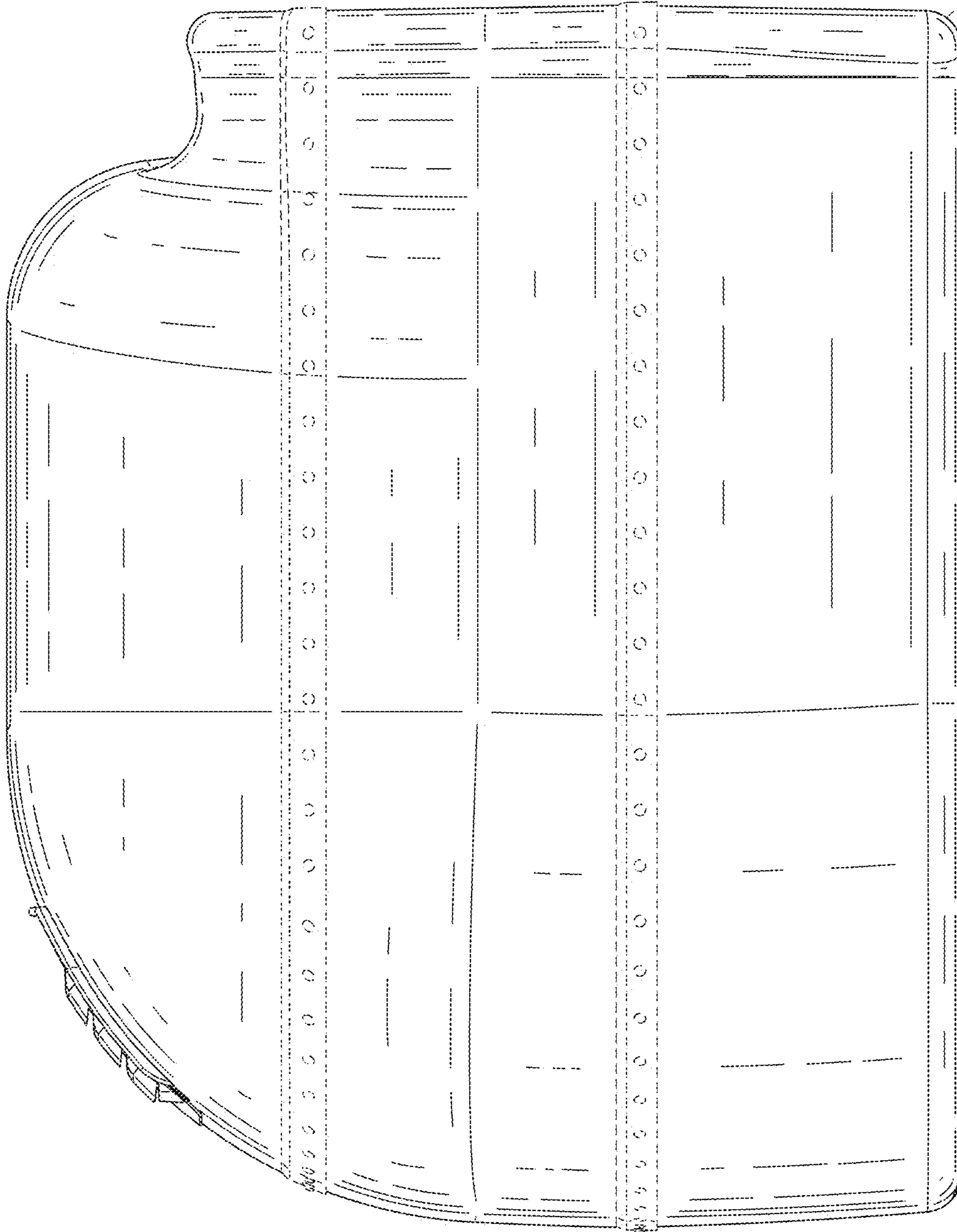


FIG. 5

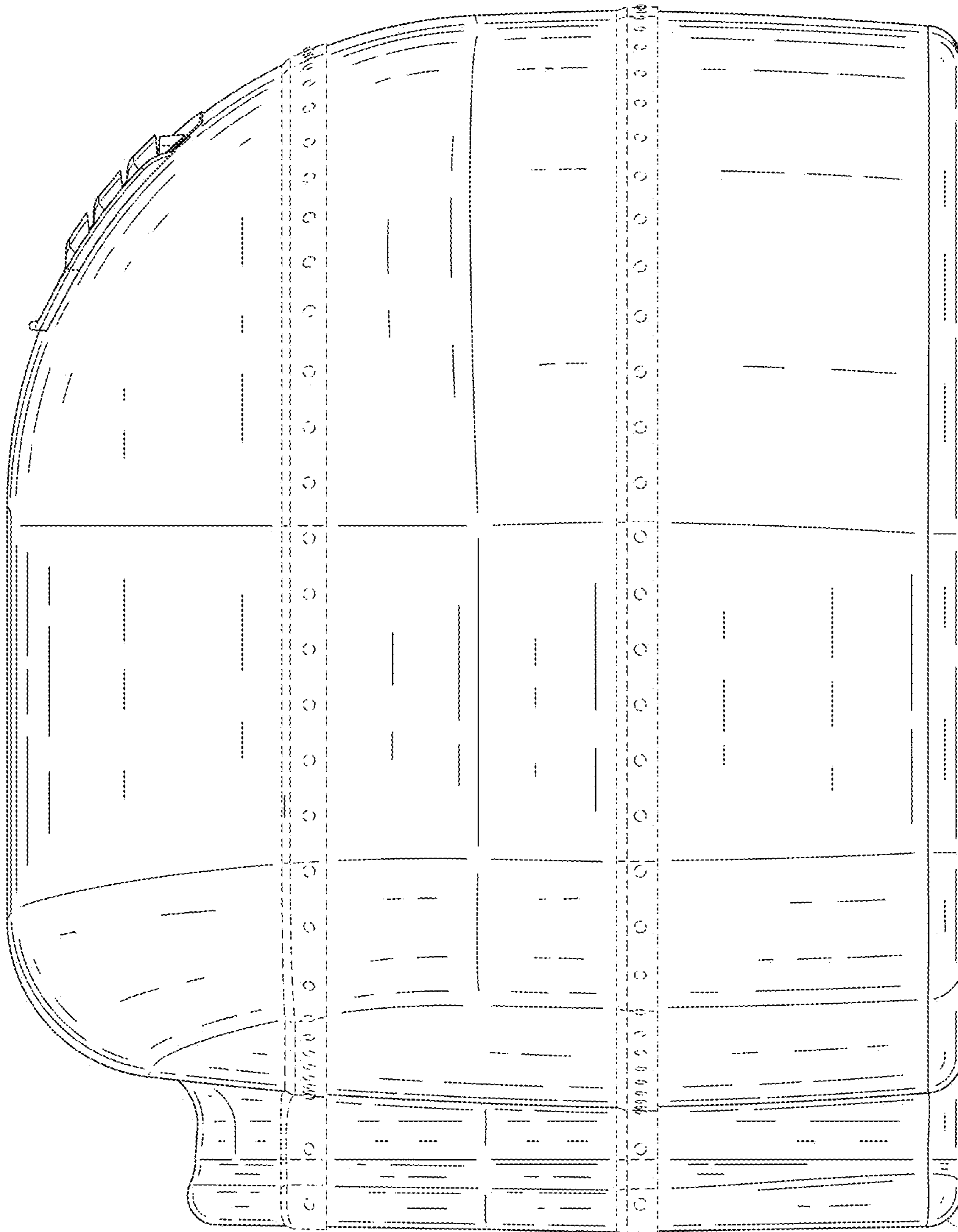


FIG. 6

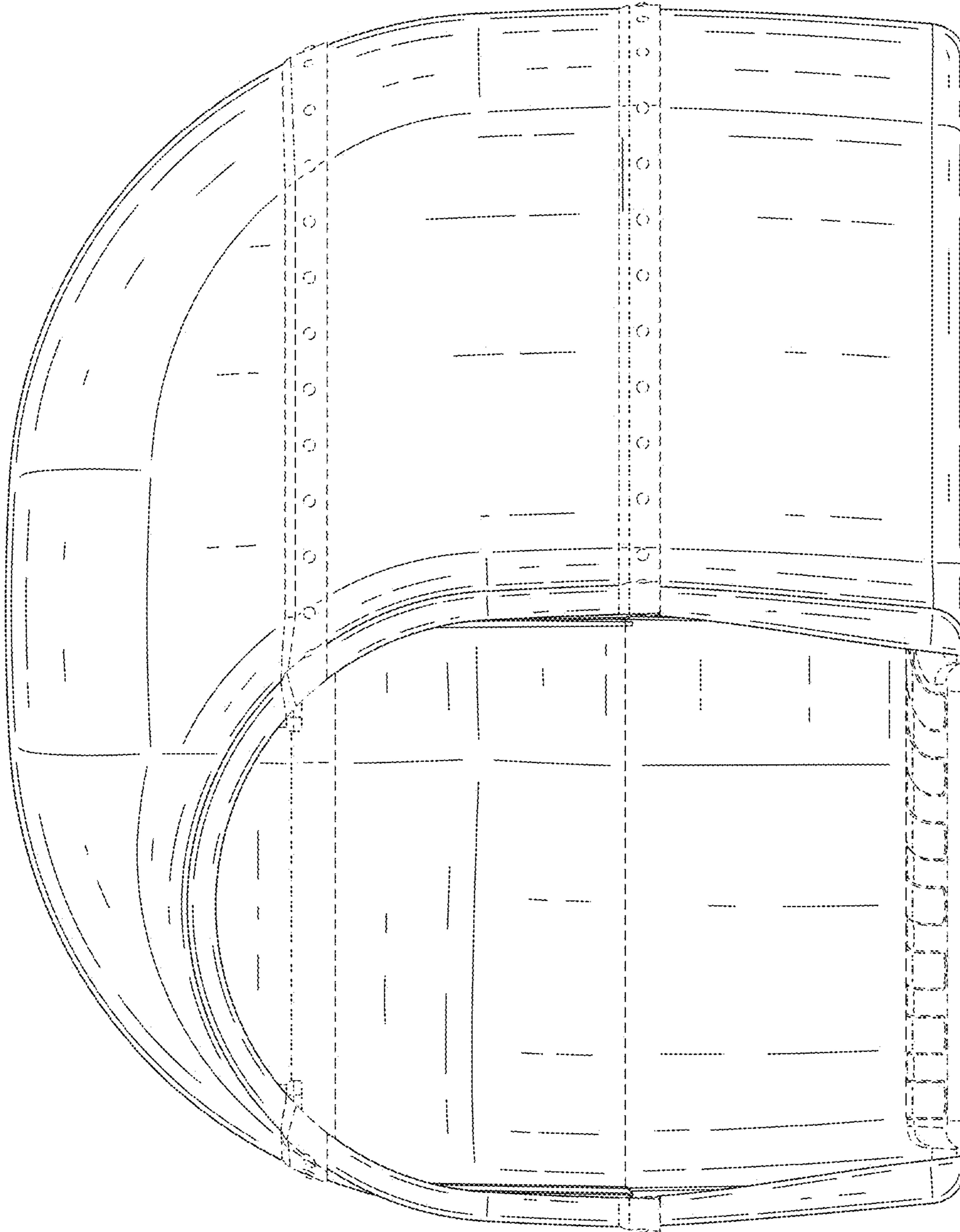


FIG. 7

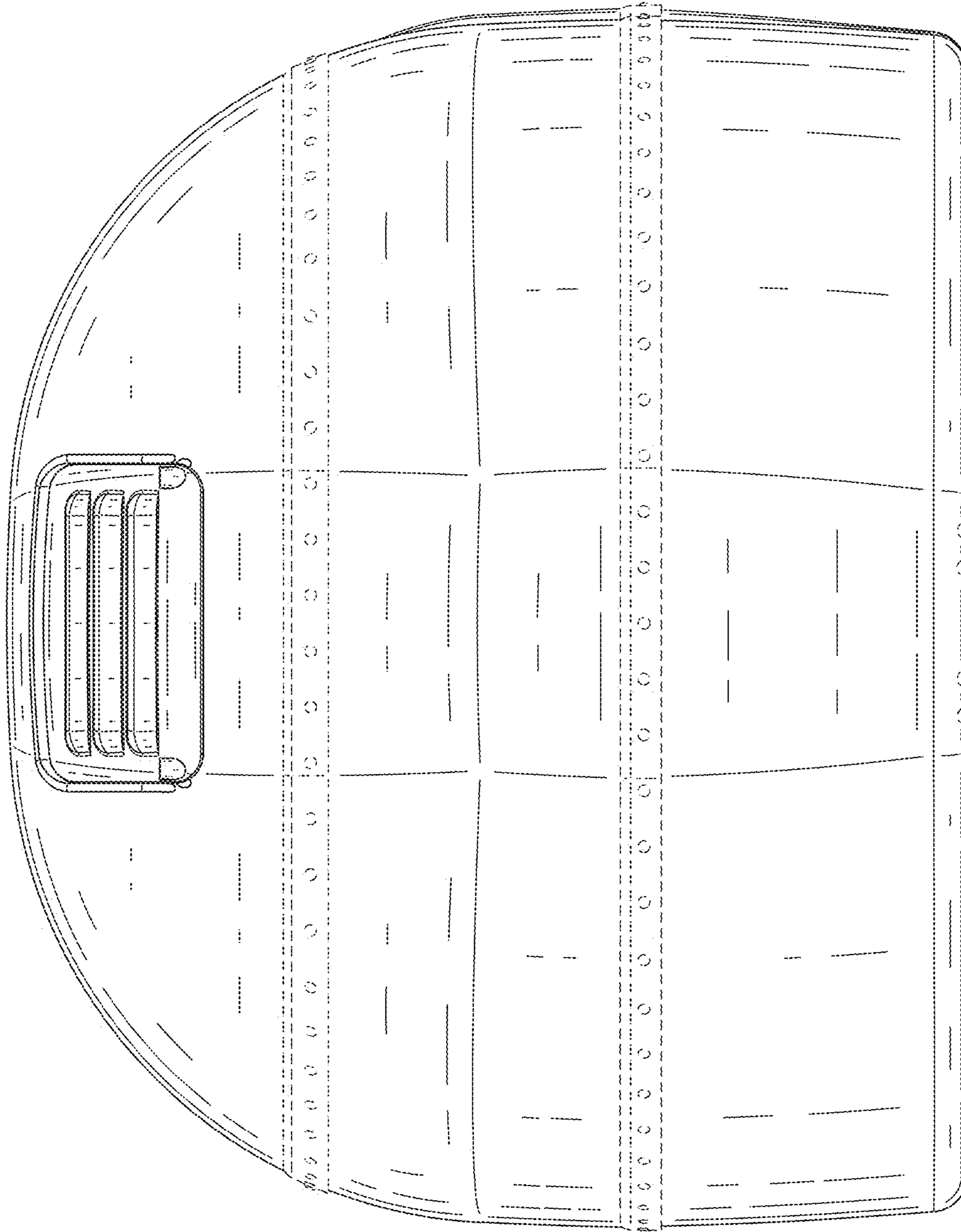


FIG. 8