



US00D939789S

(12) **United States Design Patent** (10) **Patent No.:** **US D939,789 S**
Jakubowski et al. (45) **Date of Patent:** **** Dec. 28, 2021**

(54) **LITTER CONTAINMENT ASSEMBLY**

D519,685 S * 4/2006 Scarpaci D30/108
7,228,820 B1 * 6/2007 Kellogg A01K 1/03

(71) Applicant: **Vermont Juvenile Furniture Mfg., Inc.**, West Rutland, VT (US)

D612,111 S * 3/2010 Kellogg D30/160
(Continued)

(72) Inventors: **Chris Jakubowski**, Rutland, VT (US);
Todd M. Jakubowski, Rutland, VT (US); **Kristen Jakubowski**, Rutland, VT (US)

OTHER PUBLICATIONS

Petsfit Double-Decker CatLitter Box Enclosure, Removable Durable Outer Cloth is Easy Cleaning, 23"x21"x35", 7 pages, Jan. 1, 2018.
(Continued)

(73) Assignee: **Vermont Juvenile Furniture Mfg., Inc.**, West Rutland, VT (US)

Primary Examiner — Sheryl Lane

Assistant Examiner — Aula Soroush

(**) Term: **15 Years**

(74) *Attorney, Agent, or Firm* — Volpe Koenig

(21) Appl. No.: **29/756,738**

(57) **CLAIM**

(22) Filed: **Oct. 30, 2020**

The ornamental design for a litter containment assembly, as shown and described.

Related U.S. Application Data

DESCRIPTION

(62) Division of application No. 29/687,420, filed on Apr. 12, 2019.

(51) **LOC (13) Cl.** **30-99**

(52) **U.S. Cl.**
USPC **D30/161**

(58) **Field of Classification Search**
USPC D30/118-119, 158-161; D21/520,
D21/834-840; D6/601, 349, 595-597,
D6/604, 382, 331
CPC A01K 1/00; A01K 1/0272; A01K 1/0353;
A01K 1/035; A01K 1/011; A01K 1/0114;
A01K 1/0152
See application file for complete search history.

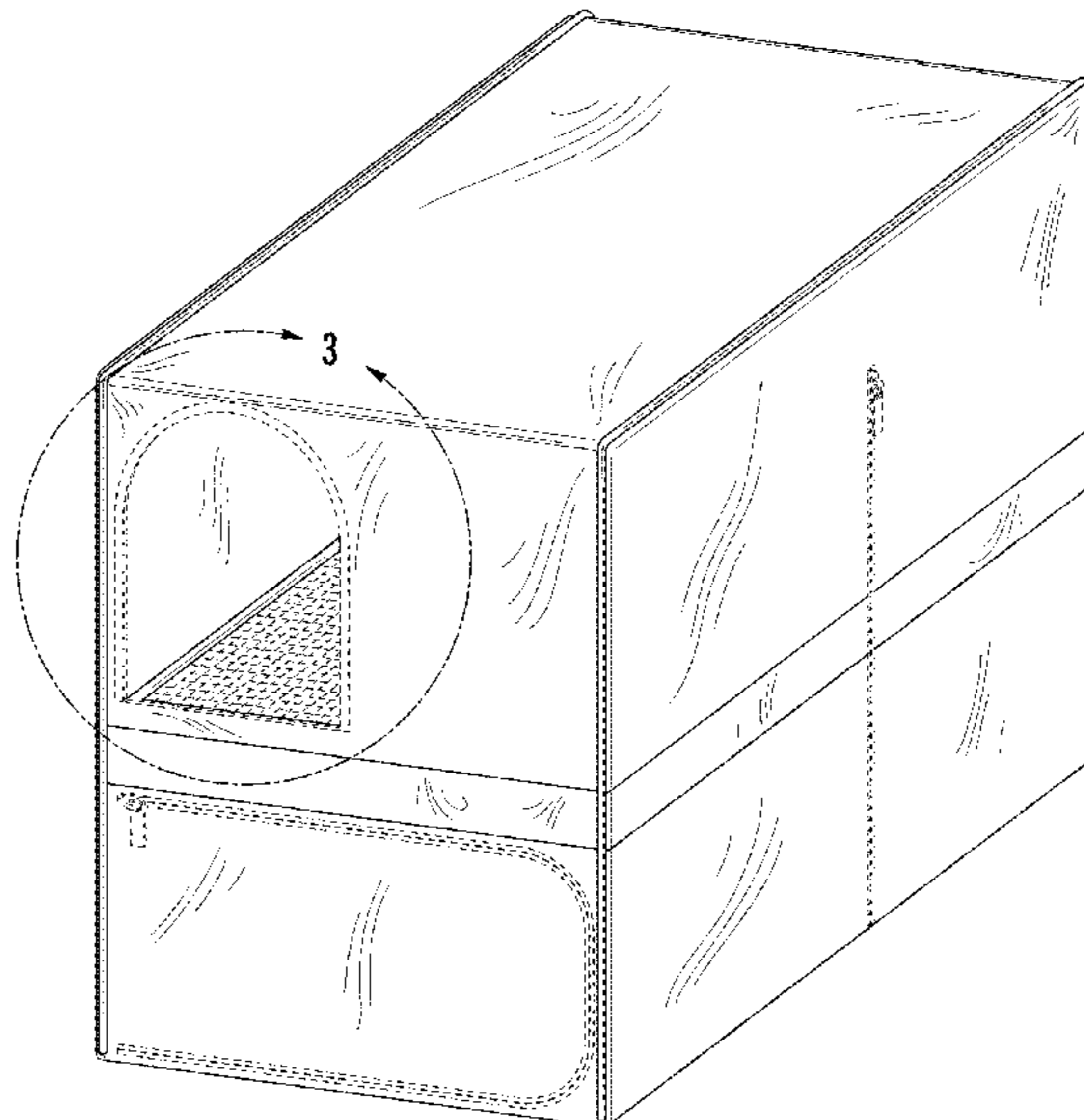
FIG. 1 is a top, front, right isometric view of a litter containment assembly in accordance with our design;
FIG. 2 is a top, front, right isometric view thereof, that is partially broken away to more clearly show features inside the litter containment assembly;
FIG. 3 is an enlarged detail of a portion of the view shown in FIG. 1;
FIG. 4 is a front elevational view thereof;
FIG. 5 is a rear elevational view thereof;
FIG. 6 is a right side elevational view thereof;
FIG. 7 is a left side elevational view thereof;
FIG. 8 is a top plan view thereof;
FIG. 9 is a bottom plan view thereof; and,
FIG. 10 is a view taken along line 10-10 in FIG. 8 showing part of the inside of the litter containment assembly.
The broken lines shown in the drawings depict portions of the litter containment assembly that form no part of the claimed design.

(56) **References Cited**

U.S. PATENT DOCUMENTS

4,590,885 A * 5/1986 Sugiura A01K 1/0245
119/497
5,092,277 A 3/1992 Baillie et al.
6,371,048 B1 4/2002 Smith

1 Claim, 10 Drawing Sheets



(56)

References Cited

U.S. PATENT DOCUMENTS

D677,012	S	2/2013	Duvigneau	
9,107,383	B2	8/2015	Khalili	
D881,485	S *	4/2020	Jakubowski D30/161
2008/0134985	A1 *	6/2008	Jakubowski A01K 1/0254 119/499
2015/0020743	A1	1/2015	Bauer et al.	
2015/0047574	A1 *	2/2015	Jakubowski A01K 1/0254 119/499
2016/0057969	A1 *	3/2016	Kellogg A01K 1/034 119/474
2019/0174710	A1 *	6/2019	Jakubowski A01K 1/033
2020/0100452	A1 *	4/2020	Jakubowski A01K 1/0125
2020/0315126	A1 *	10/2020	Jakubowski A01K 1/0125

OTHER PUBLICATIONS

Petsfit Fabric 5 Level Cat Tree for Multiple Cats, Hide Holes Inside for Climbing, 7 pages, Jan. 1, 2018.

Lexington Circular Obstacle Play-Active Collapsible Travel Pet Cat House, 3 pages, Jan. 1, 2018.

Petsfit Polyester Crate Cover for Wire Crates, 2 pages, Jan. 1, 2018.

Yaheetech 4 Tier Cat Cage/Cat Playpen with 2 Front Doors, & 3 Ramp Ladders & 3 Resting Platforms & Cat Bed & Locking Casters/Ideal for 1-2 Cats/Cage Measures 32Lx22Wx48H inches, 17 pages, Jan. 1, 2018.

* cited by examiner

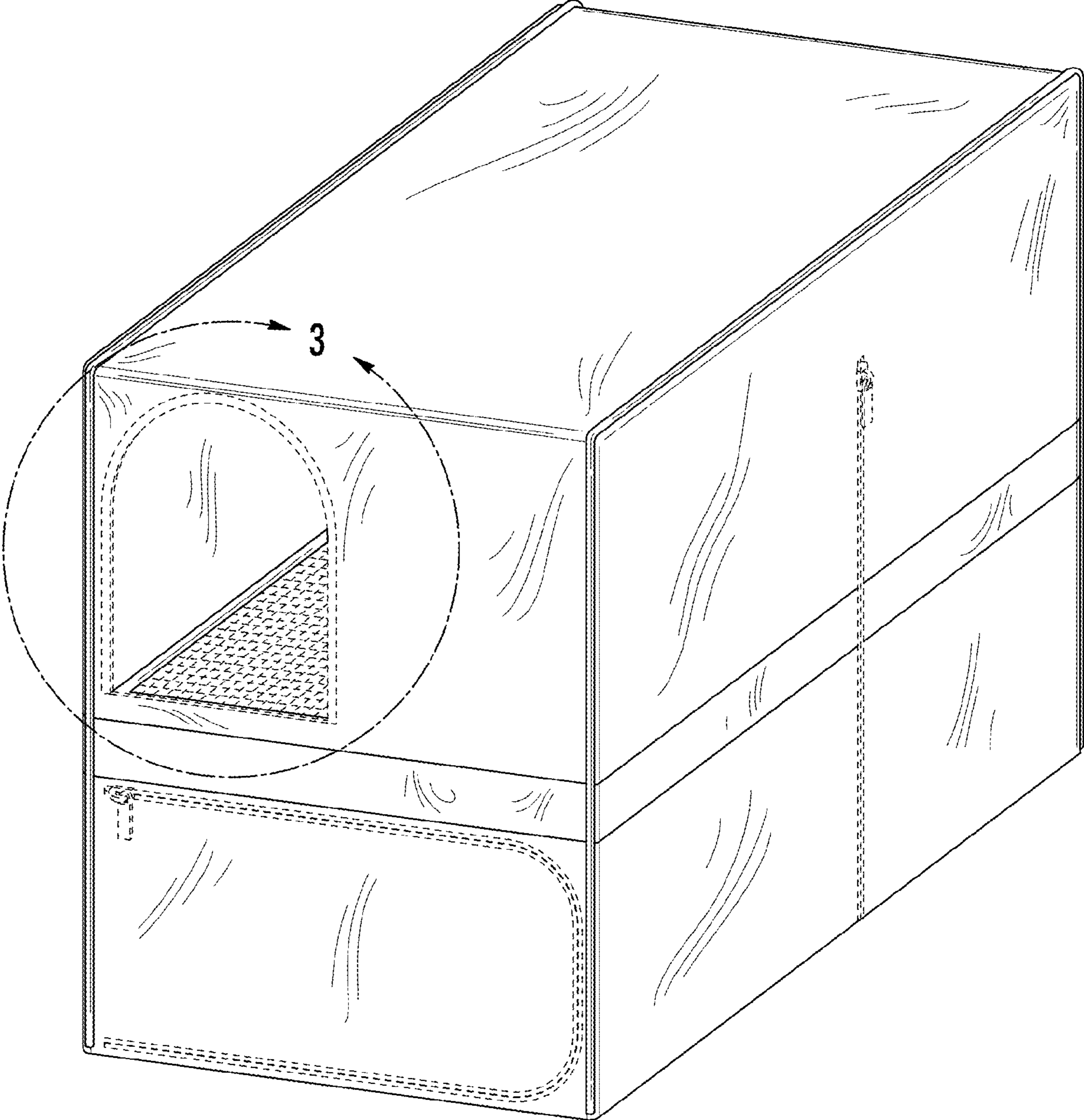


FIG. 1

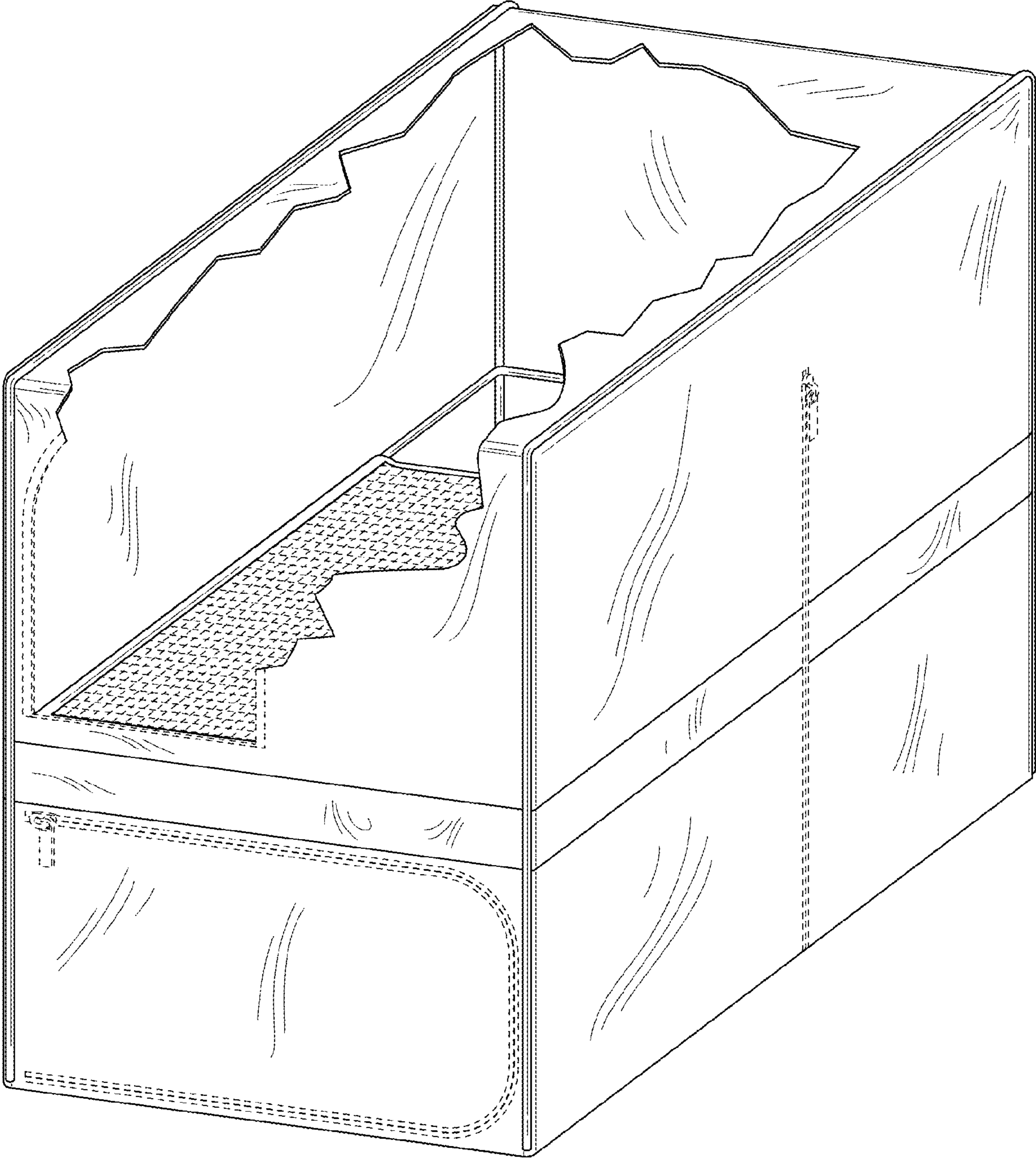


FIG. 2

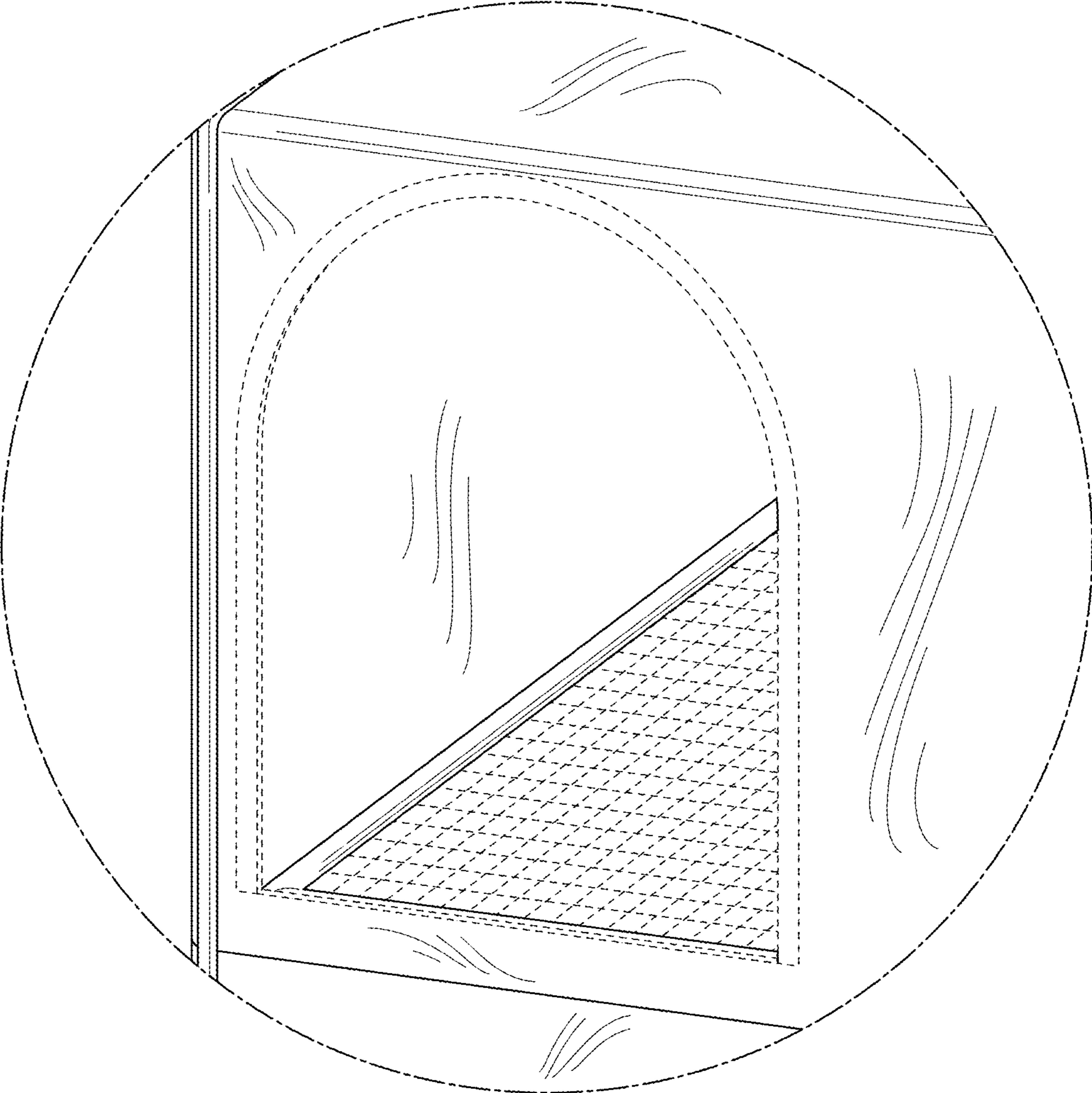


FIG. 3

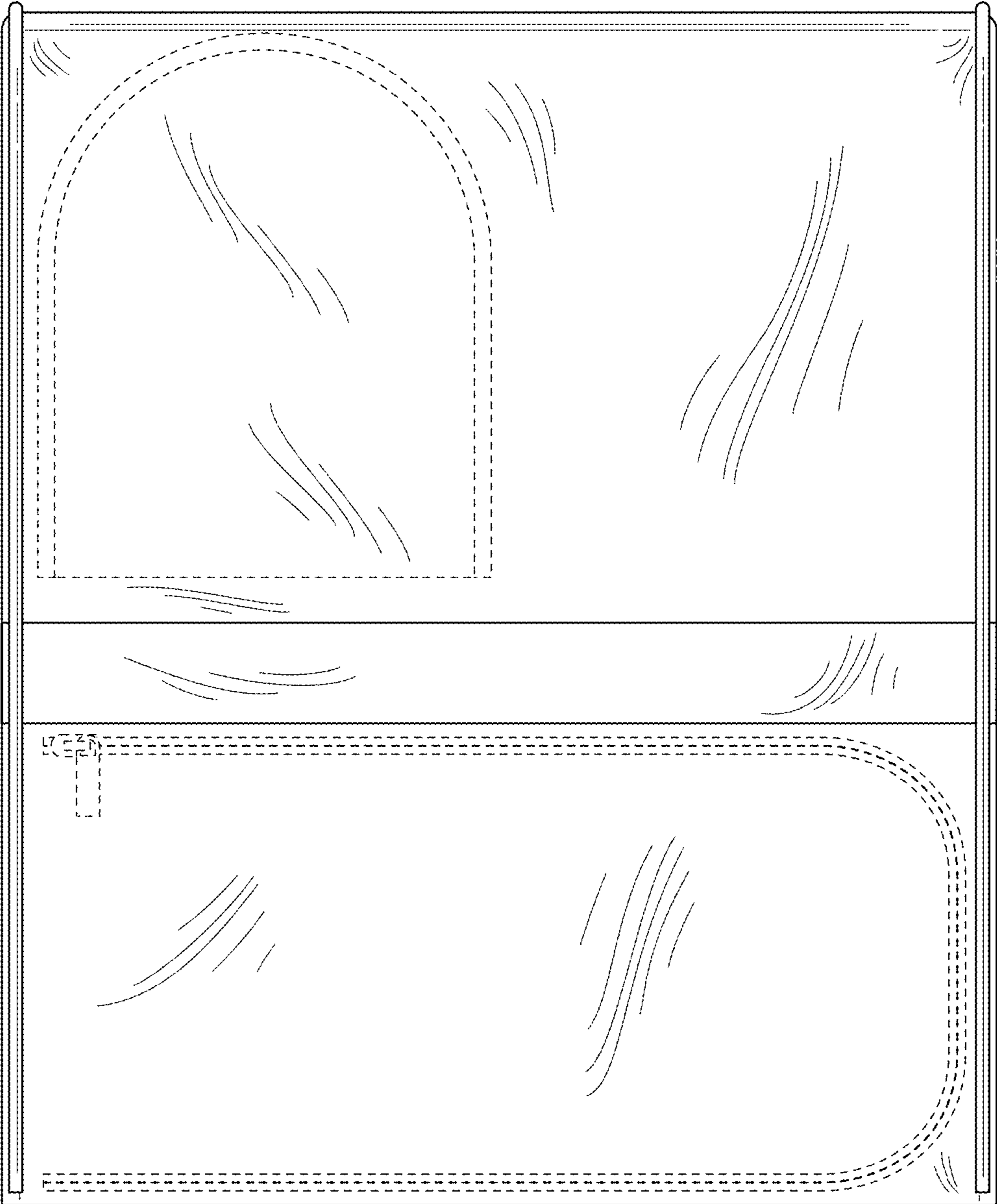


FIG. 4

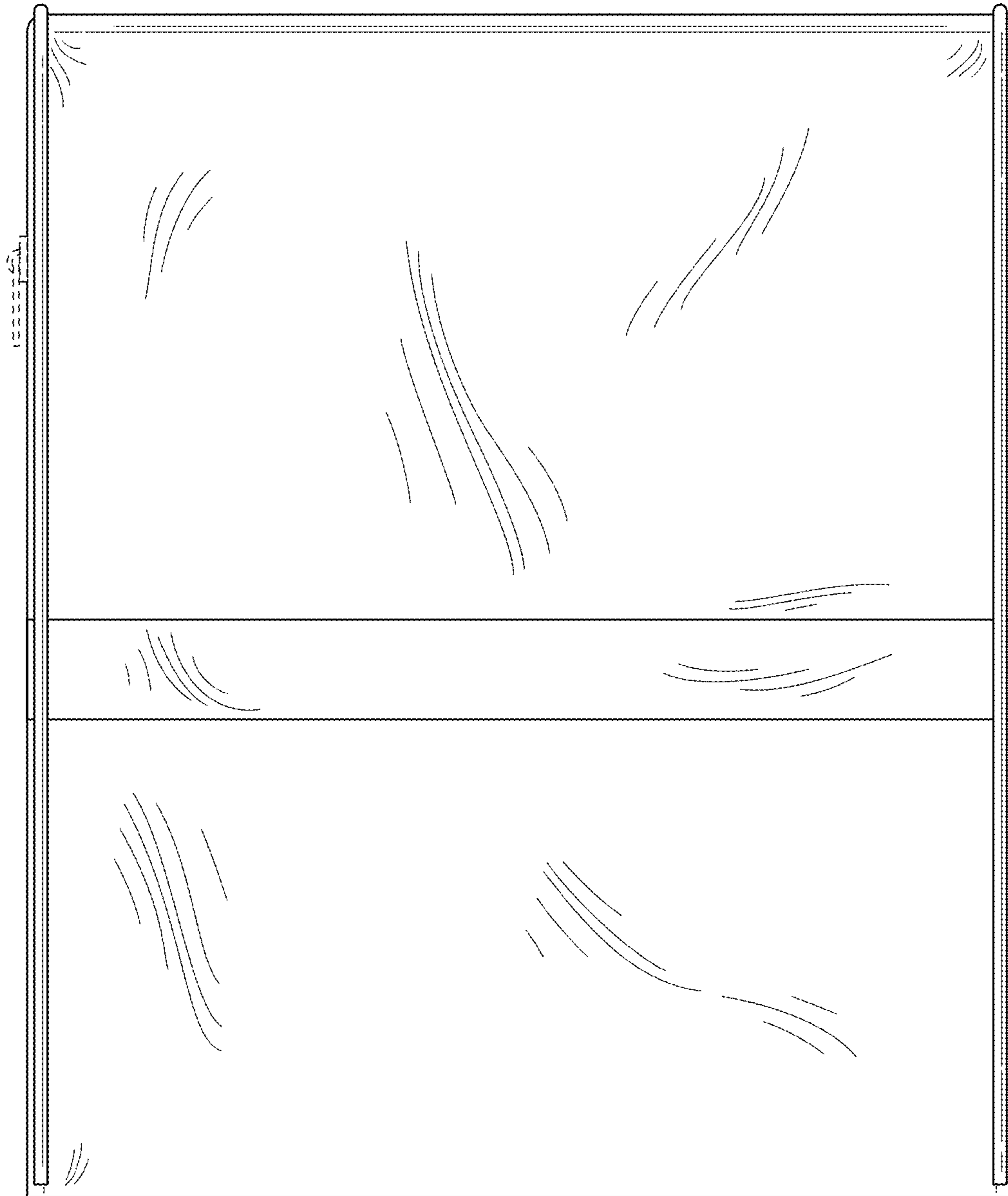


FIG. 5

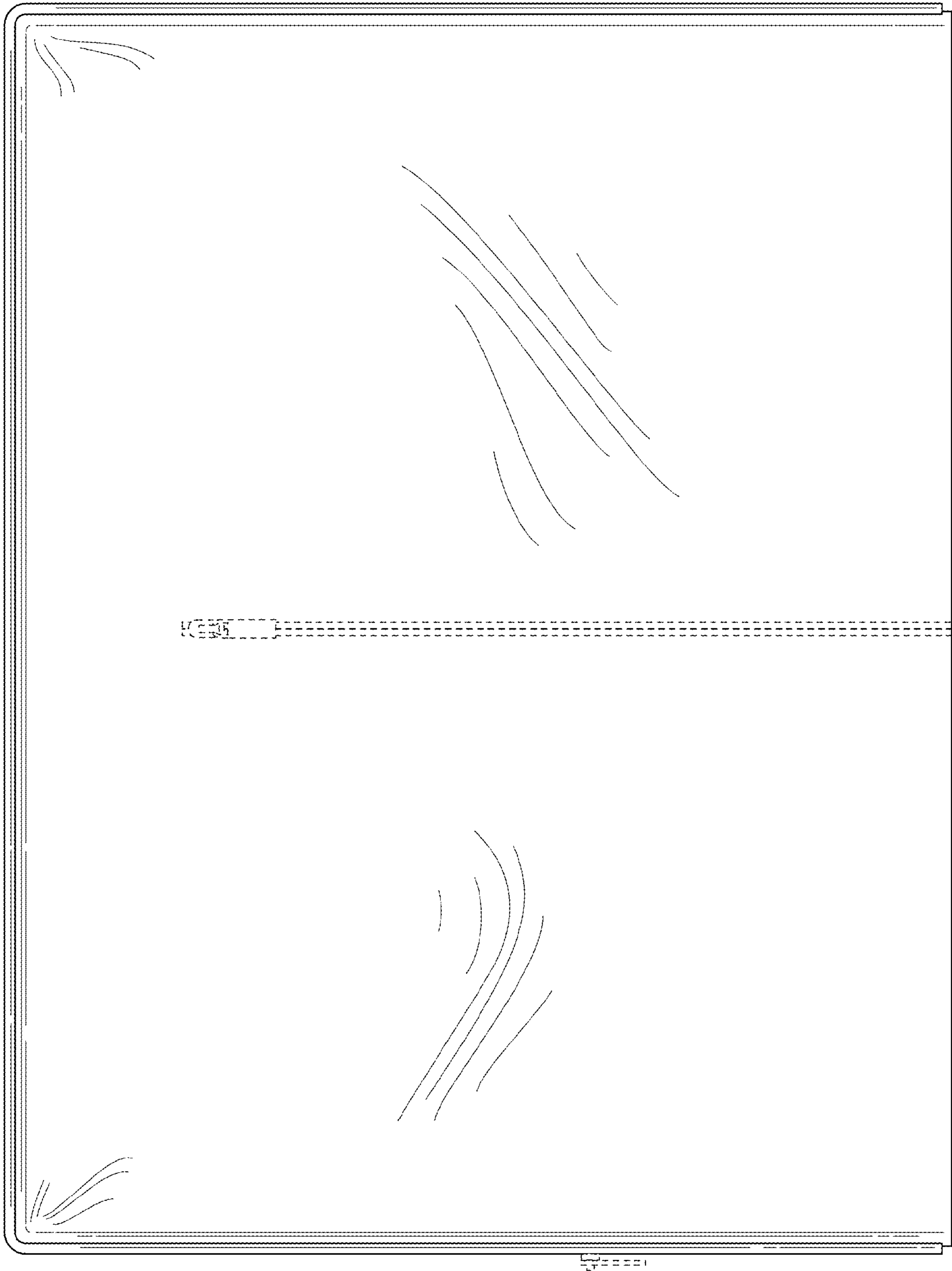


FIG. 6

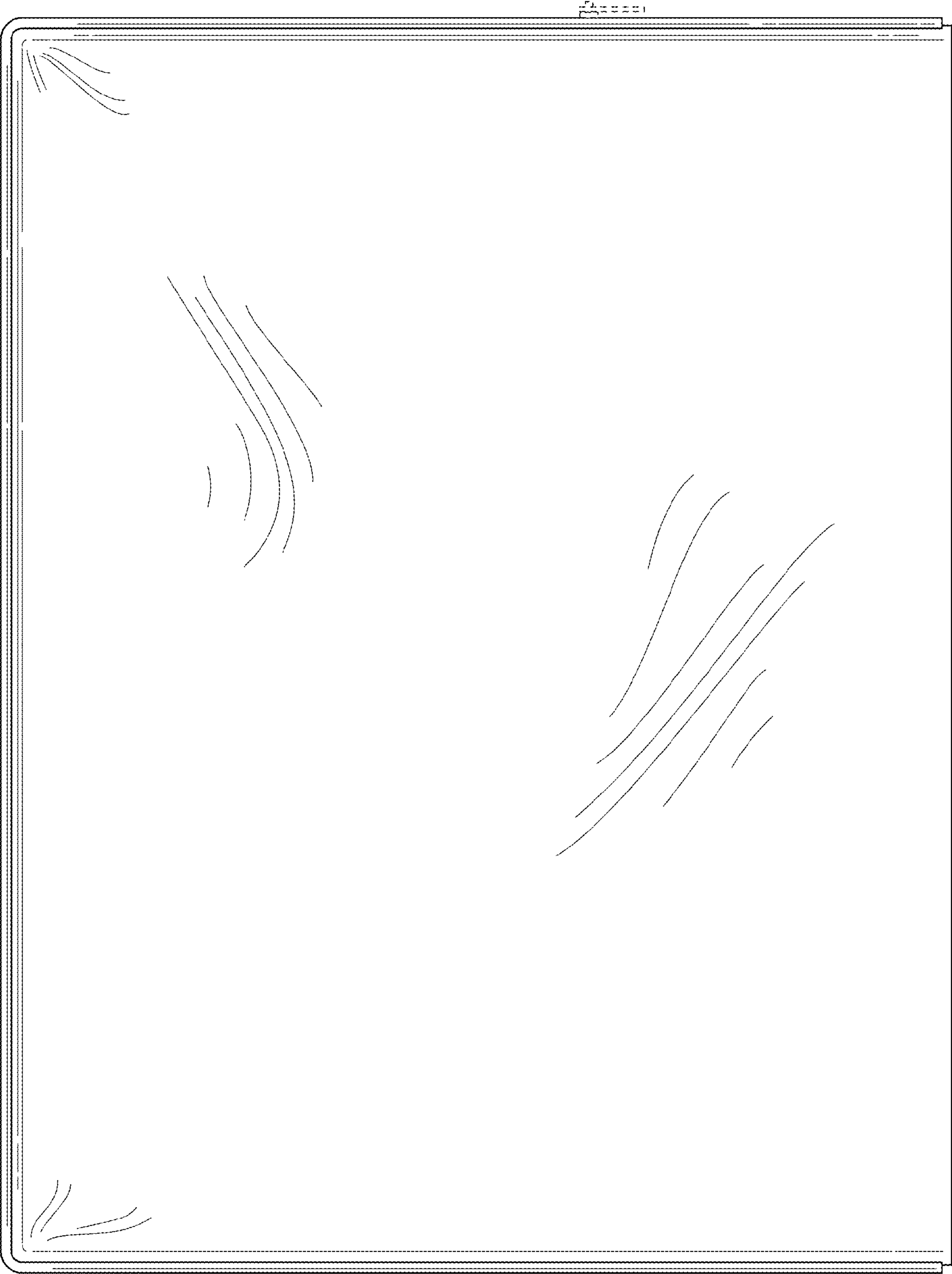


FIG. 7



FIG. 8

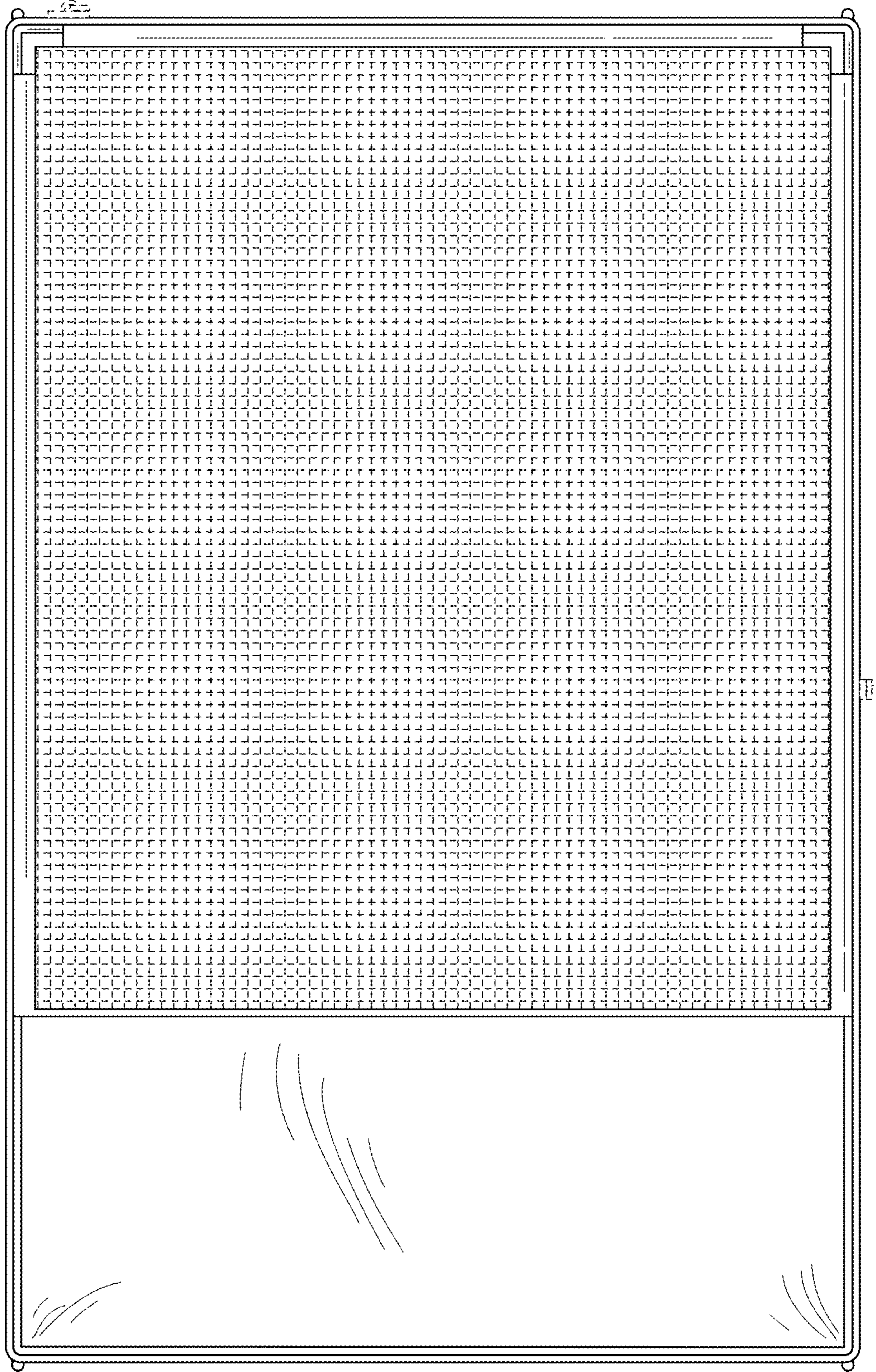


FIG. 9

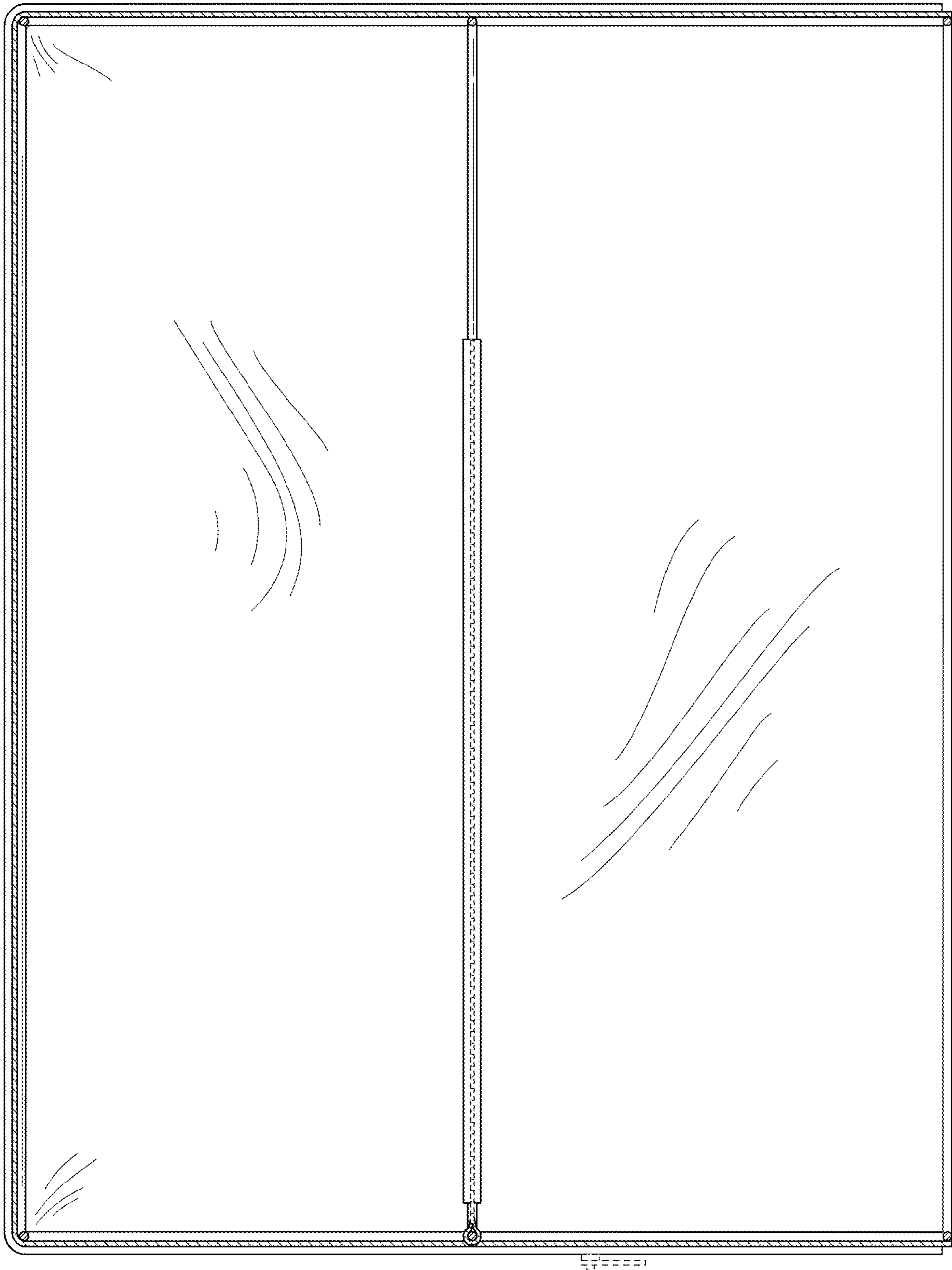


FIG. 10