

US00D939788S

(12) **United States Design Patent** (10) **Patent No.:** **US D939,788 S**
Jakubowski et al. (45) **Date of Patent:** **** Dec. 28, 2021**

(54) **LITTER CONTAINMENT ASSEMBLY**

D677,012 S 2/2013 Duvigneau
9,107,383 B2 8/2015 Khalili
D881,485 S * 4/2020 Jakubowski D30/161
2008/0134985 A1 * 6/2008 Jakubowski A01K 1/0254
119/499

(71) Applicant: **Vermont Juvenile Furniture Mfg., Inc.**, West Rutland, VT (US)

(Continued)

(72) Inventors: **Chris Jakubowski**, Rutland, VT (US);
Todd M. Jakubowski, Rutland, VT (US); **Kristen Jakubowski**, Rutland, VT (US)

OTHER PUBLICATIONS

Petsfit Double-Decker CatLitter Box Enclosure, Removable Durable Outer Cloth is Easy Cleaning, 23"x21"x35", 7 pages, Jan. 1, 2018.

(Continued)

(73) Assignee: **Vermont Juvenile Furniture Mfg., Inc.**, West Rutland, VT (US)

Primary Examiner — Sheryl Lane
Assistant Examiner — Aula Soroush

(**) Term: **15 Years**

(74) *Attorney, Agent, or Firm* — Volpe Koenig

(21) Appl. No.: **29/687,420**

(57) **CLAIM**

(22) Filed: **Apr. 12, 2019**

The ornamental design for a litter containment assembly, as shown and described.

(51) **LOC (13) Cl.** **30-99**

(52) **U.S. Cl.**
USPC **D30/161**

DESCRIPTION

(58) **Field of Classification Search**
USPC D30/118–119, 158–161; D21/520,
D21/834–840; D6/601, 349, 595–597,
D6/604, 382, 331
CPC A01K 1/00; A01K 1/0272; A01K 1/0353;
A01K 1/035; A01K 1/011; A01K 1/0114;
A01K 1/0152
See application file for complete search history.

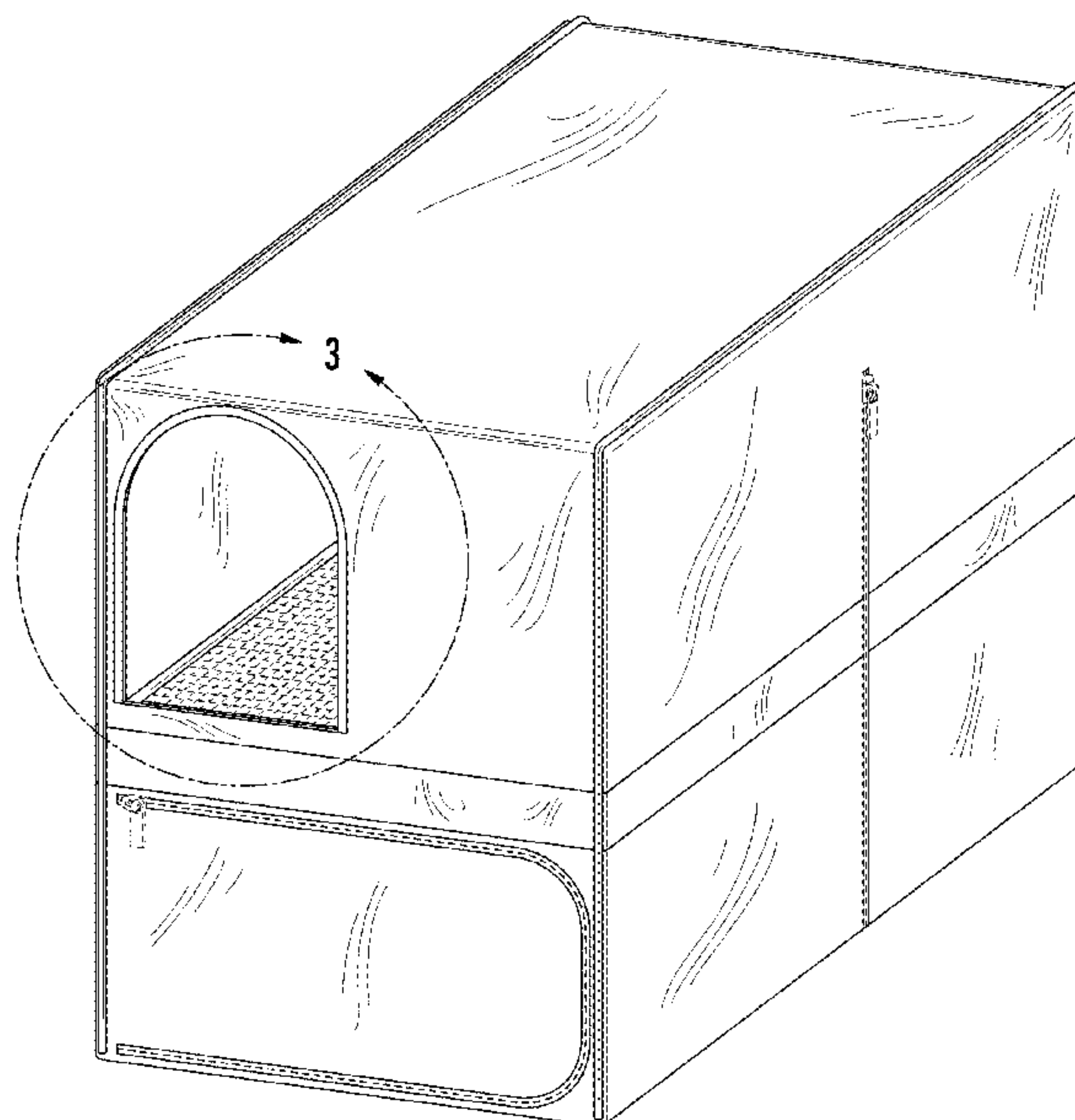
FIG. 1 is a top, front, right isometric view of a litter containment assembly in accordance with our design;
FIG. 2 is a top, front, right isometric view thereof, that is partially broken away to more clearly show features inside the litter containment assembly;
FIG. 3 is an enlarged detail of a portion of the view shown in FIG. 1;
FIG. 4 is a front elevational view thereof;
FIG. 5 is a rear elevational view thereof;
FIG. 6 is a right side elevational view thereof;
FIG. 7 is a left side elevational view thereof;
FIG. 8 is a top plan view thereof;
FIG. 9 is a bottom plan view thereof; and,
FIG. 10 is a view taken along line 10-10 in FIG. 8 showing part of the inside of the litter containment assembly.
The broken lines shown in the drawings depict portions of the litter containment assembly that form no part of the claimed design.

(56) **References Cited**

U.S. PATENT DOCUMENTS

4,590,885 A * 5/1986 Sugiura A01K 1/0245
119/497
5,092,277 A 3/1992 Baillie et al.
6,371,048 B1 4/2002 Smith
D519,685 S * 4/2006 Scarpaci D30/108
7,228,820 B1 * 6/2007 Kellogg A01K 1/03
119/498
D612,111 S * 3/2010 Kellogg D30/160

1 Claim, 10 Drawing Sheets



(56)

References Cited

U.S. PATENT DOCUMENTS

2015/0020743 A1 1/2015 Bauer et al.
2015/0047574 A1* 2/2015 Jakubowski A01K 1/0254
119/499
2016/0057969 A1* 3/2016 Kellogg A01K 1/034
119/474
2019/0174710 A1* 6/2019 Jakubowski A01K 1/033
2020/0100452 A1* 4/2020 Jakubowski A01K 1/0125
2020/0315126 A1* 10/2020 Jakubowski A01K 1/0125

OTHER PUBLICATIONS

Petsfit Fabric 5 Level Cat Tree for Multiple Cats, Hide Holes Inside for Climbing, 7 pages, Jan. 1, 2018.
Lexington Circular Obstacle Play-Active Collapsible Travel Pet Cat House, 3 pages, Jan. 1, 2018.
Petsfit Polyester Crate Cover for Wire Crates, 2 pages, Jan. 1, 2018.
Yaheetech 4 Tier Cat Cage/Cat Playpen with 2 Front Doors, & 3 Ramp Ladders & 3 Resting Platforms & Cat Bed & Locking Casters/Ideal for 1-2 Cats/Cage Measures 32Lx22Wx48H inches, 17 pages, Jan. 1, 2018.

* cited by examiner

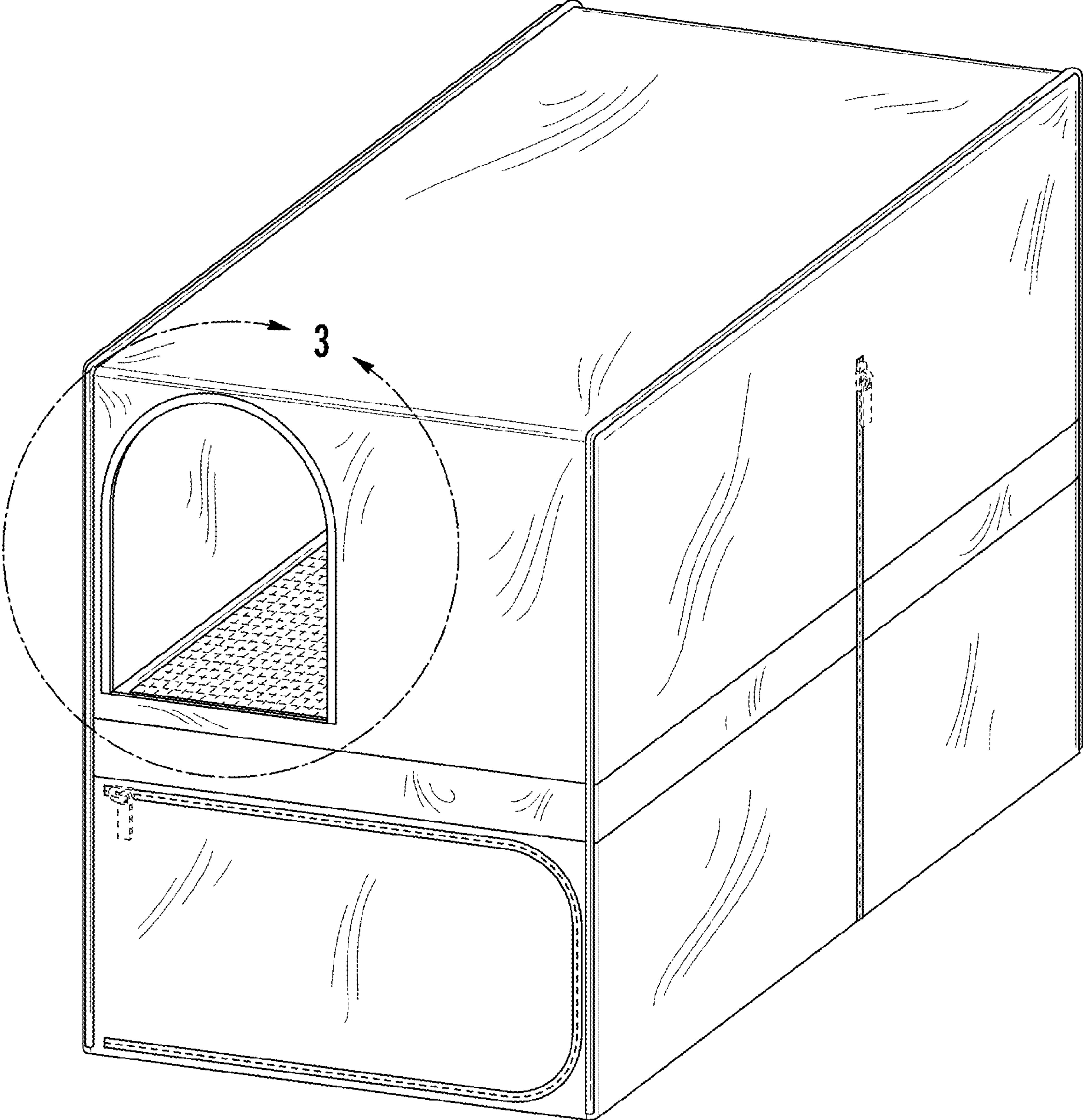


FIG. 1

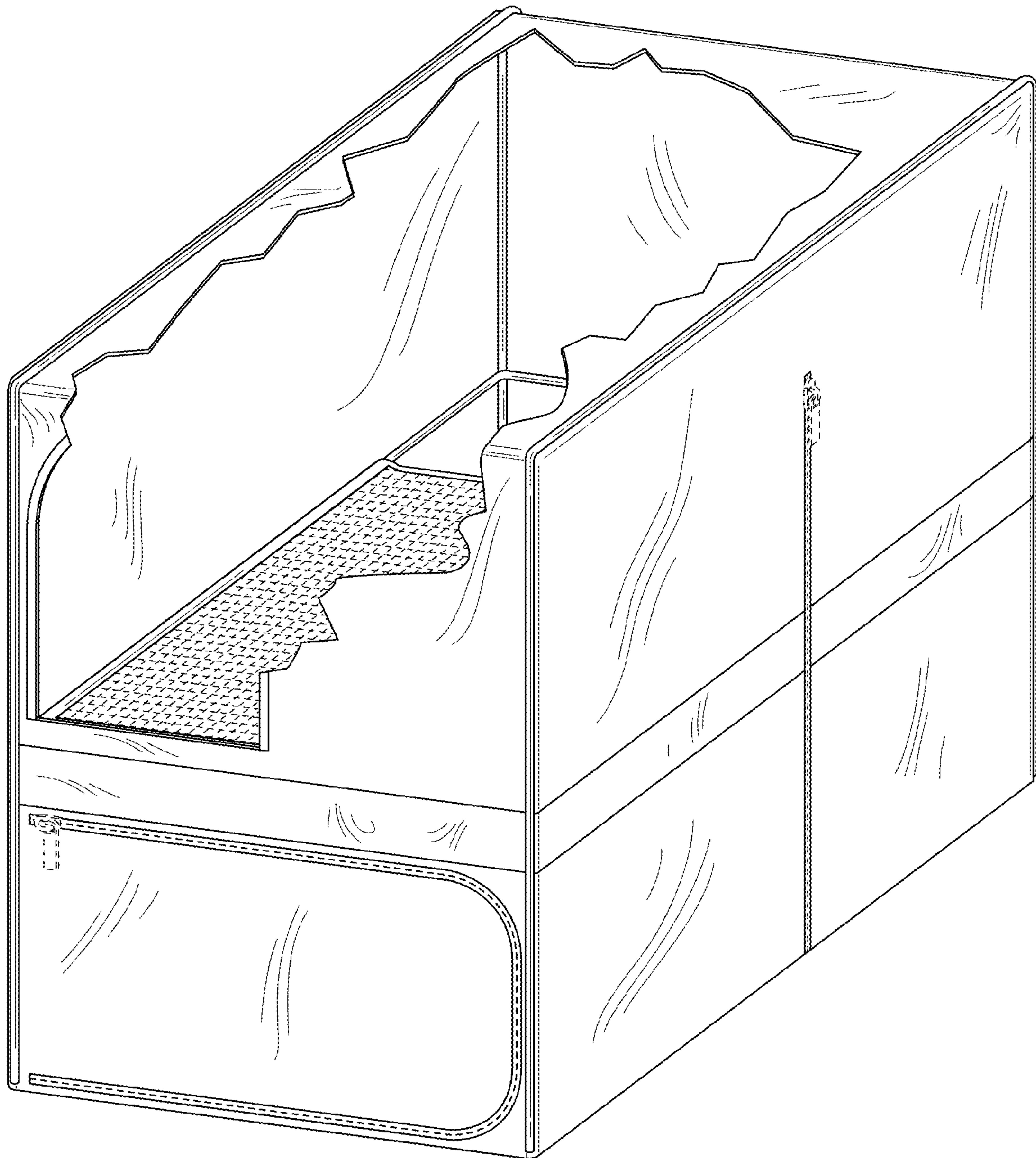


FIG. 2

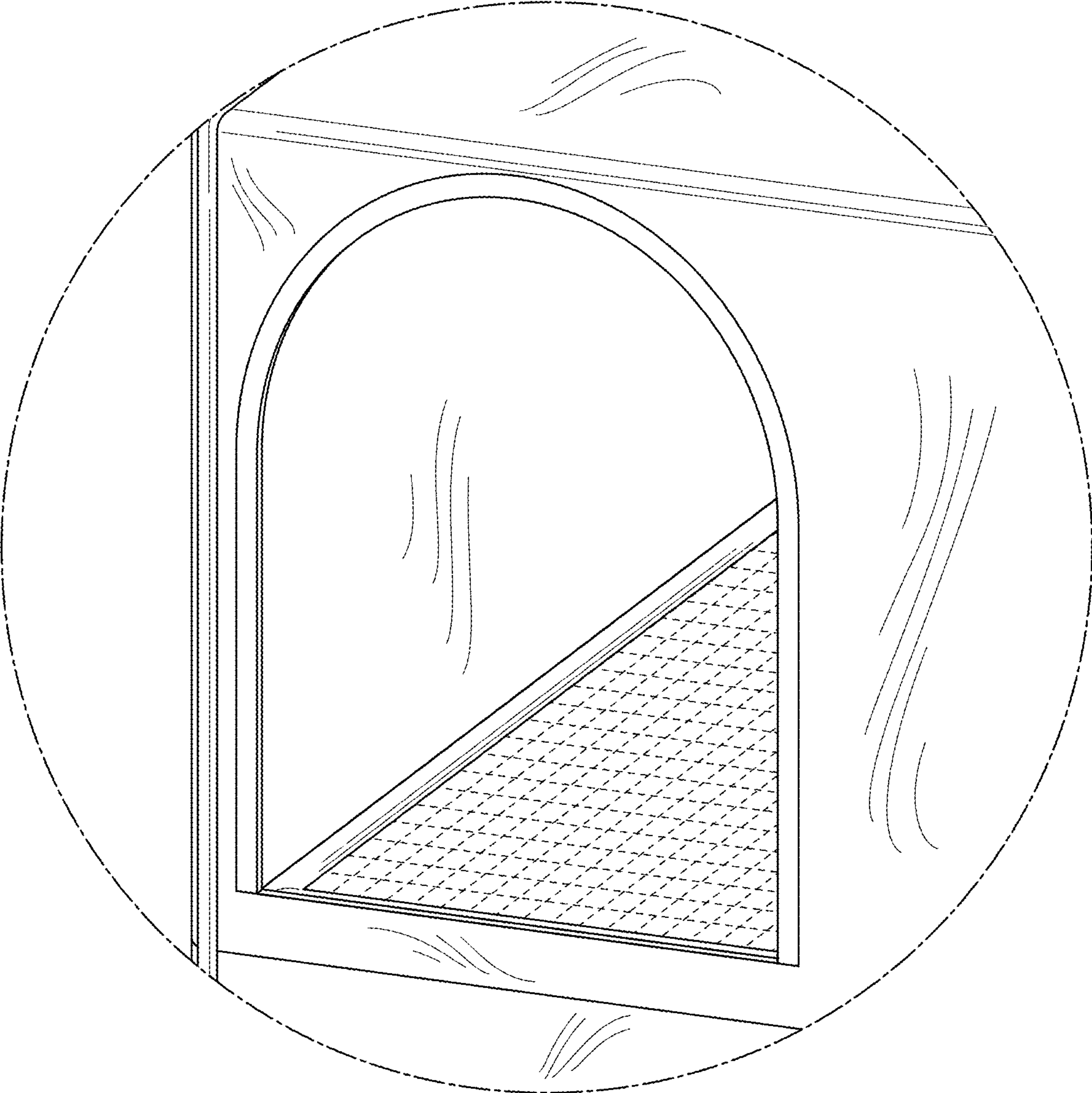


FIG. 3

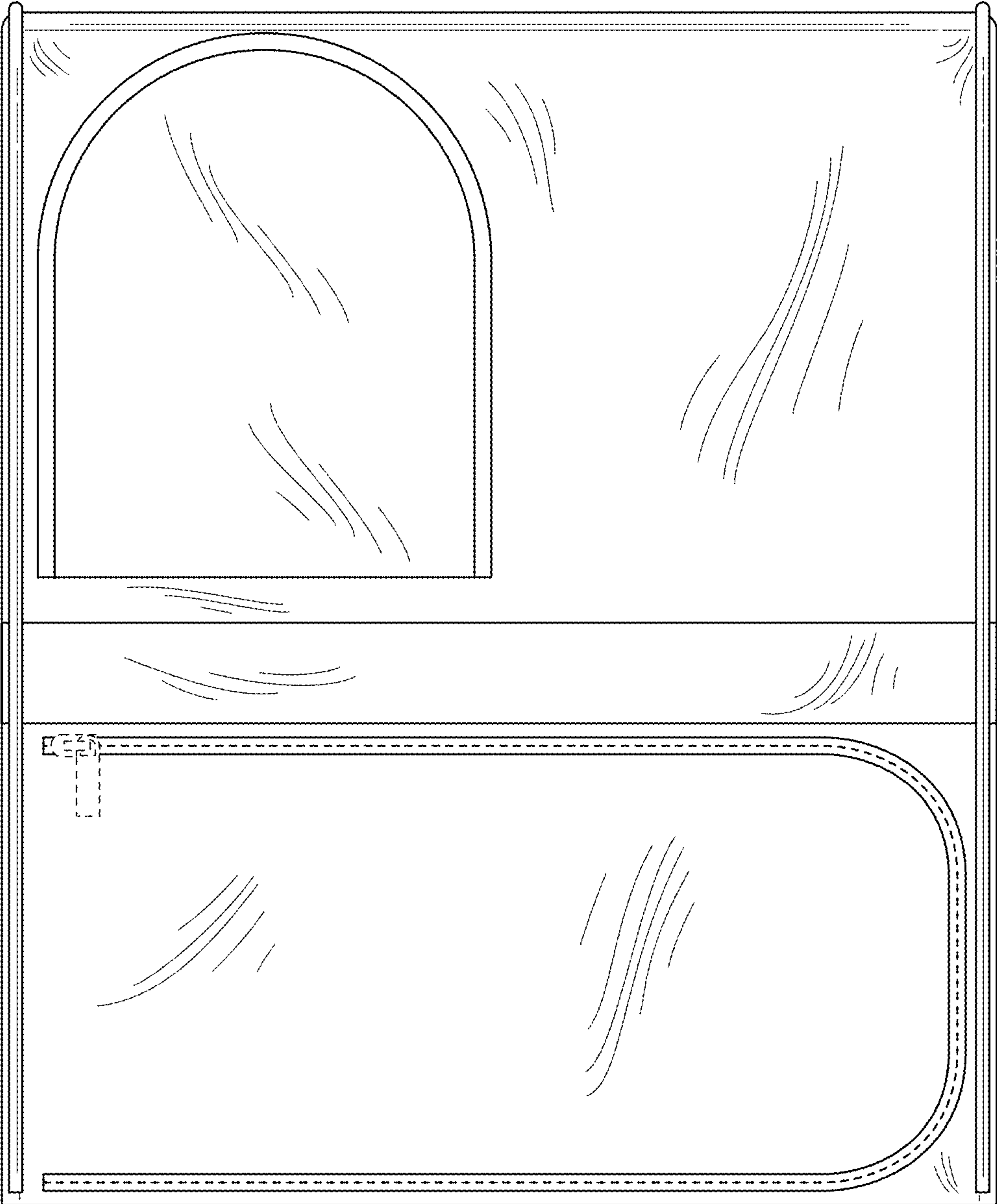


FIG. 4

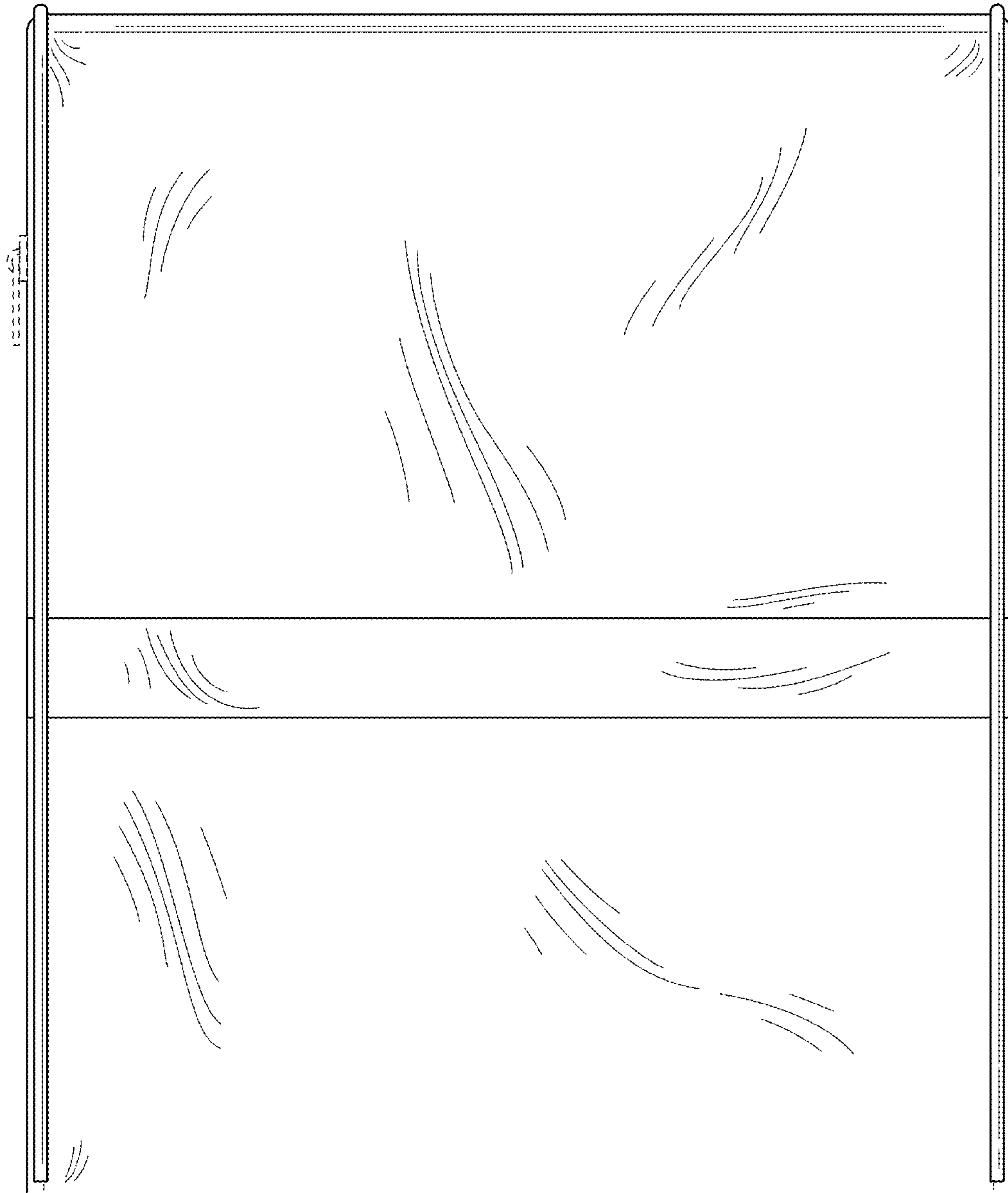


FIG. 5

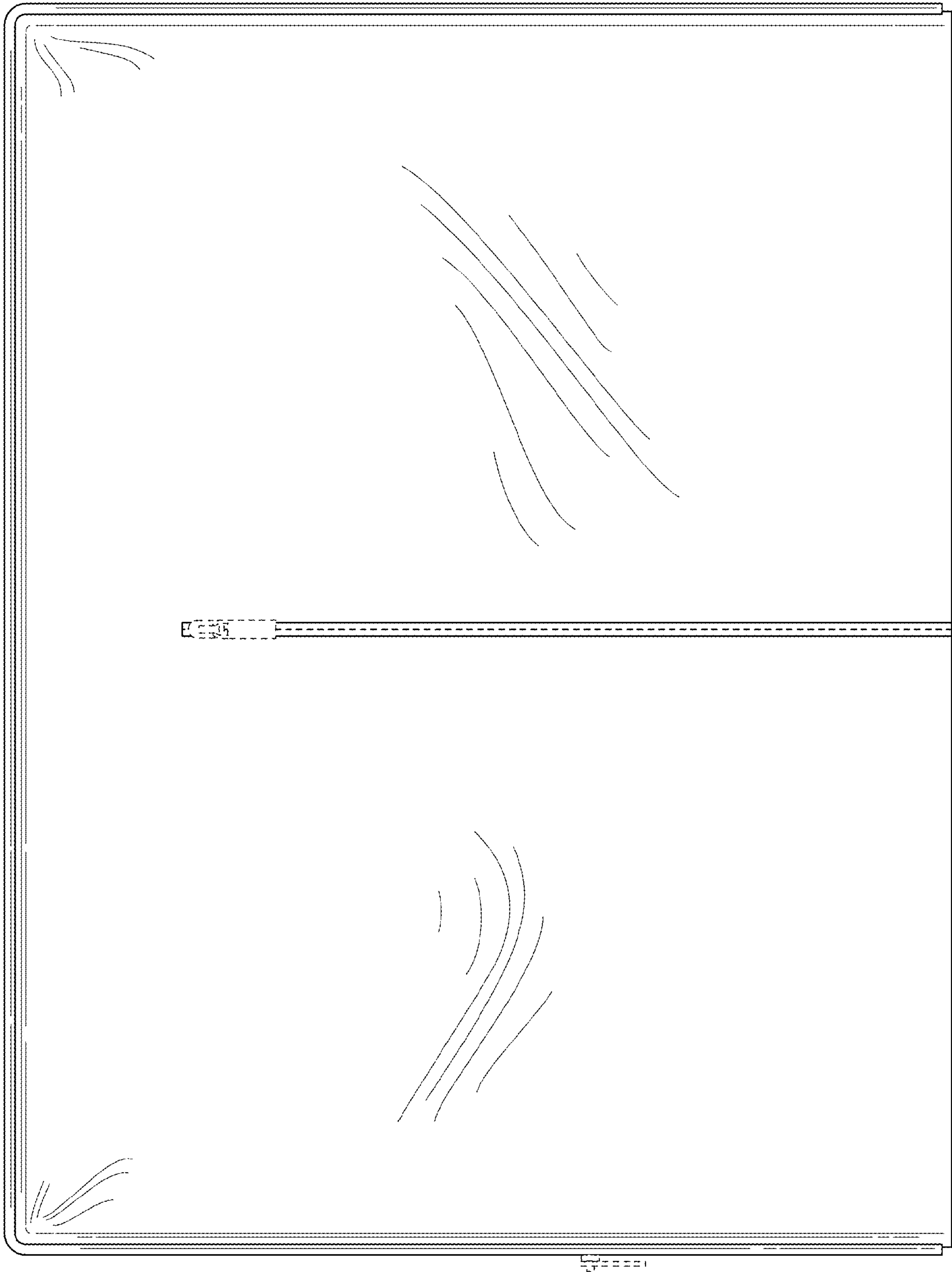


FIG. 6

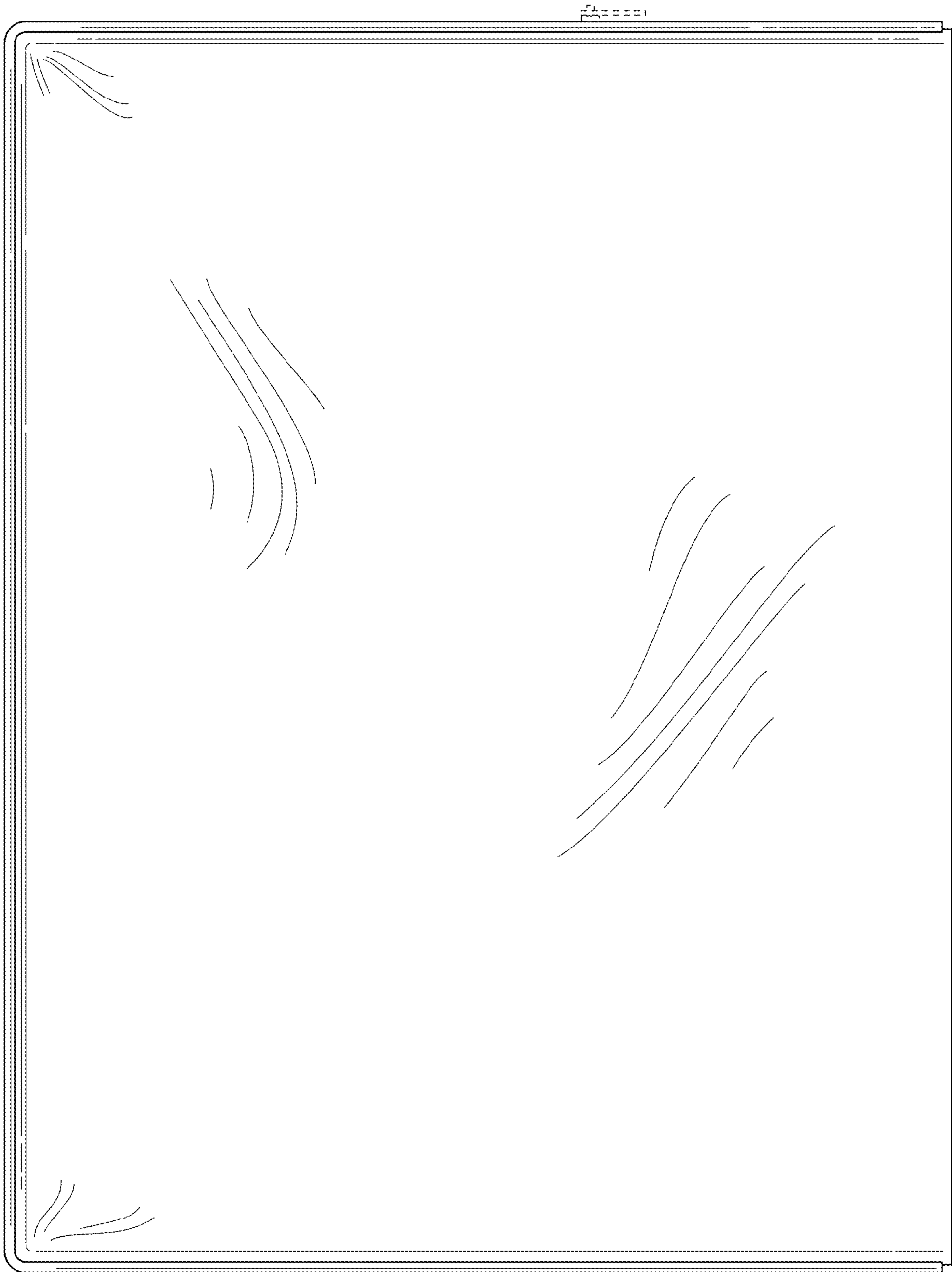


FIG. 7



FIG. 8

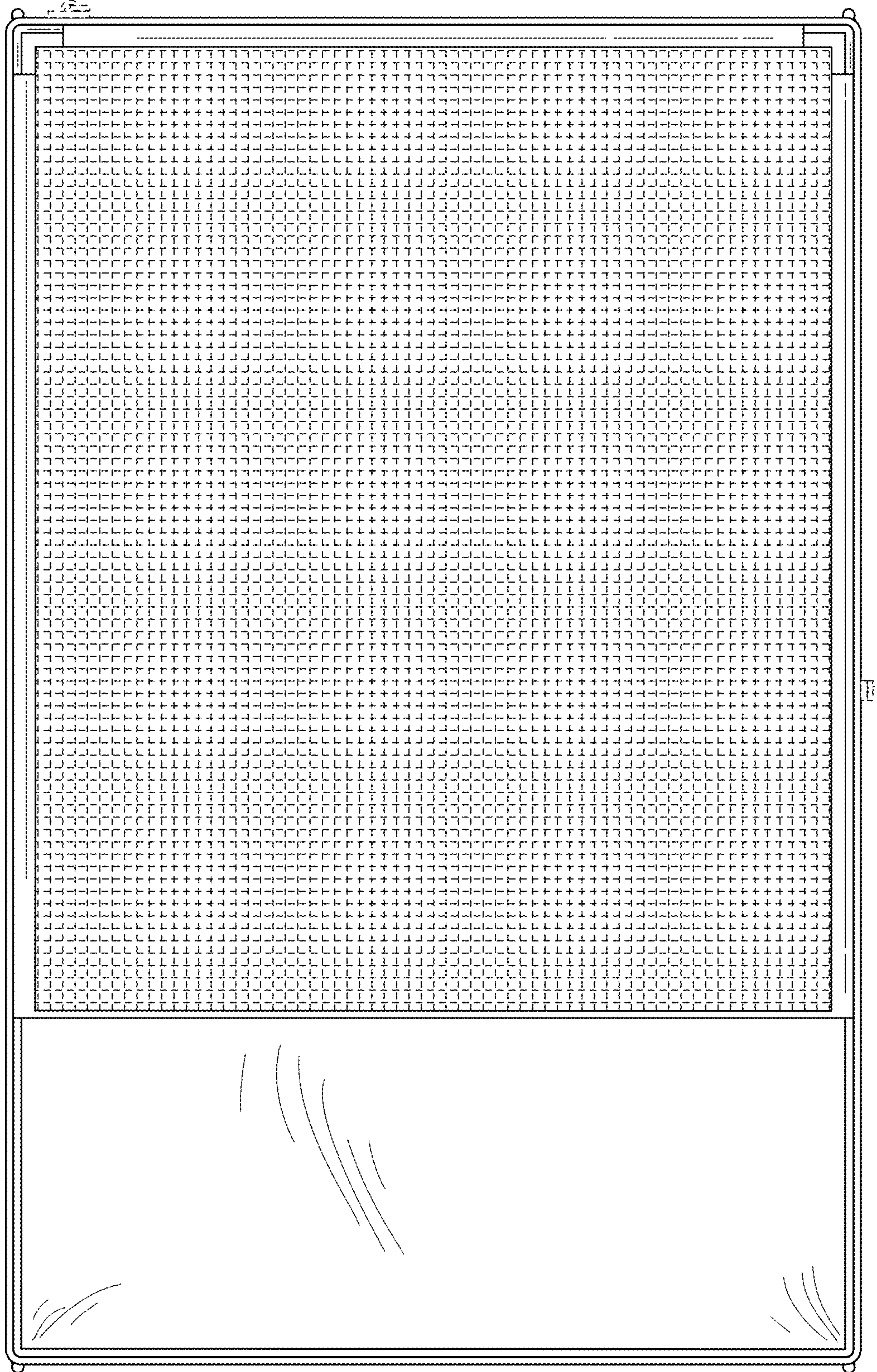


FIG. 9

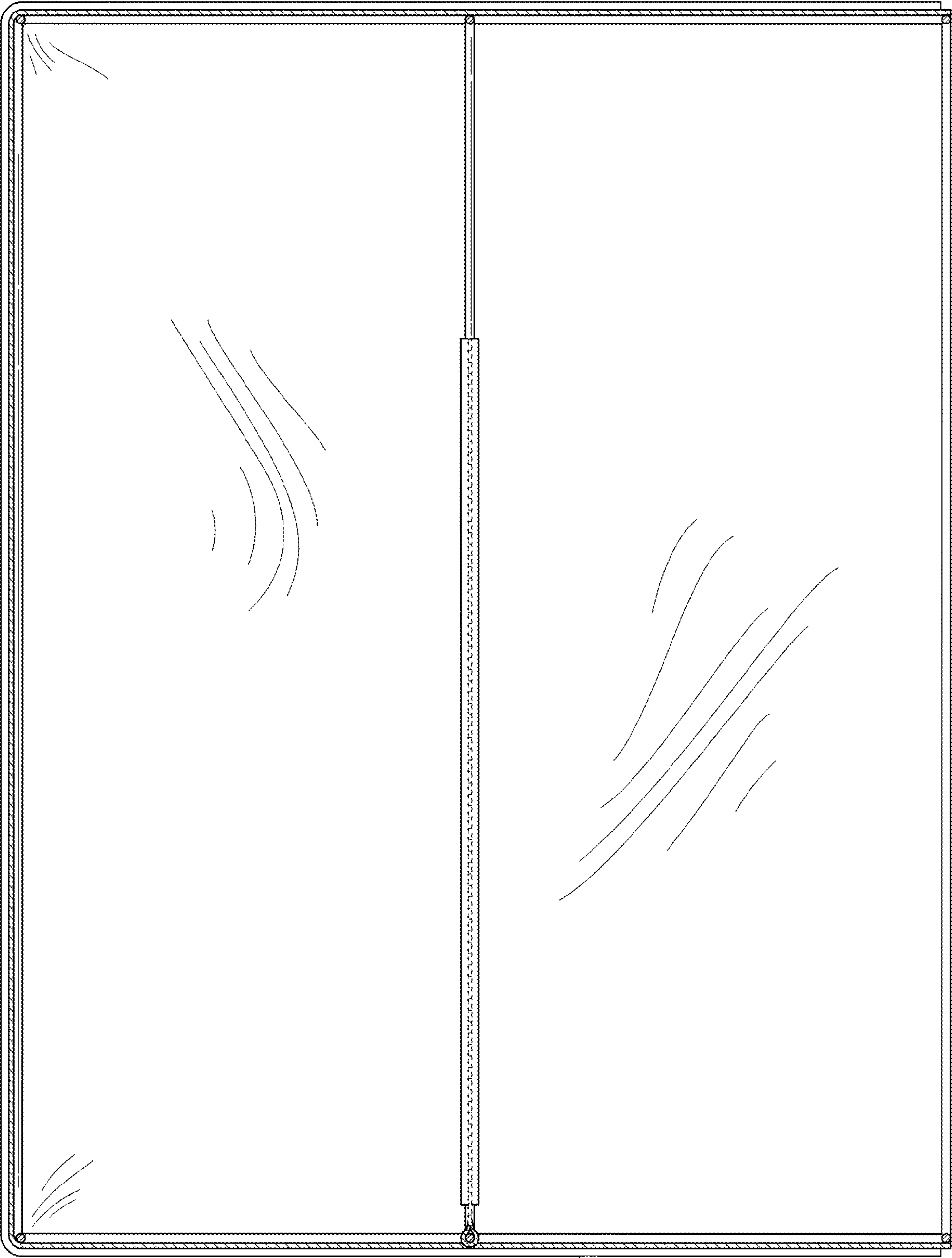


FIG. 10