



US00D939786S

(12) **United States Design Patent**
Stevenson et al.

(10) **Patent No.:** **US D939,786 S**

(45) **Date of Patent:** **** Dec. 28, 2021**

(54) **MOLD FOR AN UNGULATE SHOE**

(71) Applicant: **FORMAHOOF LIMITED**, Waterford (IE)

(72) Inventors: **Robert James Stevenson**, Dubai (AE);
Dimitrios Halabi Nicolaides, Dubai (AE)

(73) Assignee: **FORMAHOOF LIMITED**, Waterford (IE)

(**) Term: **15 Years**

(21) Appl. No.: **29/658,295**

(22) Filed: **Jul. 30, 2018**

(51) **LOC (13) Cl.** **30-01**

(52) **U.S. Cl.**
USPC **D30/147; D30/199**

(58) **Field of Classification Search**
USPC D30/146, 147, 148, 149, 150, 199;
D9/650; D21/387; D24/192; D2/897,
D2/906, 919, 943, 980
CPC A01L 5/00; A01L 3/02
See application file for complete search history.

(56) **References Cited**

U.S. PATENT DOCUMENTS

- 2,041,538 A * 5/1936 Gash A01L 5/00
168/4
- 3,236,310 A * 2/1966 Quick A01L 3/02
168/18
- 4,205,726 A * 6/1980 Spencer A01L 5/00
168/4
- D580,111 S * 11/2008 Lander D30/146
- D629,977 S * 12/2010 Ford D30/146
- D631,616 S * 1/2011 Tilghman A61D 9/00
D30/146
- D709,656 S * 7/2014 Ruetenik D30/149
- D767,830 S * 9/2016 Blair D30/147

- D831,901 S * 10/2018 Ruetenik D30/147
- 2007/0033909 A1 * 2/2007 Lustgarten A01L 7/00
54/82
- 2009/0235621 A1 * 9/2009 Ford A01L 5/00
54/82

(Continued)

FOREIGN PATENT DOCUMENTS

- WO WO-9522252 A1 * 8/1995 A01L 15/00
- WO WO-2006073375 A1 * 7/2006 A01L 5/00

OTHER PUBLICATIONS

“Formahoof: facebook”. Found online Jun. 24, 2019 at facebook.com. Page dated Dec. 12, 2017. Retrieved from <https://www.facebook.com/FormaHoof/photos/a.853569468136510/853569671469823/?type=3>.*

(Continued)

Primary Examiner — Kendra Leslie Hamilton

(74) *Attorney, Agent, or Firm* — Dickinson Wright PLLC; Andrew D. Dorisio

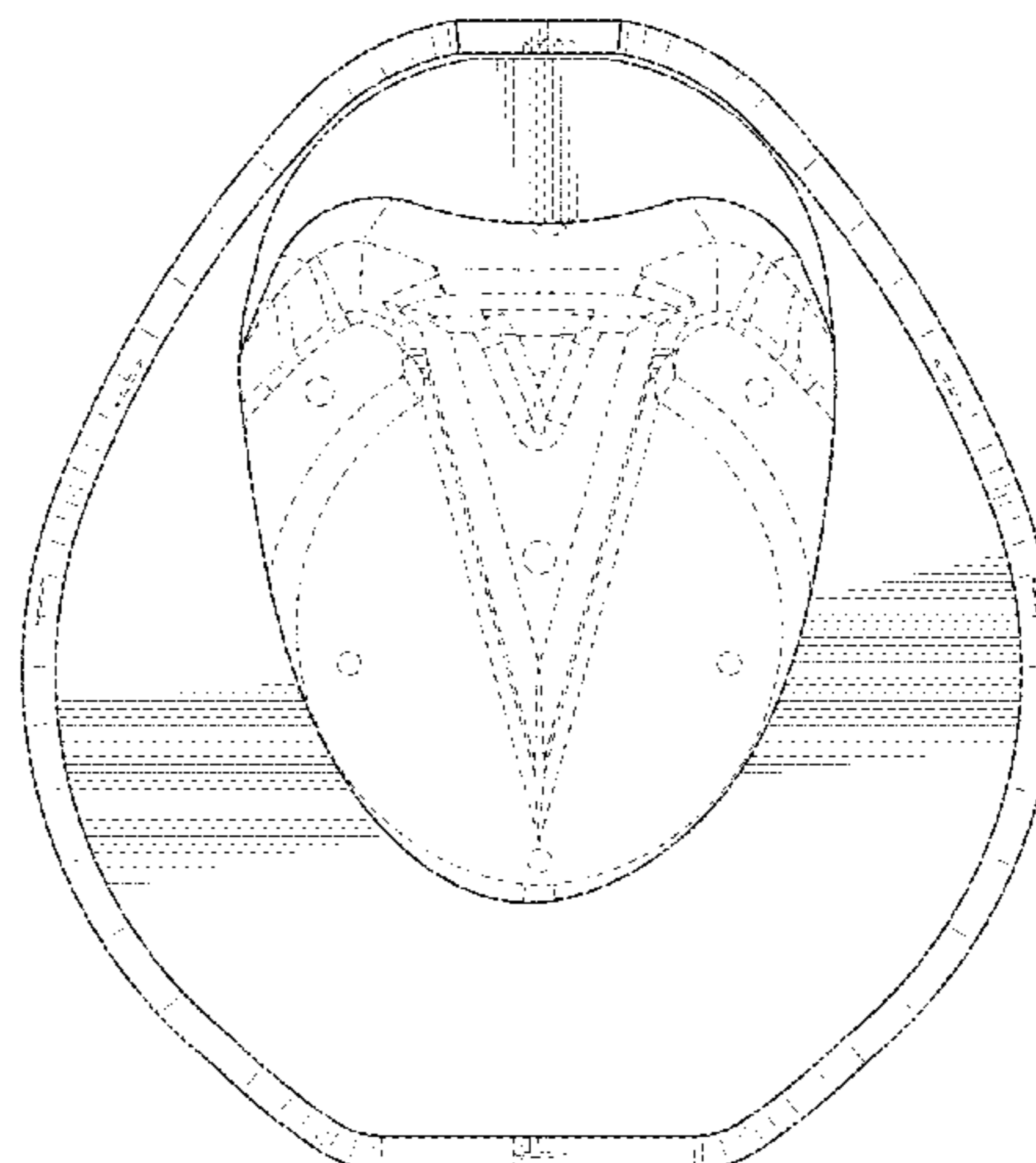
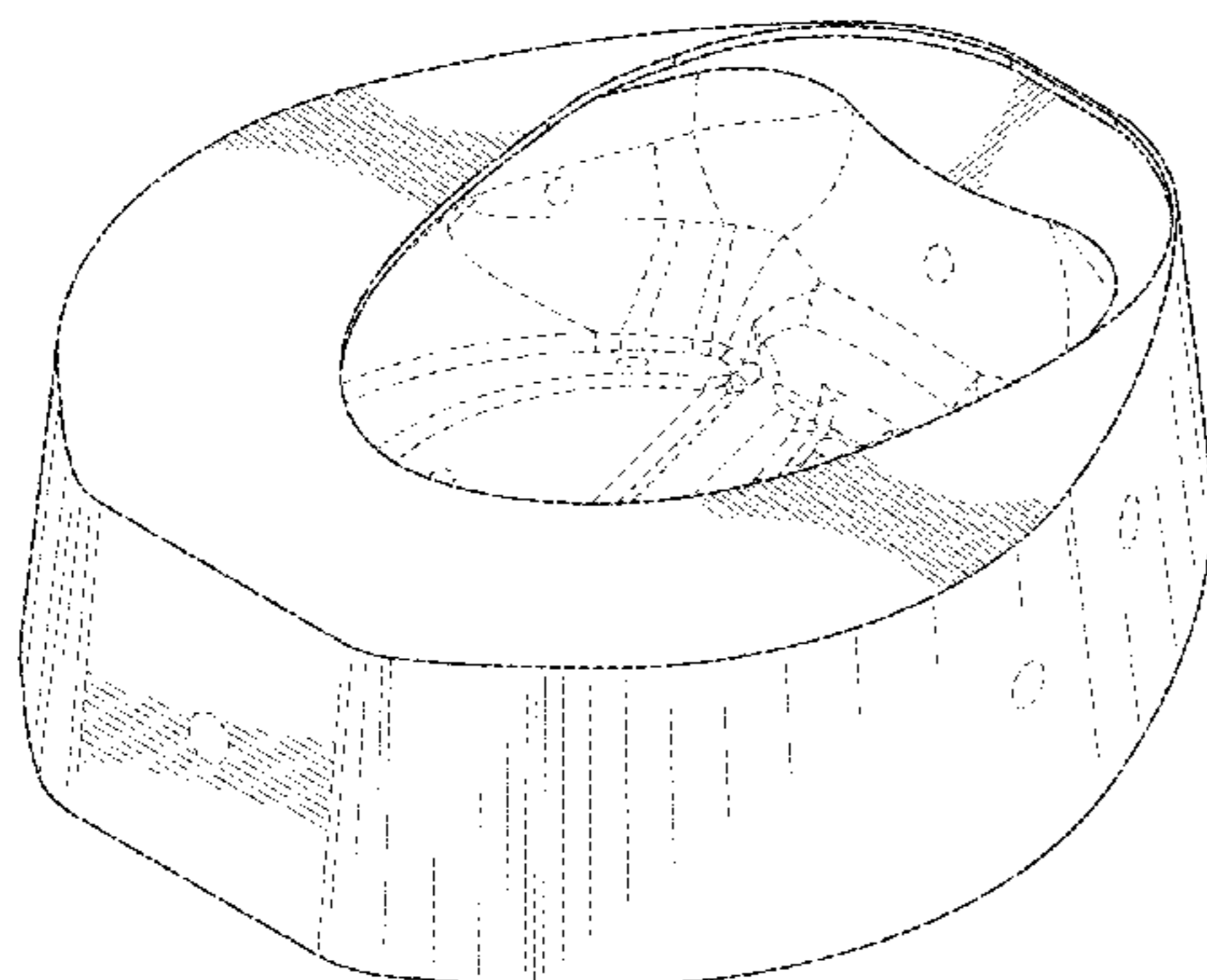
(57) **CLAIM**

The ornamental design for a mold for an ungulate shoe, as shown and described.

DESCRIPTION

FIG. 1 is a top, rear, left perspective view of a mold for an ungulate shoe, showing our design;
FIG. 2 is a bottom, front, right perspective view thereof;
FIG. 3 is a top plan view thereof;
FIG. 4 is a rear elevation view thereof;
FIG. 5 is a front elevation view thereof;
FIG. 6 is a bottom plan view thereof;
FIG. 7 is a left side elevation view thereof;
FIG. 8 is a right side elevation view thereof; and,
FIG. 9 is a left side cross-sectional view of the mold for an ungulate shoe of FIG. 1, taken in the direction of line 9-9 of FIG. 4.
The broken line depictions form no part of the claimed design.

1 Claim, 4 Drawing Sheets



(56)

References Cited

U.S. PATENT DOCUMENTS

2010/0294517 A1* 11/2010 Poupard A01L 7/00
168/12
2017/0258066 A1* 9/2017 Stevenson A01L 3/00

OTHER PUBLICATIONS

“Formahoof: instagram”. Found online Jun. 24, 2019 at instagram.com. Page dated May 10, 2018. Retrieved from <https://www.instagram.com/p/Bim-DhDh79M/>.*

“FormaHoof: Playful Modern Flyer Design for D2M Solutions”. Found online Jun. 8, 2019 at designcrowd.com. Page dated Oct. 10, 2018. Retrieved from <https://www.designcrowd.com/design/19959954>.*

* cited by examiner

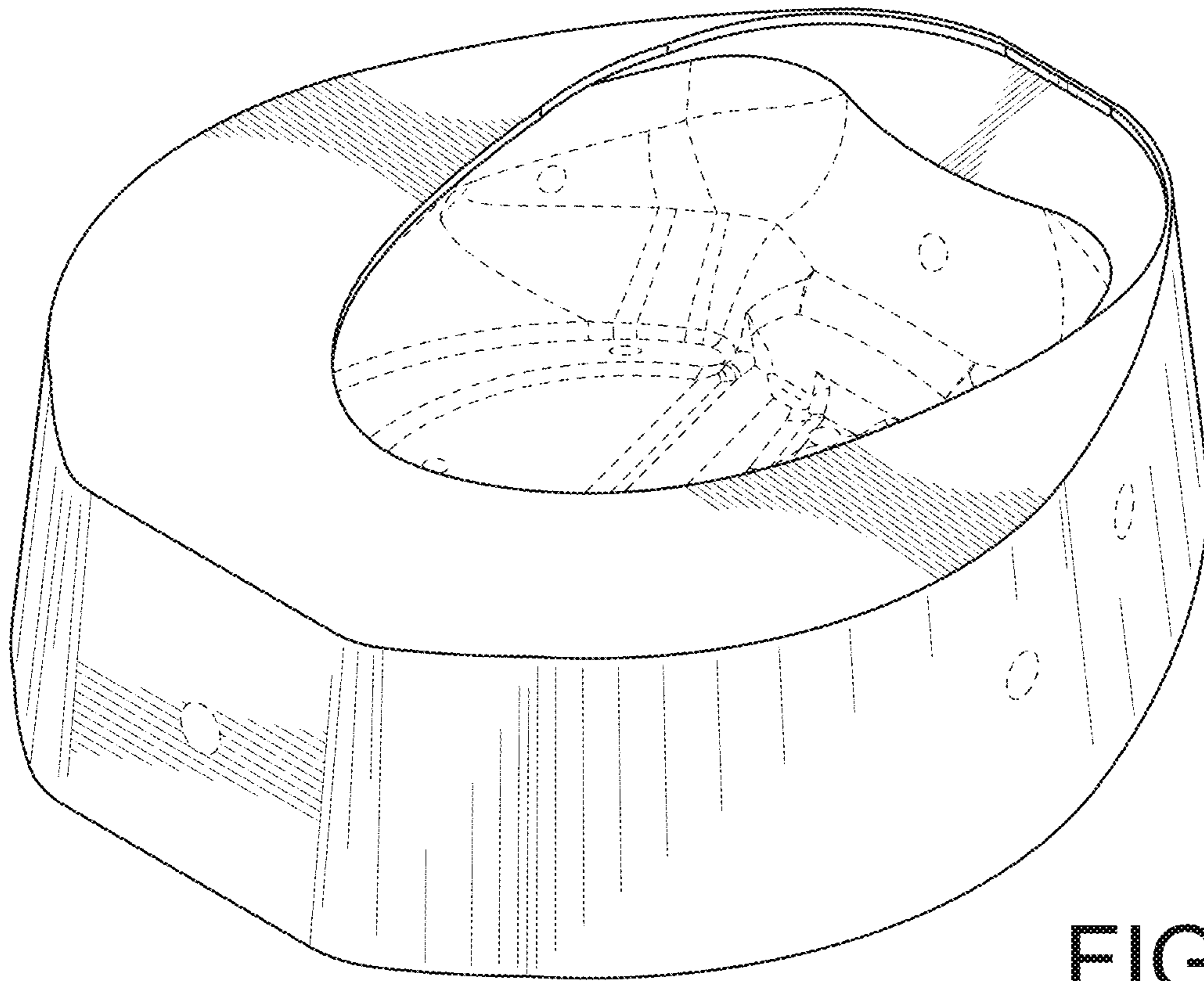


FIG. 1

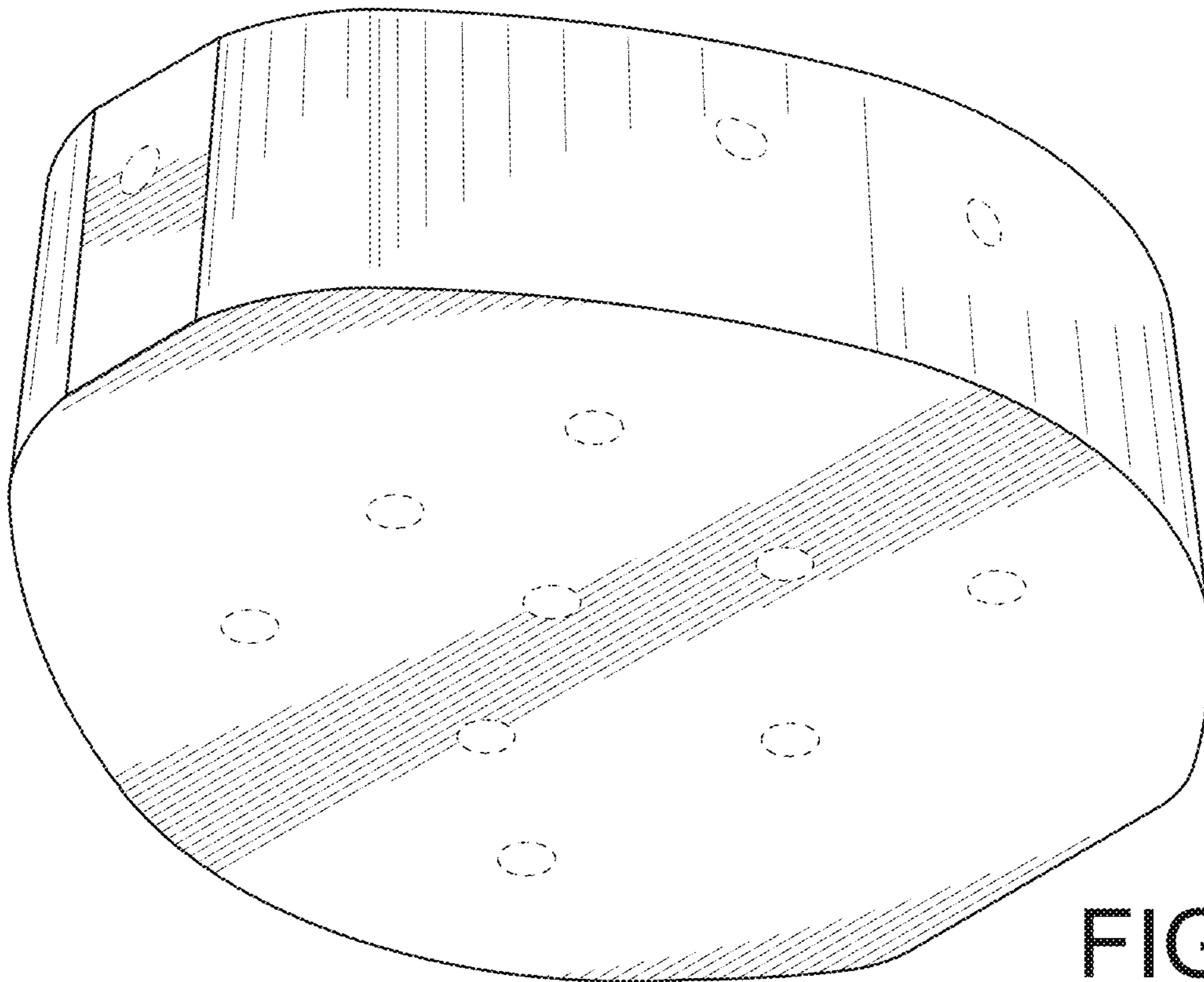


FIG. 2

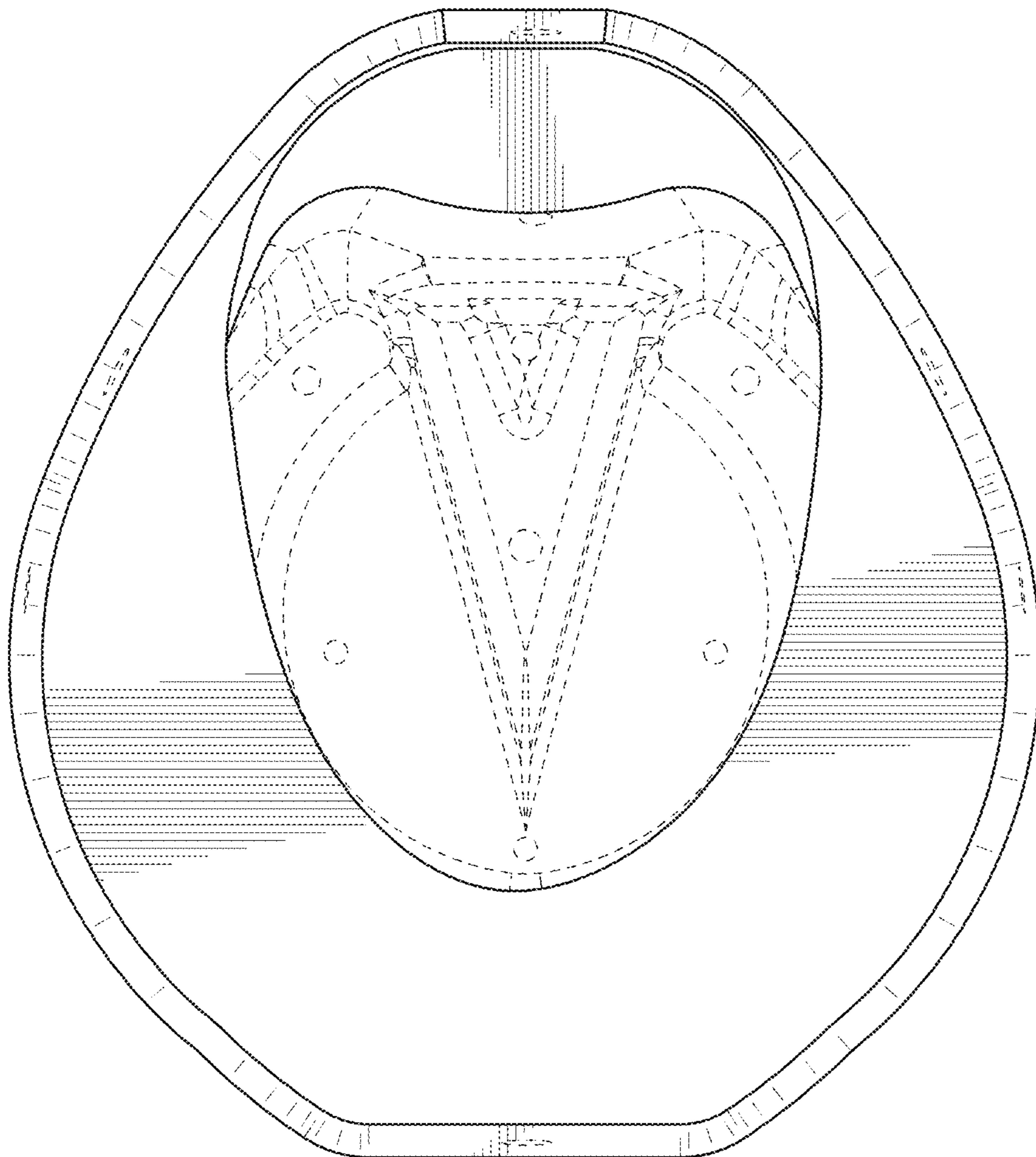


FIG. 3

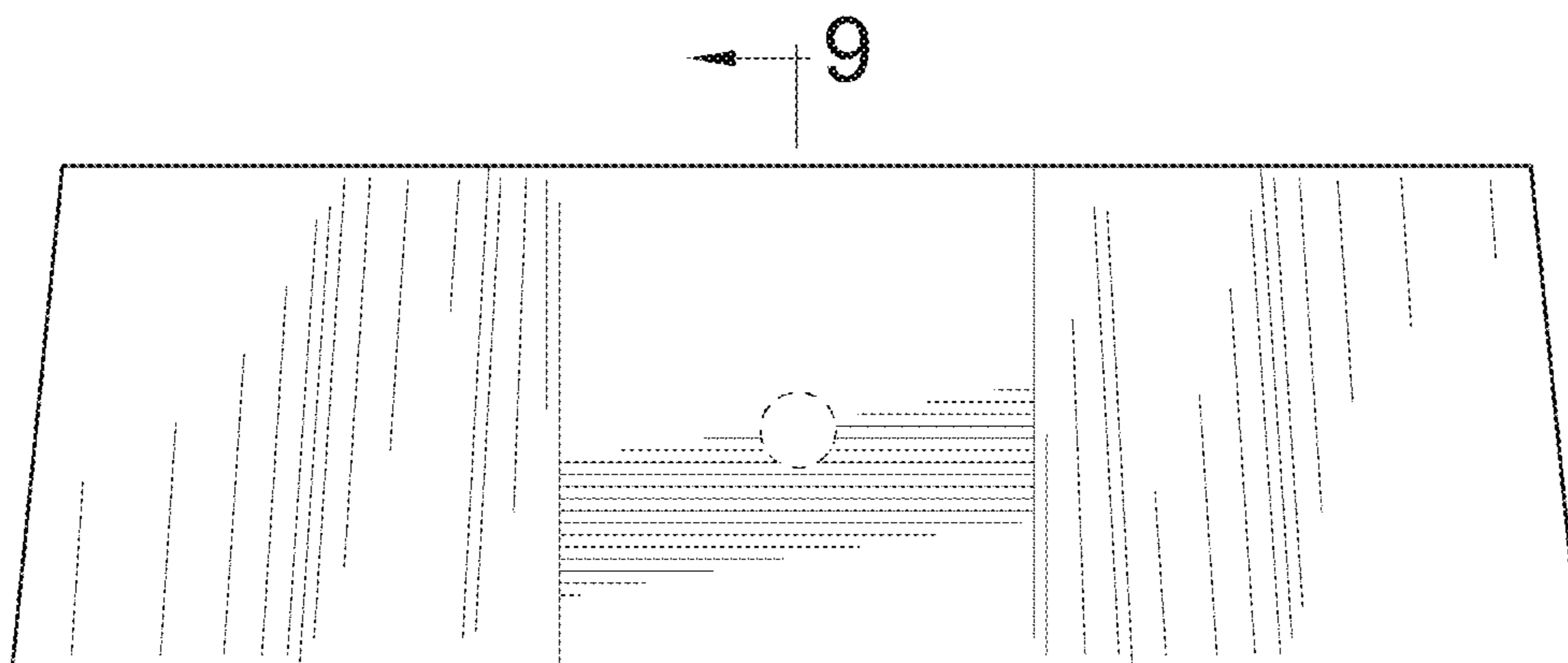


FIG. 4

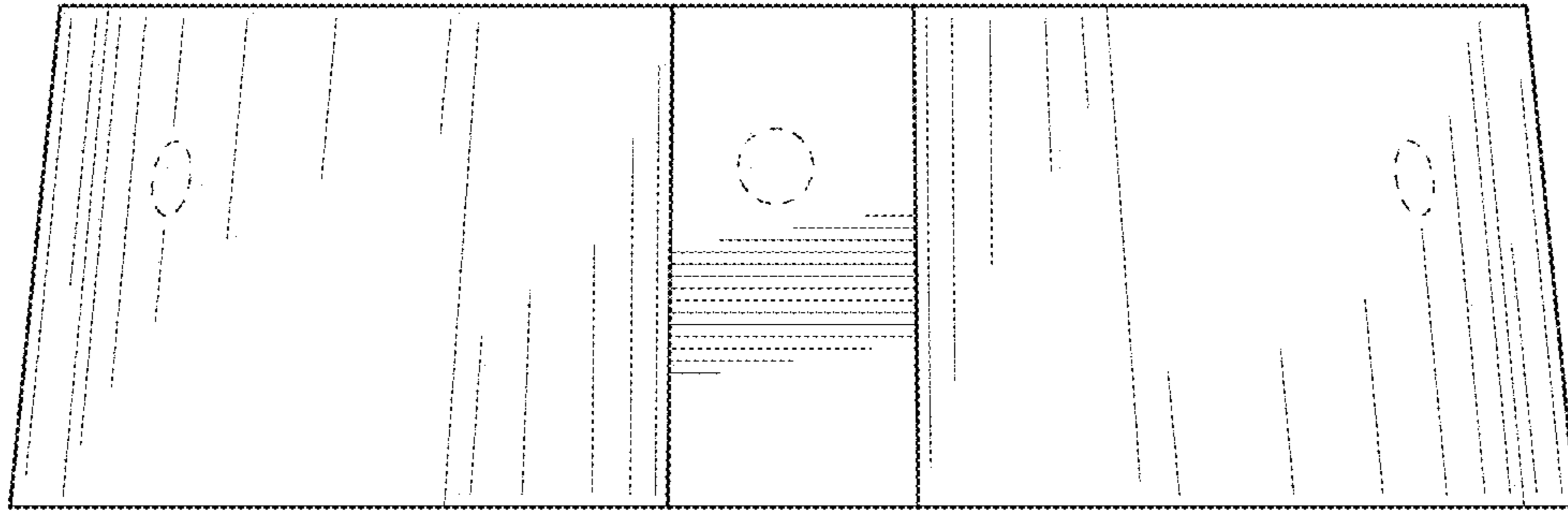


FIG. 5

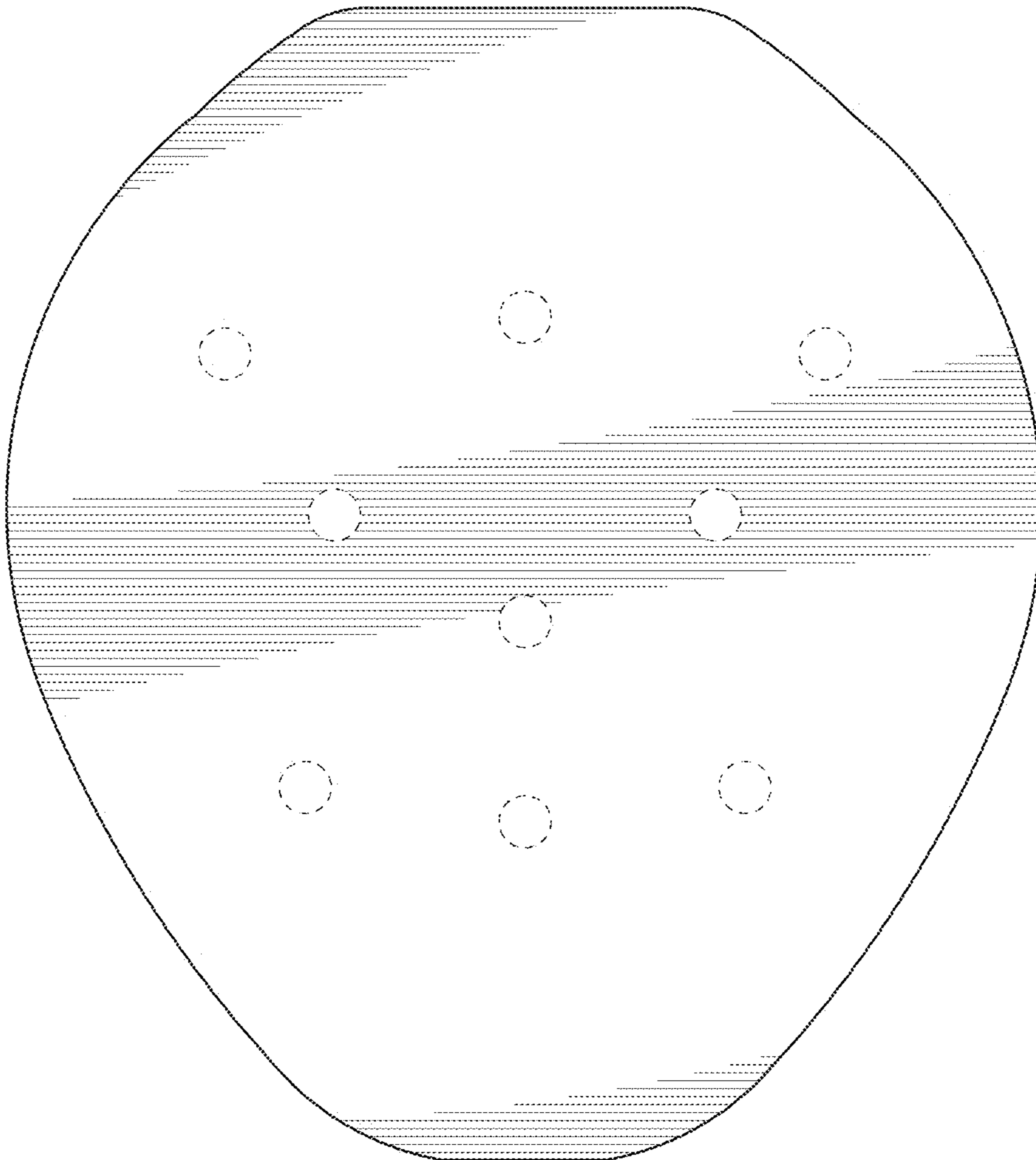


FIG. 6

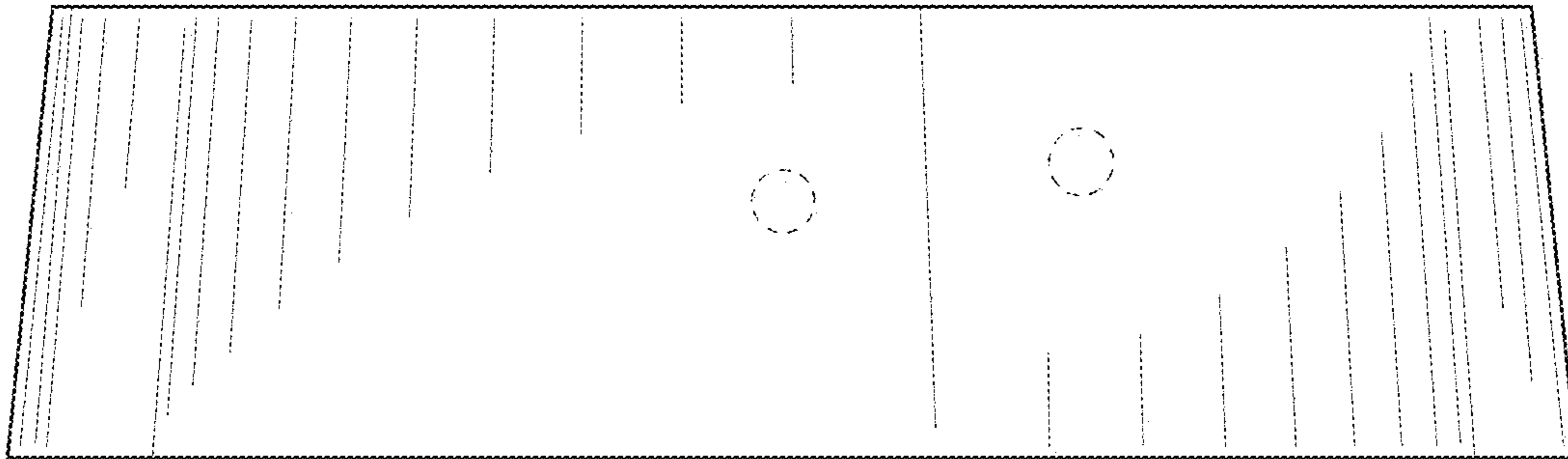


FIG. 7

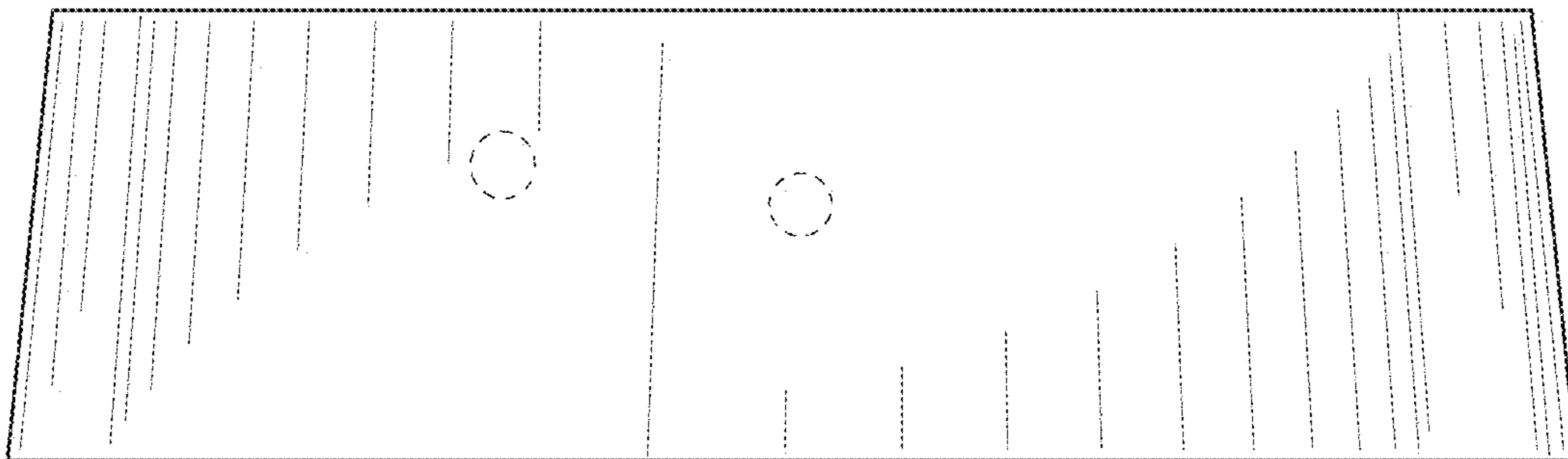


FIG. 8

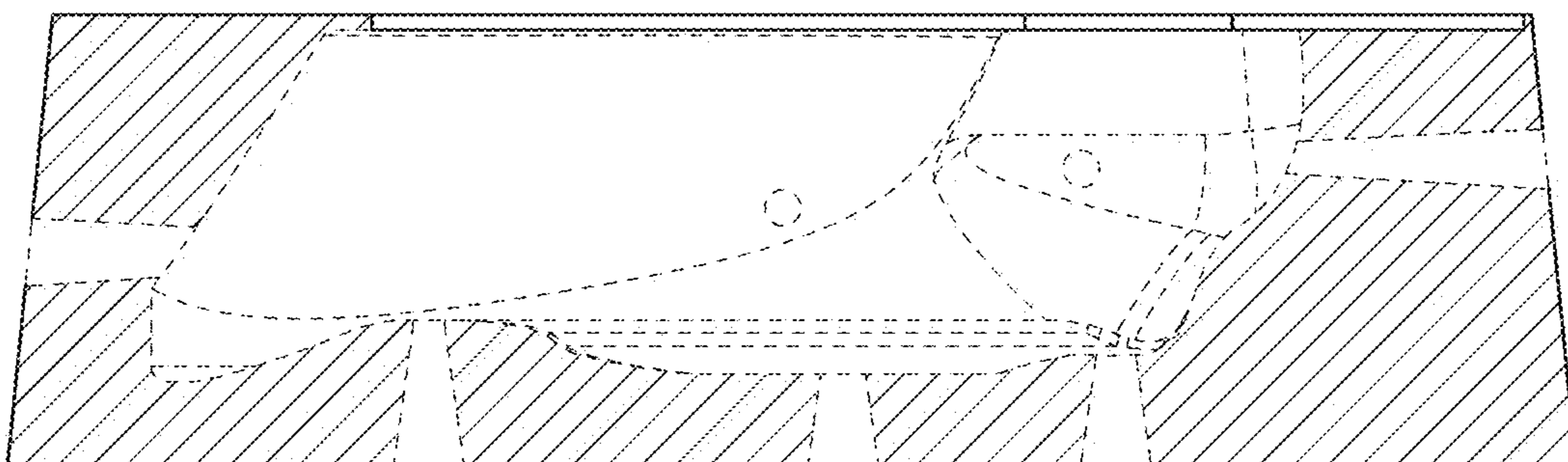


FIG. 9