

US00D939783S

(12) **United States Design Patent** (10) **Patent No.:** **US D939,783 S**
Zou (45) **Date of Patent:** **** Dec. 28, 2021**

(54) **POULTRY BROODER**

D347,304 S * 5/1994 Hellem D30/161
5,400,743 A * 3/1995 Buckley A01K 1/033

(71) Applicant: **YUEQING JANOEL ELECTRONICS CO., LTD.**, Yueqing (CN)

D377,406 S * 1/1997 McKinstray D30/108
(Continued)

(72) Inventor: **Hui Zou**, Yueqing (CN)

FOREIGN PATENT DOCUMENTS

(73) Assignee: **YUEQING JANOEL ELECTRONICS CO., LTD.**, Yueqing (CN)

CN 304823187 * 9/2018
CN 305293960 * 8/2019
MY 1372701010001 * 5/2013

(**) Term: **15 Years**

OTHER PUBLICATIONS

(21) Appl. No.: **29/730,478**

Good Mother Chicken Coop, posted at amazon.com, earliest date reviewed on Apr. 26, 2020, [online], acquired on Sep. 14, 2020, Available on internet. url:https://www.amazon.com/GOOD-MOTHER-Chicken-Halogen-Duckling/dp/B082B3HPYB/ref=cm_cr_ar_p_d_product_top?ie=UTF8 (Year: 2020).*

(22) Filed: **Apr. 4, 2020**

(51) **LOC (13) Cl.** **30-02**

(52) **U.S. Cl.**
USPC **D30/108**

(58) **Field of Classification Search**
USPC D30/108-120; D3/304; D9/430;
D21/834, 837-838

CPC ... A01K 1/00; A01K 1/02; A01K 1/03; A01K 1/033; A01K 1/034; A01K 1/035; A01K 1/0254; A01K 1/011; A01K 1/0107; A01K 1/0125; A01K 1/0121; A01K 31/14; A01K 31/12; A63H 33/008; E04H 15/008; E04H 1/1205

See application file for complete search history.

Primary Examiner — Aula Soroush

(74) *Attorney, Agent, or Firm* — Law Offices of Steven W. Weinrieb

(56) **References Cited**

U.S. PATENT DOCUMENTS

4,391,223 A * 7/1983 Holland A01K 1/033
119/499
D272,383 S 1/1984 Johnson
5,046,457 A * 9/1991 Ashcroft A01K 1/0125
119/168
5,115,762 A * 5/1992 Long A01K 1/033
119/499
D335,904 S * 5/1993 Krebs D21/511
D340,551 S * 10/1993 Mitchell, Sr. D30/109
D342,349 S 12/1993 Scheppard

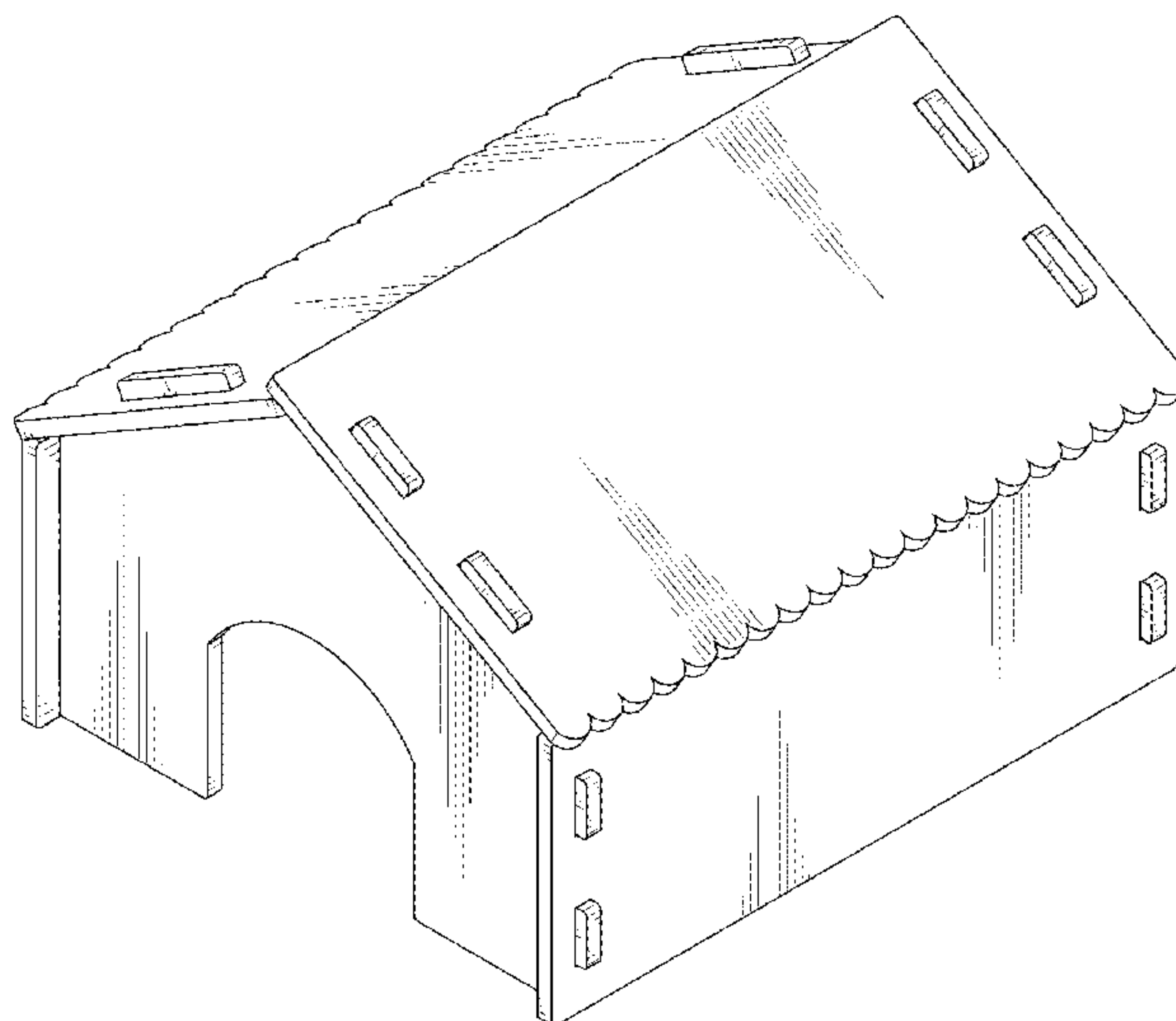
(57) **CLAIM**

The ornamental design for a poultry brooder, as shown and described.

DESCRIPTION

FIG. 1 is a front, right side, top perspective view of a poultry brooder showing my new design;
FIG. 2 is a rear, left side, bottom side bottom perspective view;
FIG. 3 is a front elevational view thereof;
FIG. 4 is a rear elevational view thereof;
FIG. 5 is a left side elevational view thereof;
FIG. 6 is a right side elevational view thereof;
FIG. 7 is a top plan view thereof; and,
FIG. 8 is a bottom plan view thereof.
The broken lines depict portions of the poultry brooder that from no part of the claimed design.

1 Claim, 8 Drawing Sheets



(56)

References Cited

U.S. PATENT DOCUMENTS

D382,633	S	8/1997	Clemmer	
D396,331	S	7/1998	Niemetz	
D396,734	S *	8/1998	Koneke	D30/108
D455,238	S *	4/2002	Small	D30/108
D622,912	S *	8/2010	Kanigchulatar	D30/161
D626,699	S	11/2010	Tang	
D650,534	S	12/2011	Bormann	
D660,524	S *	5/2012	Wedding	D30/161
D699,793	S *	2/2014	Gomez	D21/511
D705,997	S	5/2014	Gil Duarte Pereira	
8,863,696	B1 *	10/2014	Lee	A01K 1/0356 119/482
D722,209	S	2/2015	Carlin, Jr.	
D725,314	S	3/2015	Clark, Jr.	
D746,001	S *	12/2015	Helminen	D30/112
D758,671	S	6/2016	Carlin, Jr.	
D760,446	S *	6/2016	Katers	D30/109
D765,921	S *	9/2016	Takaoka	D30/110
D792,675	S *	7/2017	Block	D1/106
D814,121	S *	3/2018	Kim	D30/108
D855,898	S *	8/2019	Koskey, Jr.	D30/108
D867,716	S *	11/2019	Block	D1/106
2018/0103614	A1 *	4/2018	Tsai	H04N 5/76

* cited by examiner

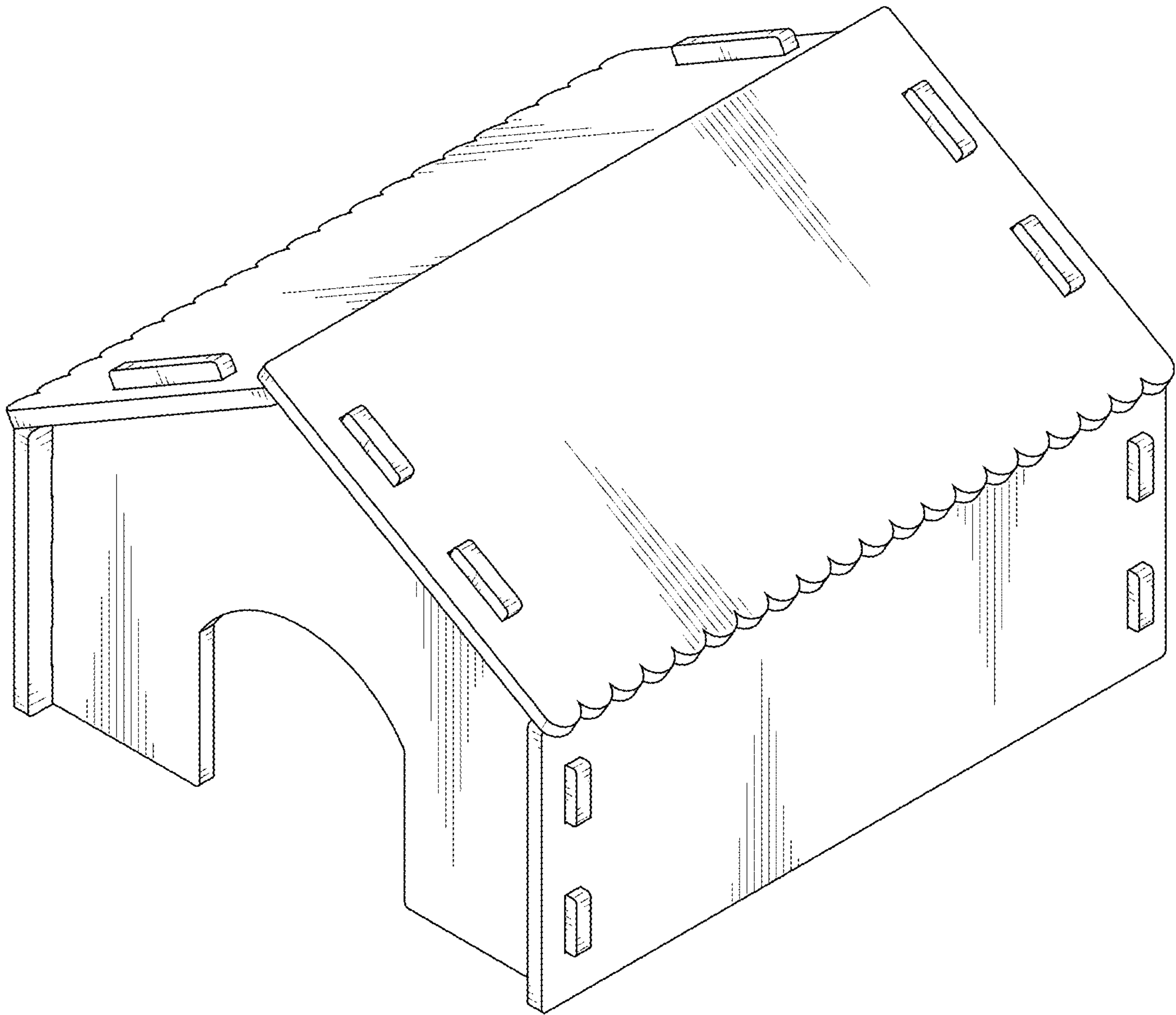


FIG. 1

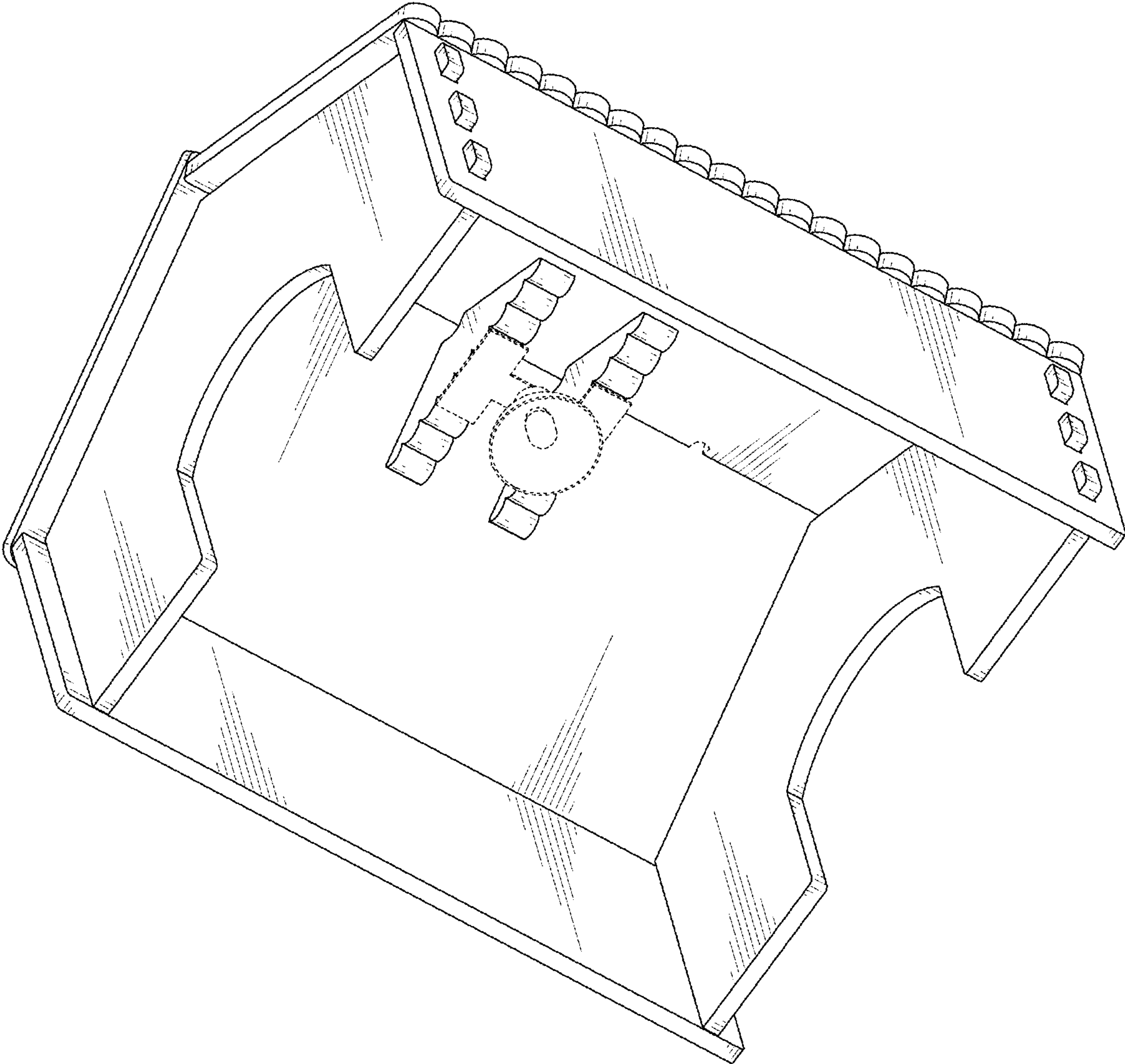


FIG. 2

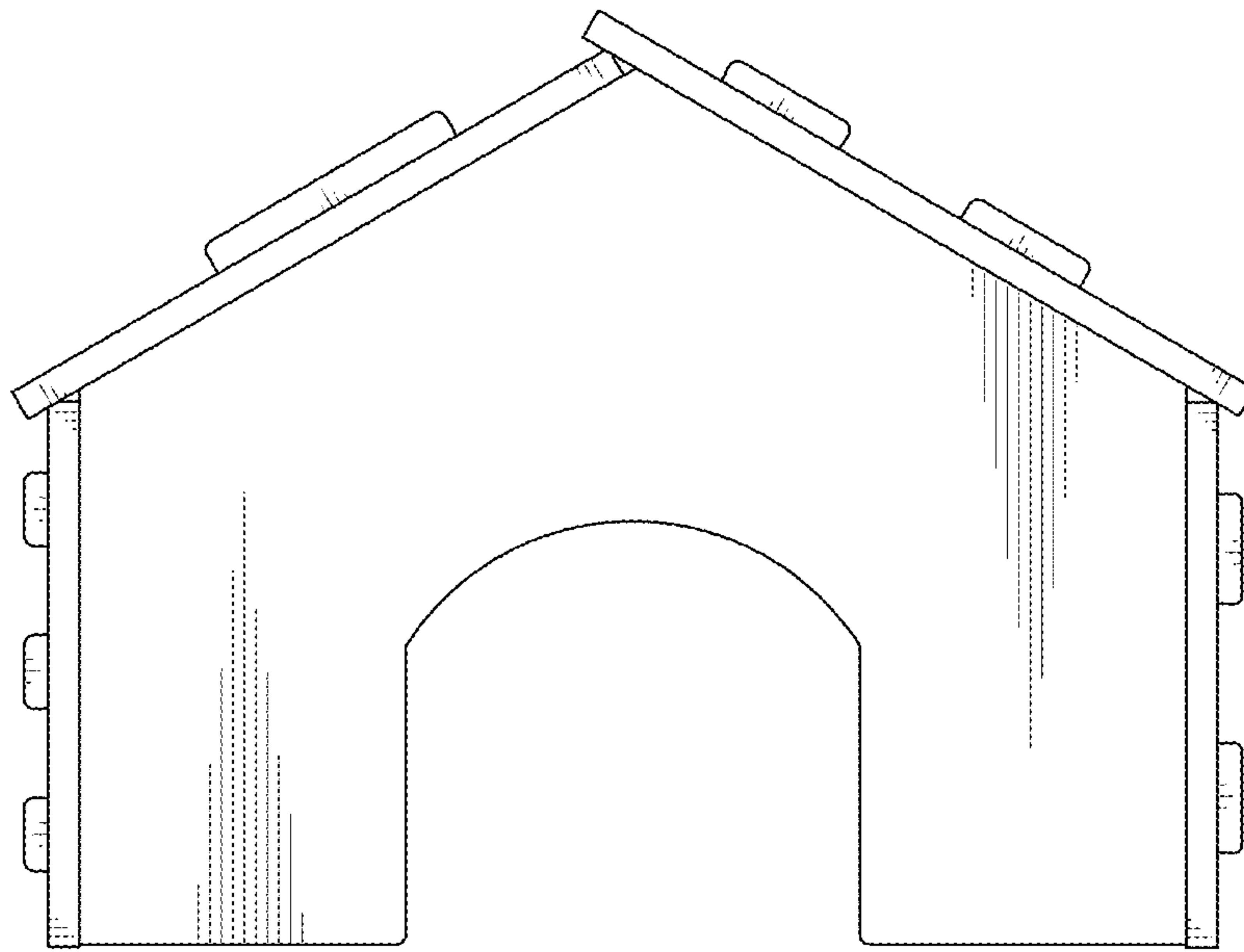


FIG. 3

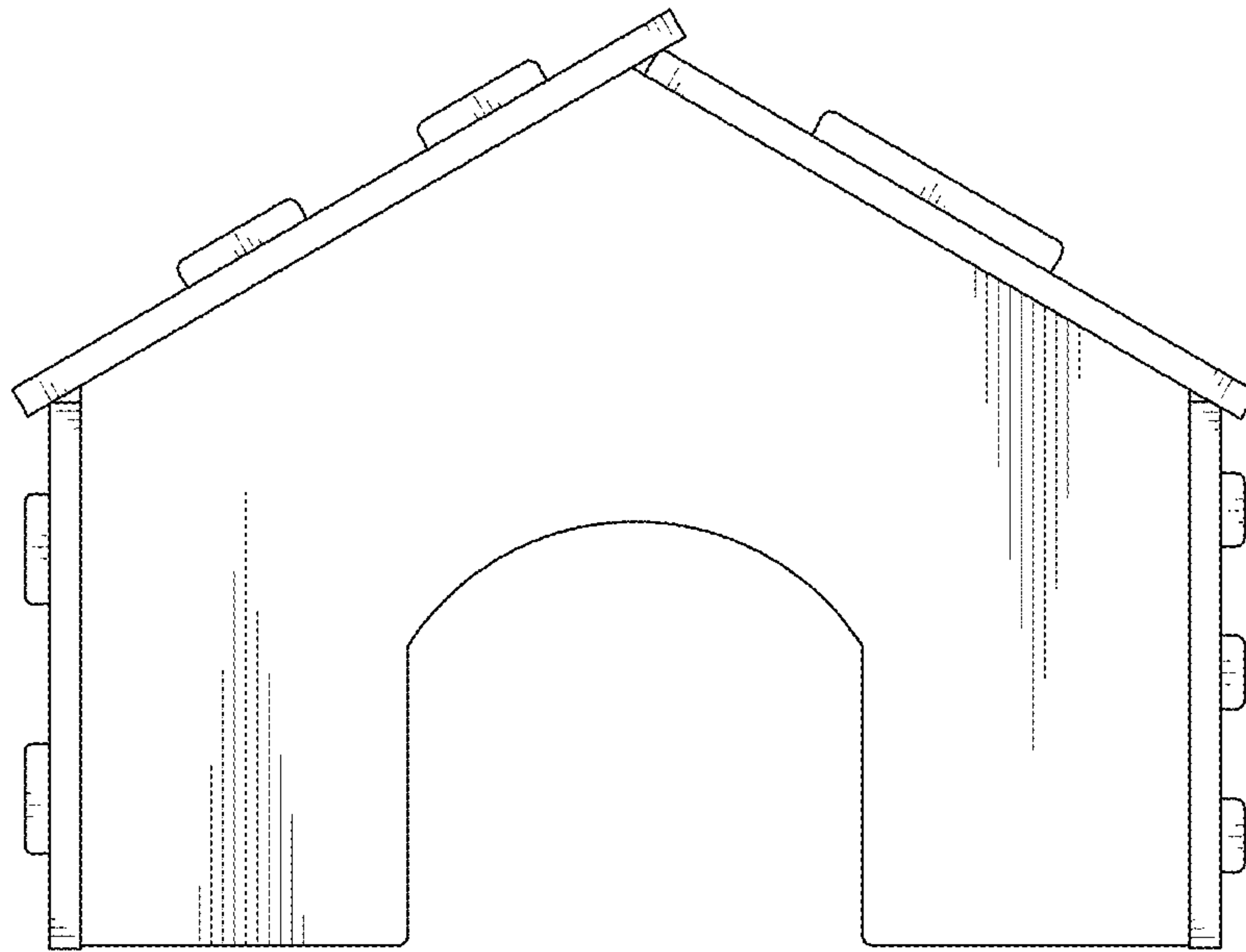


FIG. 4

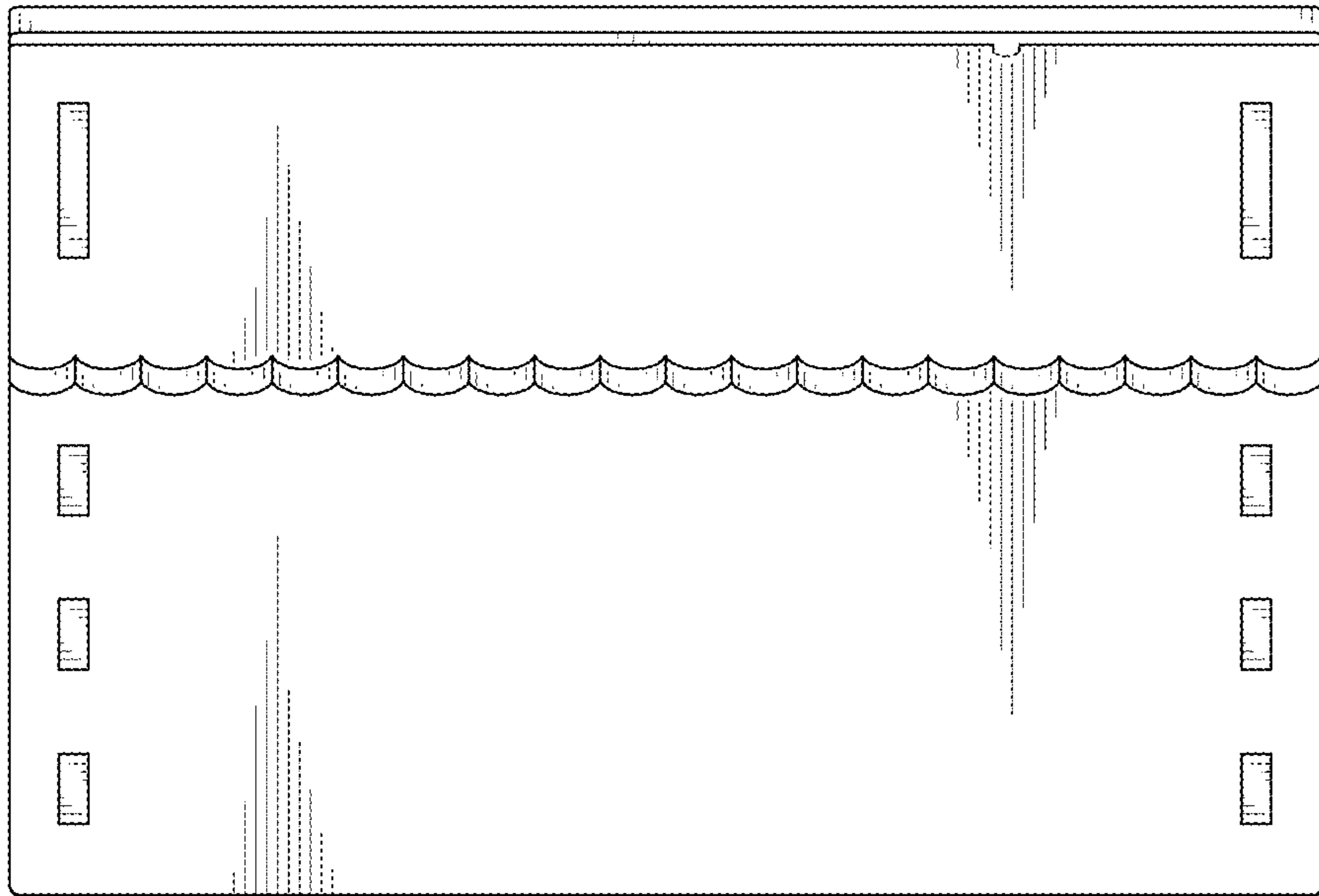


FIG. 5

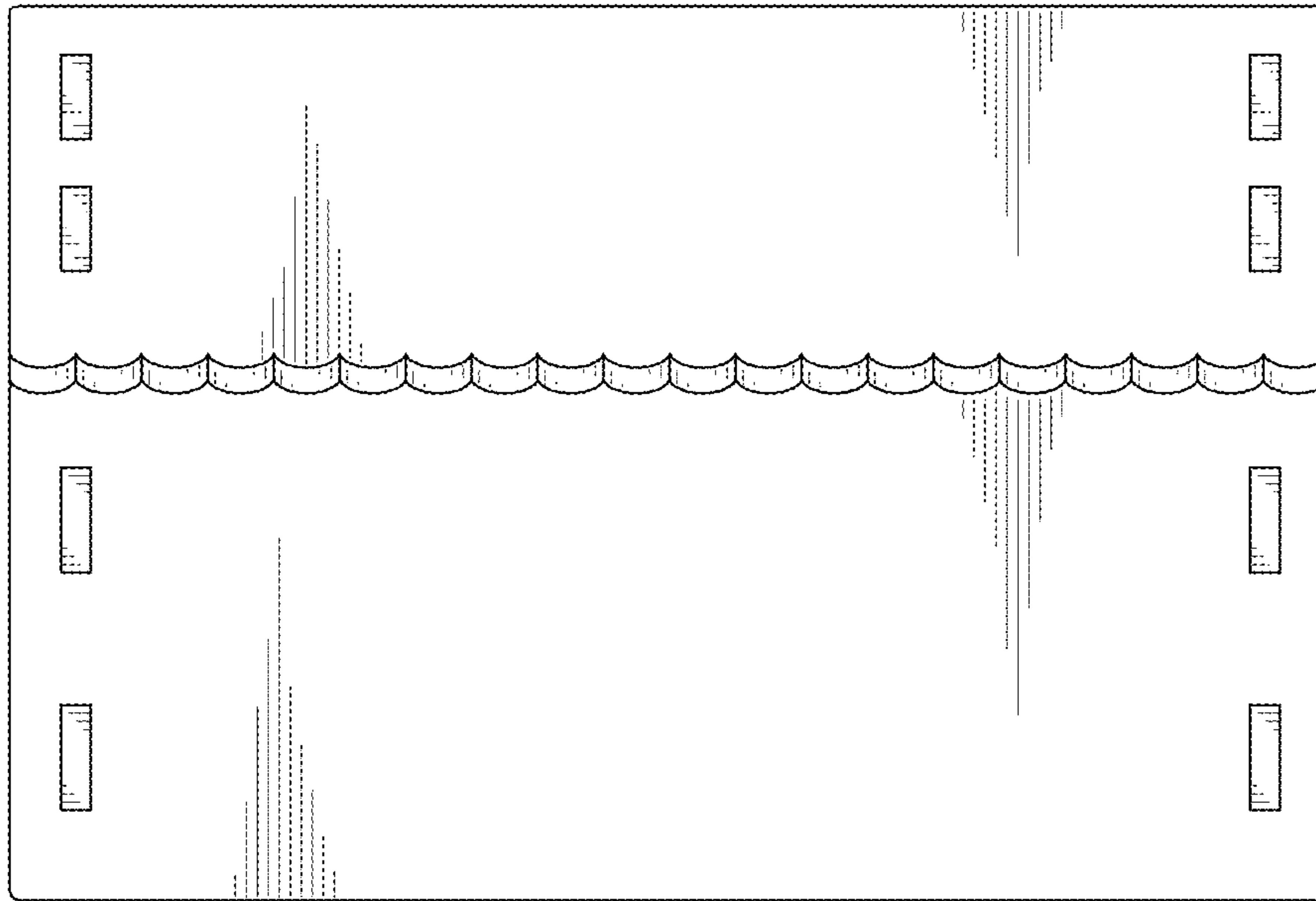


FIG. 6

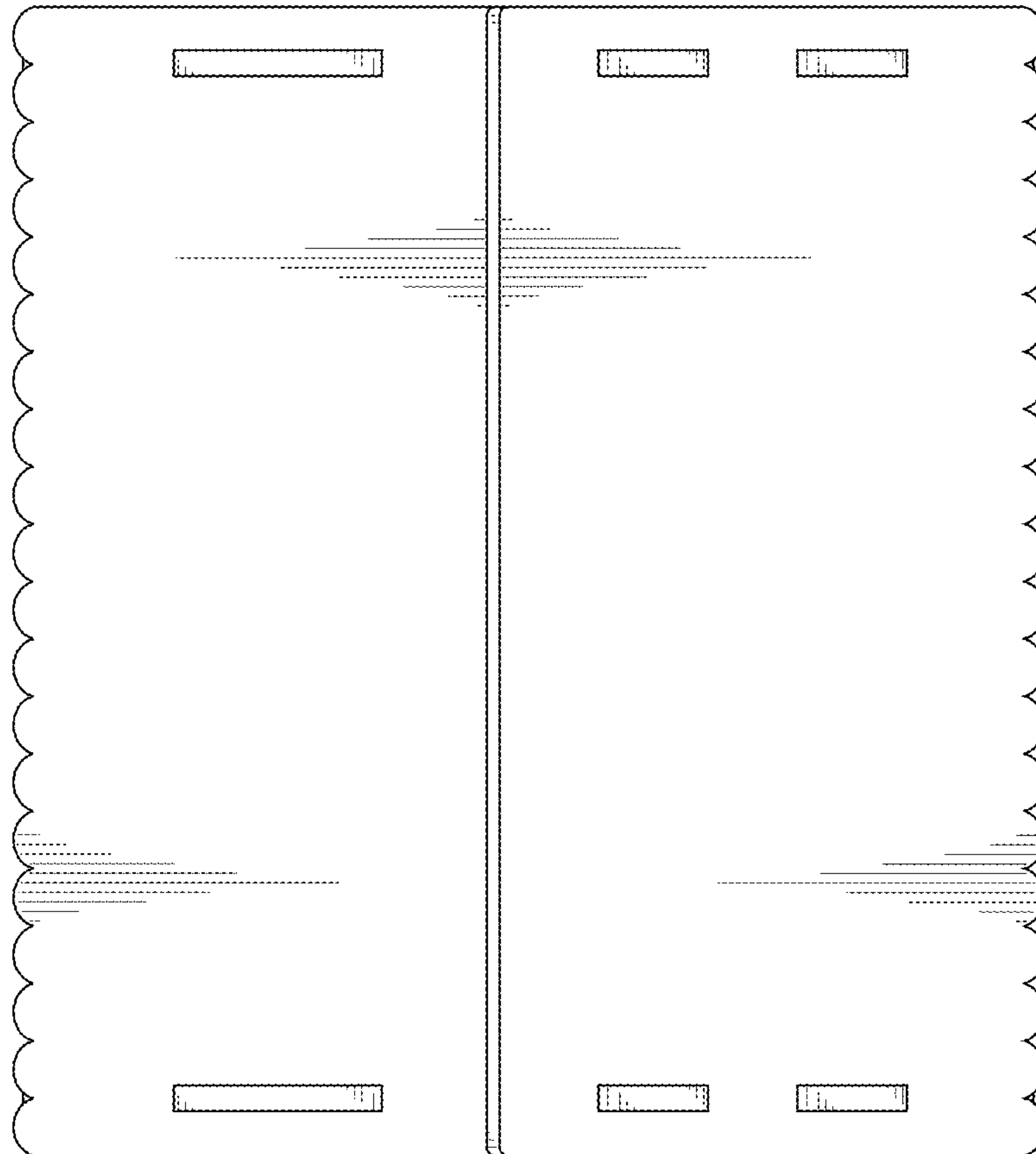


FIG. 7

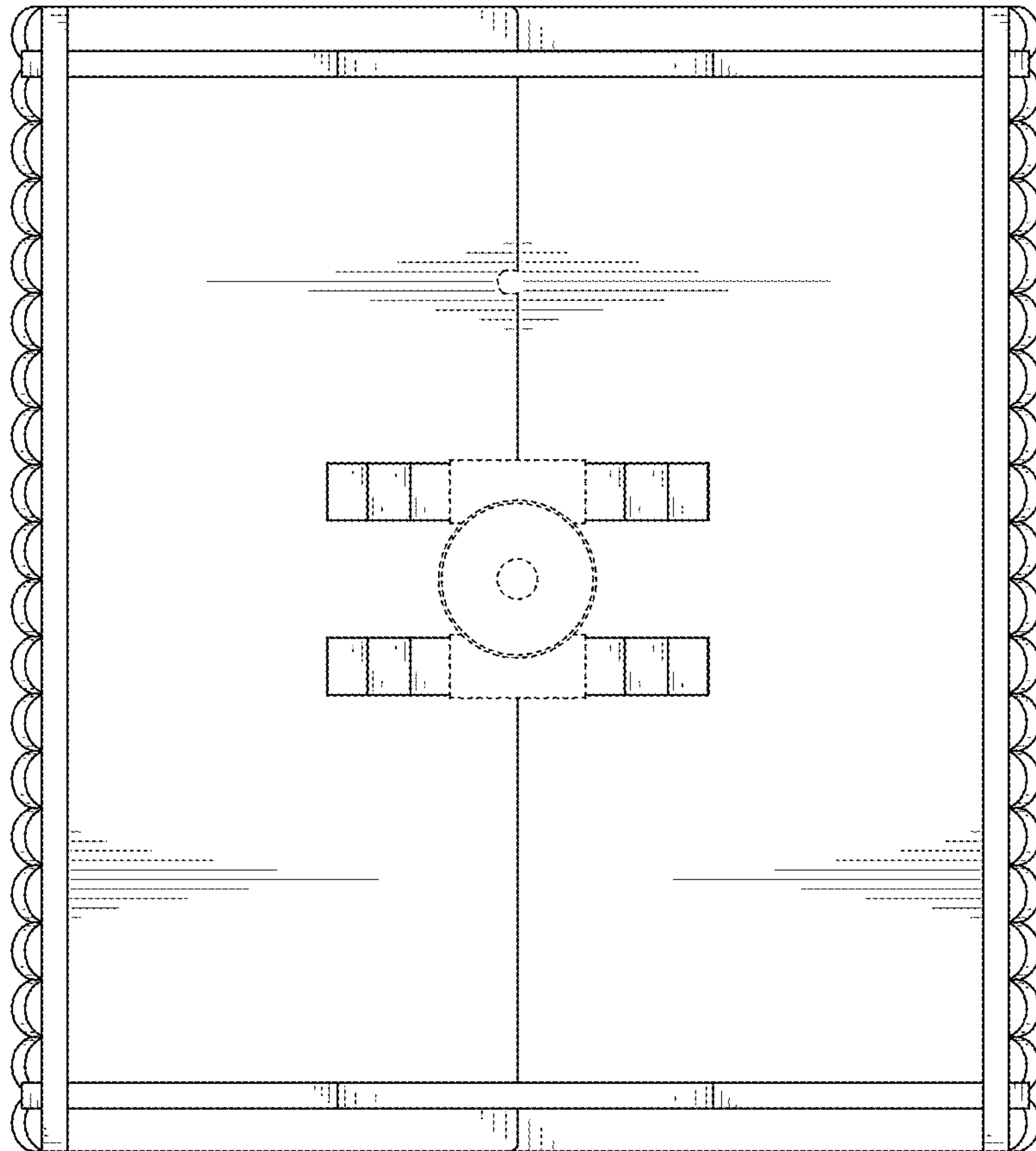


FIG. 8