



US00D939781S

(12) **United States Design Patent** (10) **Patent No.:** **US D939,781 S**
Chen (45) **Date of Patent:** **** Dec. 28, 2021**

(54) **OVEN MITT**

D825,862 S 8/2018 Martrin-Donos et al.
D830,641 S 10/2018 Martrin-Donos et al.
2006/0080757 A1* 4/2006 Beyda A41D 19/01529
2/164

(71) Applicant: **Wanjie Chen**, Guangzhou (CN)

(72) Inventor: **Wanjie Chen**, Guangzhou (CN)

(**) Term: **15 Years**

(21) Appl. No.: **29/757,808**

(22) Filed: **Nov. 10, 2020**

(51) **LOC (13) Cl.** **02-06**

(52) **U.S. Cl.**
USPC **D29/118**

(58) **Field of Classification Search**
USPC D29/113, 117.1, 117.2, 118, 119, 120.1
CPC .. A41D 19/01; A41D 19/015; A41D 2600/20;
A41D 2600/10; A41D 19/0044; A41D
19/00; A41D 19/0055; A41D 19/0003;
A41D 13/087; A41D 31/04; A41D 31/10;
A63B 71/143; A63B 71/146; A63B
21/4019

See application file for complete search history.

(56) **References Cited**

U.S. PATENT DOCUMENTS

2,889,556 A * 6/1959 Mehler A41D 19/01529
2/158
D476,777 S * 7/2003 Beyda D29/118
D518,921 S 4/2006 Beyda
D519,684 S * 4/2006 Simic D29/118
D526,096 S * 8/2006 Kaposi D29/118
D594,158 S 6/2009 Lown et al.
D629,971 S * 12/2010 Ho D29/119
D639,513 S * 6/2011 Ho D29/118
D639,781 S * 6/2011 Ho D14/218
D647,252 S * 10/2011 Green D29/119
D734,560 S 7/2015 Steidle
D734,561 S 7/2015 Steidle

OTHER PUBLICATIONS

Angeliyalove Oven Mitts, posted at amazon.com, posting date Aug. 19, 2020, [online], [site visited Apr. 19, 2021]. Available from Internet, URL: <https://www.amazon.com/dp/B08V199L5W> (Year: 2020).*

Arova Silicone Oven Mitts, posted at amazon.com, posting date Dec. 11, 2020, [online], [site visited Apr. 19, 2021]. Available from Internet, URL: <https://www.amazon.com/dp/B08QCHMBLG/> (Year: 2020).*

Aschef Silicone Oven Mitts, posted at amazon.com, posting date Sep. 6, 2020, [online], [site visited Apr. 19, 2021]. Available from Internet, URL: <https://www.amazon.com/Silicone-Non-Slip-Textured-Advanced-Resistance/dp/B08CZ87GBG/> (Year: 2020).*

(Continued)

Primary Examiner — George D. Kirschbaum
Assistant Examiner — Maria J. Edwards
(74) *Attorney, Agent, or Firm* — Runit Ranjit Kanakia

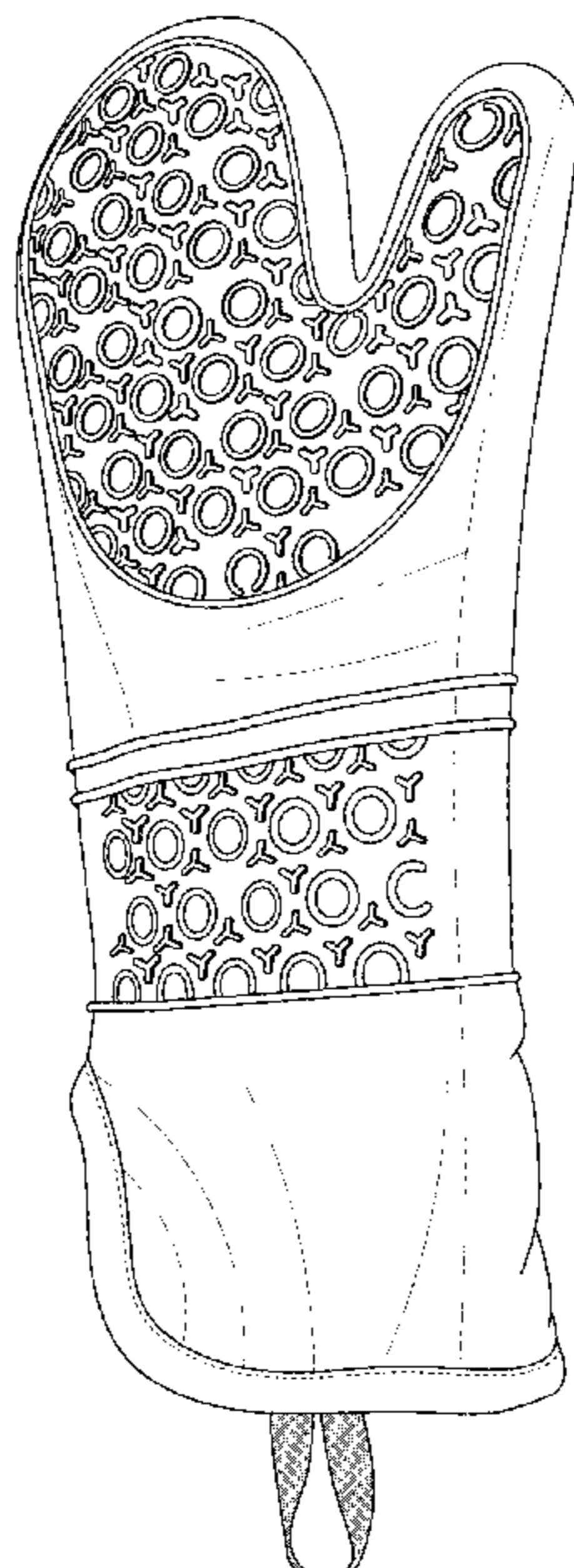
(57) **CLAIM**

I claim the ornamental design for an oven mitt, as shown and described.

DESCRIPTION

FIG. 1 is a Perspective view of an oven mitt showing my new design;
FIG. 2 is Front view thereof;
FIG. 3 is Back view thereof;
FIG. 4 is a Right-side view thereof;
FIG. 5 is a Left-side view thereof;
FIG. 6 is a Top view thereof; and,
FIG. 7 is a Bottom view thereof.
The broken lines depict stitching on the oven mitt and form no part of the claimed design.

1 Claim, 6 Drawing Sheets



(56)

References Cited

OTHER PUBLICATIONS

Frux Silicone Oven Mitts, posted at amazon.com, posting date Apr. 20, 2015, [online], [site visited Apr. 19, 2021]. Available from Internet, URL: <https://www.amazon.com/Black-Silicone-Oven-Hot-Mitts/dp/B00J5M55SG> (Year: 2015).*

Genrics Silicone Oven Mitts, posted at amazon.com, posting date Aug. 11, 2020, [online], [site visited Apr. 19, 2021]. Available from Internet, URL: <https://www.amazon.com/dp/B08D3DTBFC/> (Year: 2020).*

HOMWE Silicone Oven Mitts, posted at amazon.com, posting date by Dec. 25, 2017, [online], [site visited Apr. 19, 2021]. Available from Internet, URL: <https://www.amazon.com/Silicone-Potholders-Advanced-Resistant-Non-Slip/dp/B08K78HSBX> (Year: 2017).*

MAXZER Silicone Oven Mitts, posted at amazon.com, posting date by Sep. 1, 2019, [online], [site visited Apr. 19, 2021]. Available from Internet, URL: <https://www.amazon.com/dp/B08Q44WFQZ> (Year: 2019).*

MTZRFL Silicone Oven Mitt, posted at amazon.com, posting date Aug. 2, 2020, [online], [site visited Apr. 19, 2021]. Available from Internet, URL: <https://www.amazon.com/MTZRFL-Silicone-Non-Slip-Resistant-Grilling/dp/B08MXX7W9N?th=1> (Year: 2020).*

SWOSWHEN Extra Long Silicone Oven Mitts, posted at amazon.com, posting date Feb. 24, 2021, [online], [site visited Apr. 19, 2021]. Available from Internet, URL: <https://www.amazon.com/dp/B08XB3ZXW5/> (Year: 2021).*

Zerosky Oven Mitts, posted at amazon.com, posting date Jan. 13, 2021, [online], [site visited Apr. 19, 2021]. Available from Internet, URL: <https://www.amazon.com/dp/B08SB7DVJT> (Year: 2021).*

Rorecay Extra Long Oven Mitts and Pot Holders Sets: Heat Resistant Silicone Oven Mittens with Mini Oven Gloves and Hot Pads Potholders for Kitchen Baking Cooking, Quilted Liner, Gray, Pack of 6; https://www.amazon.com/dp/B08CVDV66H?ref=myi_title_dp; Sep. 18, 2020.

<https://www.amazon.com/MTZRFL-Silicone-Non-Slip-Resistant-Grilling/dp/B08F48RWCS>; Aug. 2, 2020.

* cited by examiner

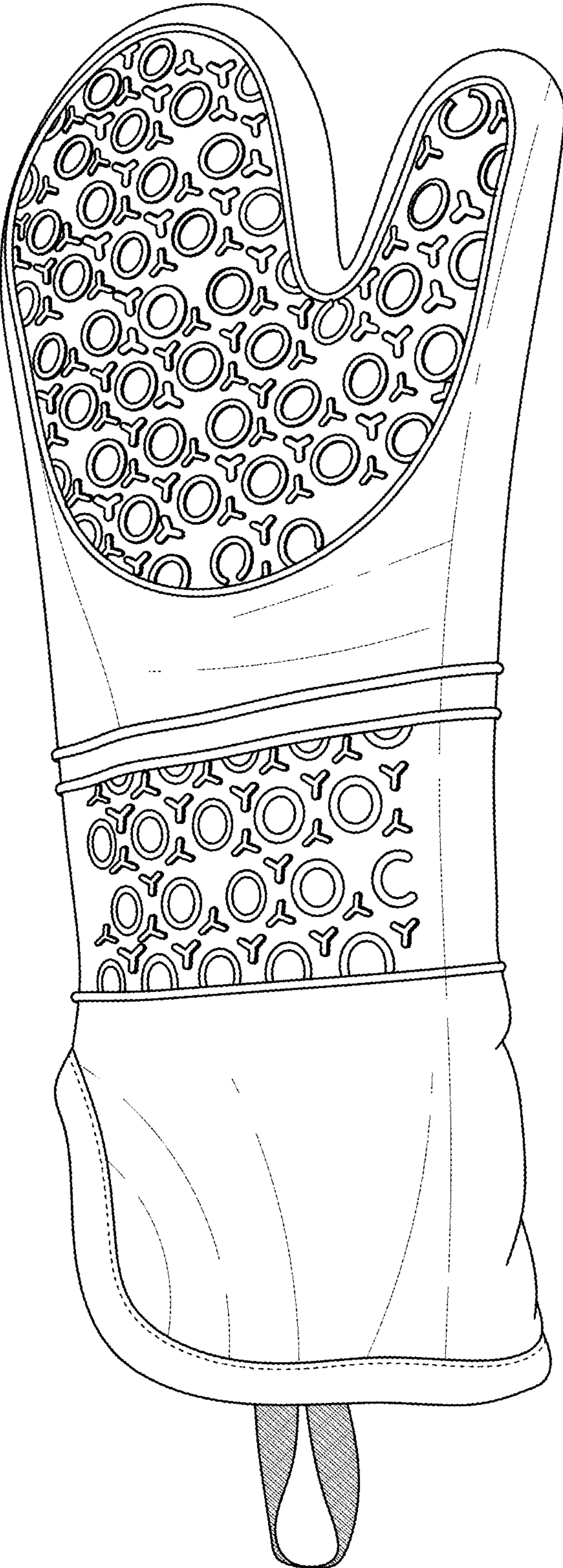


FIG. 1

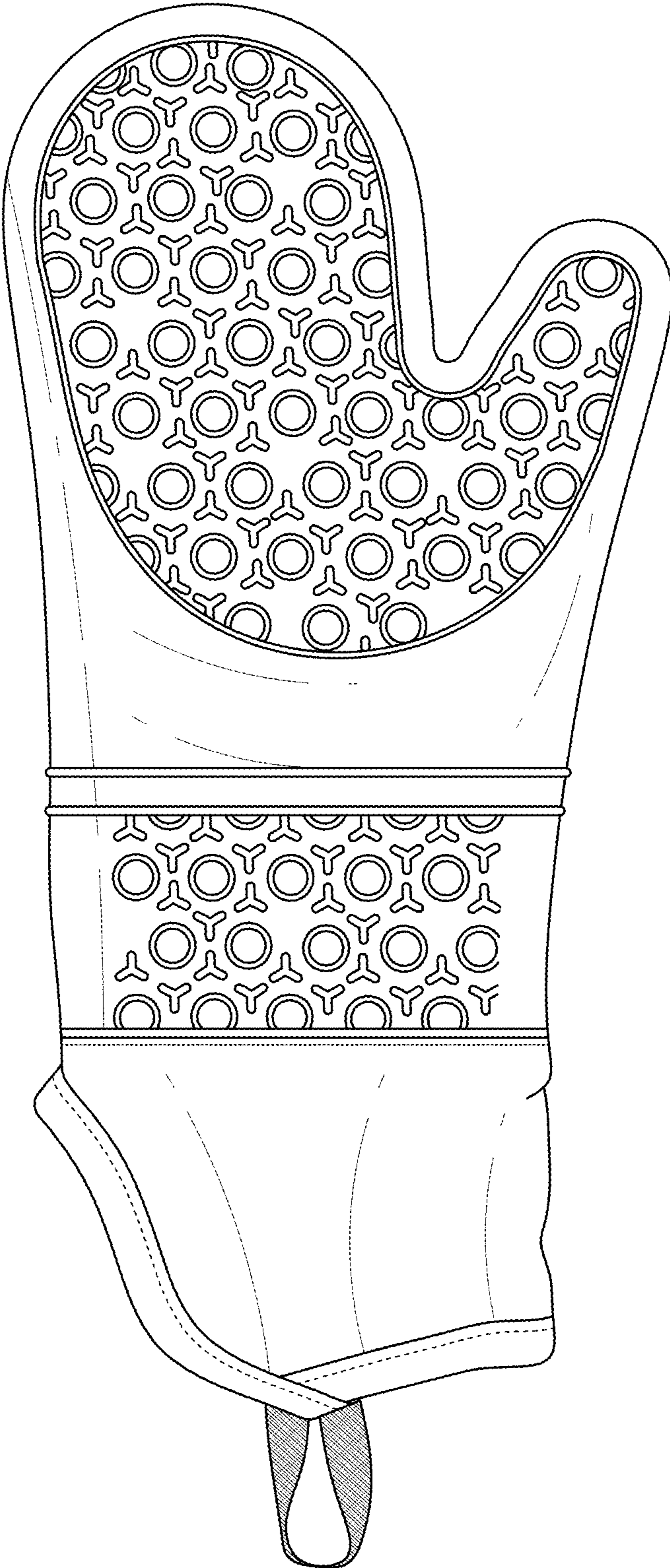


FIG. 2

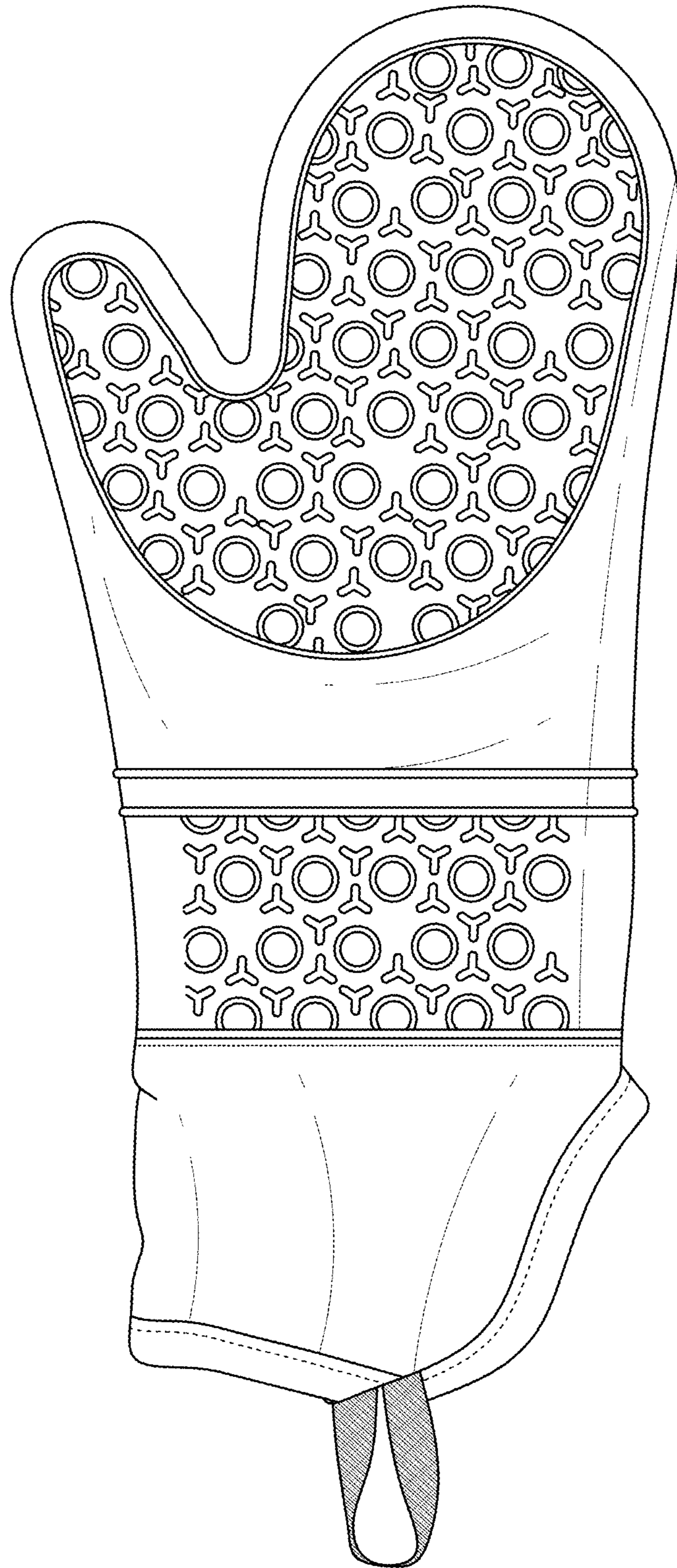


FIG. 3

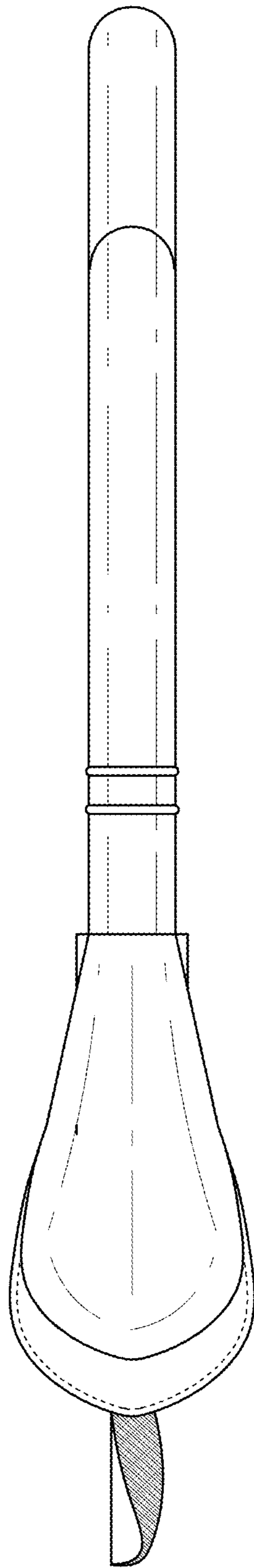


FIG. 4

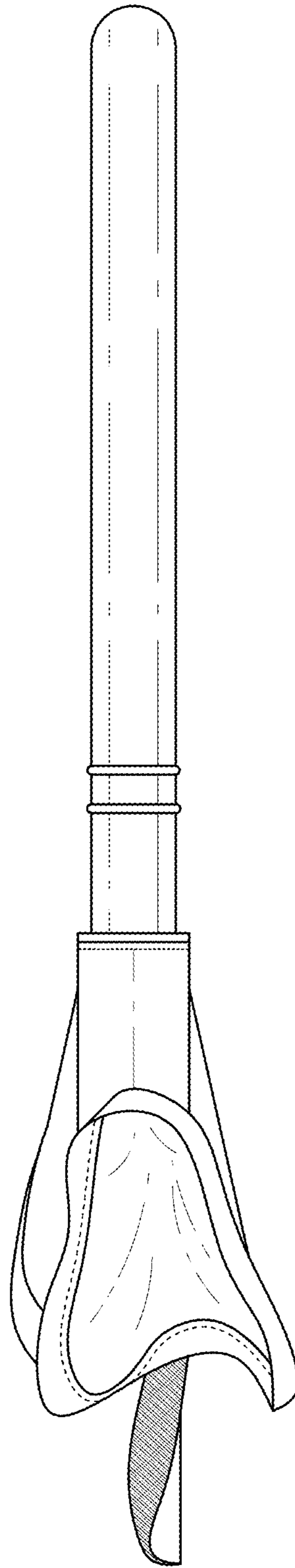


FIG. 5

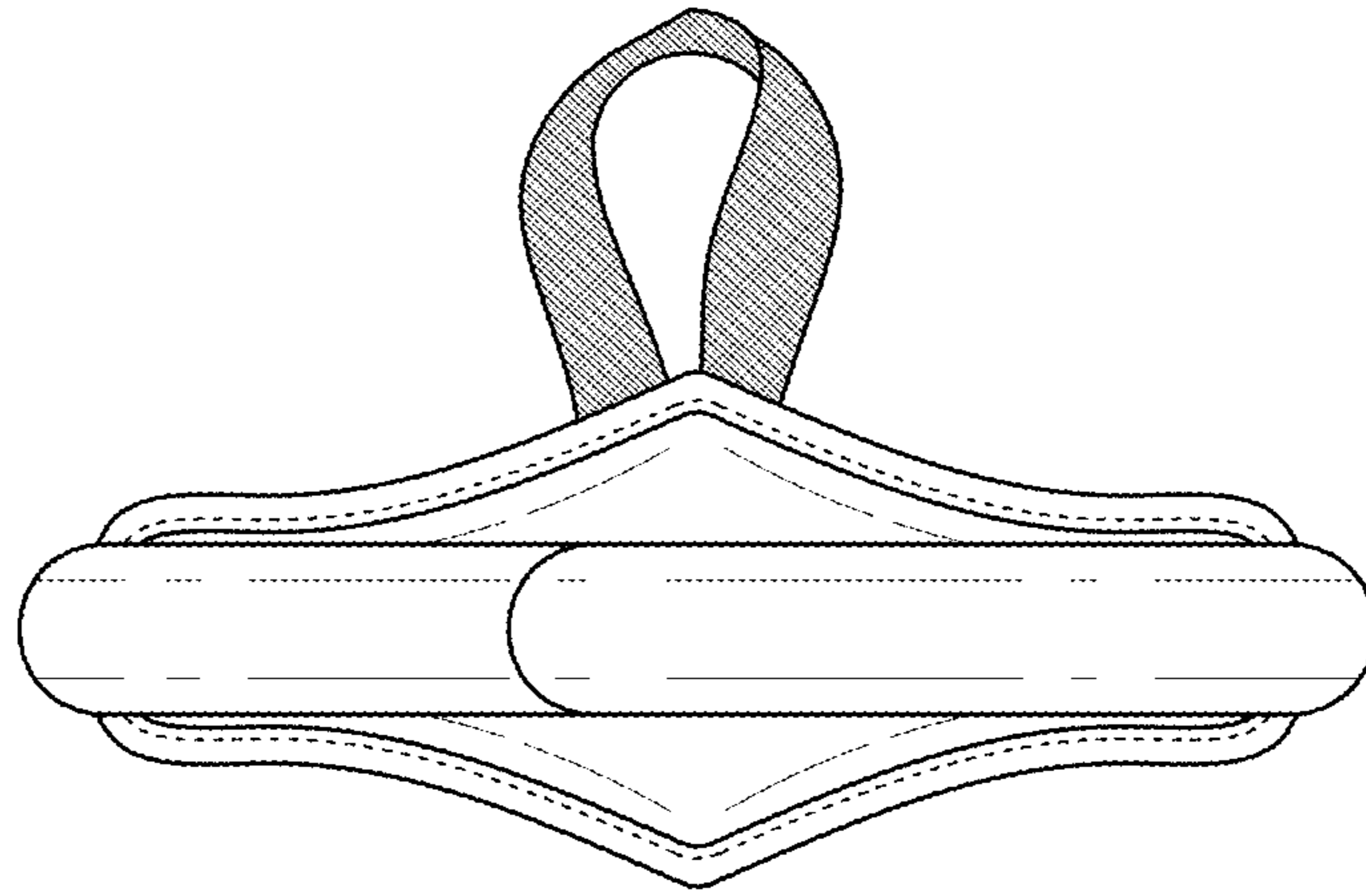


FIG. 6

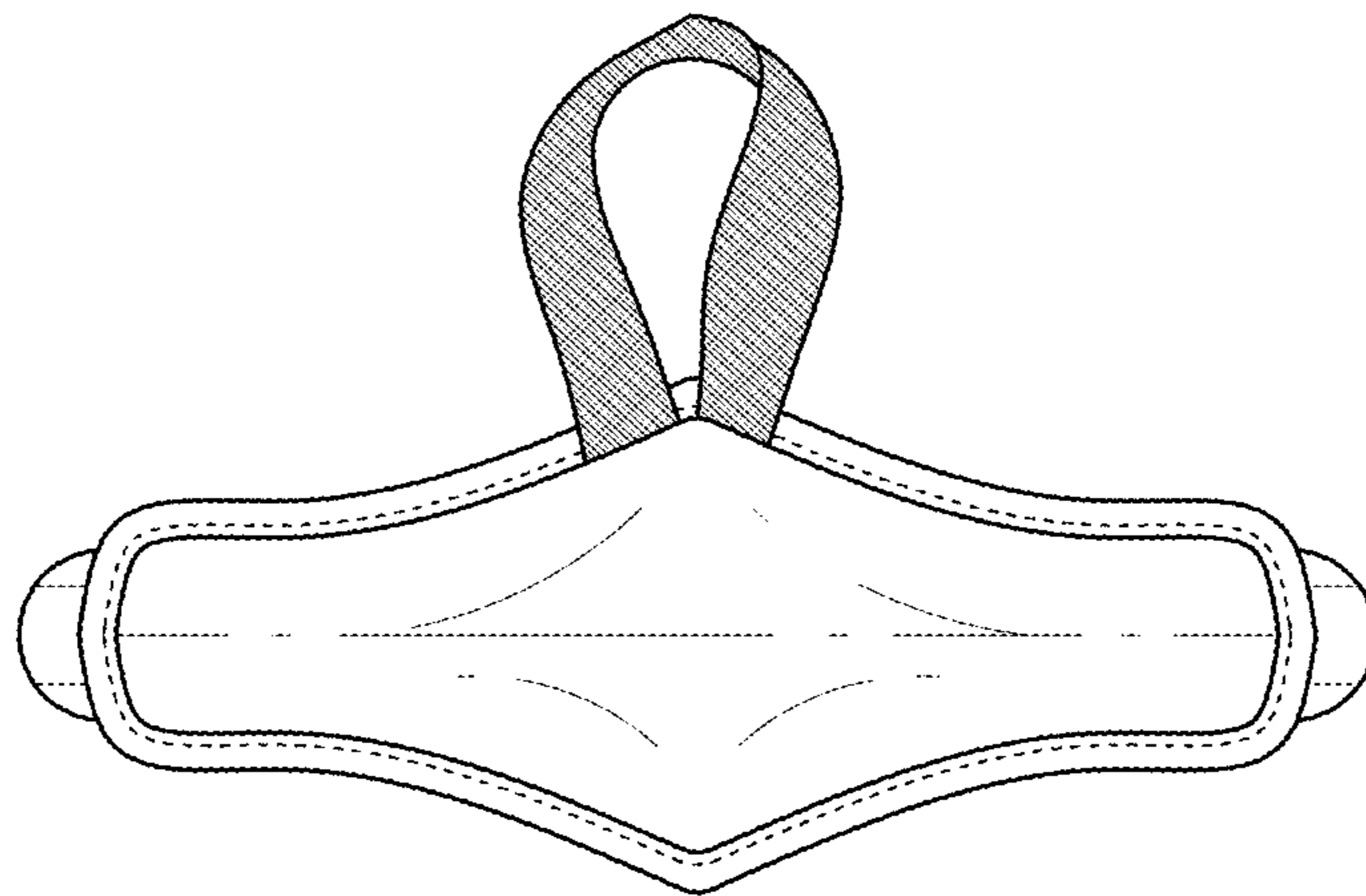


FIG. 7