



US00D939775S

(12) **United States Design Patent**  
**Khayat**

(10) **Patent No.:** **US D939,775 S**

(45) **Date of Patent:** **\*\* Dec. 28, 2021**

(54) **FLOSS DISPENSER**

- (71) Applicant: **Burst.USA Inc.**, Venice, CA (US)
- (72) Inventor: **Hamish Khayat**, Venice, CA (US)
- (73) Assignee: **Burst.USA Inc.**, Venice, CA (US)
- (\*\*) Term: **15 Years**

(21) Appl. No.: **29/715,138**

(22) Filed: **Nov. 27, 2019**

(51) **LOC (13) Cl.** ..... **28-03**

(52) **U.S. Cl.**  
USPC ..... **D28/83; D28/66**

(58) **Field of Classification Search**

USPC ..... D28/65–68, 73; D24/152–154; D9/503,  
D9/504, 529, 737, 756, 759; D3/201,  
D3/203.1, 203.3, 295

CPC ..... A61C 15/00; A61C 15/02; A61C 15/04;  
A61C 15/041; A61C 15/042; A61C  
15/043; A61C 15/045; A61C 15/046;  
A61C 15/047; A61C 15/048; A61C  
2202/00

See application file for complete search history.

(56) **References Cited**

**U.S. PATENT DOCUMENTS**

5,076,423	A *	12/1991	Russack	.....	A61C 15/043 206/63.5
D457,986	S *	5/2002	Rodriguez	.....	D28/78
D506,290	S *	6/2005	Longoni	.....	D28/66
D543,316	S *	5/2007	Hadtke	.....	D28/66
D573,026	S *	7/2008	Tsai	.....	D9/435
D723,218	S *	2/2015	Goswell	.....	D28/83
D726,966	S *	4/2015	McDougall	.....	D28/66
D736,468	S *	8/2015	Goswell	.....	D28/83
D805,693	S *	12/2017	Evans	.....	D28/66
D825,109	S *	8/2018	Percassi	.....	D28/83
D865,296	S *	10/2019	Min	.....	D28/83
D888,268	S *	6/2020	Oh	.....	D24/217

(Continued)

**OTHER PUBLICATIONS**

Burst Expanding Floss [online], [site visited Apr. 12, 2021]. Available from internet, URL: <<https://www.burstoralcare.com/product/floss>> (Year: 2021).\*

(Continued)

*Primary Examiner* — Cynthia Ramirez

*Assistant Examiner* — Xavier Marti-Santos

(74) *Attorney, Agent, or Firm* — Cooley LLP

(57) **CLAIM**

The ornamental design for a floss dispenser, as shown and described.

**DESCRIPTION**

FIG. 1 is a front perspective exploded view of a floss dispenser, according to my new design;

FIG. 2 is a front perspective view of the floss dispenser illustrated in FIG. 1;

FIG. 3 is a front view of the floss dispenser illustrated in FIG. 1;

FIG. 4 is a rear view of the floss dispenser illustrated in FIG. 1;

FIG. 5 is a left side view of the floss dispenser illustrated in FIG. 1;

FIG. 6 is a right side view of the floss dispenser illustrated in FIG. 1;

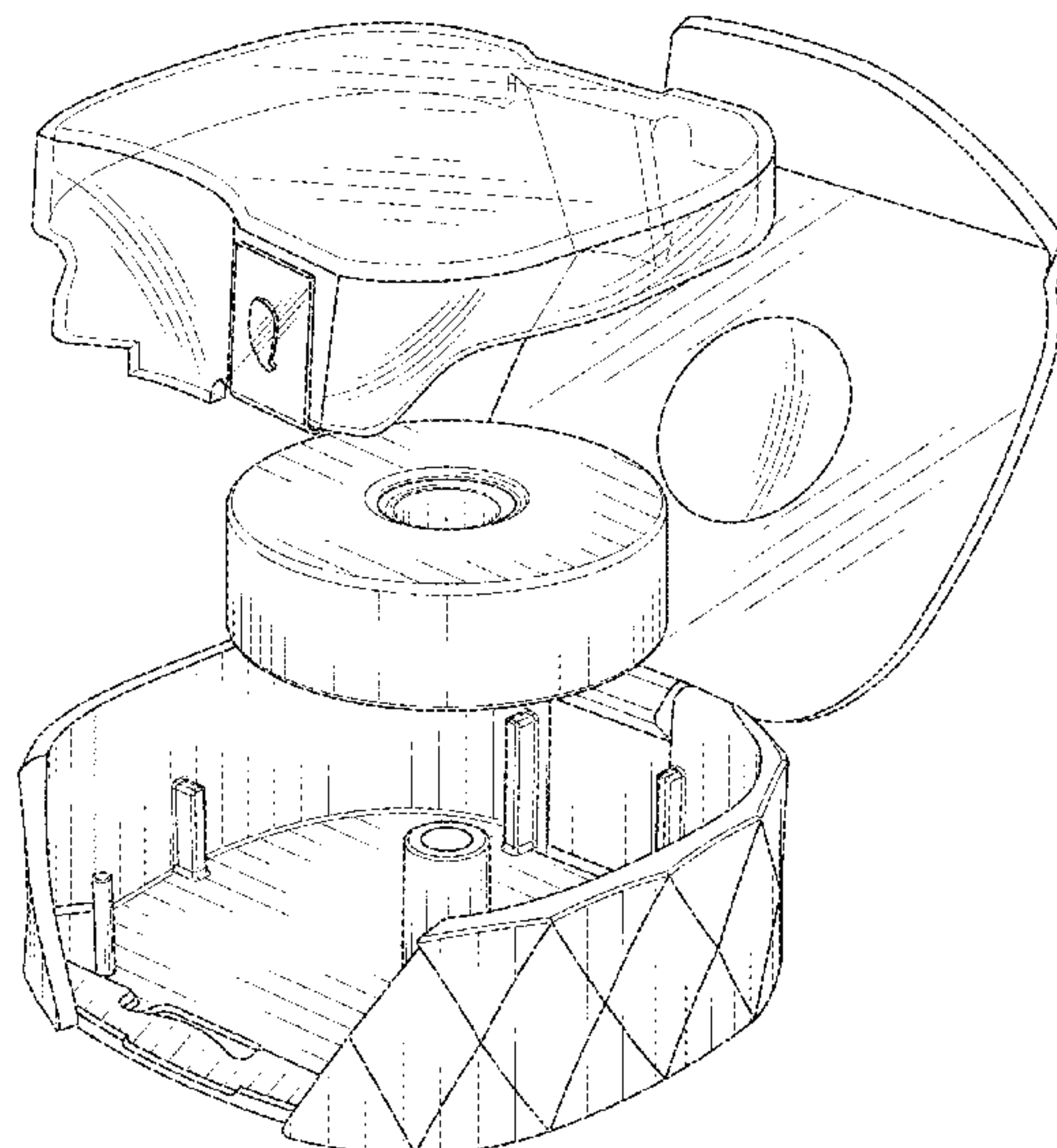
FIG. 7 is a top end view of the floss dispenser illustrated in FIG. 1; and,

FIG. 8 is a bottom end view of the floss dispenser illustrated in FIG. 1.

The contour lines shown in each view of the drawings are lines representing the surfaces of the solid body and are not surface pattern.

The broken lines in the figures are for the purpose of illustrating portions of the floss dispenser and form no part of the claimed design.

**1 Claim, 6 Drawing Sheets**



(56)

**References Cited**

U.S. PATENT DOCUMENTS

2019/0105137 A1\* 4/2019 Dishon ..... A61C 15/043

OTHER PUBLICATIONS

Burst Charcoal Floss [online], [site visited Apr. 21, 2021]. Available from internet, URL: <<https://www.amazon.com/BURST-Charcoal-Dental-Eucalyptus-Starter/dp/B083JNM9TX>> (Year: 2020).\*

Burst Oral Care [online], [site visited Apr. 21, 2021]. Available from internet, URL: <<https://www.prnewswire.com/news-releases/burst-oral-care-launches-industrys-first-and-only-black-expanding-floss-with-reusable-dispenser-300967971.html>> (Year: 2019).\*

\* cited by examiner

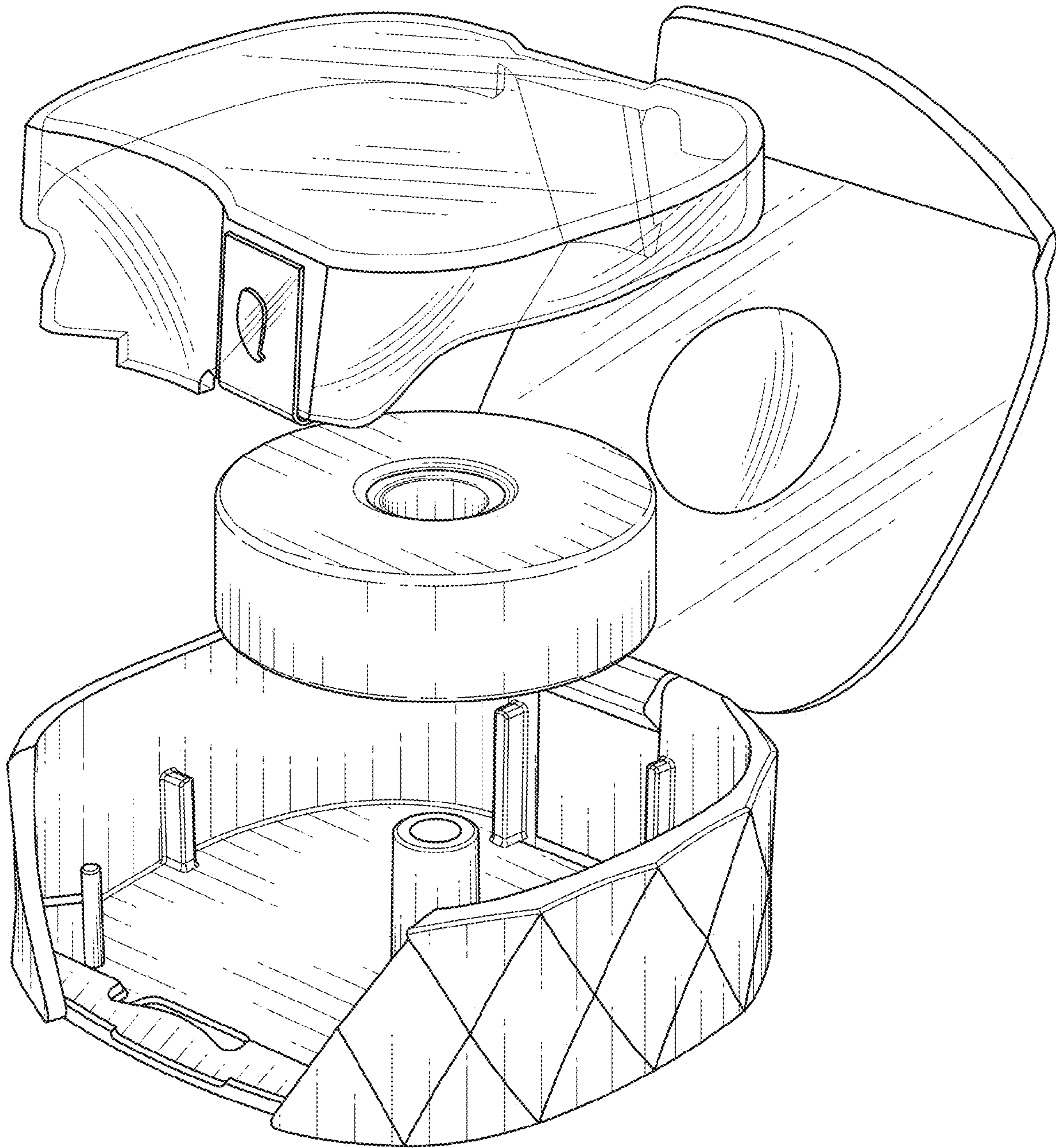


FIG. 1



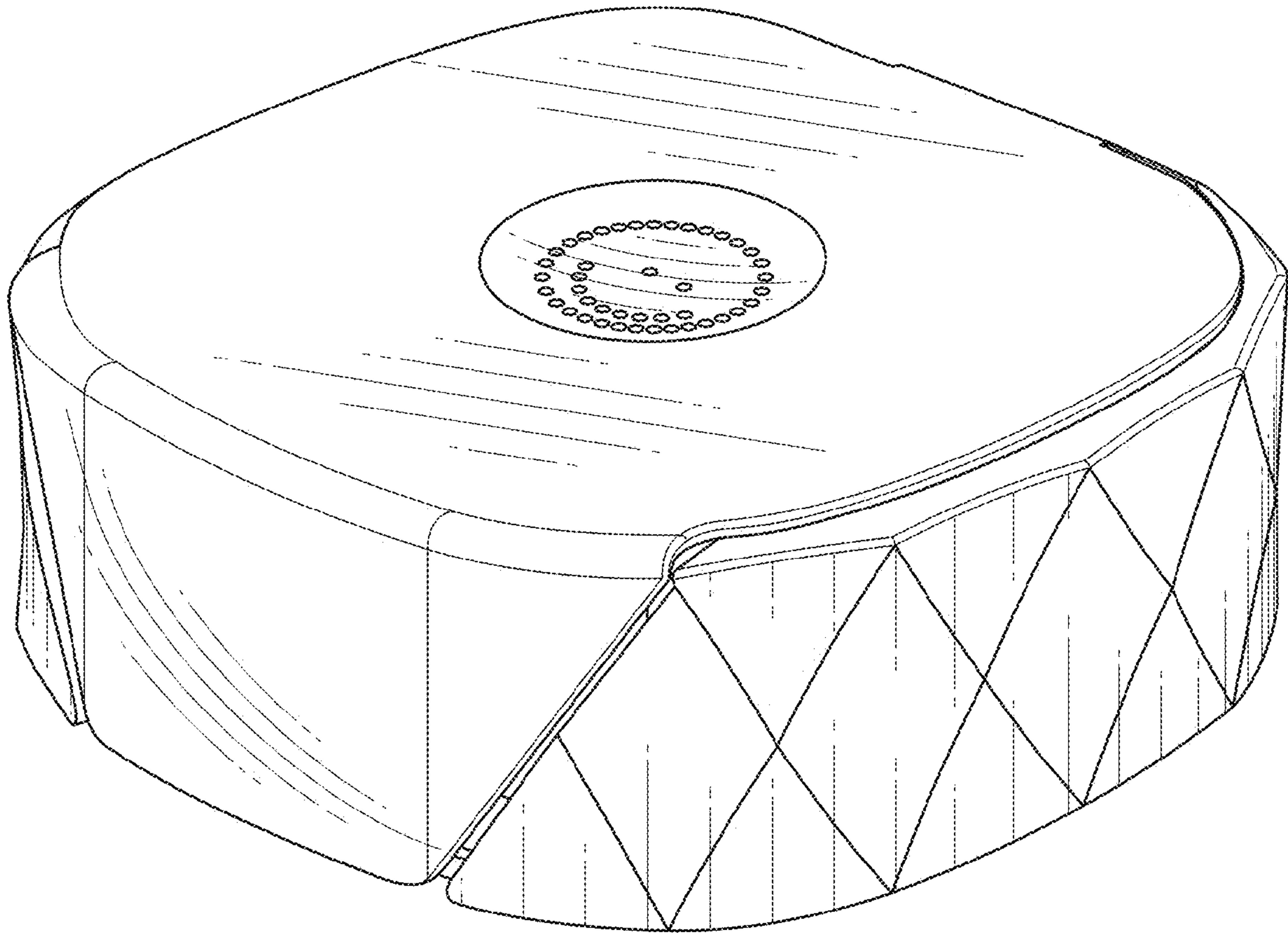


FIG. 2

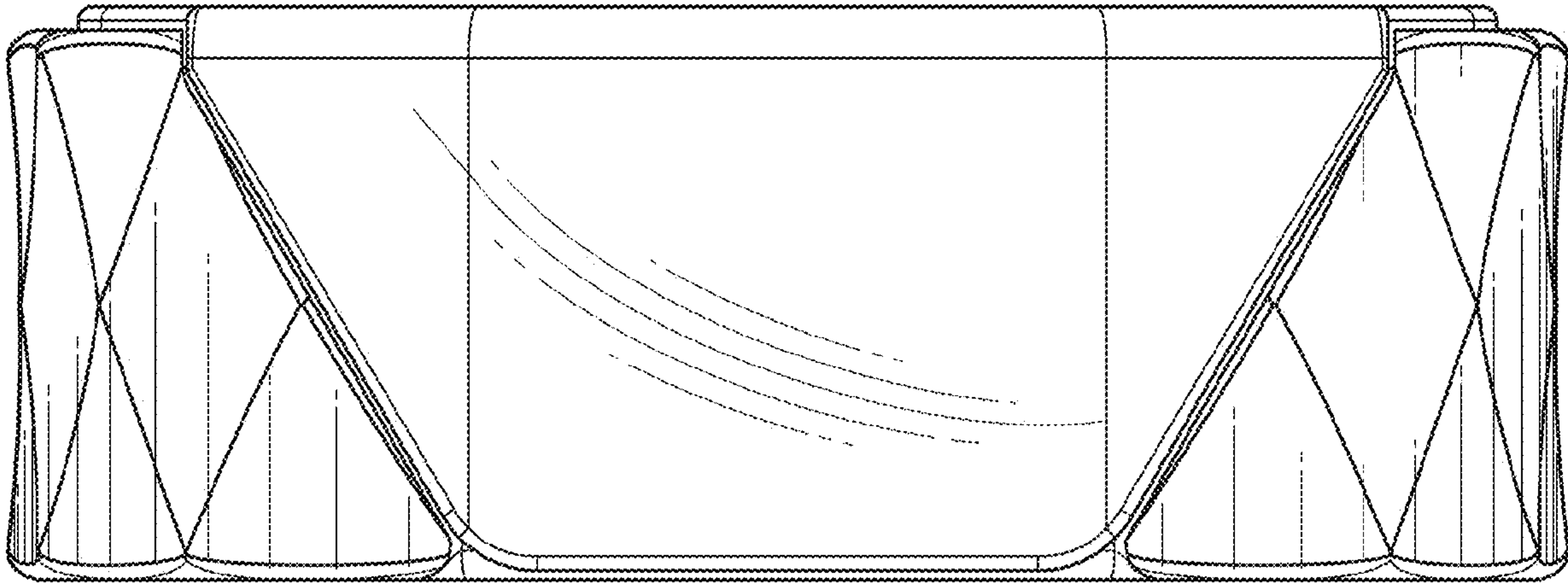


FIG. 3

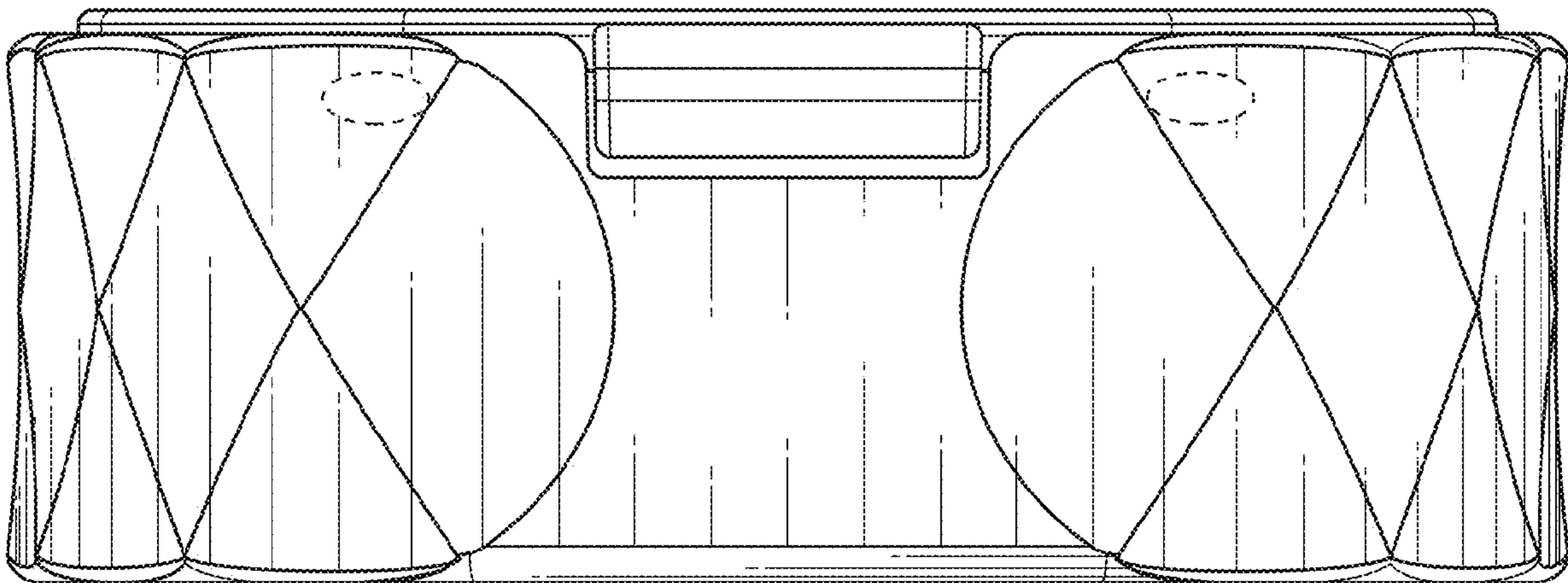


FIG. 4

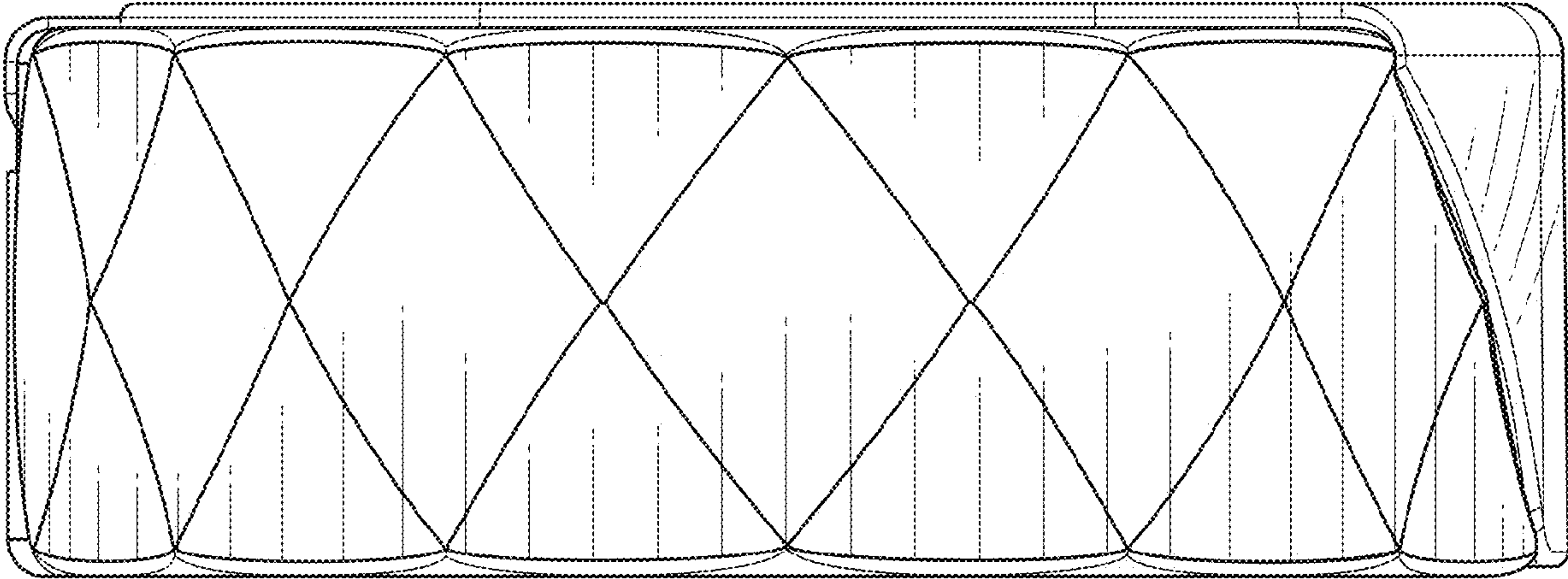


FIG. 5

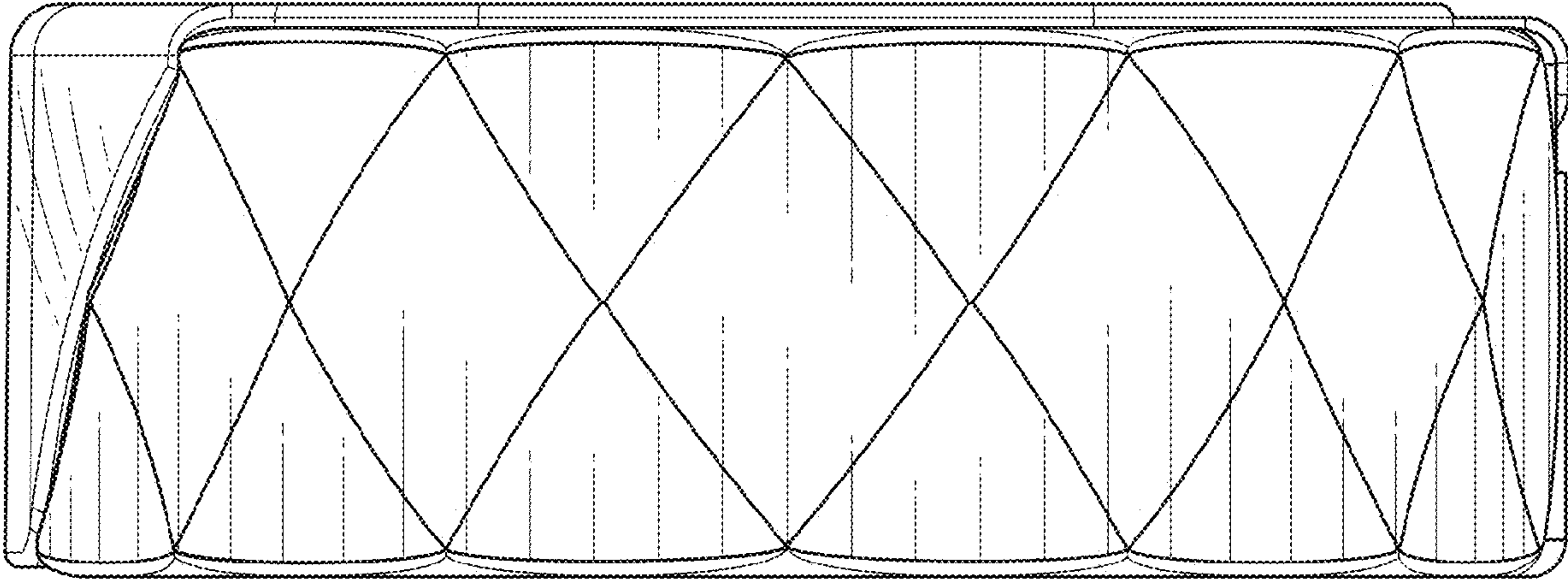


FIG. 6

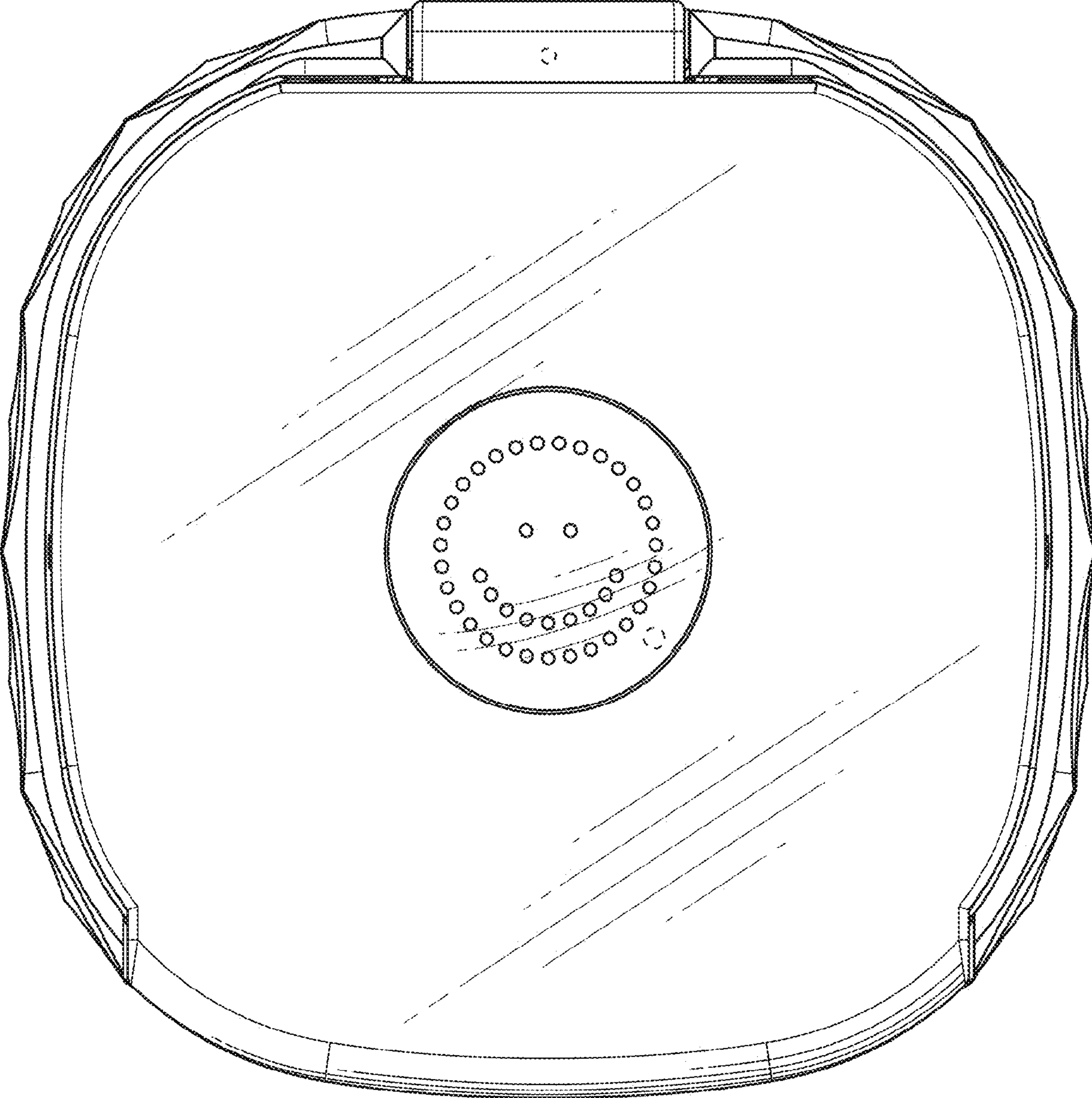


FIG. 7



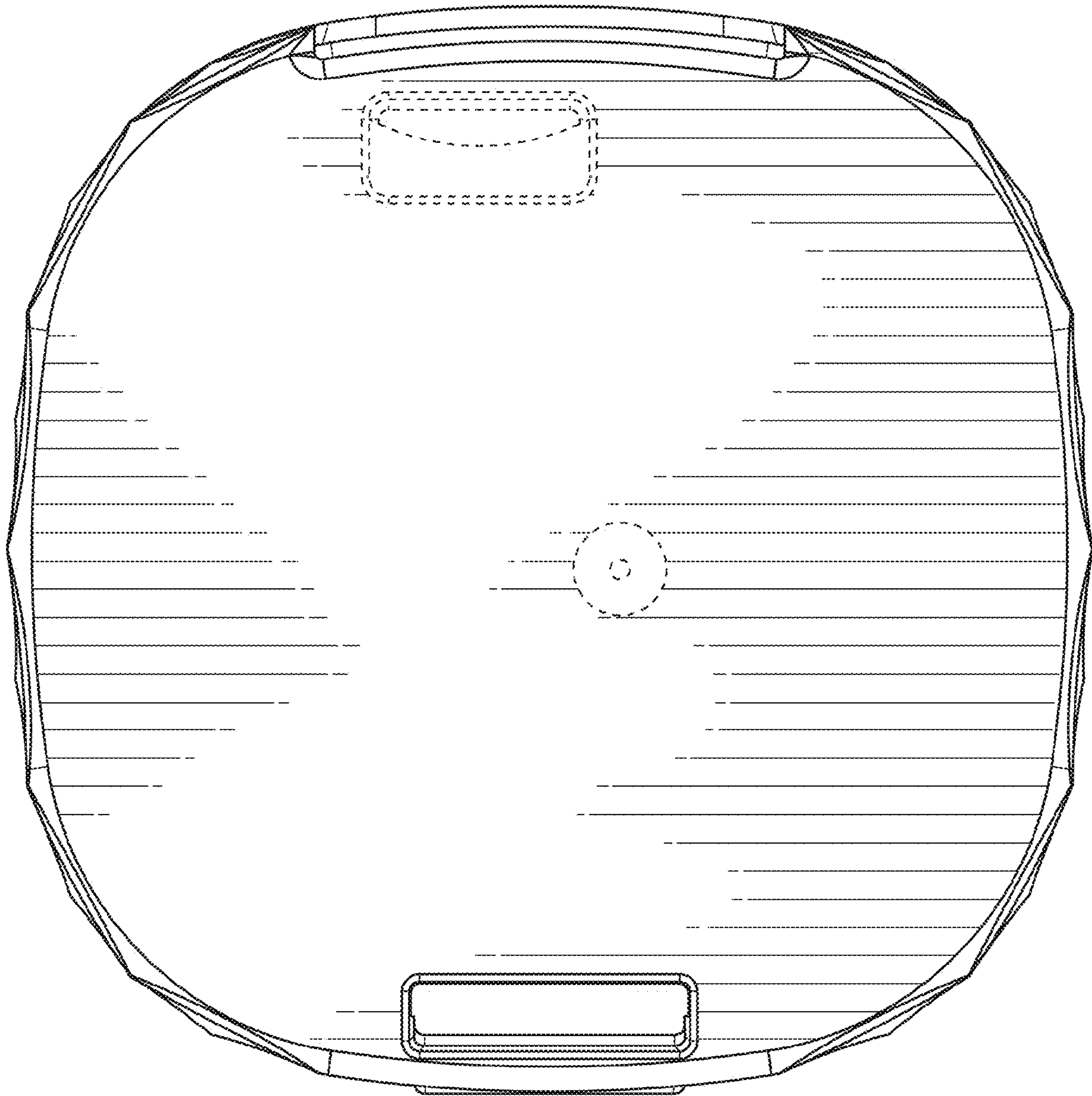


FIG. 8