



US00D939774S

(12) **United States Design Patent** (10) **Patent No.:** **US D939,774 S**
Jiang (45) **Date of Patent:** **** Dec. 28, 2021**

(54) **ELECTRIC HAIR CLIPPER**
(71) Applicant: **NINGBO ICLIPPER ELECTRIC APPLIANCE CO., LTD., Ningbo (CN)**
(72) Inventor: **Qi Jiang, Ningbo (CN)**
(**) Term: **15 Years**
(21) Appl. No.: **29/762,053**
(22) Filed: **Dec. 14, 2020**
(51) **LOC (13) Cl.** **28-03**
(52) **U.S. Cl.**
USPC **D28/53**
(58) **Field of Classification Search**
USPC D28/49-54
CPC B26B 19/00-107; B26B 19/12; B26B 19/20-22; B26B 19/3806-3833; B26B 19/3853-3886
See application file for complete search history.

D821,652 S * 6/2018 Skuhra D28/53
10,059,013 B2 * 8/2018 Skuhra B26B 19/3853
D844,245 S * 3/2019 Wu D28/53
D846,192 S * 4/2019 Wu D28/53
D847,432 S * 4/2019 Aulwes D28/54
10,518,427 B2 * 12/2019 Skuhra B26B 19/3853
D911,611 S * 2/2021 Jiang D28/53
D911,612 S * 2/2021 Jiang D28/53
D911,613 S * 2/2021 Jiang D28/53
D912,327 S * 3/2021 Jiang D28/53
D912,328 S * 3/2021 Jiang D28/53
D923,249 S * 6/2021 Jiang D28/53
D930,903 S * 9/2021 Zhuang D28/53
2003/0051346 A1 * 3/2003 McCambridge B26B 19/3846
30/122
2013/0200823 A1 * 8/2013 Chan H02K 33/16
318/3

* cited by examiner

Primary Examiner — Jennifer Rivard
(74) Attorney, Agent, or Firm — W&KIP

(57) **CLAIM**

The ornamental design for an electric hair clipper, as shown and described.

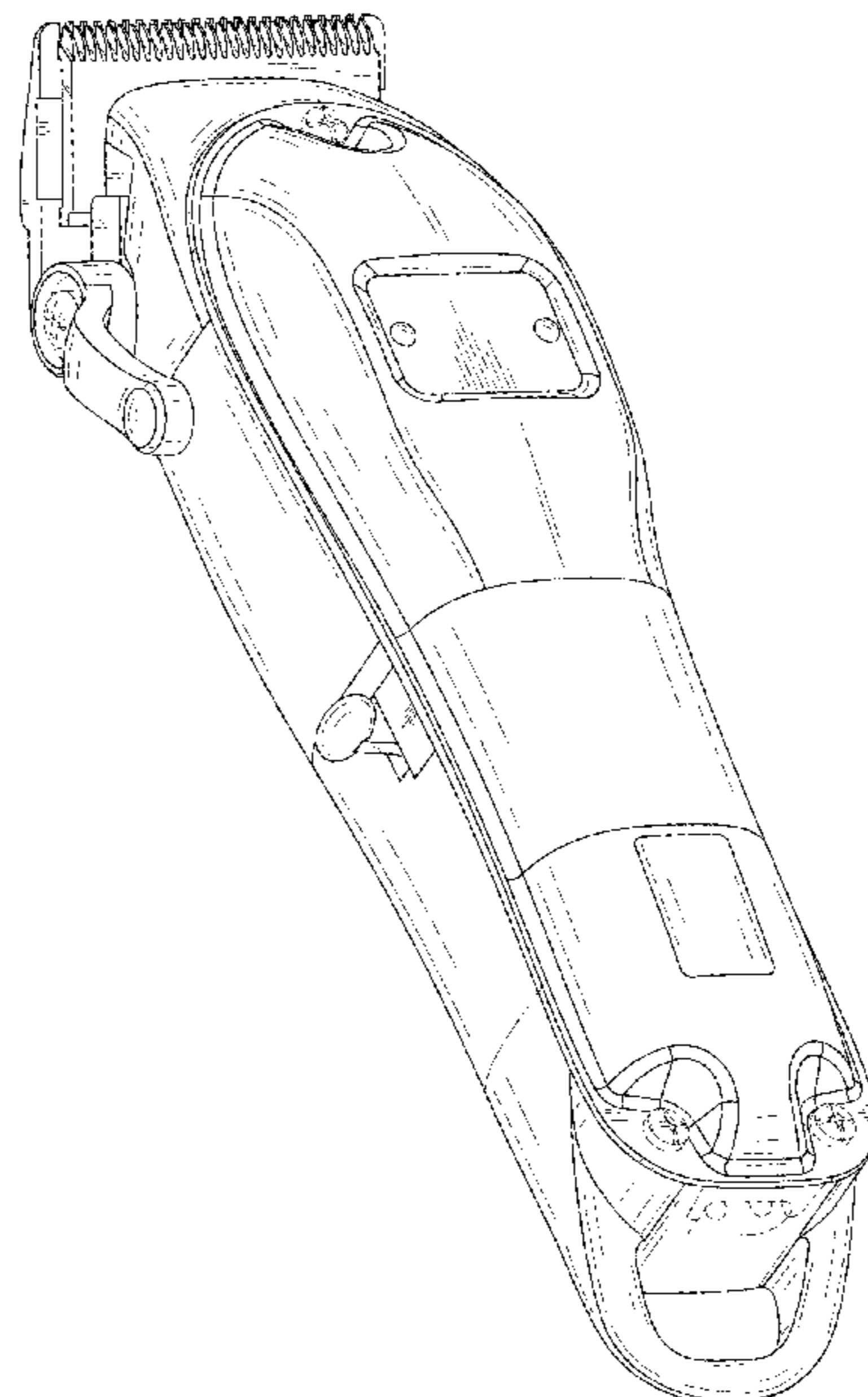
DESCRIPTION

FIG. 1 is a front elevation view of an electric hair clipper showing my design;
FIG. 2 is a back elevation view thereof;
FIG. 3 is a left side view thereof;
FIG. 4 is a right side view thereof;
FIG. 5 is a top plan view thereof;
FIG. 6 is a bottom plan view thereof;
FIG. 7 is a perspective view thereof; and,
FIG. 8 is another perspective view thereof.
The dashed or broken lines shown in the drawings depict portions of the electric hair clipper in which the design is embodied that form no part of the claimed design.

1 Claim, 7 Drawing Sheets

(56) **References Cited**
U.S. PATENT DOCUMENTS

D348,543 S 7/1994 Melton
D387,487 S 12/1997 Sulik
D435,936 S * 1/2001 Long D28/54
D497,452 S * 10/2004 Nielsen D28/53
D500,392 S * 12/2004 Buck, Jr D28/54
D534,689 S * 1/2007 Gross D28/53
D571,504 S * 6/2008 Long D28/54
D597,254 S * 7/2009 Eddinger D28/54
D622,907 S 8/2010 Schwer et al.
D715,489 S * 10/2014 Aulwes D28/54
D715,490 S * 10/2014 Aulwes D28/54
9,038,276 B2 * 5/2015 Arndt B26B 19/06
30/208
D758,665 S * 6/2016 Skuhra D28/54
D790,133 S * 6/2017 Aulwes D28/54
D815,355 S * 4/2018 Fleming D28/53



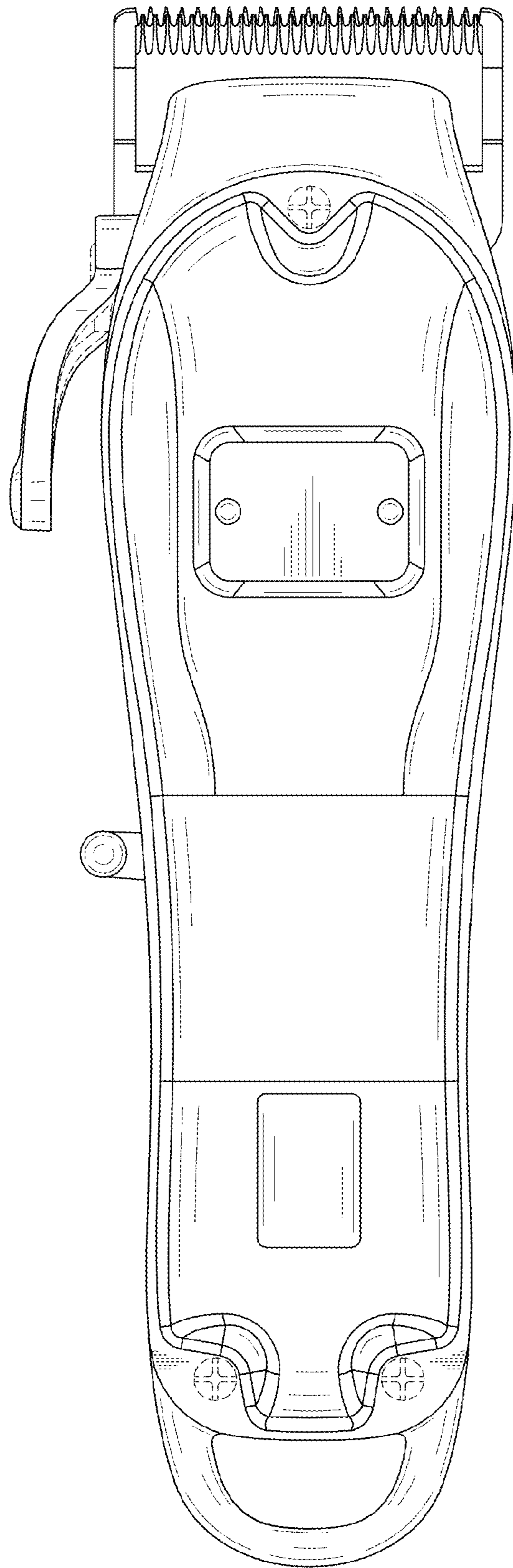


FIG. 1

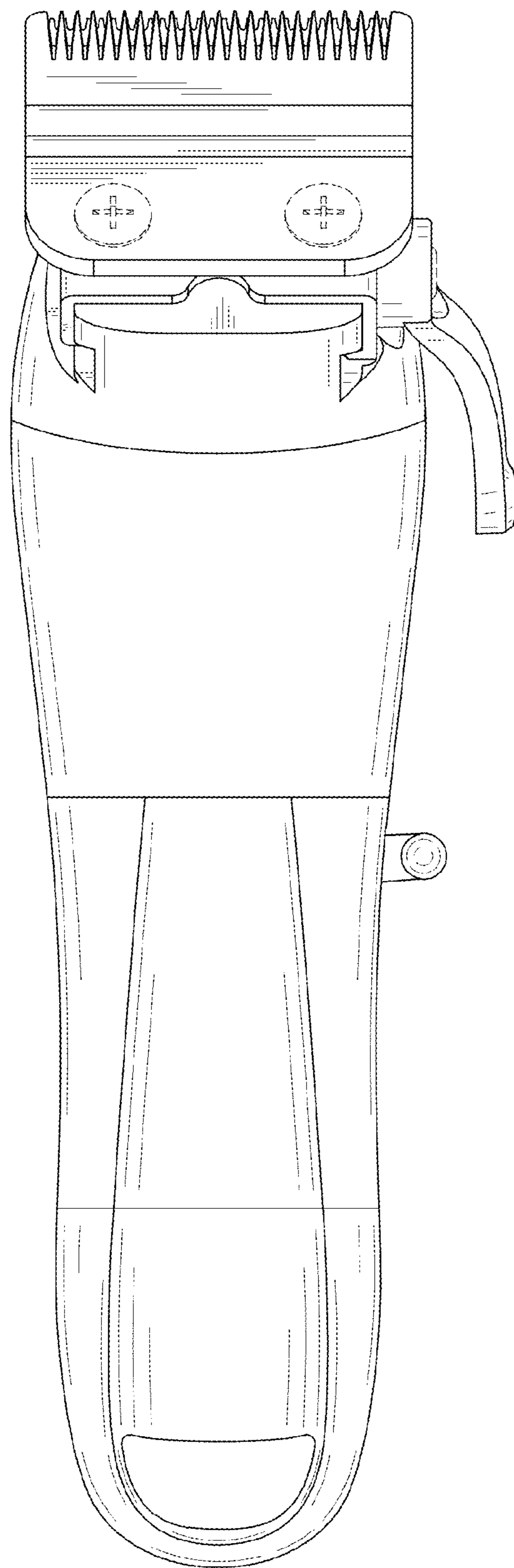


FIG.2

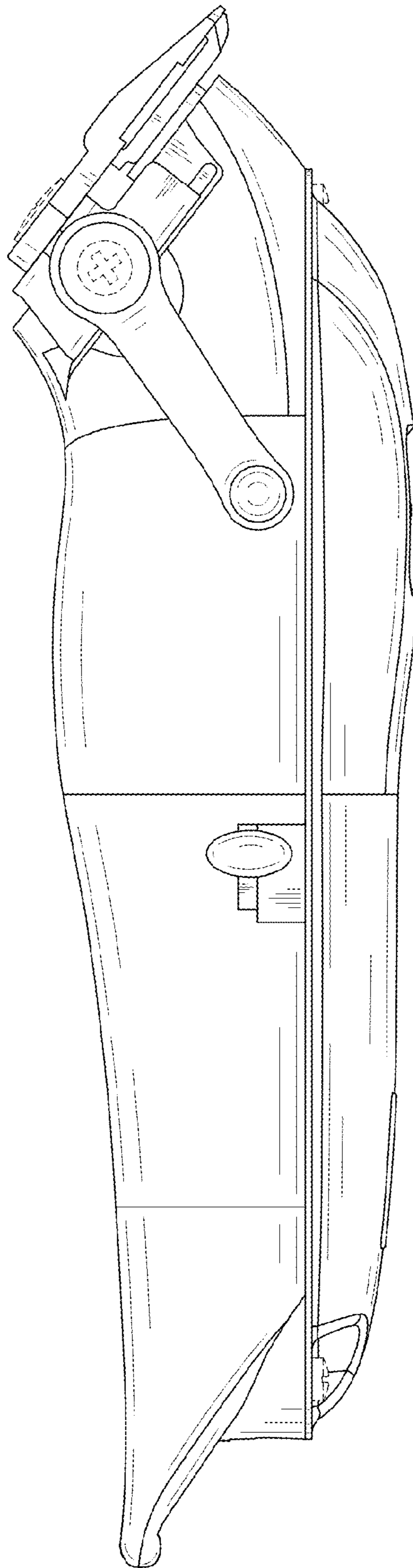


FIG.3

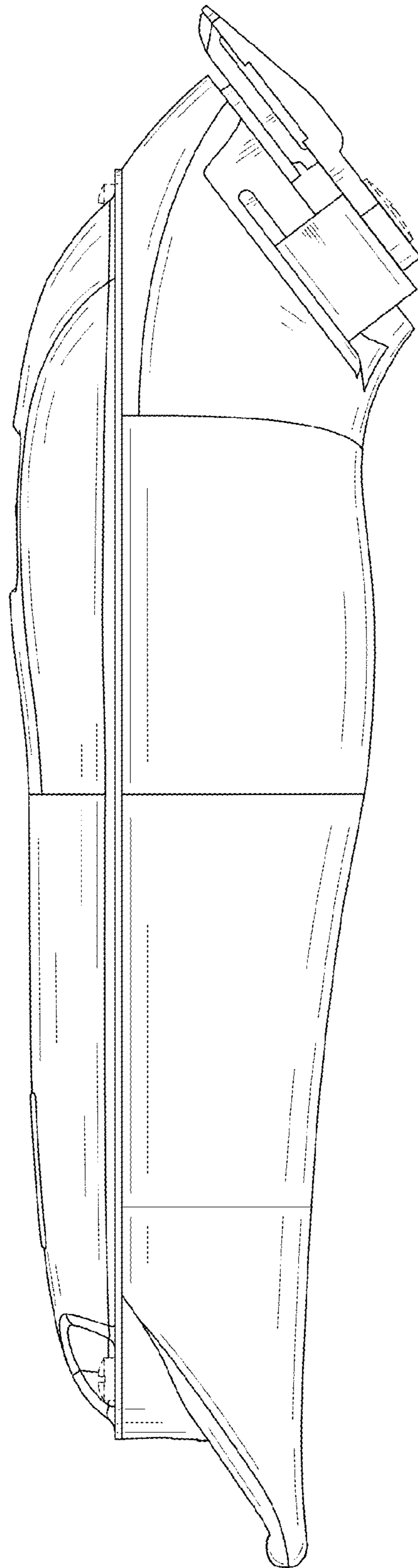


FIG.4

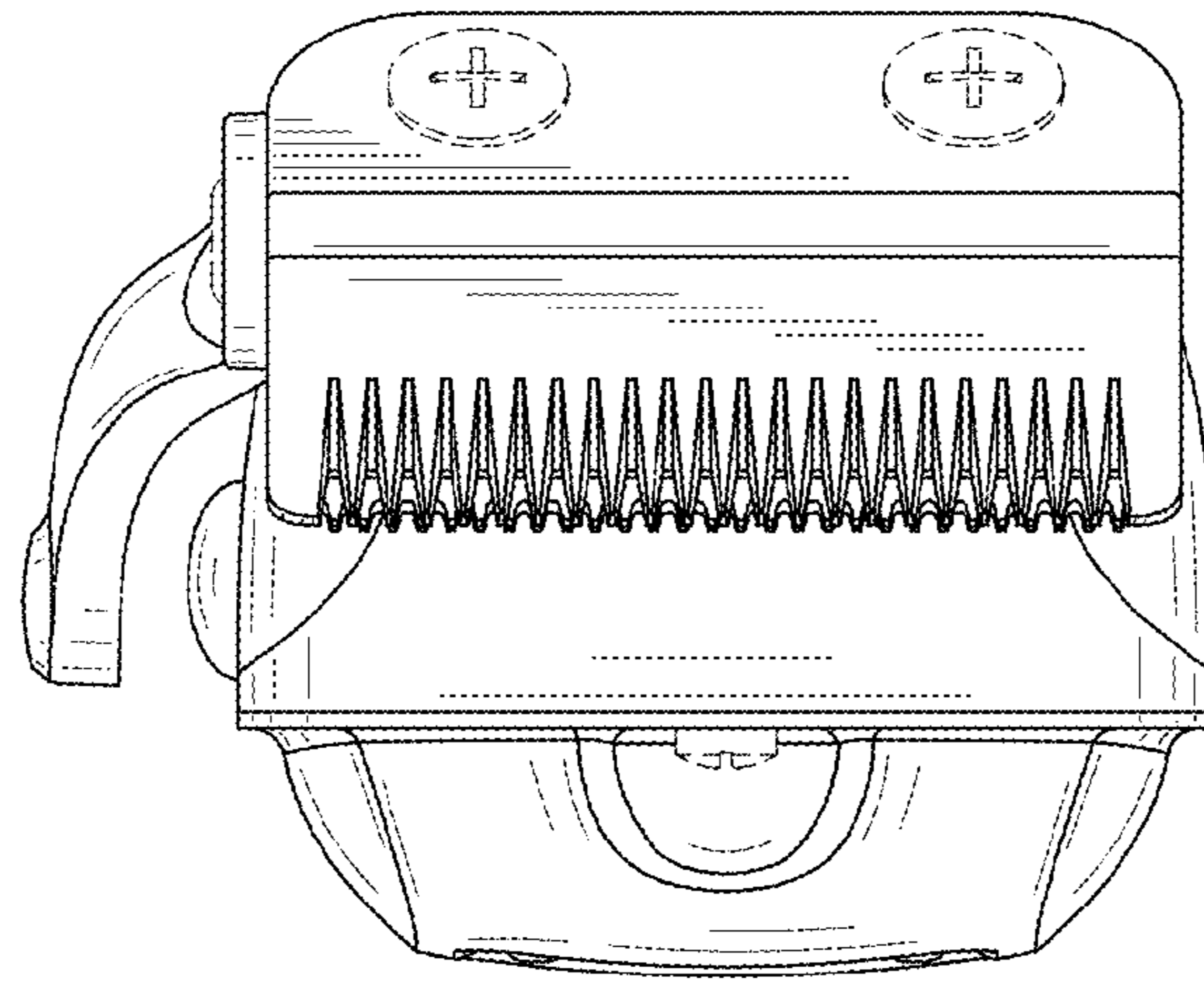


FIG.5

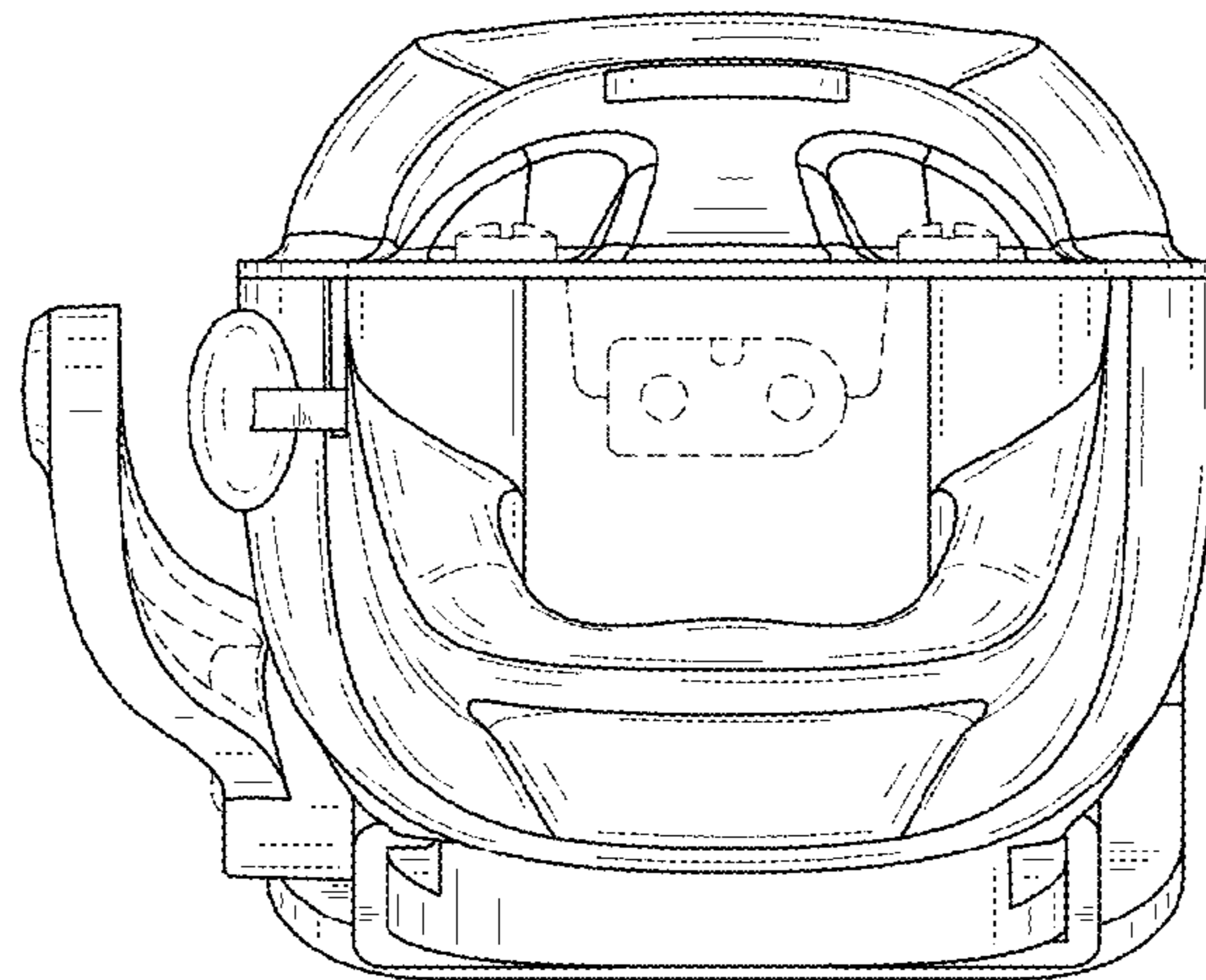


FIG.6

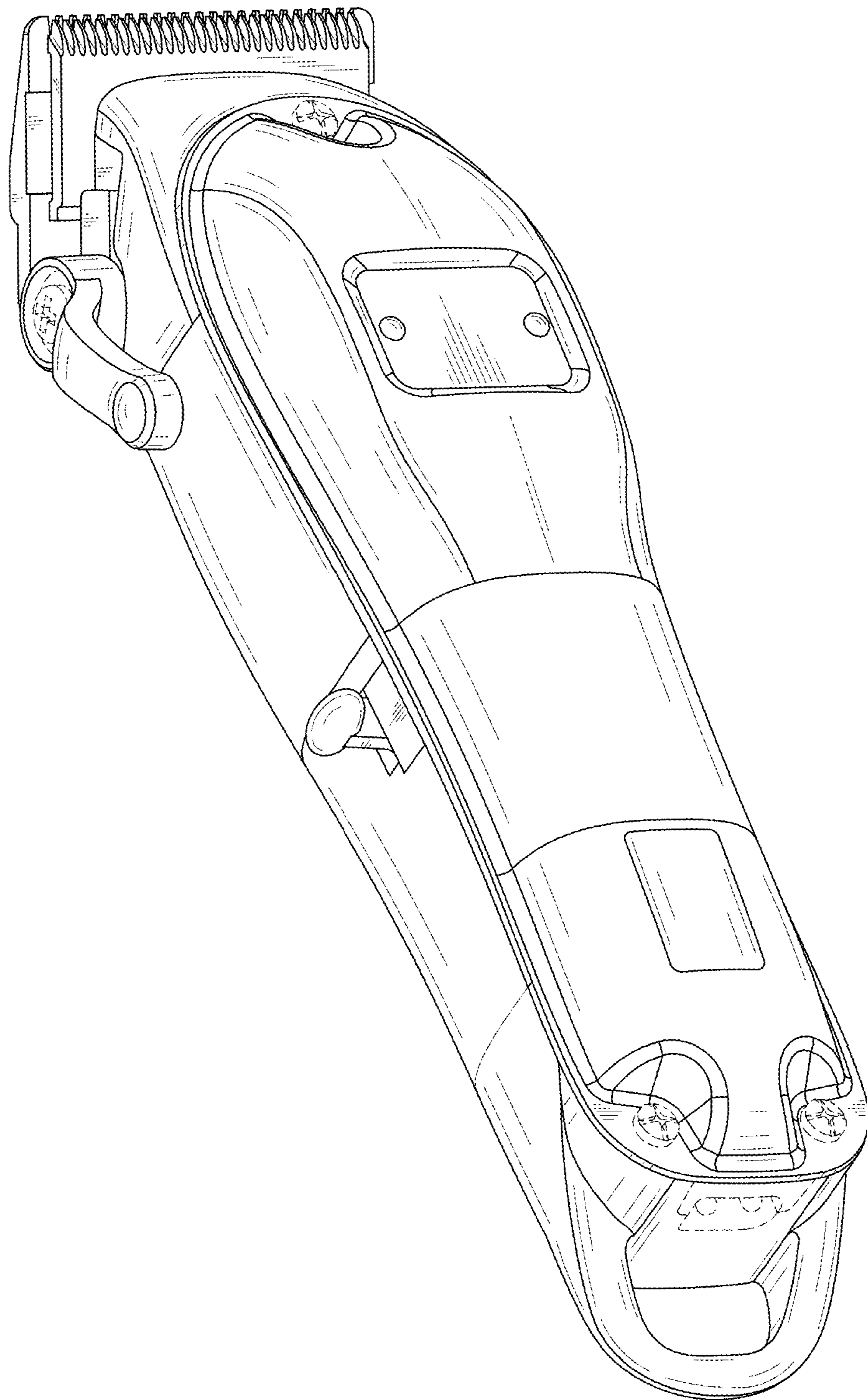


FIG.7

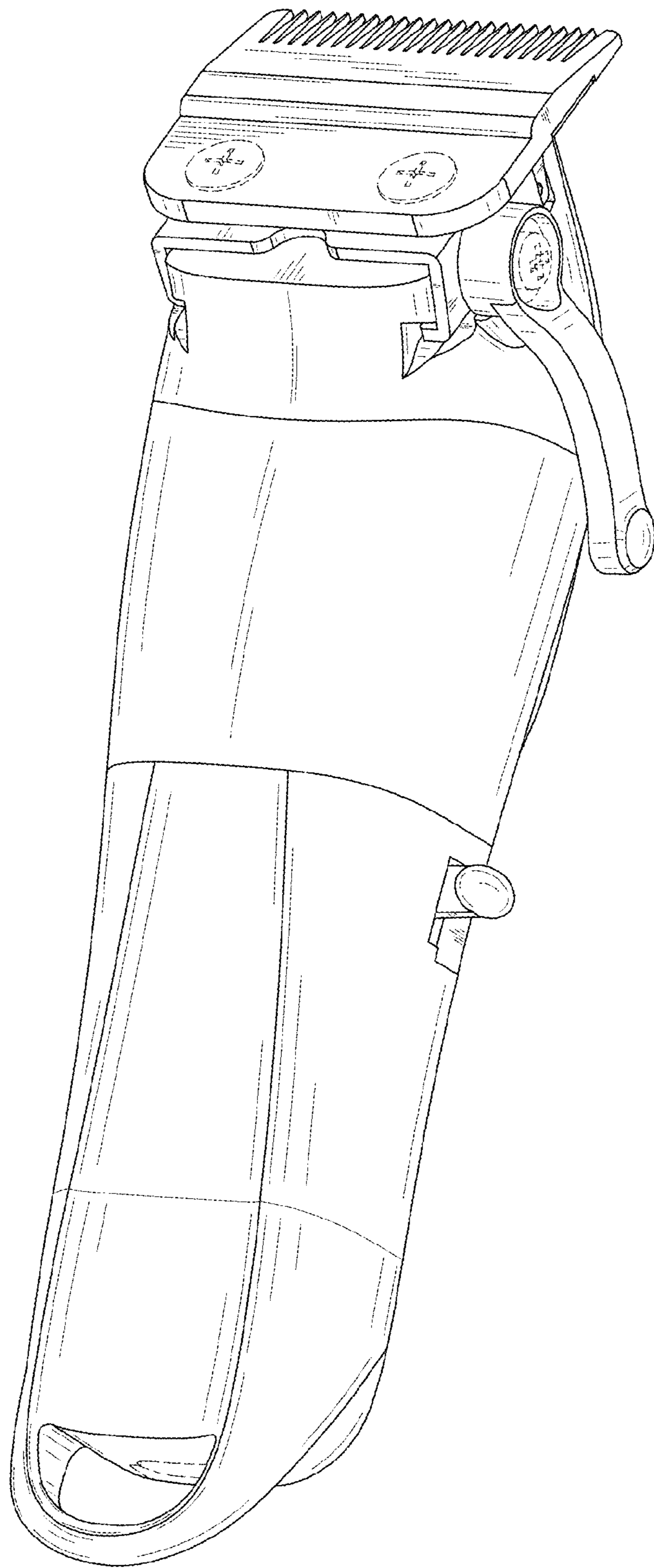


FIG.8