



US00D939772S

(12) **United States Design Patent** (10) **Patent No.:** **US D939,772 S**  
**Aizenkraft et al.** (45) **Date of Patent:** **\*\* Dec. 28, 2021**

(54) **RAZOR**  
(71) Applicants: **Haviv Aizenkraft**, Ra'anana (IL); **Ariel Grinspun**, Kfar-Saba (IL)  
(72) Inventors: **Haviv Aizenkraft**, Ra'anana (IL); **Ariel Grinspun**, Kfar-Saba (IL)  
(\*\*) Term: **15 Years**  
(21) Appl. No.: **29/714,372**  
(22) Filed: **Nov. 22, 2019**  
(30) **Foreign Application Priority Data**

Jul. 15, 2019 (IL) ..... 63938  
(51) **LOC (13) Cl.** ..... **28-03**  
(52) **U.S. Cl.**  
USPC ..... **D28/45**  
(58) **Field of Classification Search**  
USPC ..... D28/45  
CPC . B26B 21/40; B26B 21/4006; B26B 21/4012;  
B26B 21/4043; B26B 21/4068; B26B  
21/0475; B26B 21/08-10; B26B  
21/00-06; B26B 21/52-525  
See application file for complete search history.

(56) **References Cited**

**U.S. PATENT DOCUMENTS**

D207,083 S \* 2/1967 Arnold ..... D28/45  
D286,327 S \* 10/1986 Halm ..... D28/45  
4,665,615 A 5/1987 Martinez  
4,920,644 A 5/1990 LaGattuta  
D357,767 S \* 4/1995 Schwarz ..... D28/45  
5,649,364 A 7/1997 Ilanlou  
6,438,846 B1 8/2002 Alsaifi  
6,438,847 B1 8/2002 Alsaifi  
D525,390 S \* 7/2006 Barbieri ..... D28/45  
D627,517 S \* 11/2010 Ido ..... D28/45

D743,626 S \* 11/2015 Guadagno ..... D28/45  
D834,750 S \* 11/2018 Toone ..... D28/45  
D837,450 S \* 1/2019 Vukanovic ..... D28/45  
D900,392 S \* 10/2020 Sheikh ..... D28/45  
2014/0096395 A1 4/2014 Griner

**FOREIGN PATENT DOCUMENTS**

WO 2011/002266 1/2011

**OTHER PUBLICATIONS**

Barber Straight Razor, www.amazon.com, 1 page, reviewed as early as Sep. 2019 (Year: 2019).\*

\* cited by examiner

*Primary Examiner* — Jennifer Rivard

(74) *Attorney, Agent, or Firm* — Wenderoth, Lind & Ponack, L.L.P.

(57) **CLAIM**

The ornamental design for a razor, as shown and described.

**DESCRIPTION**

FIG. 1 is a closed bottom view of a razor;  
FIG. 2 is a closed top view thereof;  
FIG. 3 is a partially open front view thereof;  
FIG. 4 is a closed front/right perspective view thereof;  
FIG. 5 is a partially open rear/left perspective view thereof;  
FIG. 6 is a completely open rear/left perspective view thereof;  
FIG. 7 is a completely open front/right perspective view thereof;  
FIG. 8 is a closed left side view thereof;  
FIG. 9 is a partially open left side view thereof;  
FIG. 10 is a completely open left side view thereof;  
FIG. 11 is a partially open right side view thereof; and,  
FIG. 12 is a completely open right side view thereof.

**1 Claim, 12 Drawing Sheets**

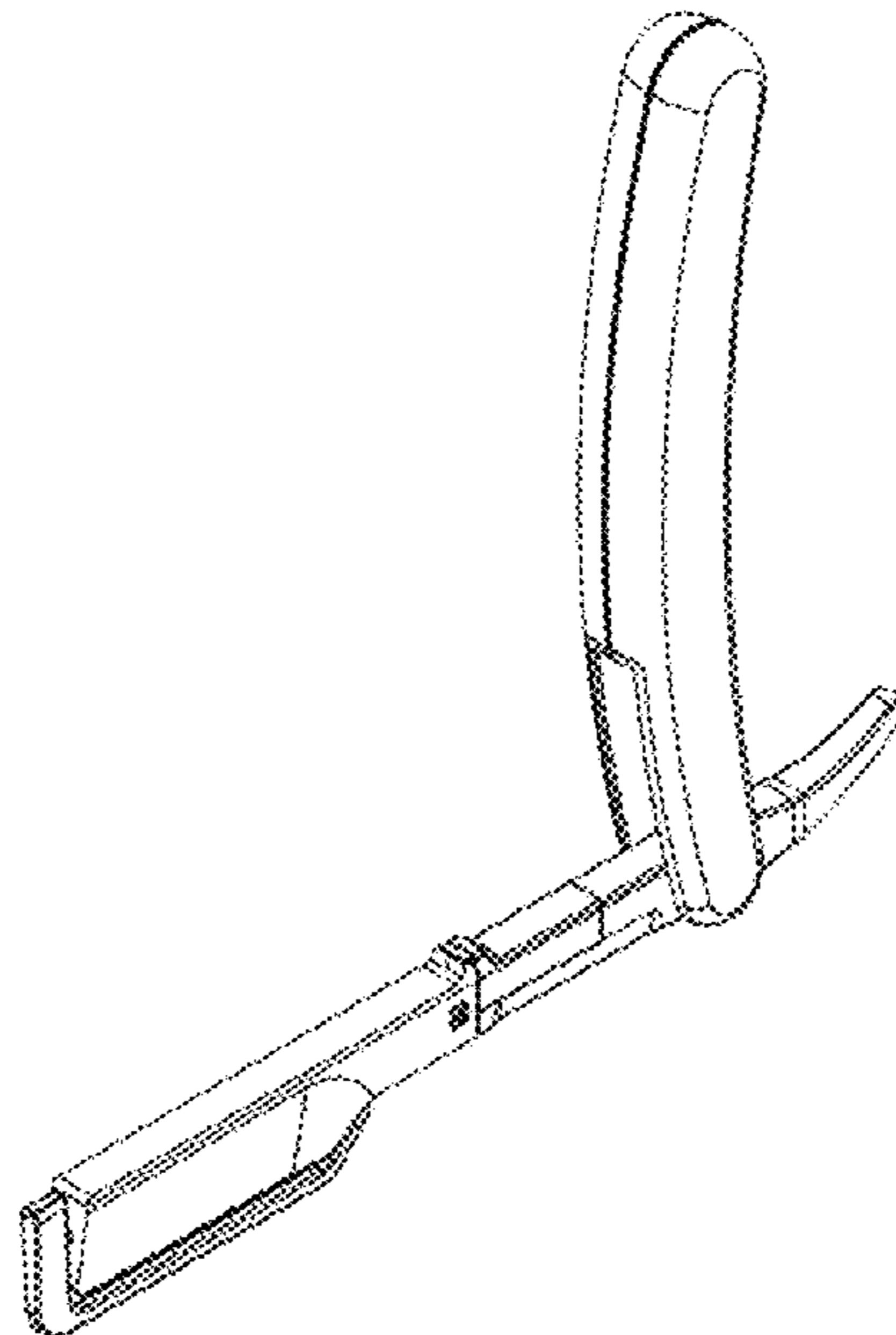


FIG. 1

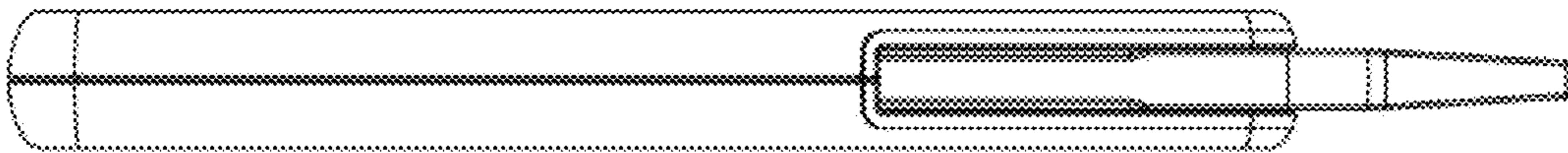


FIG. 2

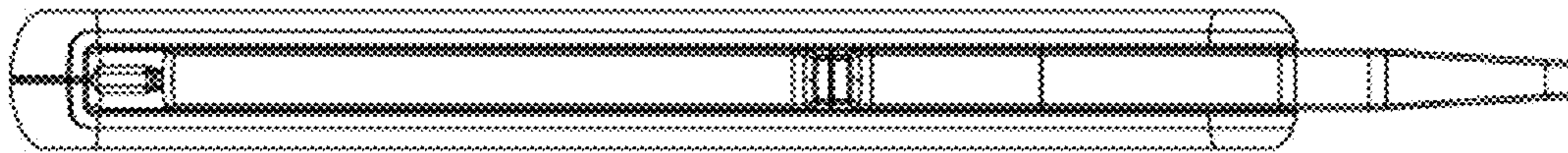


FIG. 3

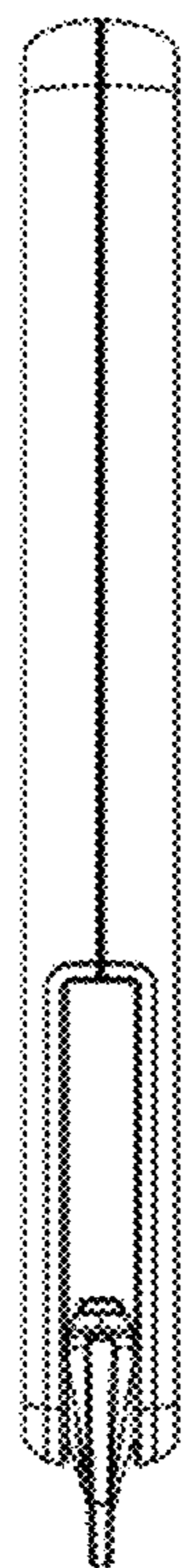


FIG .4

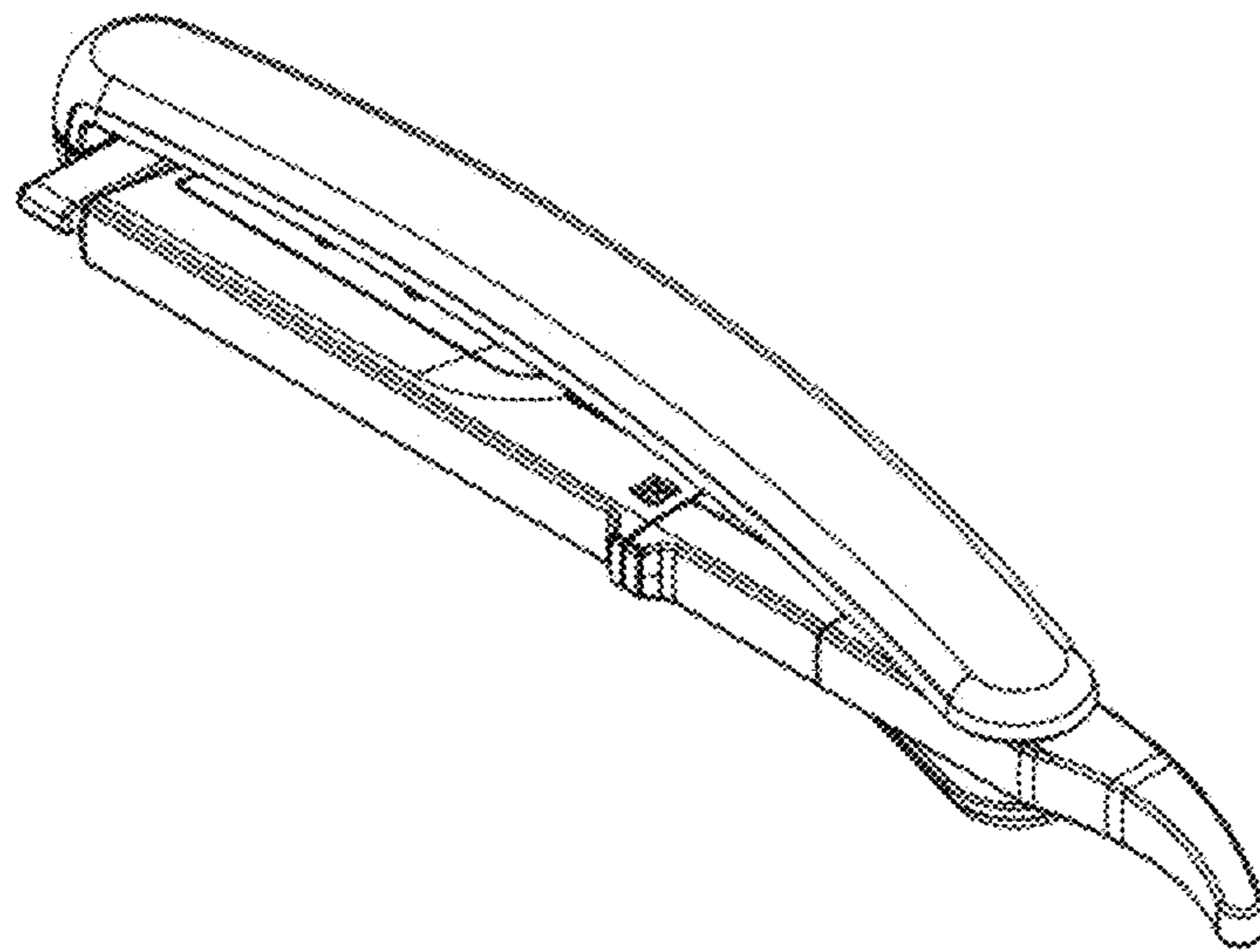


FIG. 5

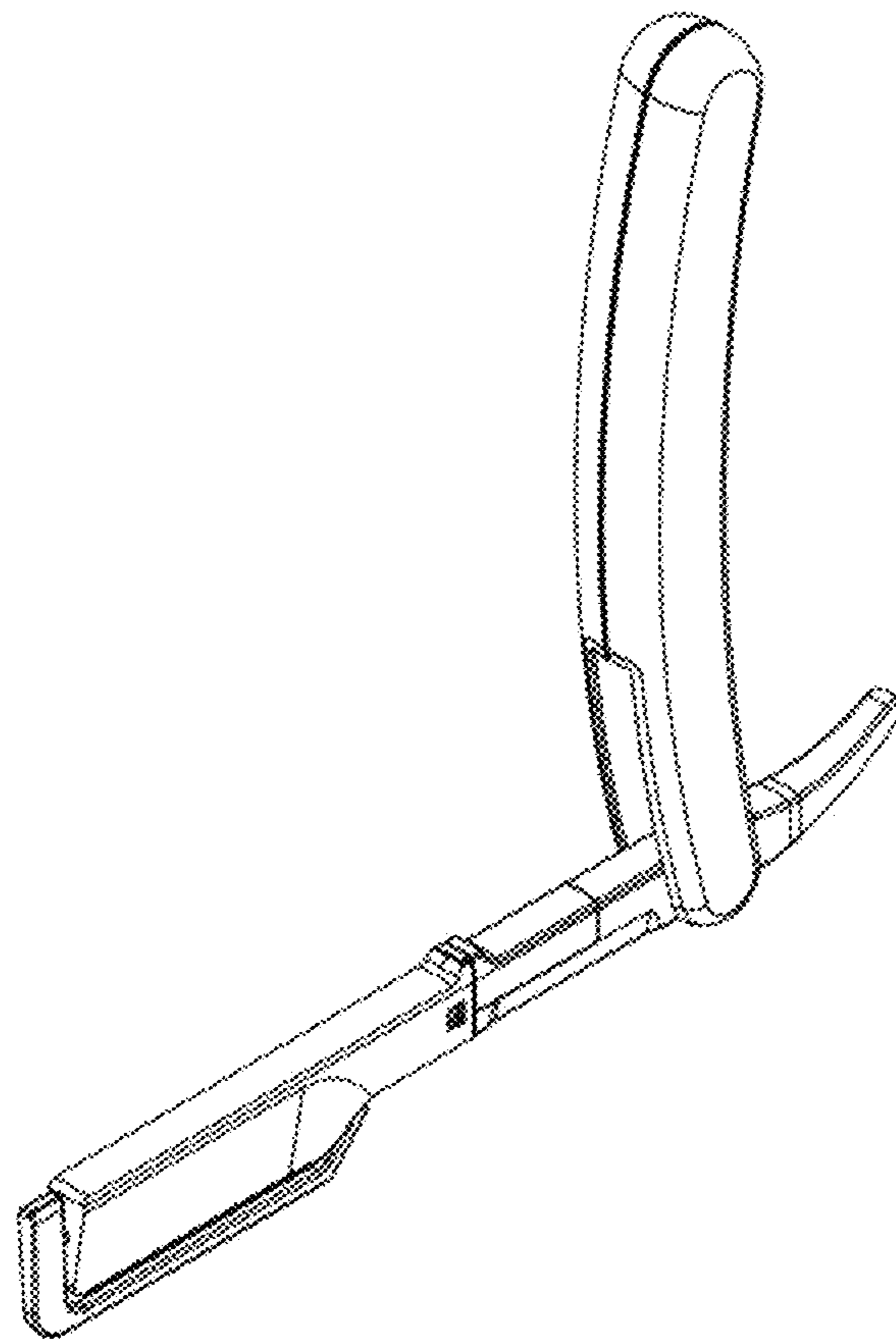


FIG. 6

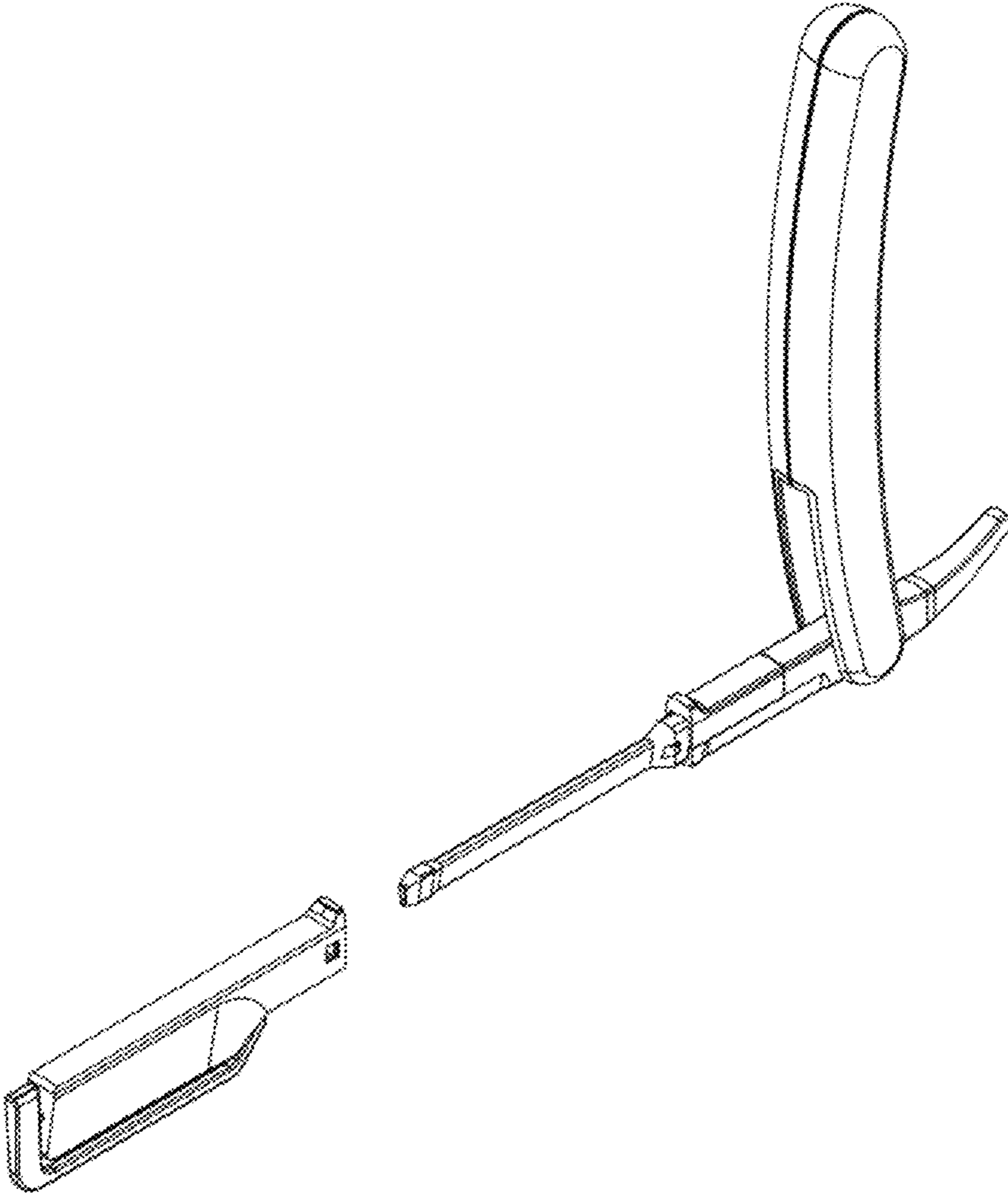


FIG. 7

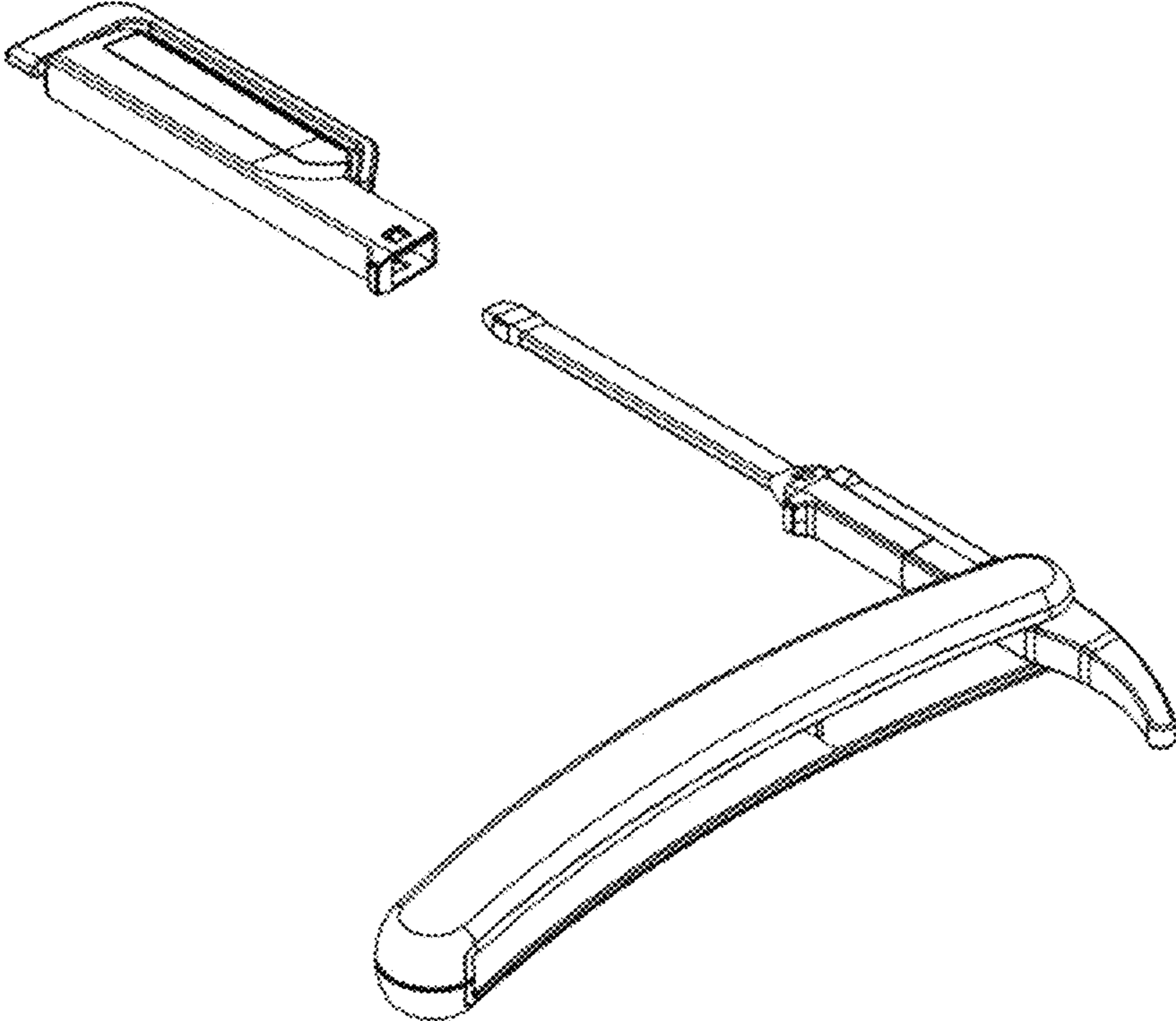




FIG. 8

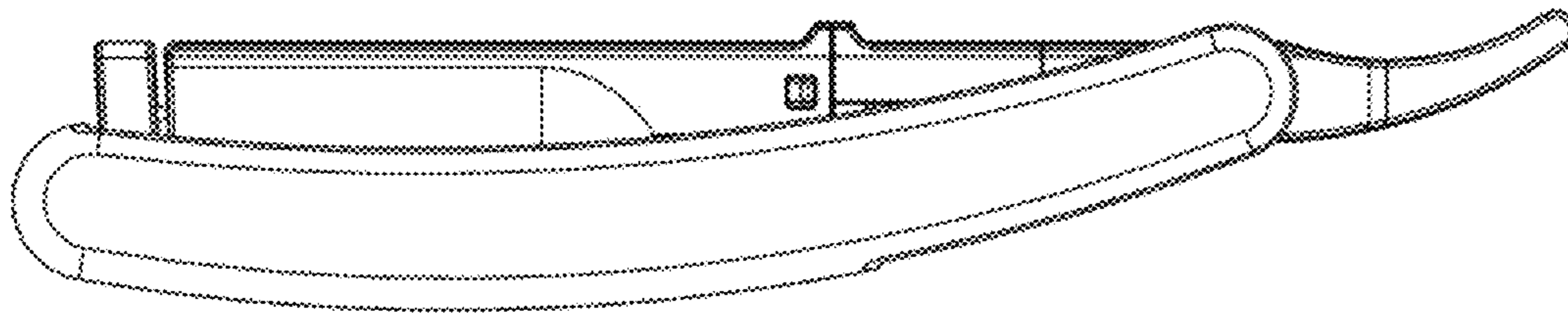


FIG. 9

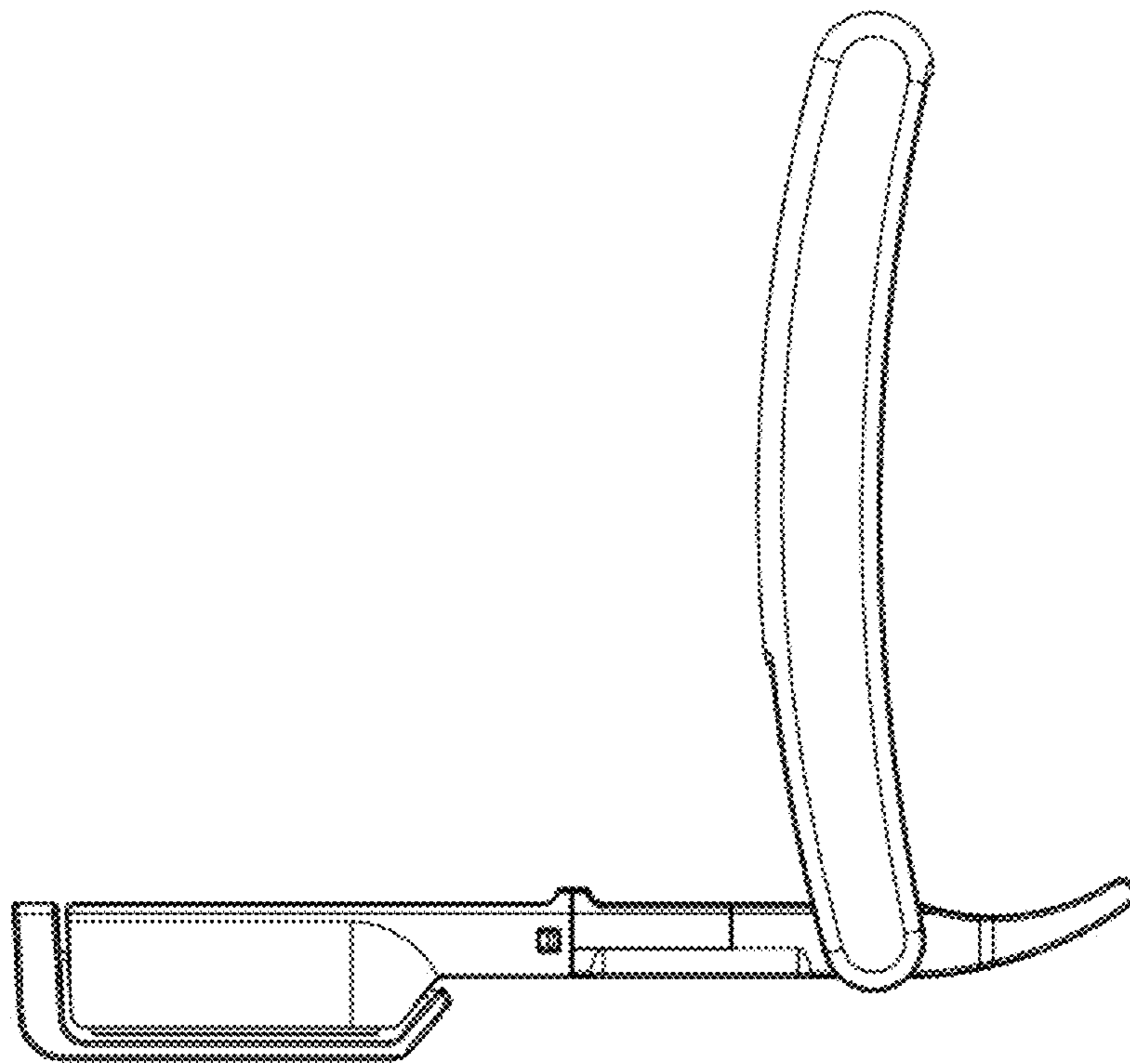


FIG. 10

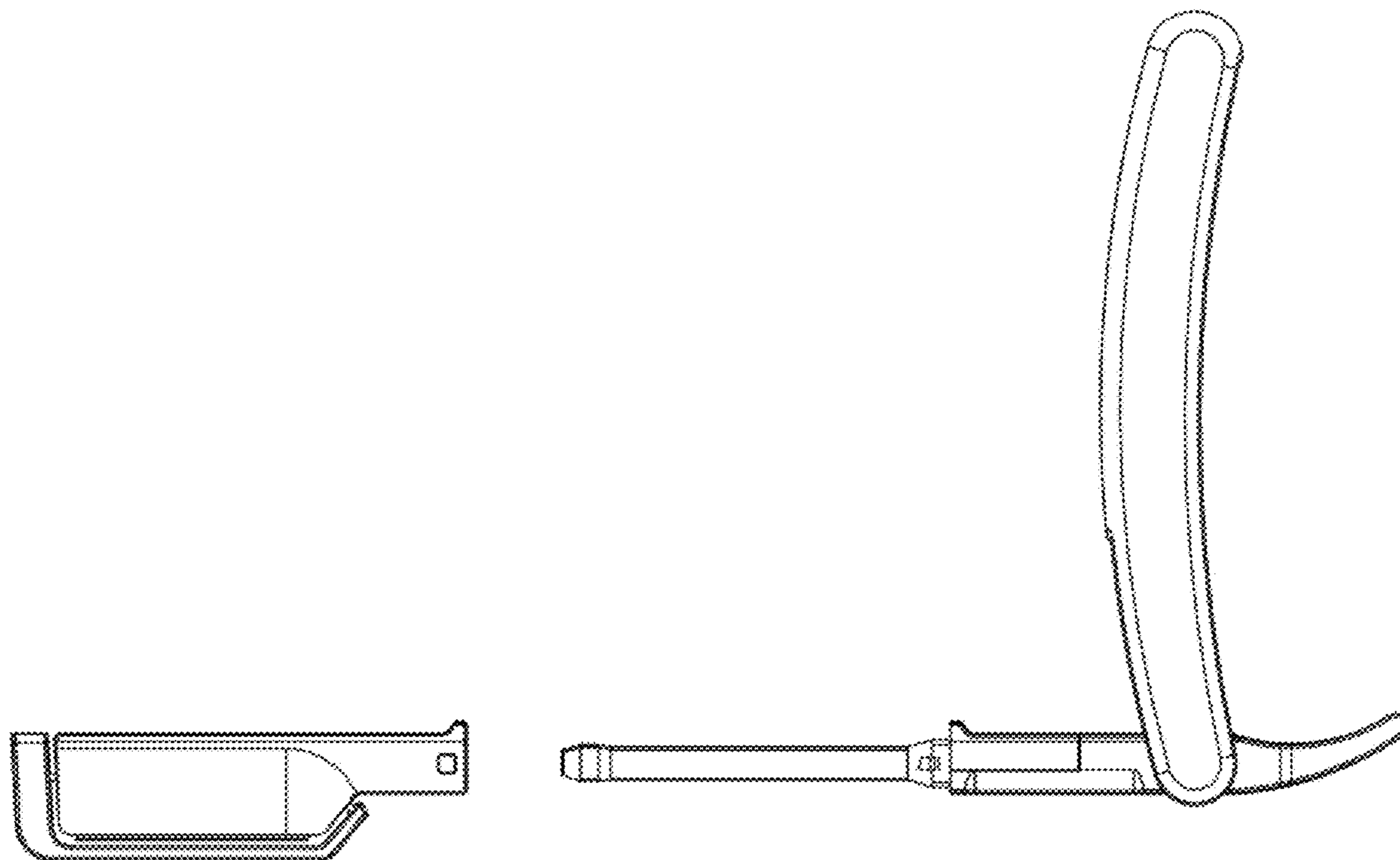


FIG. 11

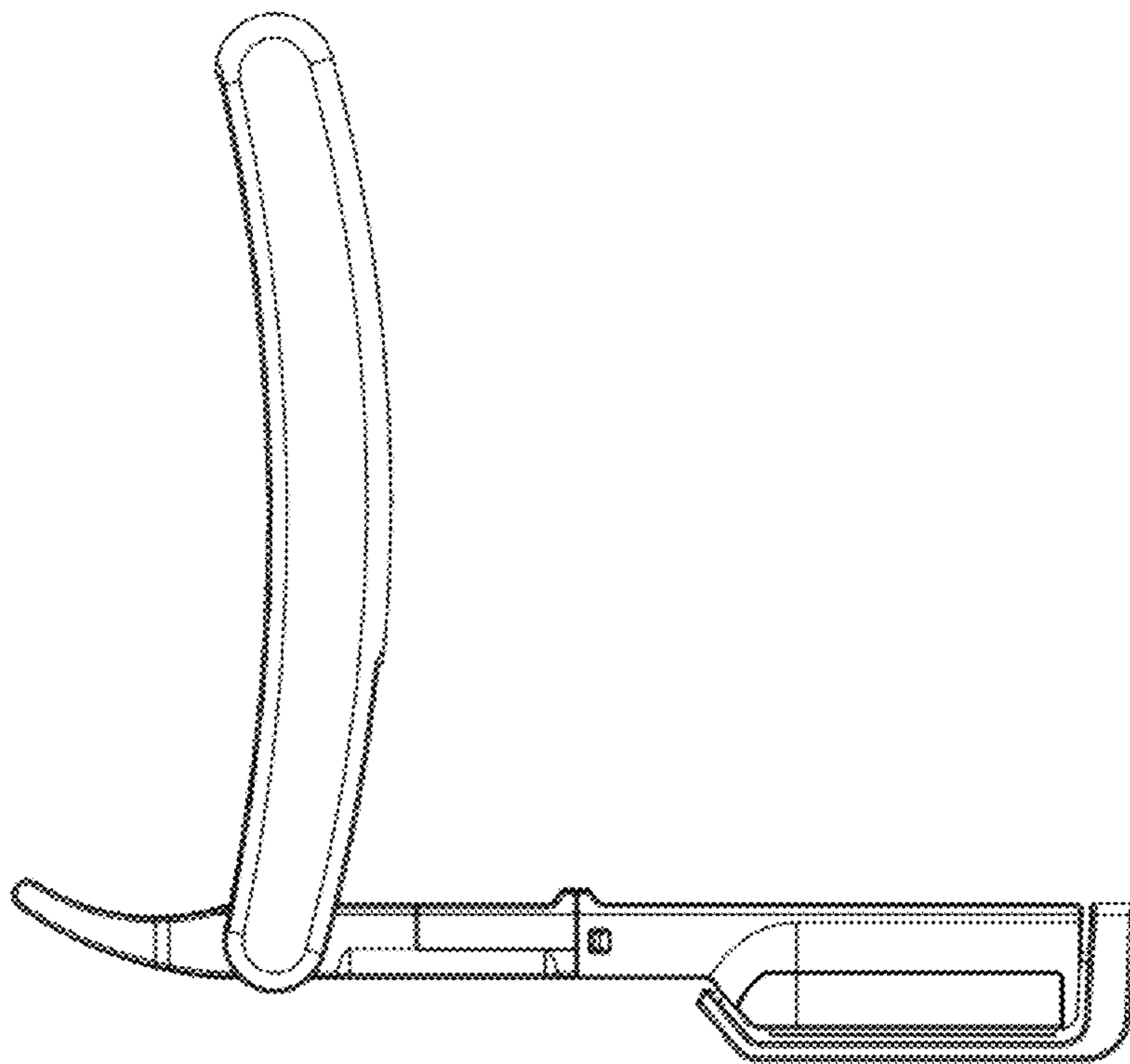


FIG. 12

