

US00D939771S

(12) **United States Design Patent** (10) **Patent No.:** **US D939,771 S**  
**Litwinowicz** (45) **Date of Patent:** **\*\* Dec. 28, 2021**

(54) **HAIR CUTTING GUIDE** 2014/0033442 A1\* 2/2014 Bethea ..... B26B 21/525  
7/158  
(71) Applicant: **Anthony Stefan Litwinowicz**, Derby, 2015/0320172 A1\* 11/2015 Spencer ..... B26B 21/12  
CT (US) 30/30  
2016/0015145 A1\* 1/2016 Torres ..... A45D 44/02  
132/213  
(72) Inventor: **Anthony Stefan Litwinowicz**, Derby, 2021/0177119 A1\* 6/2021 Litwinowicz ..... A45D 24/36  
CT (US)

(\*\*) Term: **15 Years**

(21) Appl. No.: **29/763,294**

(22) Filed: **Dec. 22, 2020**

(51) **LOC (13) Cl.** ..... **28-03**

(52) **U.S. Cl.**  
USPC ..... **D28/44.2**

(58) **Field of Classification Search**  
USPC ..... D28/9, 44, 44.2, 45, 54, 99; D8/98, 105,  
D8/107  
CPC ..... A45D 24/36; A45D 44/00  
See application file for complete search history.

(56) **References Cited**

**U.S. PATENT DOCUMENTS**

- 1,504,436 A \* 8/1924 Daughley ..... A45D 24/36  
132/214
- 2,749,922 A \* 6/1956 Daniel ..... A45D 24/36  
132/214
- 3,858,589 A \* 1/1975 Geiger ..... A45D 24/36  
132/214
- 5,494,057 A \* 2/1996 Gianfrancesco ..... A45D 24/36  
132/200
- D547,005 S \* 7/2007 Granito ..... D28/25
- 7,252,094 B2 \* 8/2007 Maynard ..... A45D 24/36  
132/214
- 8,783,267 B2 \* 7/2014 Allen ..... A45D 24/36  
132/214
- D768,332 S \* 10/2016 Esnard ..... D28/44.2
- D785,869 S \* 5/2017 Esnard ..... D28/44.2

**OTHER PUBLICATIONS**

HairFin Haircut Tool Kit, HairFin, reviewed on Jul. 11, 2020 on amazon.com, retrieved on Oct. 25, 2021, retrieved from the Internet URL : [https://www.amazon.com/gp/product/B08BY22TN1/ref=as\\_li\\_tl?ie=UTF8&camp=1789&creative=9325&creativeASIN=B08BY22TN1&linkCode=as2&ta%E2%80%A6](https://www.amazon.com/gp/product/B08BY22TN1/ref=as_li_tl?ie=UTF8&camp=1789&creative=9325&creativeASIN=B08BY22TN1&linkCode=as2&ta%E2%80%A6).\*

\* cited by examiner

*Primary Examiner* — Jennifer Rivard  
*Assistant Examiner* — Alison M Ofstun

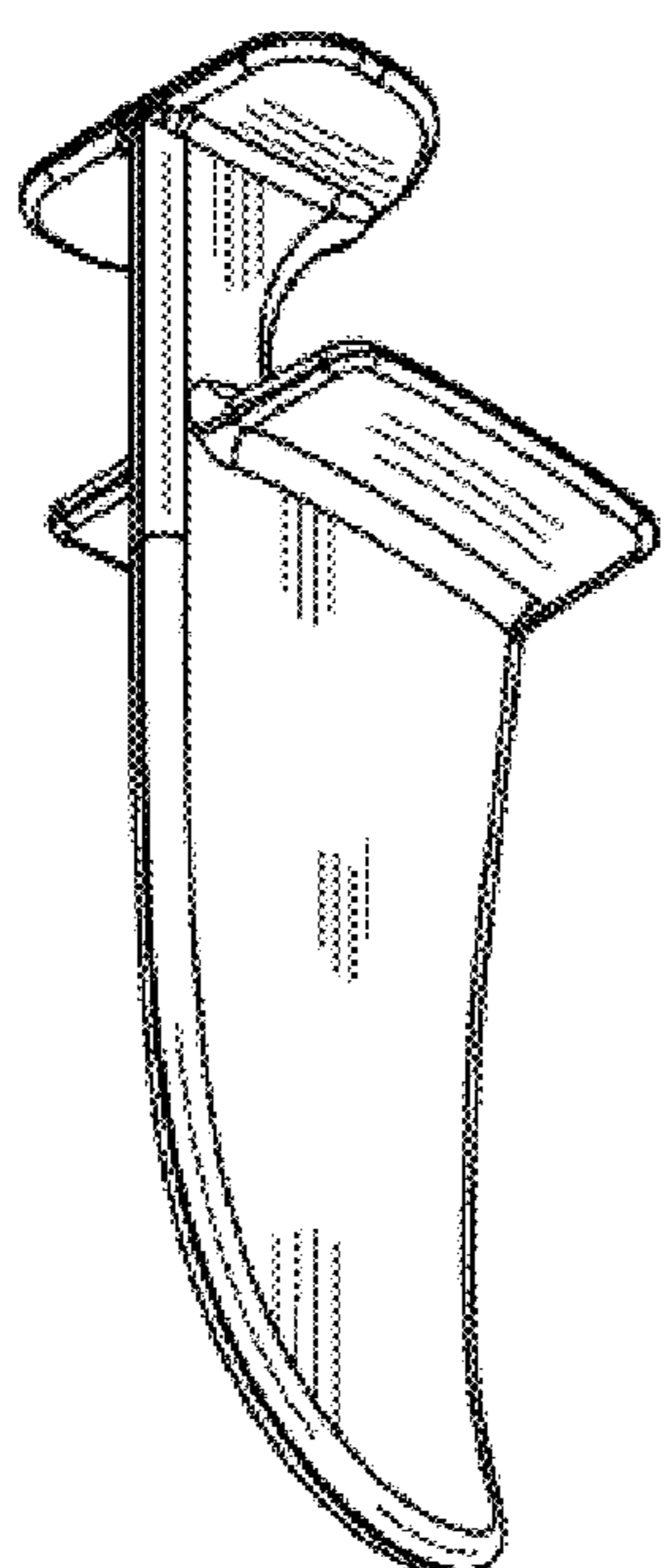
(57) **CLAIM**

The ornamental design for a hair cutting guide, as shown.

**DESCRIPTION**

FIG. 1 is a bottom right perspective view of a hair cutting guide showing my new design;  
FIG. 2 is a top left perspective view thereof;  
FIG. 3 is a right side elevational view thereof;  
FIG. 4 is a left side elevational view thereof;  
FIG. 5 is a front side elevational view thereof;  
FIG. 6 is a back side elevational view thereof;  
FIG. 7 is a top plan view thereof; and,  
FIG. 8 is a bottom plan view thereof.

**1 Claim, 8 Drawing Sheets**



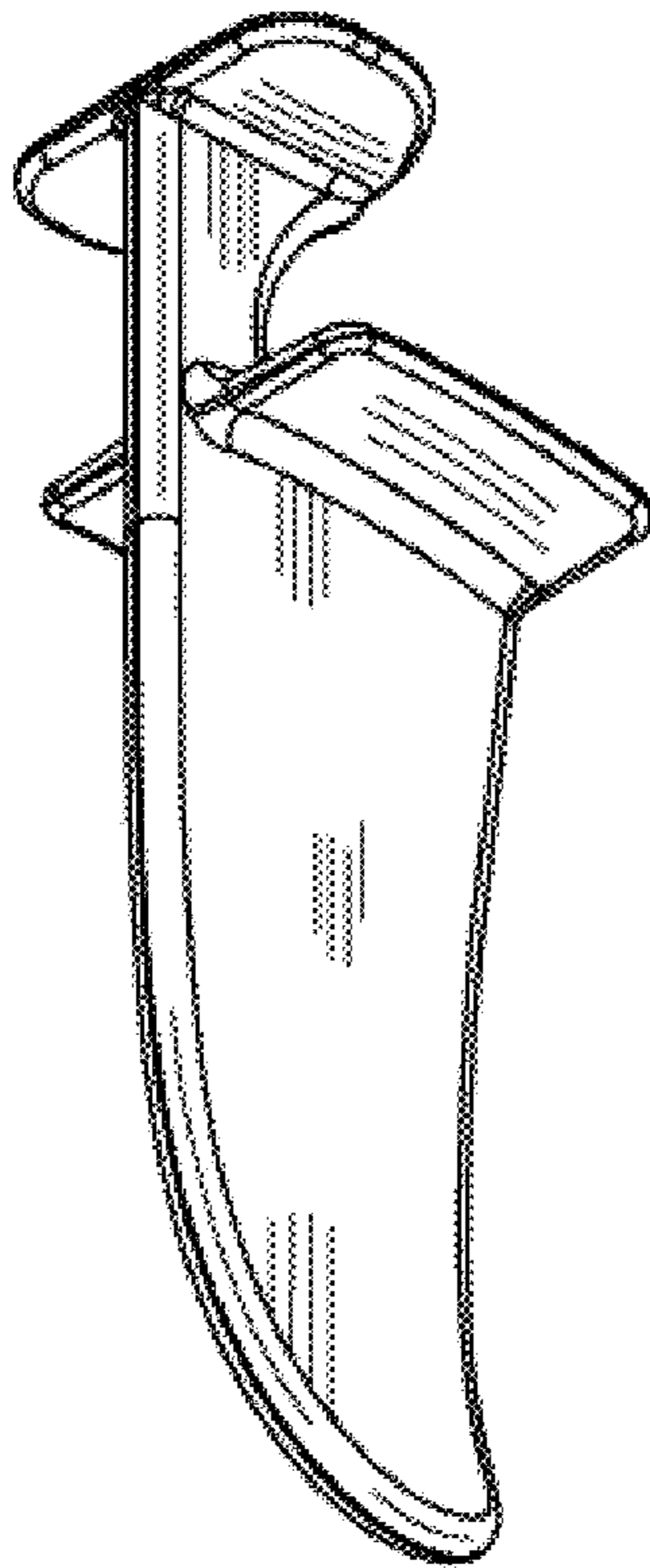


Fig. 1

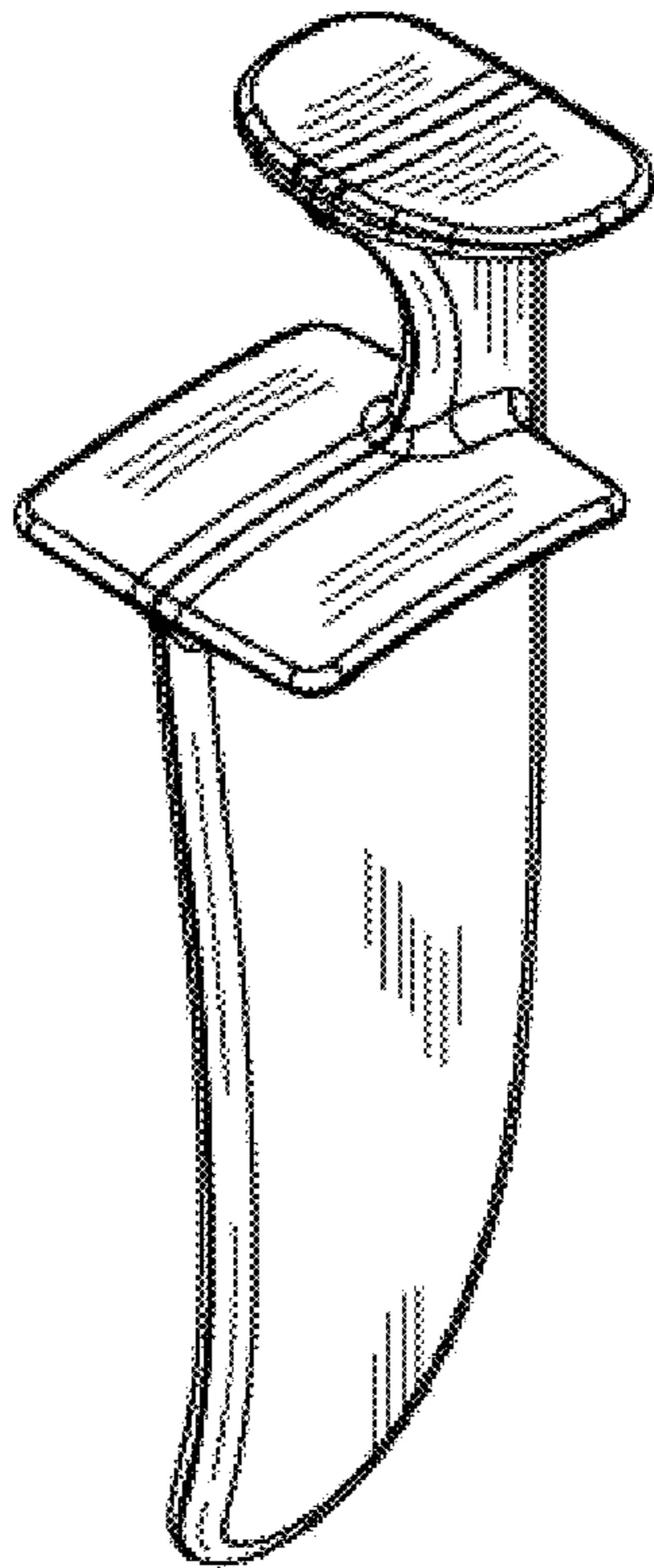


Fig. 2

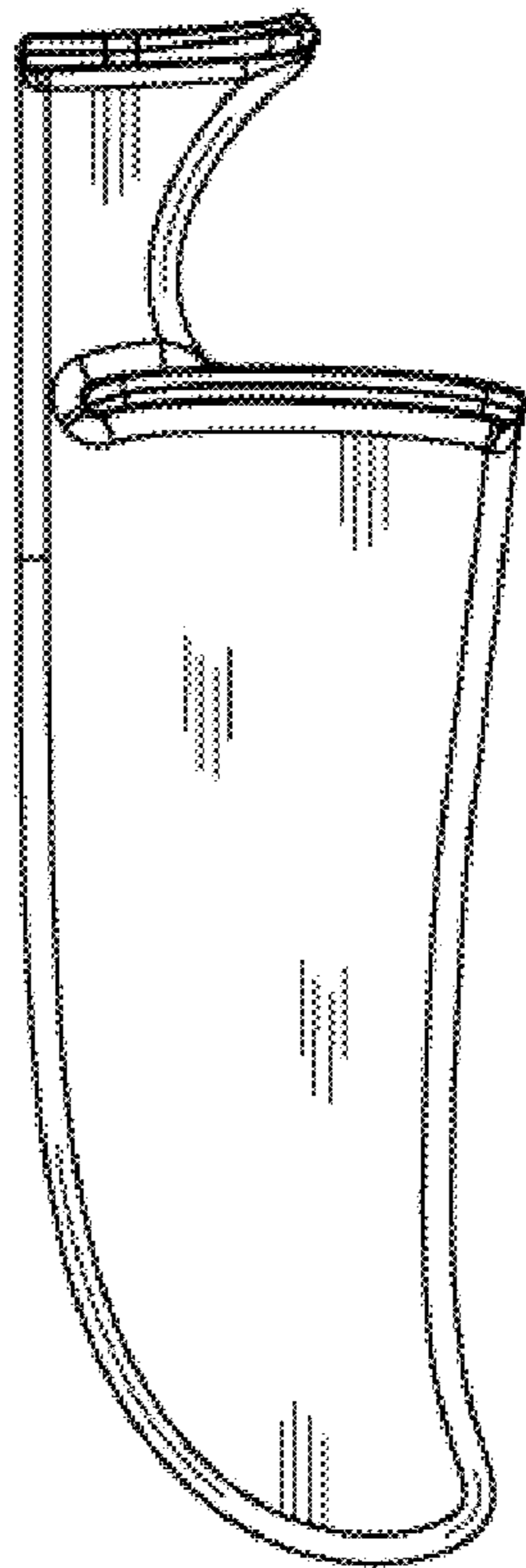


Fig. 3

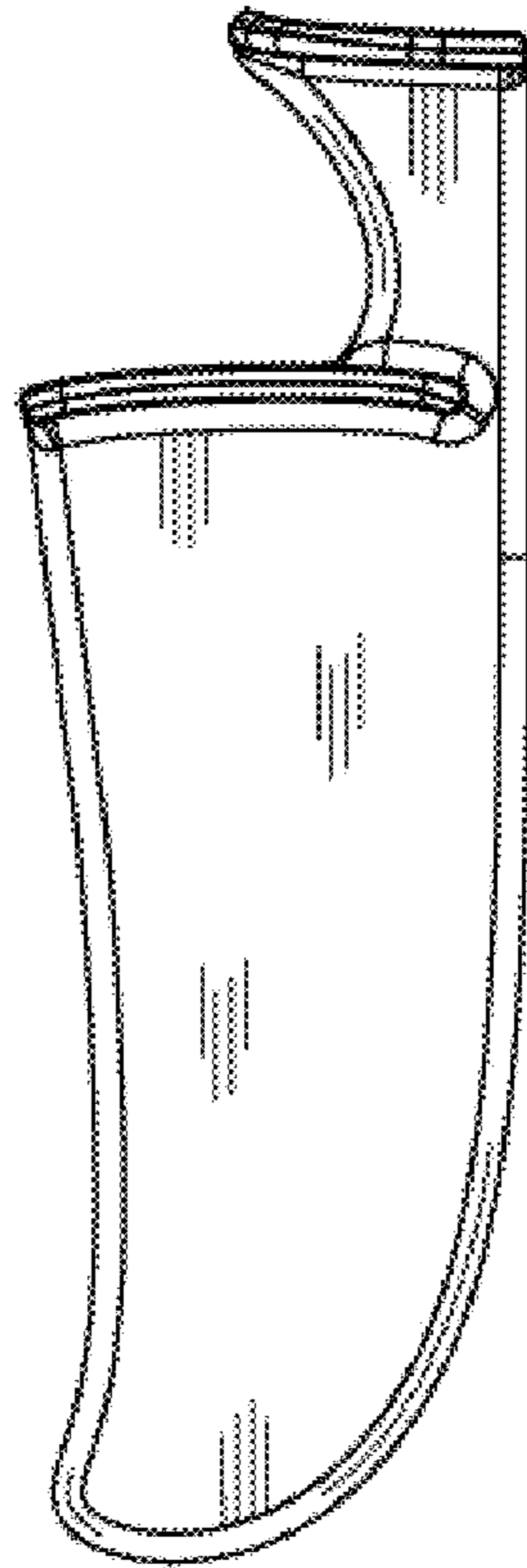


Fig. 4

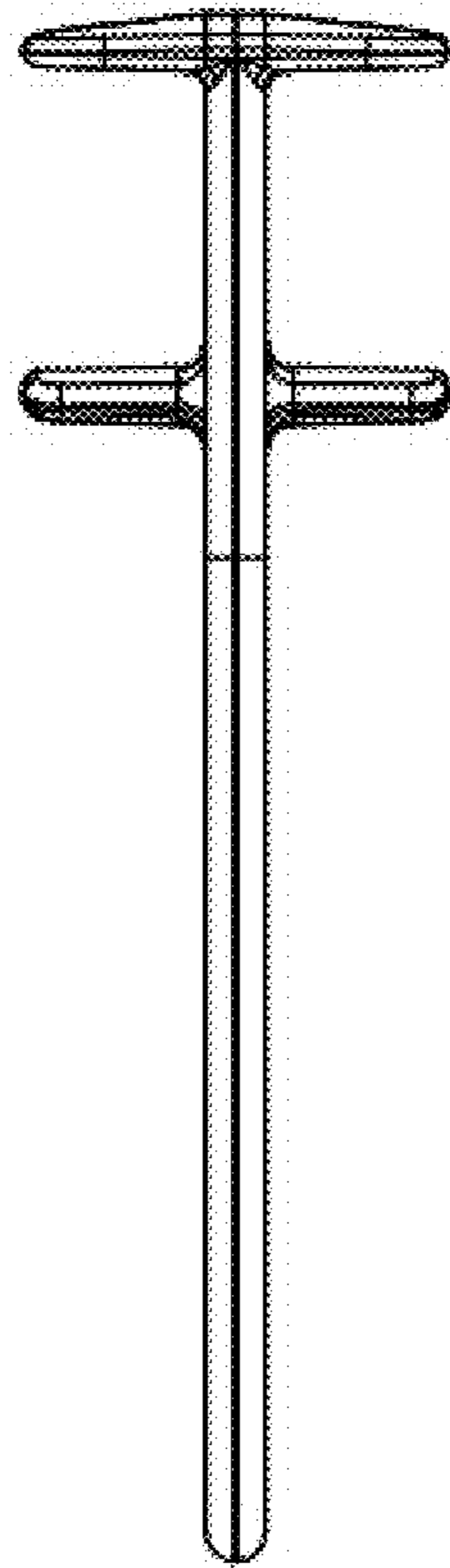


Fig. 5

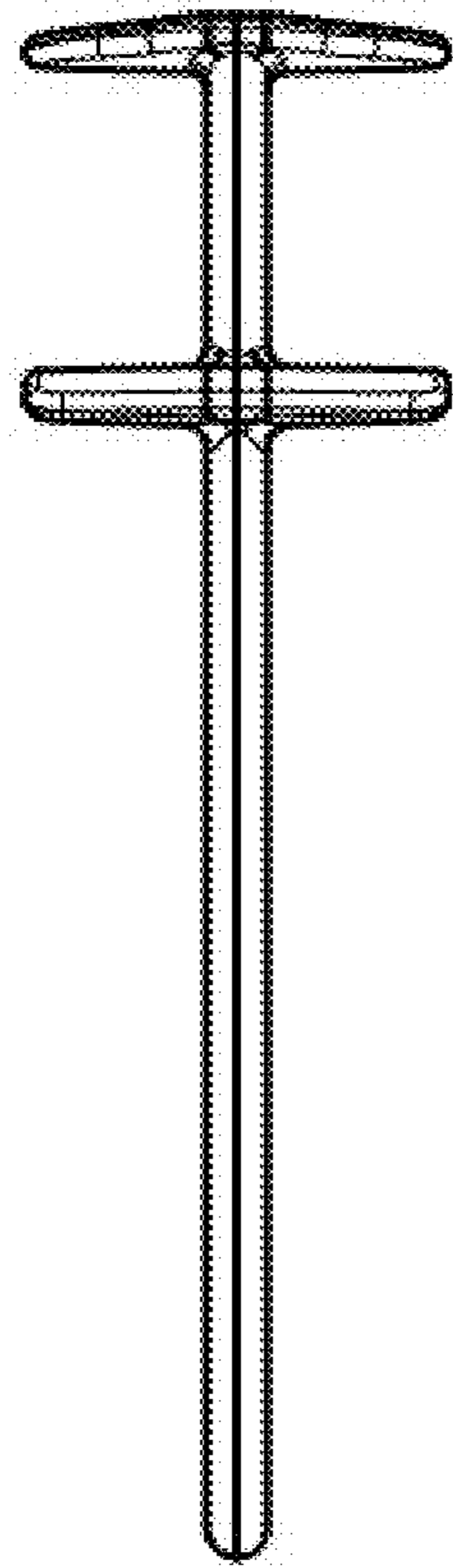


Fig. 6

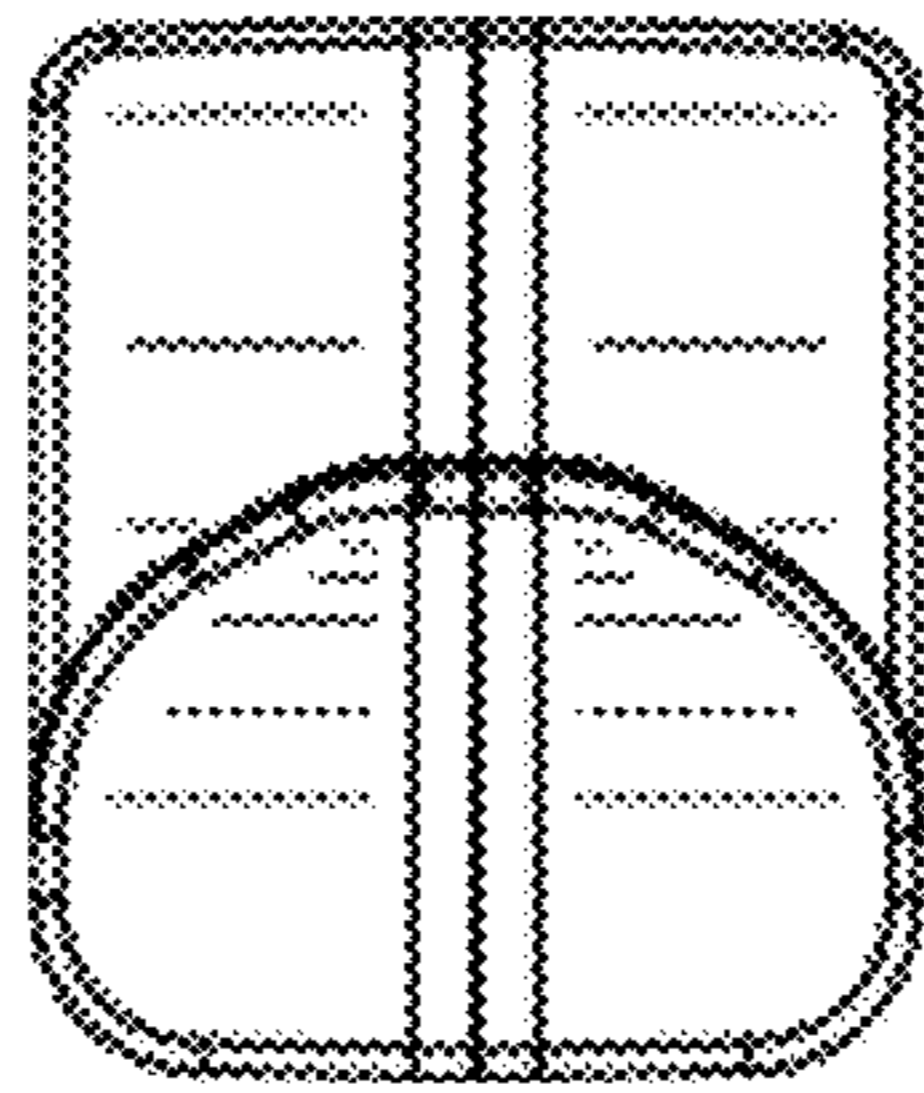


Fig. 7



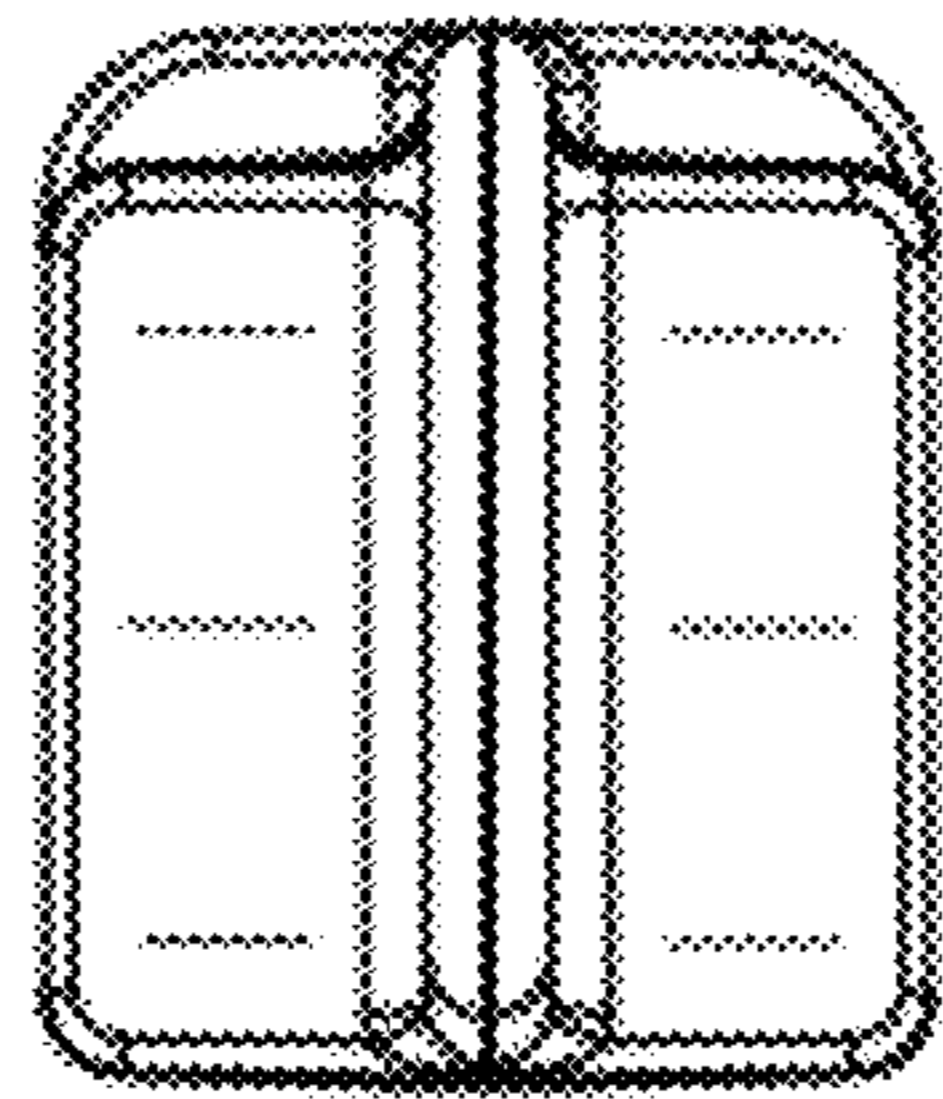


Fig. 8