



US00D939769S

(12) **United States Design Patent** (10) **Patent No.:** **US D939,769 S**
Yao (45) **Date of Patent:** **** Dec. 28, 2021**

(54) **HAIR REMOVAL DEVICE**
(71) Applicant: **Mango Technology Inc**, Colorado Springs, CO (US)
(72) Inventor: **Mengping Yao**, Shenzhen (CN)
(**) Term: **15 Years**
(21) Appl. No.: **29/724,721**
(22) Filed: **Feb. 19, 2020**
(51) **LOC (13) Cl.** **28-03**
(52) **U.S. Cl.**
USPC **D28/44.1; D24/209; D24/214**
(58) **Field of Classification Search**
USPC D28/44.1; D24/209, 214
CPC A61B 2018/0047; A61B 2018/0452; A61B 2018/202; A61B 2018/0476; A61B 18/18; A61B 18/02; A61B 18/30; A61B 2018/00315; A61B 2018/00476; A45D 26/0023-0038; A45D 26/0004-0009; A45D 26/0057
See application file for complete search history.

D865,289 S * 10/2019 Huang D28/44.1
D873,487 S * 1/2020 Nir D28/44.1
D895,206 S * 9/2020 Huang D28/44.1
D895,207 S * 9/2020 Huang D28/44.1
D895,897 S * 9/2020 Huang D28/44.1
D908,957 S * 1/2021 Huang D28/44.1
D912,323 S * 3/2021 An D28/44.1

OTHER PUBLICATIONS

IPL Laser Hair Removal by ALUSHEE, www.amazon.com, 1 page, downloaded Sep. 1, 2021 (Year: 2021).*

* cited by examiner

Primary Examiner — Jennifer Rivard

(57) **CLAIM**

The ornamental design for a hair removal device, as shown and described.

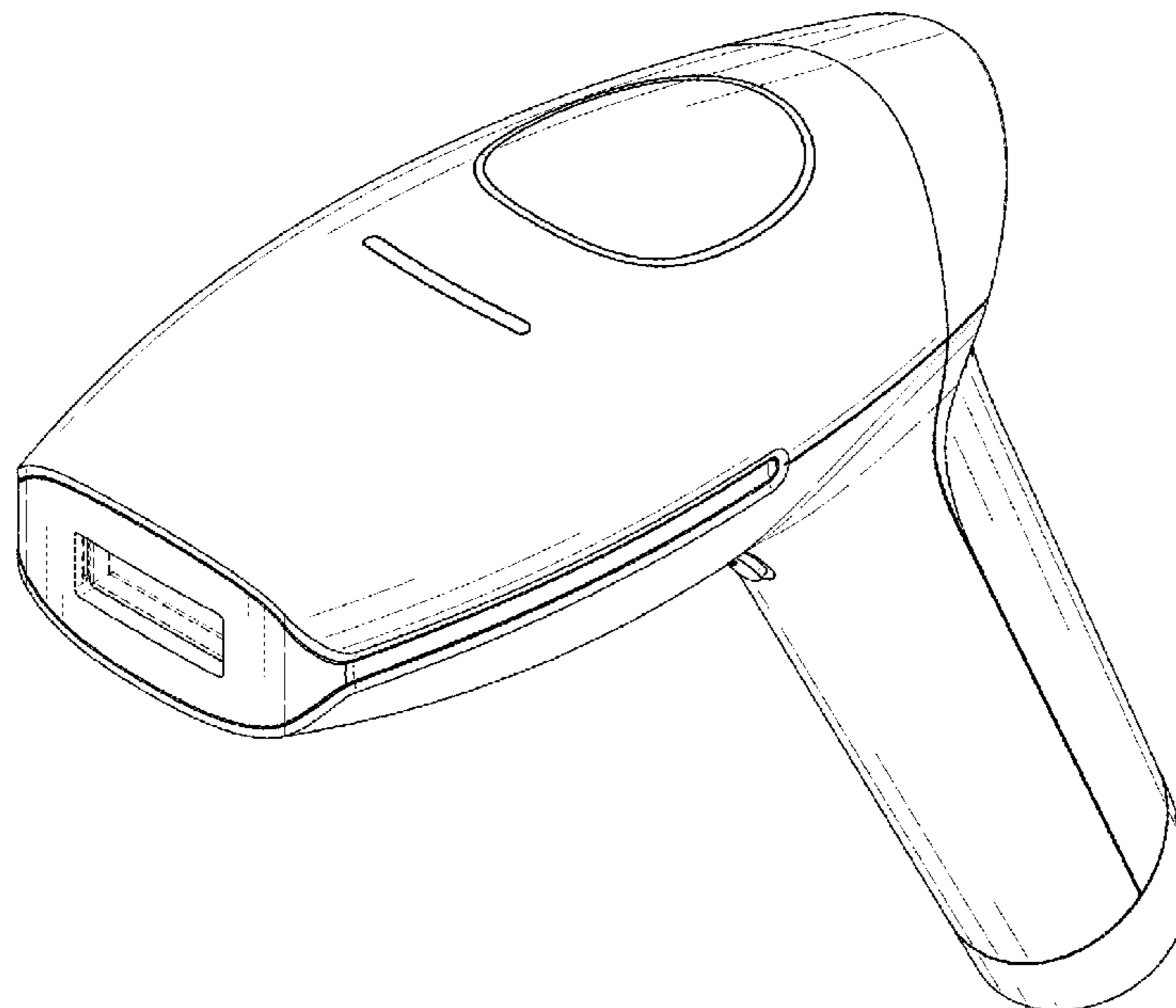
DESCRIPTION

FIG. 1 is a front and top perspective view of a hair removal device, showing my, new design;
FIG. 2 is a rear and bottom perspective view thereof;
FIG. 3 is a front elevational view thereof;
FIG. 4 is a rear elevational view thereof;
FIG. 5 is a left side elevational view thereof;
FIG. 6 is a right side elevational view thereof;
FIG. 7 is a top plan view thereof;
FIG. 8 is a bottom plan view thereof; and,
FIG. 9 is a perspective view thereof showing the hair removal device connected with a base.
The broken lines, in the figures illustrate portions of the hair removal device that form no part of the claimed design. The broken lines in the FIG. 9 showing of the base depict environmental structure that form no part of the claimed design.

(56) **References Cited**
U.S. PATENT DOCUMENTS

D535,746 S * 1/2007 Grove D24/144
D589,650 S * 3/2009 Adriaenssen D24/133
D653,811 S * 2/2012 BenZion D28/44.1
D660,974 S * 5/2012 Jones D24/209
D705,939 S * 5/2014 Bradley D24/209
D706,980 S * 6/2014 Tasar D28/44.1
D808,076 S * 1/2018 Gabriele D28/44.1
D827,929 S * 9/2018 Mathieu D28/44
D843,656 S * 3/2019 Zhang D28/44.1
D844,896 S * 4/2019 Levi D28/44.1
D863,571 S * 10/2019 Yang D24/200
D863,578 S * 10/2019 Yan D24/209
D864,405 S * 10/2019 Yan D24/209

1 Claim, 9 Drawing Sheets



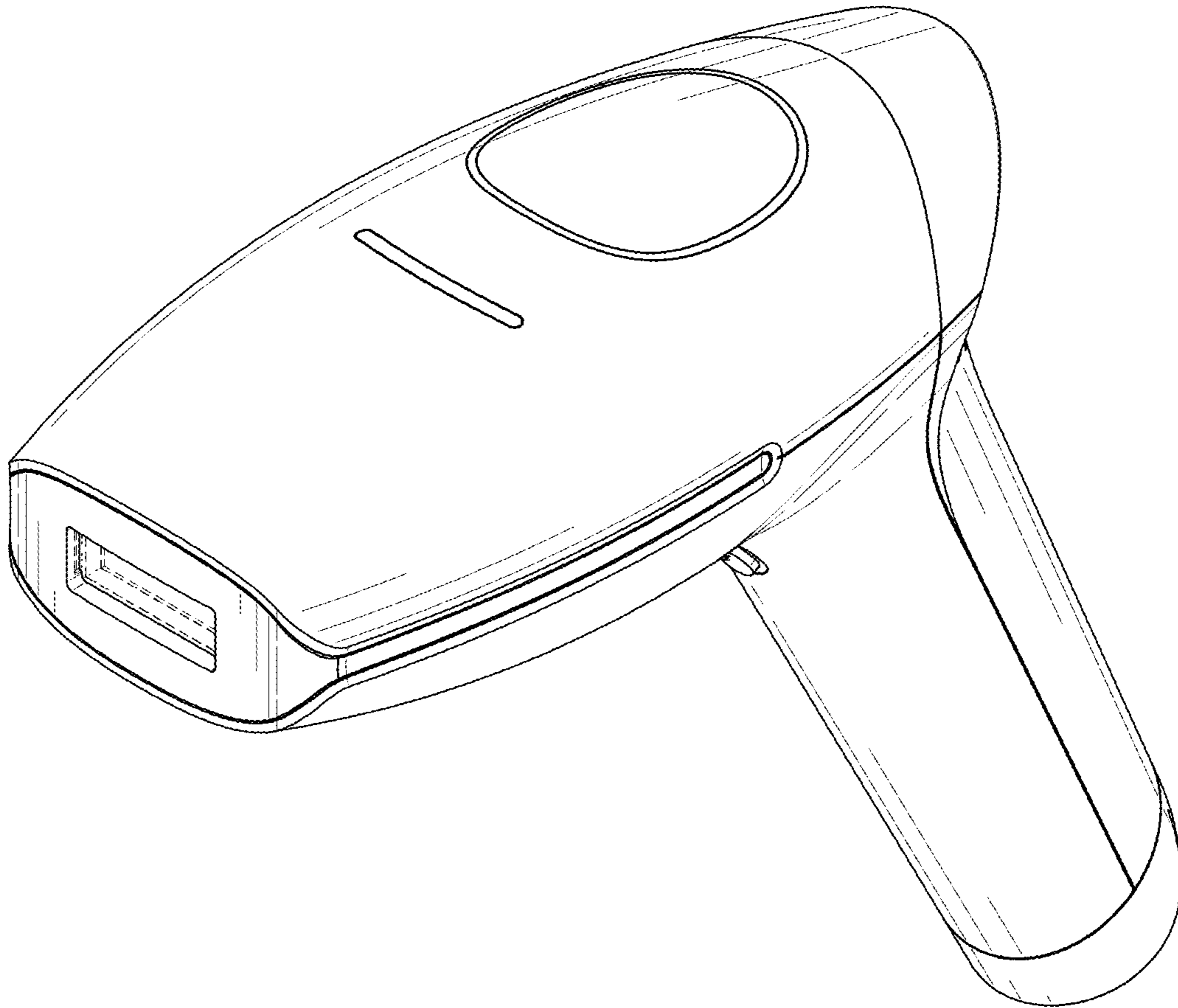


FIG. 1

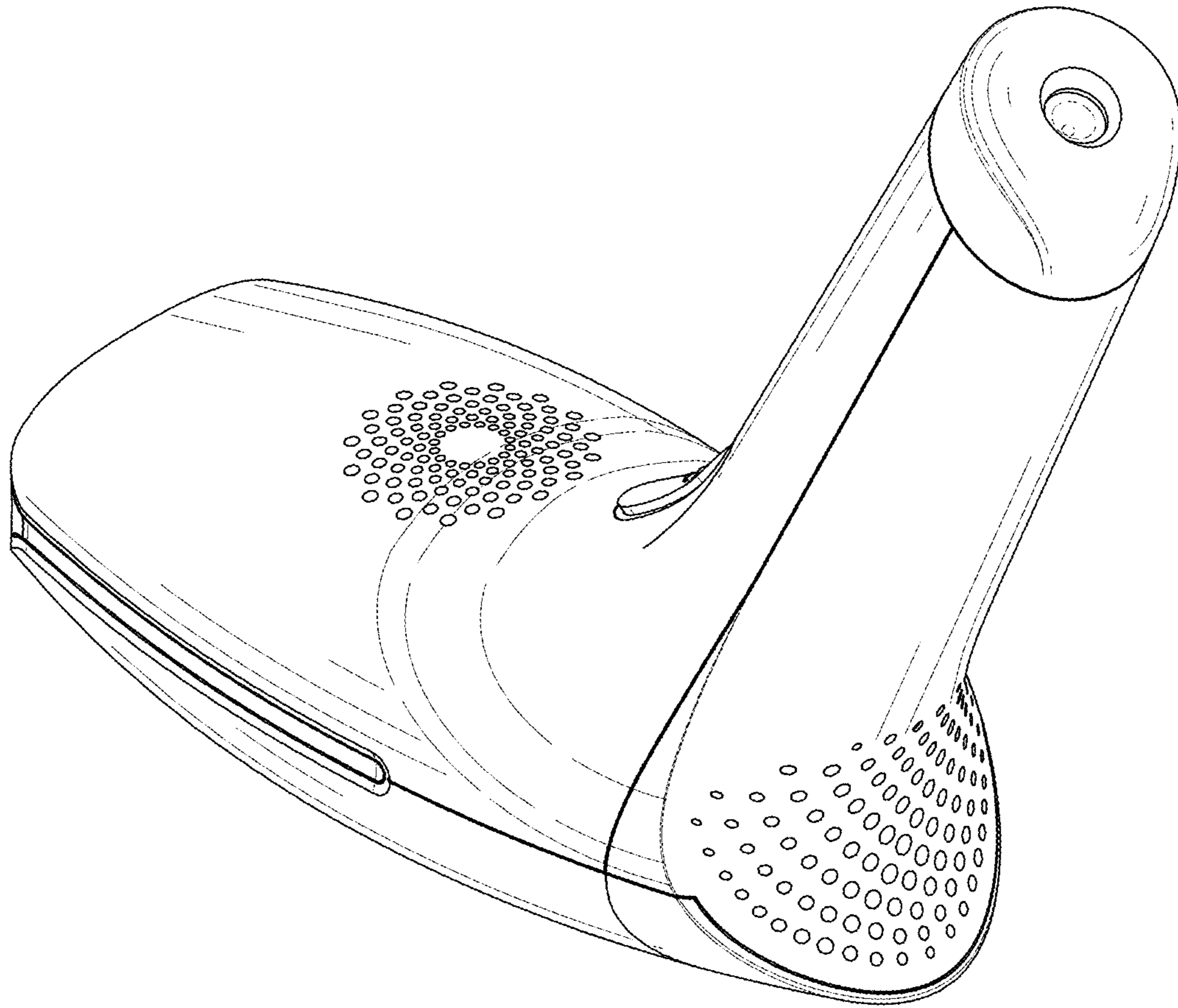


FIG. 2

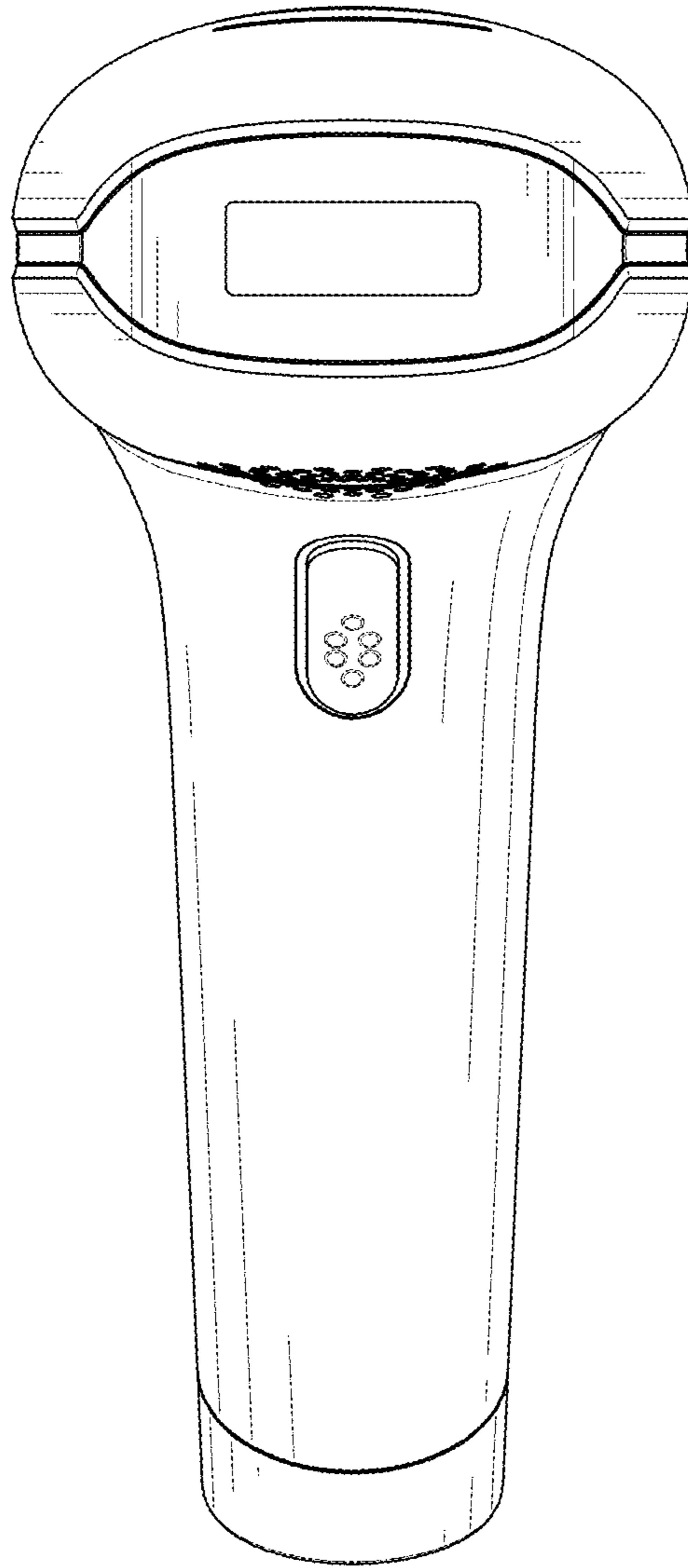


FIG. 3

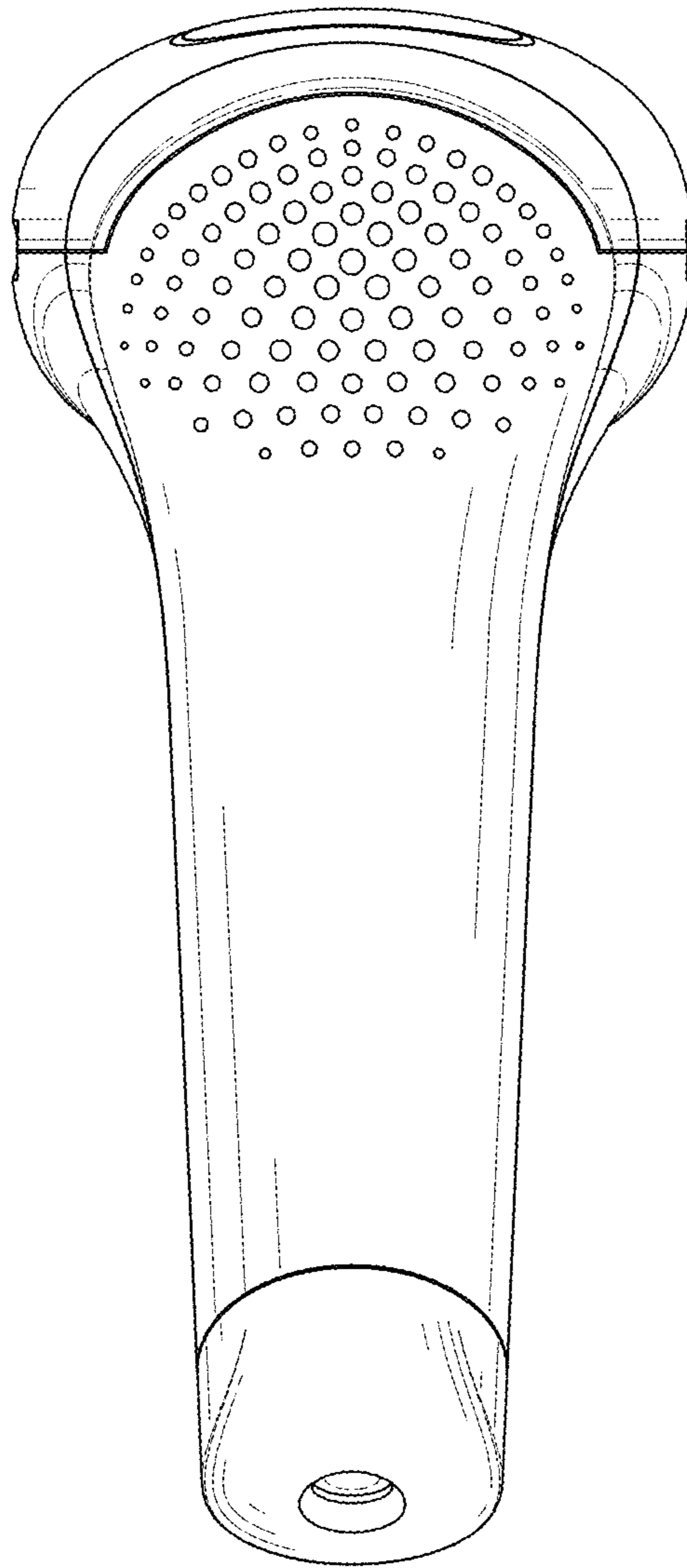


FIG. 4

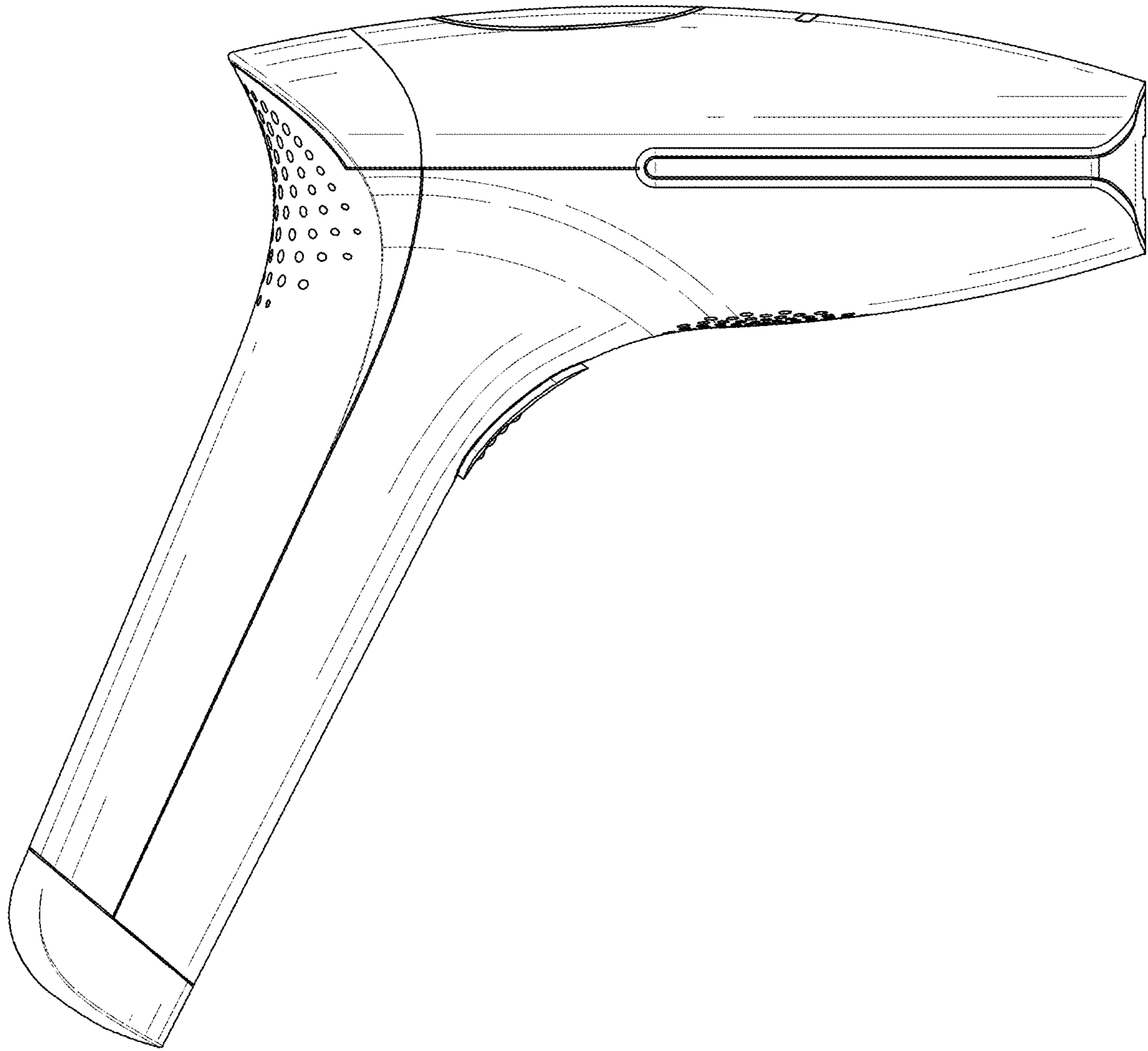


FIG. 5

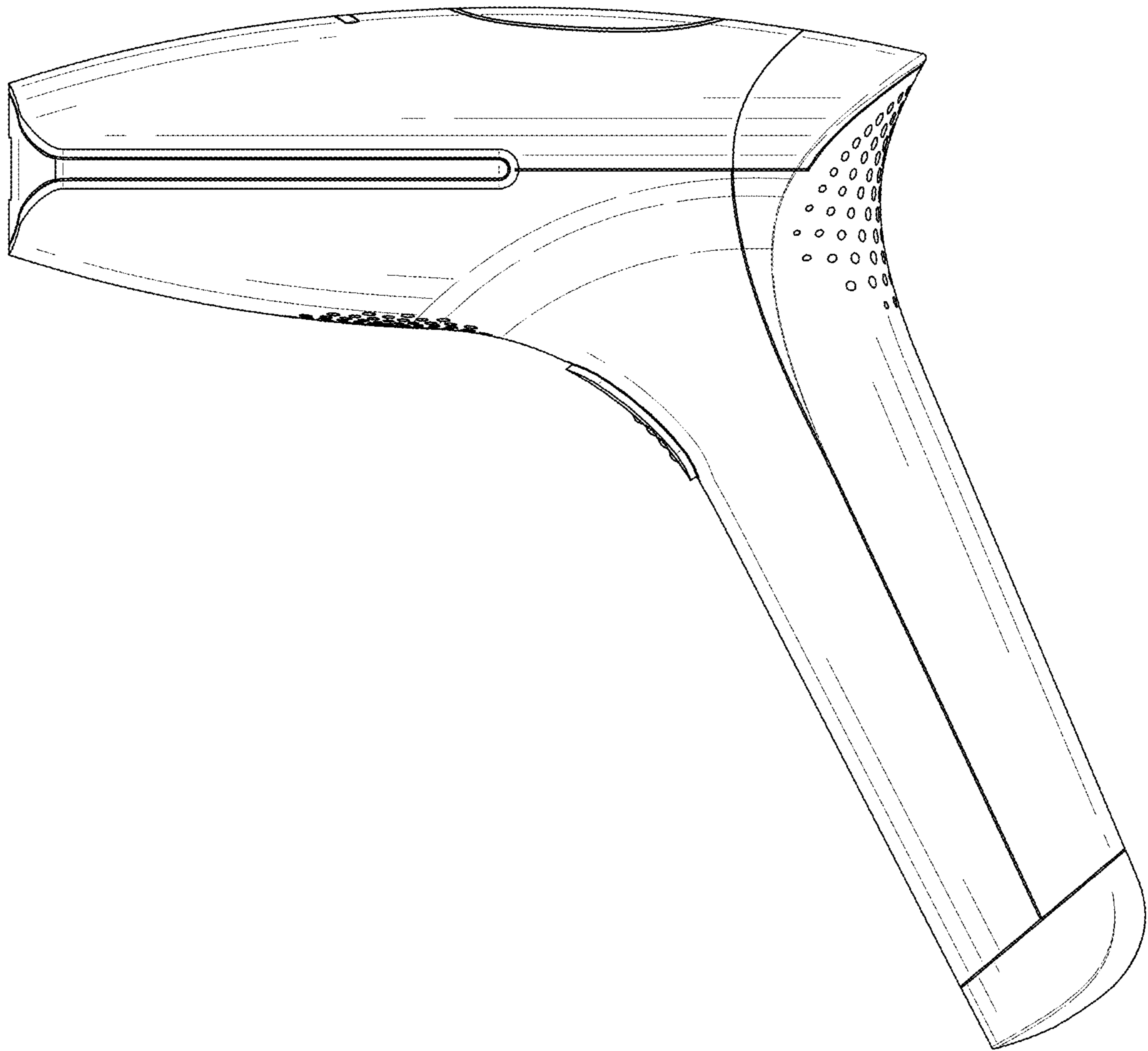


FIG. 6

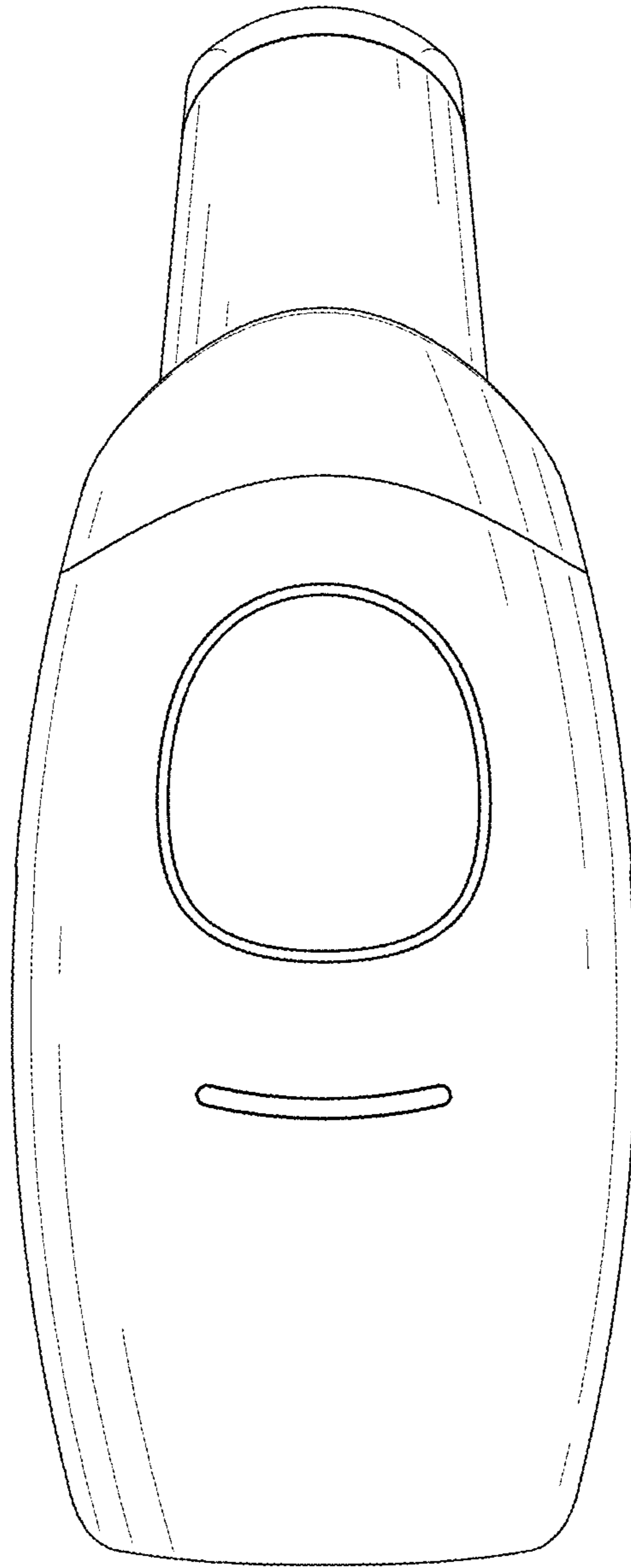


FIG. 7

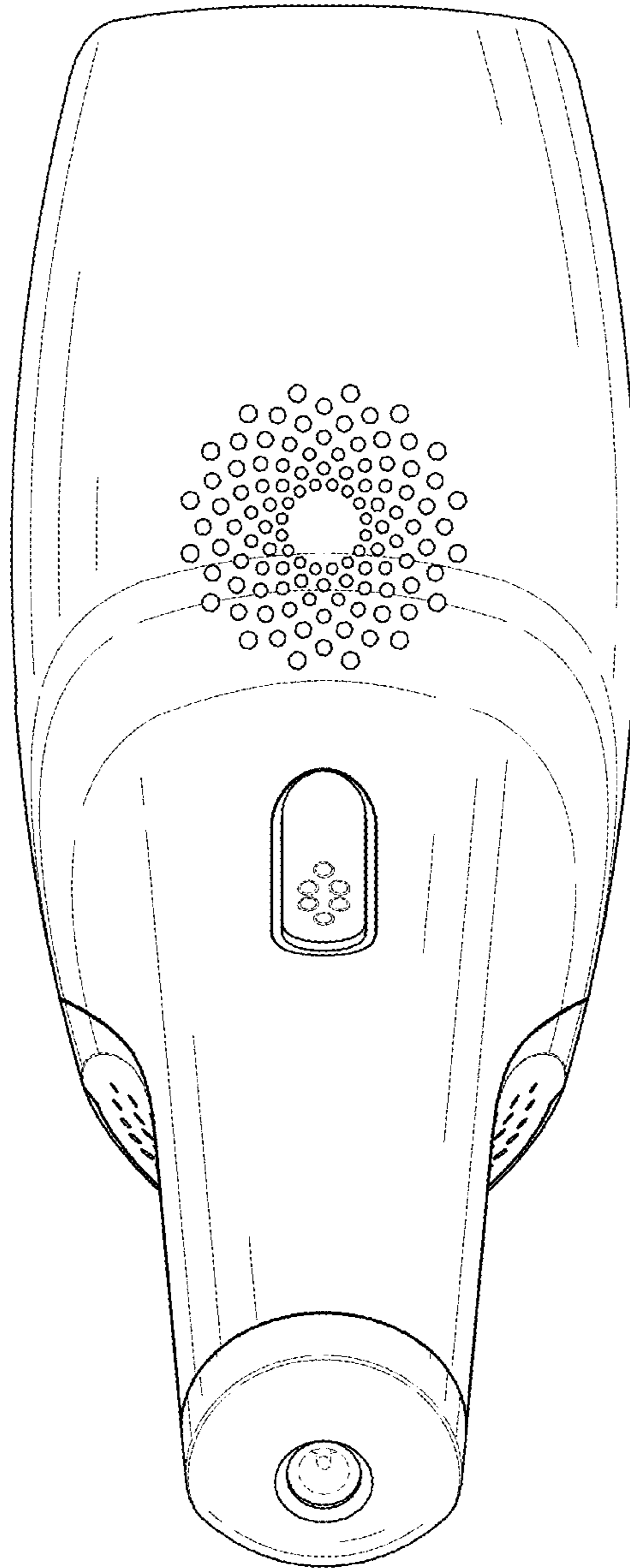


FIG. 8

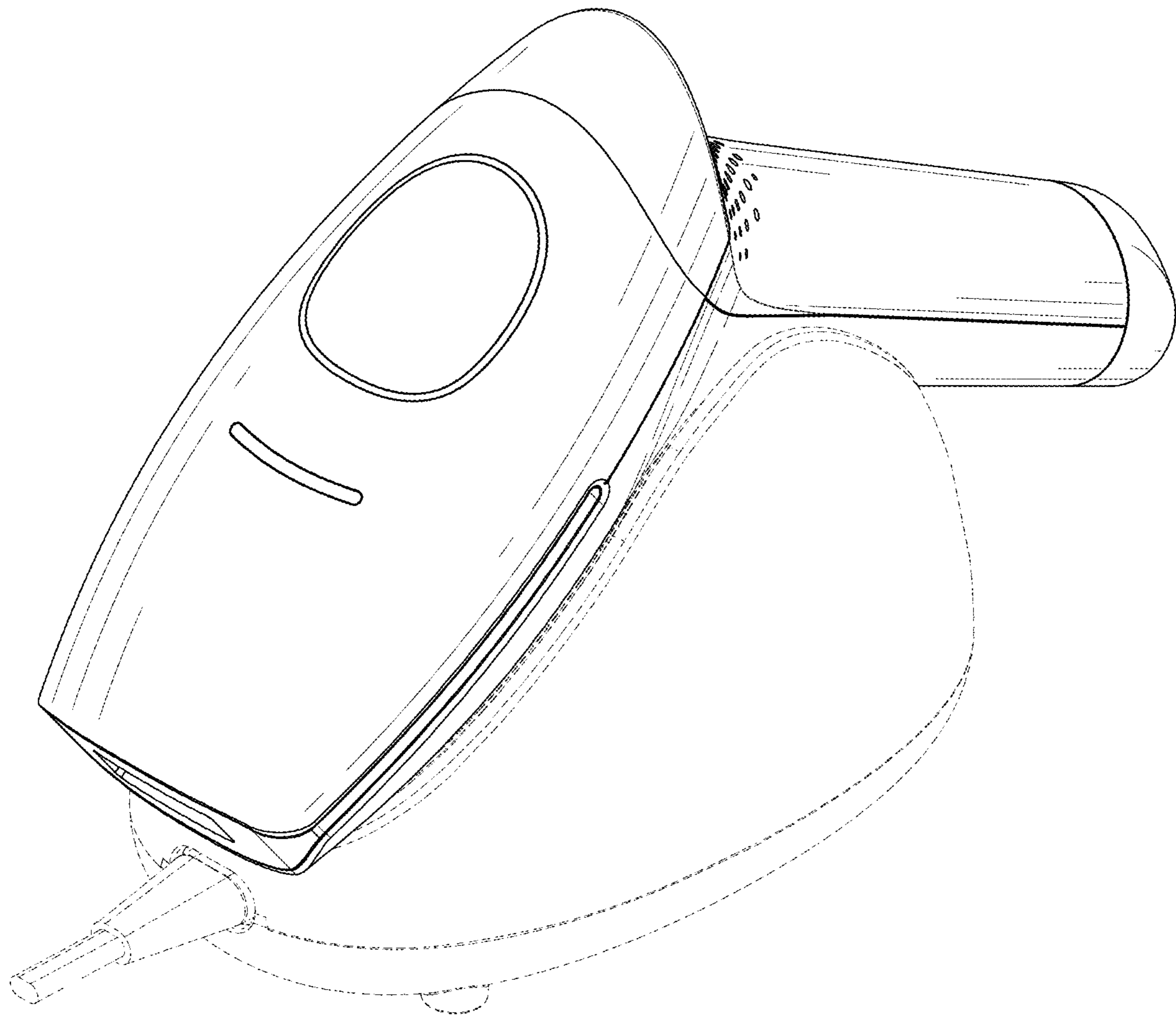


FIG. 9