



US00D939768S

(12) **United States Design Patent** (10) **Patent No.:** **US D939,768 S**
Matsuura (45) **Date of Patent:** **** Dec. 28, 2021**

(54) **HAIR CLIP**

(71) Applicant: **Matsuura co., Ltd.**, Tokyo (JP)

(72) Inventor: **Toru Matsuura**, Tokyo (JP)

(73) Assignee: **Matsuura co., Ltd.**, Tokyo (JP)

(**) Term: **15 Years**

(21) Appl. No.: **29/722,205**

(22) Filed: **Jan. 27, 2020**

(30) **Foreign Application Priority Data**

Oct. 8, 2019 (JP) 2019-022524

Oct. 8, 2019 (JP) 2019-022525

(51) **LOC (13) Cl.** **28-03**

(52) **U.S. Cl.**
USPC **D28/42**

(58) **Field of Classification Search**

USPC D28/10, 21, 25, 27, 32, 33, 34, 35, 39,
D28/40, 41, 42, 43

CPC A45D 2008/002; A45D 2008/004; A45D
2008/006; A45D 2008/008; A45D 8/00;
A45D 8/02; A45D 8/06; A45D 8/08;
A45D

(Continued)

(56) **References Cited**

U.S. PATENT DOCUMENTS

D483,523 S * 12/2003 Jones D28/40

D536,132 S * 1/2007 Vergona D28/40

(Continued)

FOREIGN PATENT DOCUMENTS

JP D1653772 * 5/2019

JP D1653773 * 5/2019

(Continued)

OTHER PUBLICATIONS

Gold claw clips[online], [site visited 00/00/2021]. Available from internet, URL: <https://www.etsy.com/listing/975345991/claw-clip-gold-claw-clips-elegant-clips?ref=shop_home_recs_1&firs=1> (Year: 2021).*

Primary Examiner — Cynthia Ramirez

Assistant Examiner — Xavier Marti-Santos

(74) *Attorney, Agent, or Firm* — Renner, Otto, Boisselle & Sklar, LLP

(57) **CLAIM**

The ornamental design for a hair clip, as shown and described.

DESCRIPTION

FIG. 1 is a perspective view 1 according to a first embodiment of a hair clip;

FIG. 2 is a perspective view 2 thereof;

FIG. 3 is a front view thereof;

FIG. 4 is a back view thereof;

FIG. 5 is a right-side view thereof;

FIG. 6 is a left-side view thereof;

FIG. 7 is a top view thereof;

FIG. 8 is a bottom view thereof.

FIG. 9 is a perspective view 1 according to a second embodiment of a hair clip;

FIG. 10 is a perspective view 2 thereof;

FIG. 11 is a front view thereof;

FIG. 12 is a back view thereof;

FIG. 13 is a right-side view thereof;

FIG. 14 is a left-side view thereof;

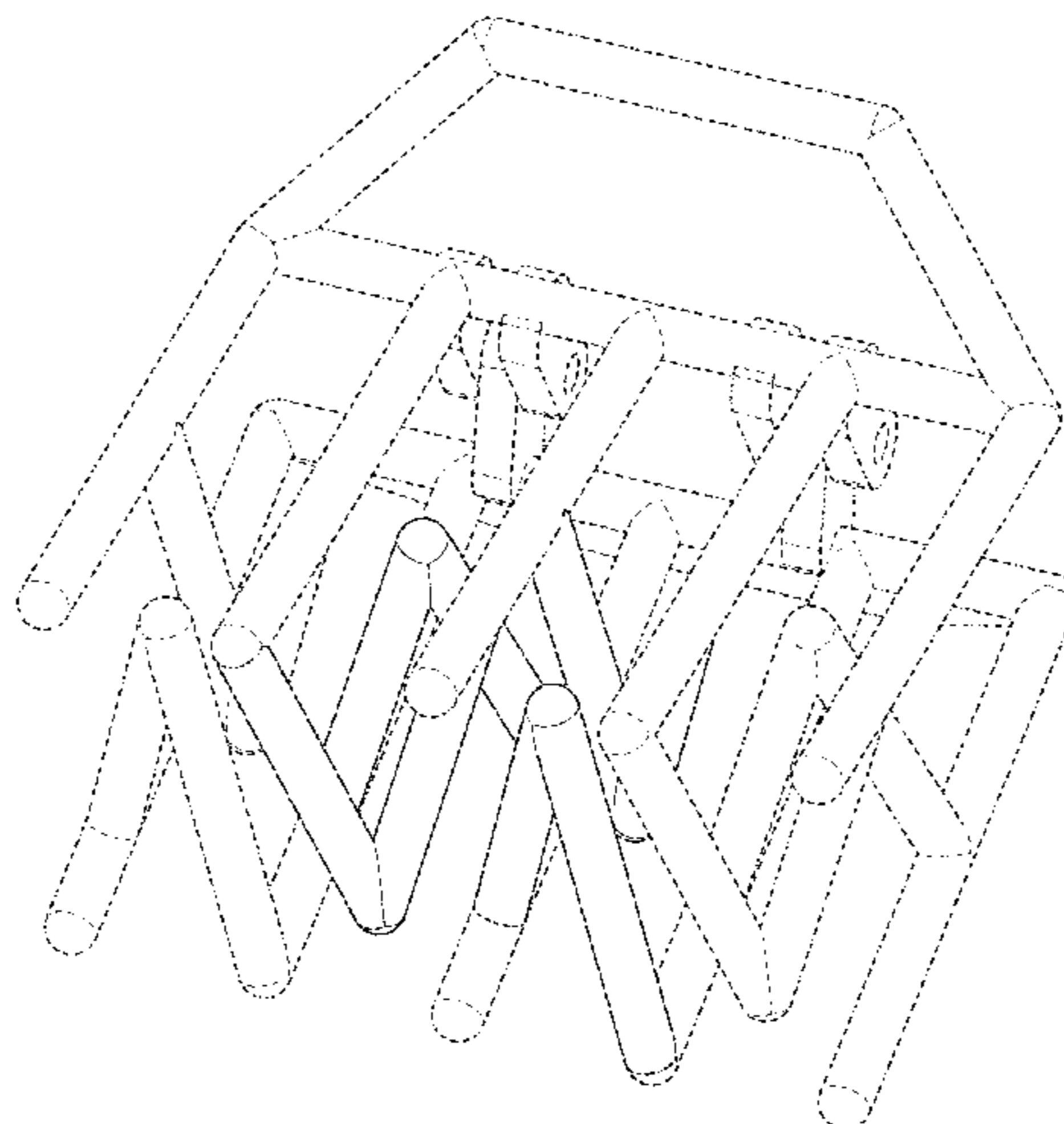
FIG. 15 is a top view thereof; and,

FIG. 16 is a bottom view thereof.

The broken lines in the figures are for the purpose of illustrating portions of the hair clip, which form no part of the claimed design. The dash-dot broken lines define the bounds of the claim and form no part thereof.

The contour lines shown in each view of the drawings are lines representing the surfaces of the solid body and are not surface pattern.

1 Claim, 16 Drawing Sheets



(58) **Field of Classification Search**

CPC 8/10; A45D 8/12; A45D 8/14; A45D 8/16;
 A45D 8/18; A45D 8/20; A45D 8/22;
 A45D 8/24; A45D 8/26; A45D 8/28;
 A45D 8/30; A45D 8/32

See application file for complete search history.

D921,292 S * 6/2021 Matsuura D28/40
 D923,245 S * 6/2021 Liu D28/40
 D923,246 S * 6/2021 Triulzi D28/40
 2004/0226574 A1* 11/2004 Winn A45D 8/22
 132/277
 2009/0114241 A1* 5/2009 Tu A45D 8/20
 132/277
 2009/0272398 A1* 11/2009 Chudzik A45D 8/20
 132/277
 2021/0022469 A1* 1/2021 Freeman A45D 8/20
 2021/0251361 A1* 8/2021 Matsuura A45D 8/20

(56) **References Cited**

U.S. PATENT DOCUMENTS

D627,099 S * 11/2010 Tu D28/40
 D635,298 S * 3/2011 Hsu D28/40
 8,069,864 B2 * 12/2011 Chininis A45D 8/20
 132/277
 D769,525 S * 10/2016 Coral D28/40
 D898,996 S * 10/2020 Kaminsky D28/40
 D901,079 S * 11/2020 Hsu D28/40
 D904,690 S * 12/2020 Kaminsky D28/40

FOREIGN PATENT DOCUMENTS

JP D1653774 * 5/2019
 JP D1653775 * 5/2019
 JP D1653776 * 5/2019
 JP D1663654 * 10/2019

* cited by examiner

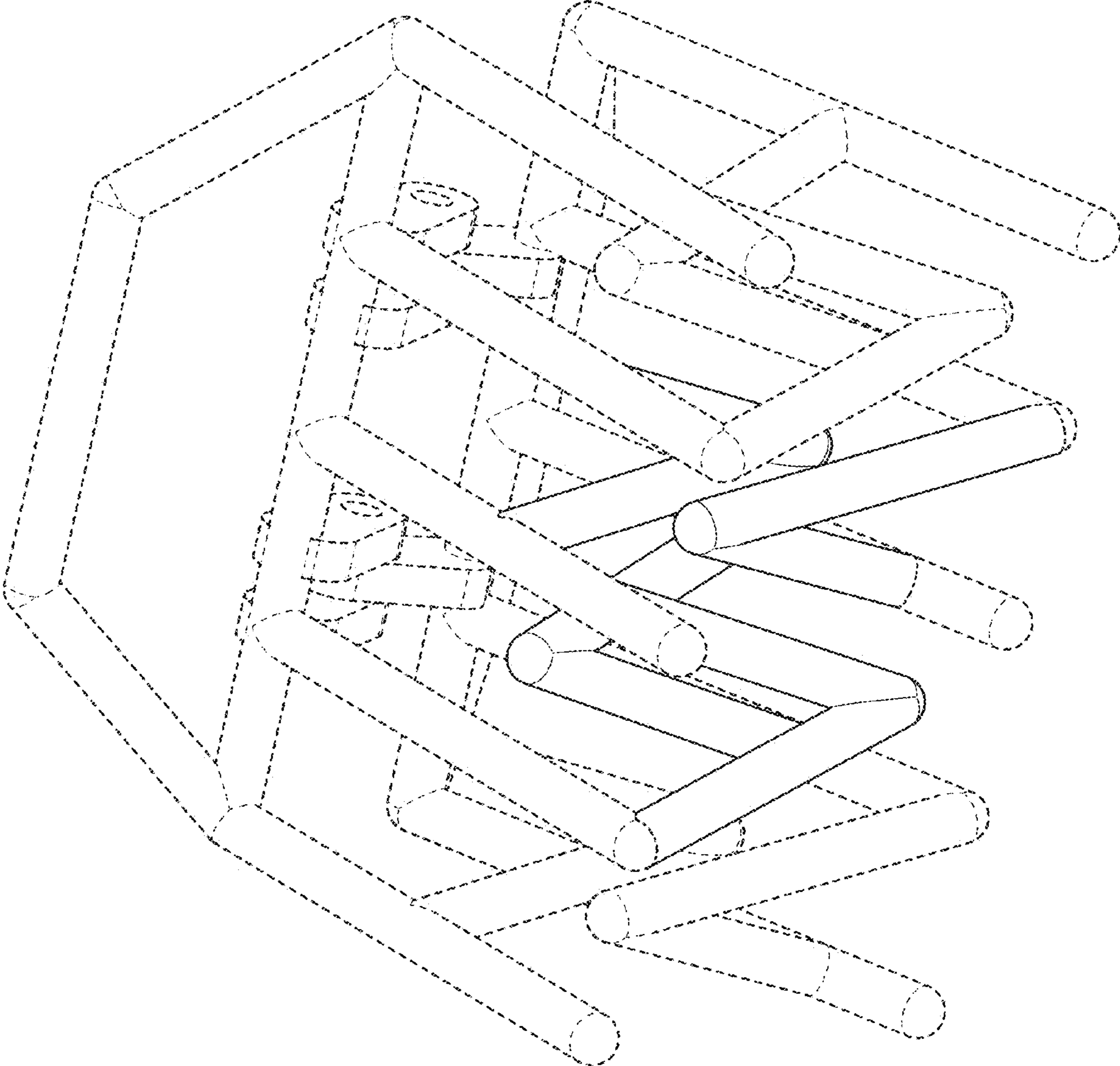


Fig. 1

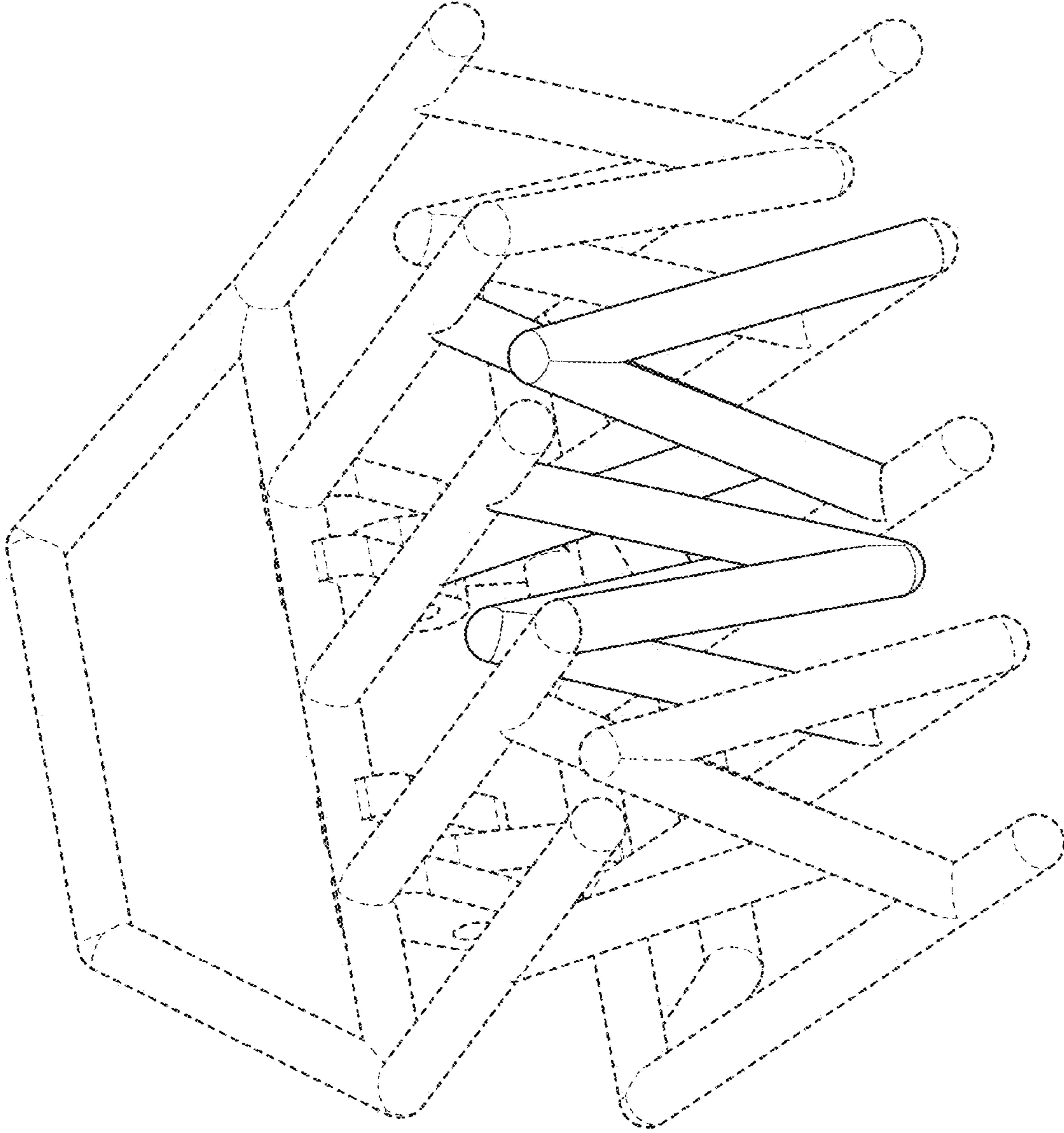


Fig. 2

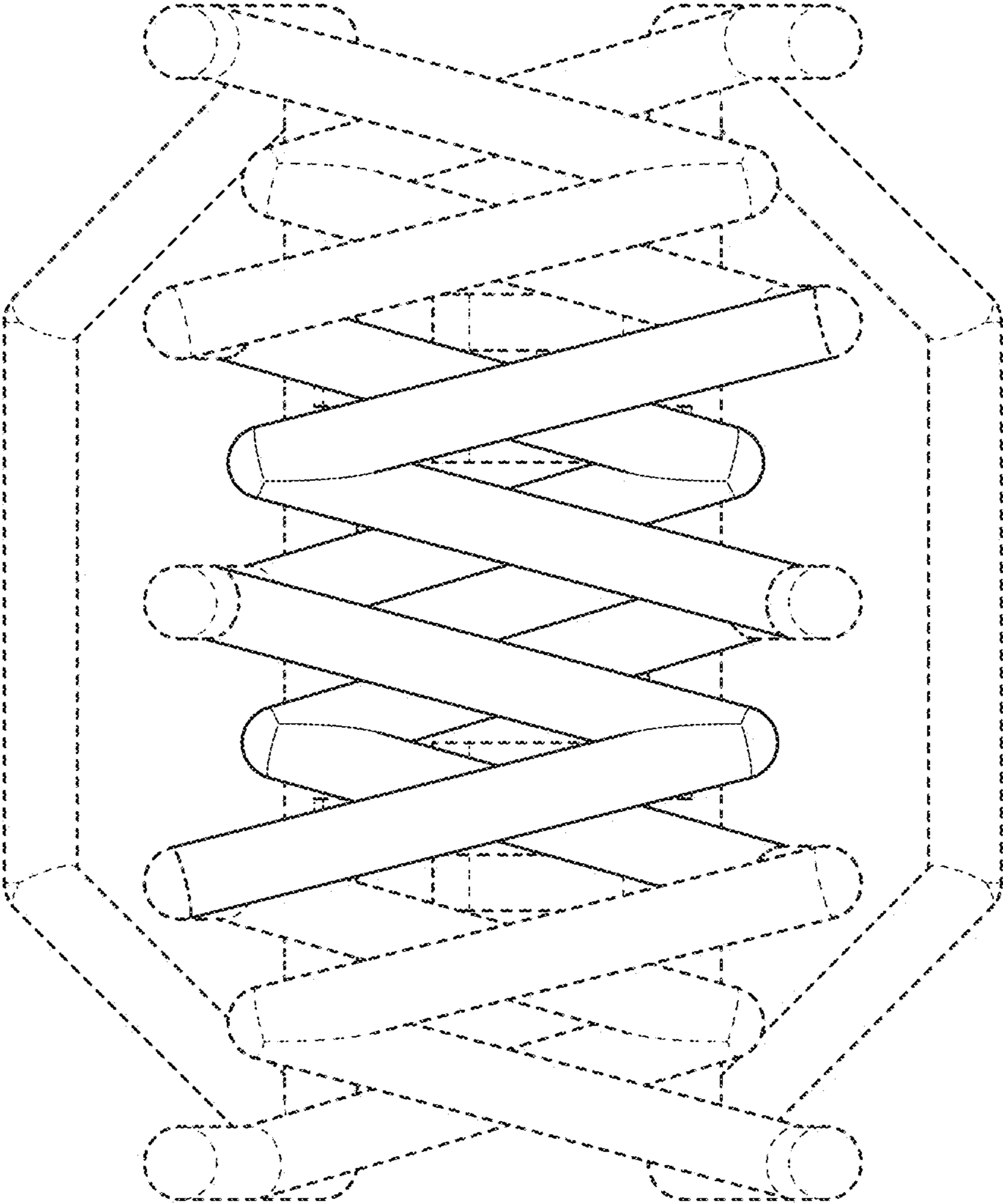


Fig. 3

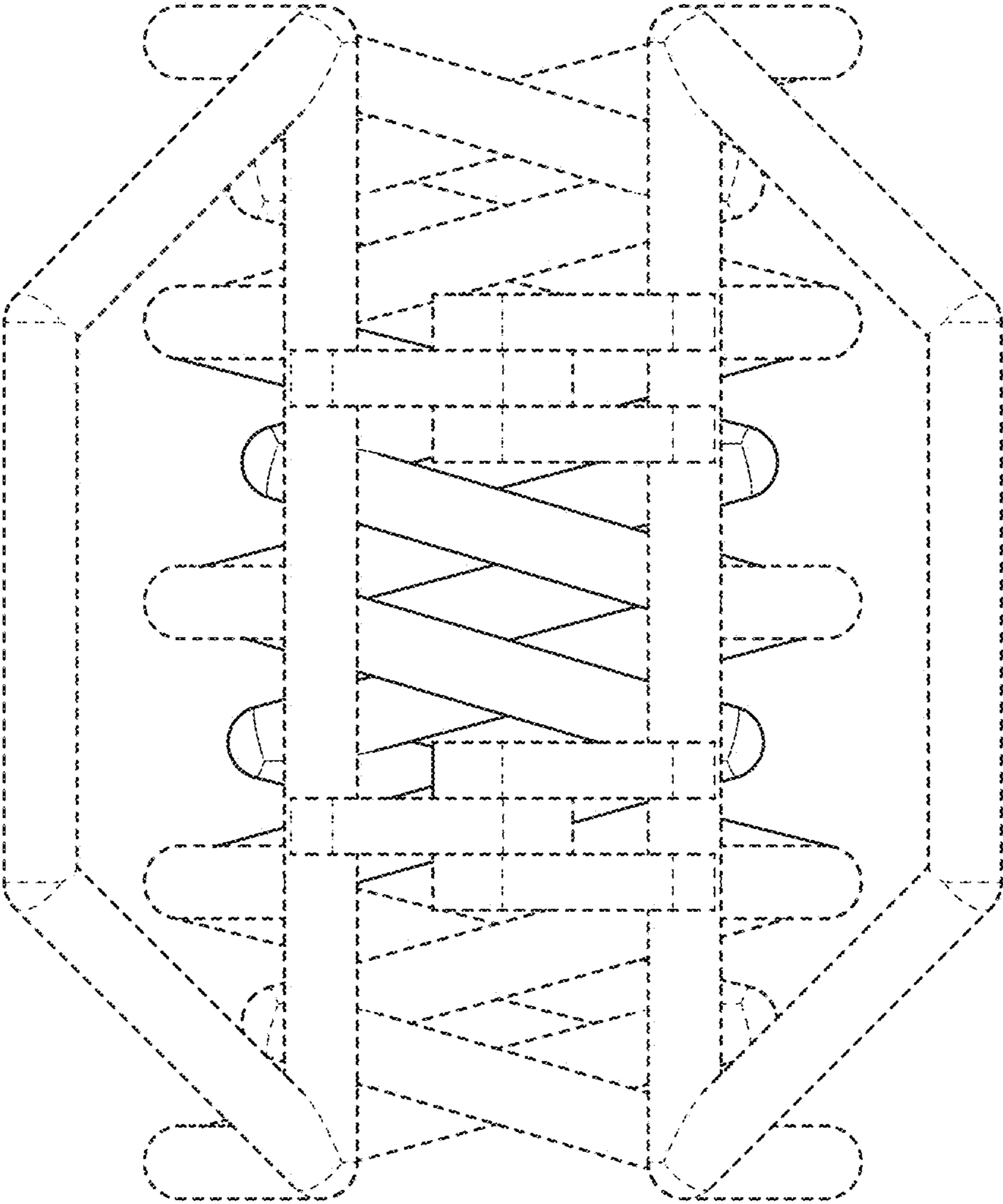


Fig. 4

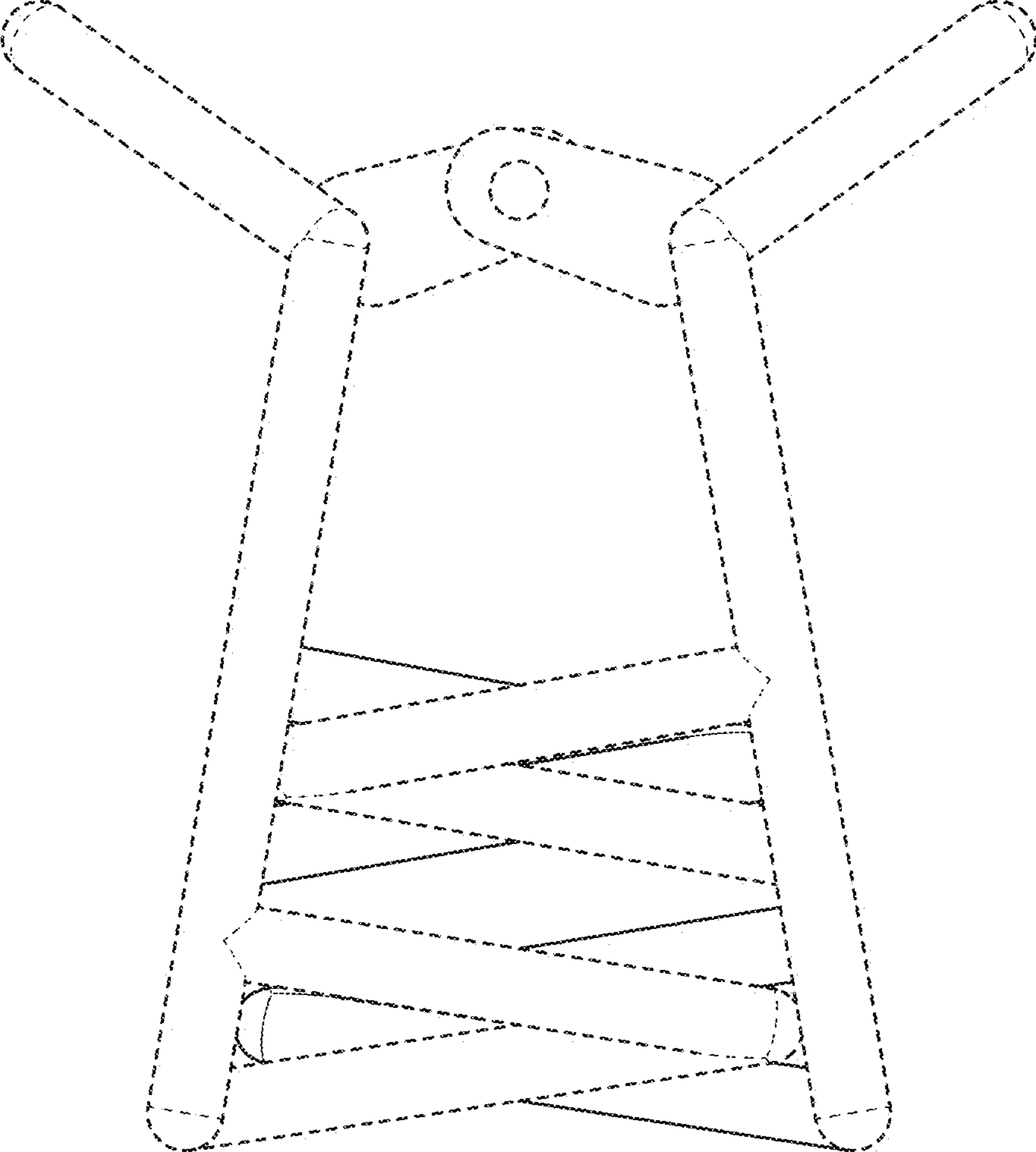


Fig. 5

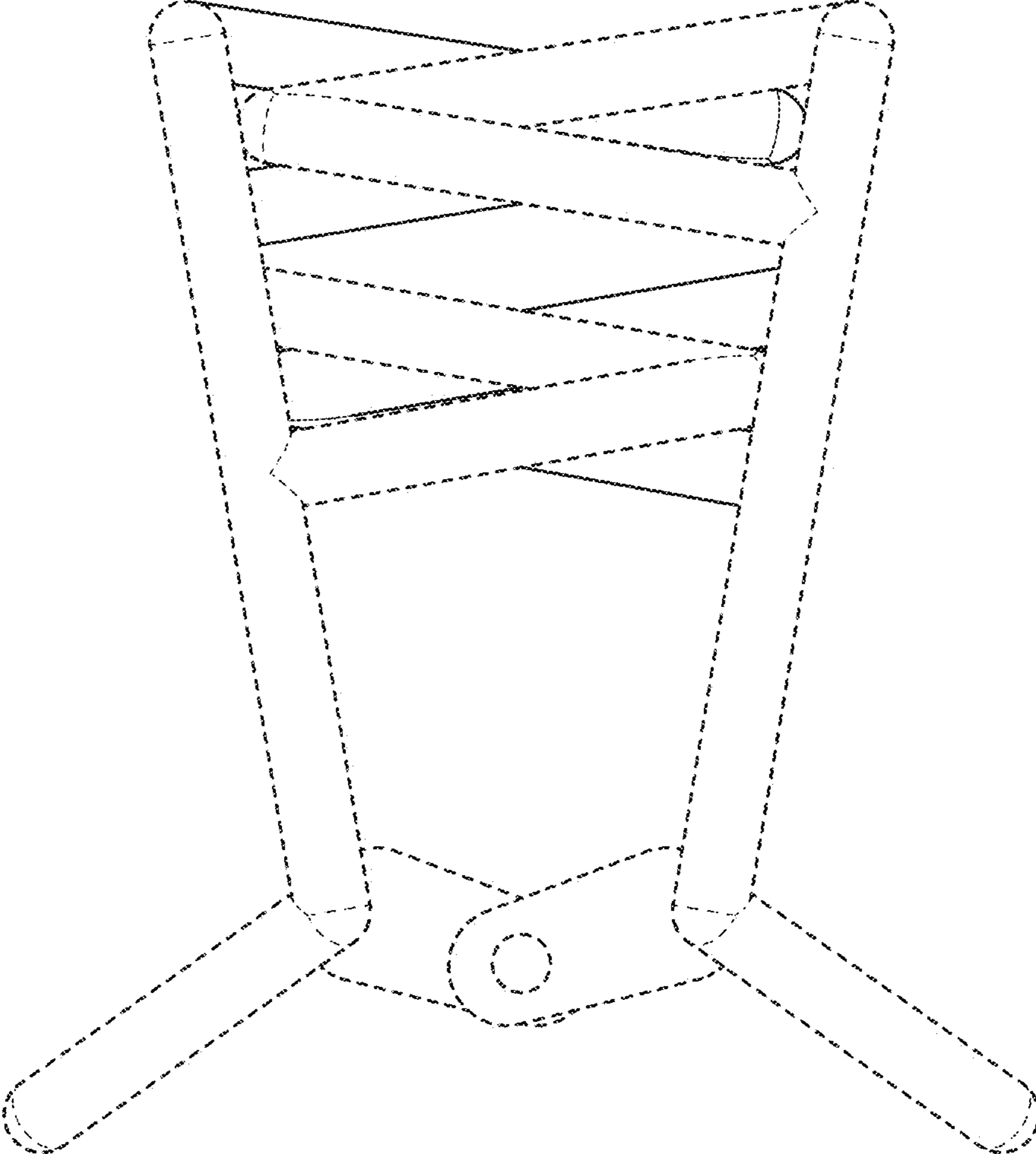


Fig. 6

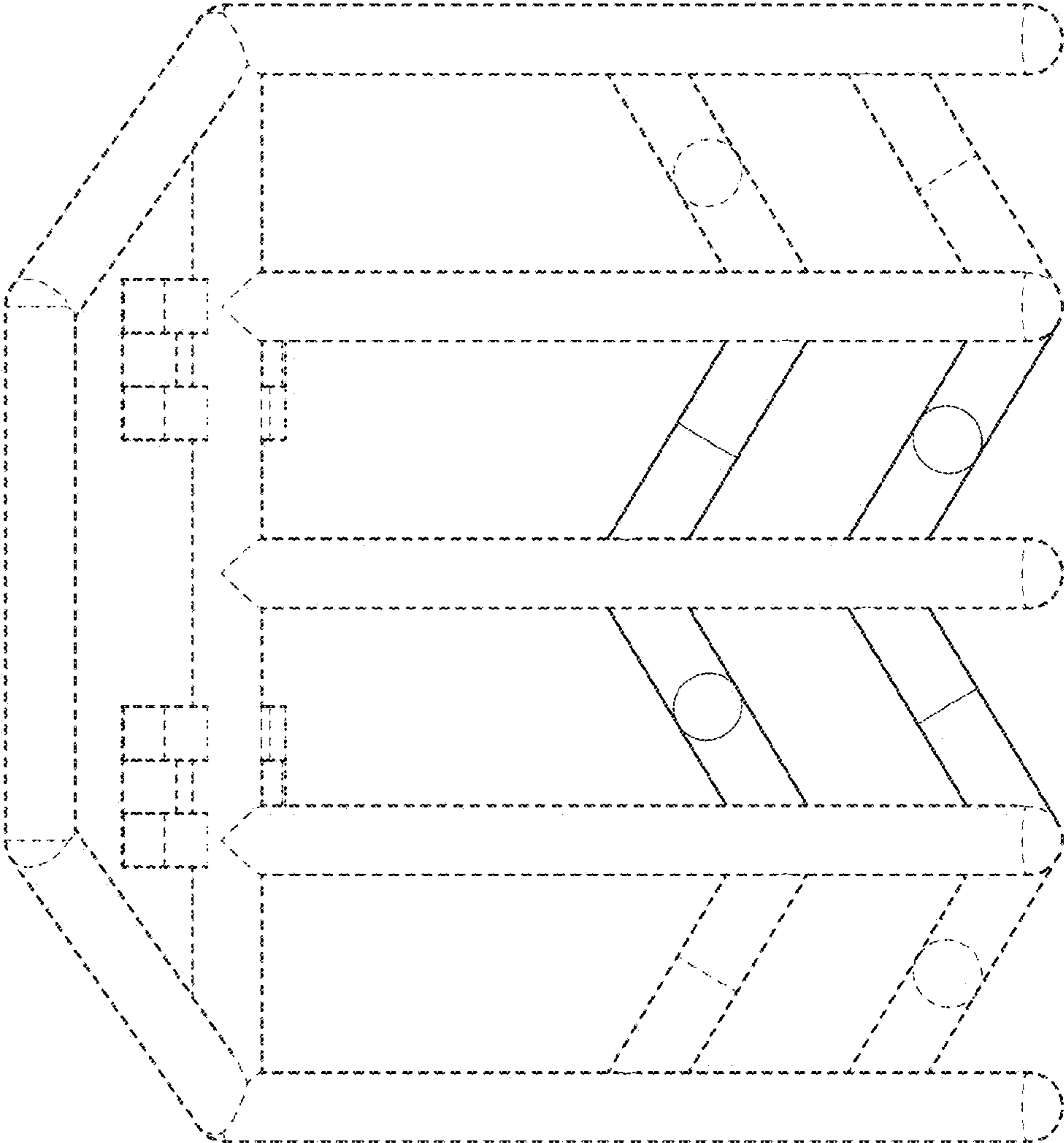


Fig. 7

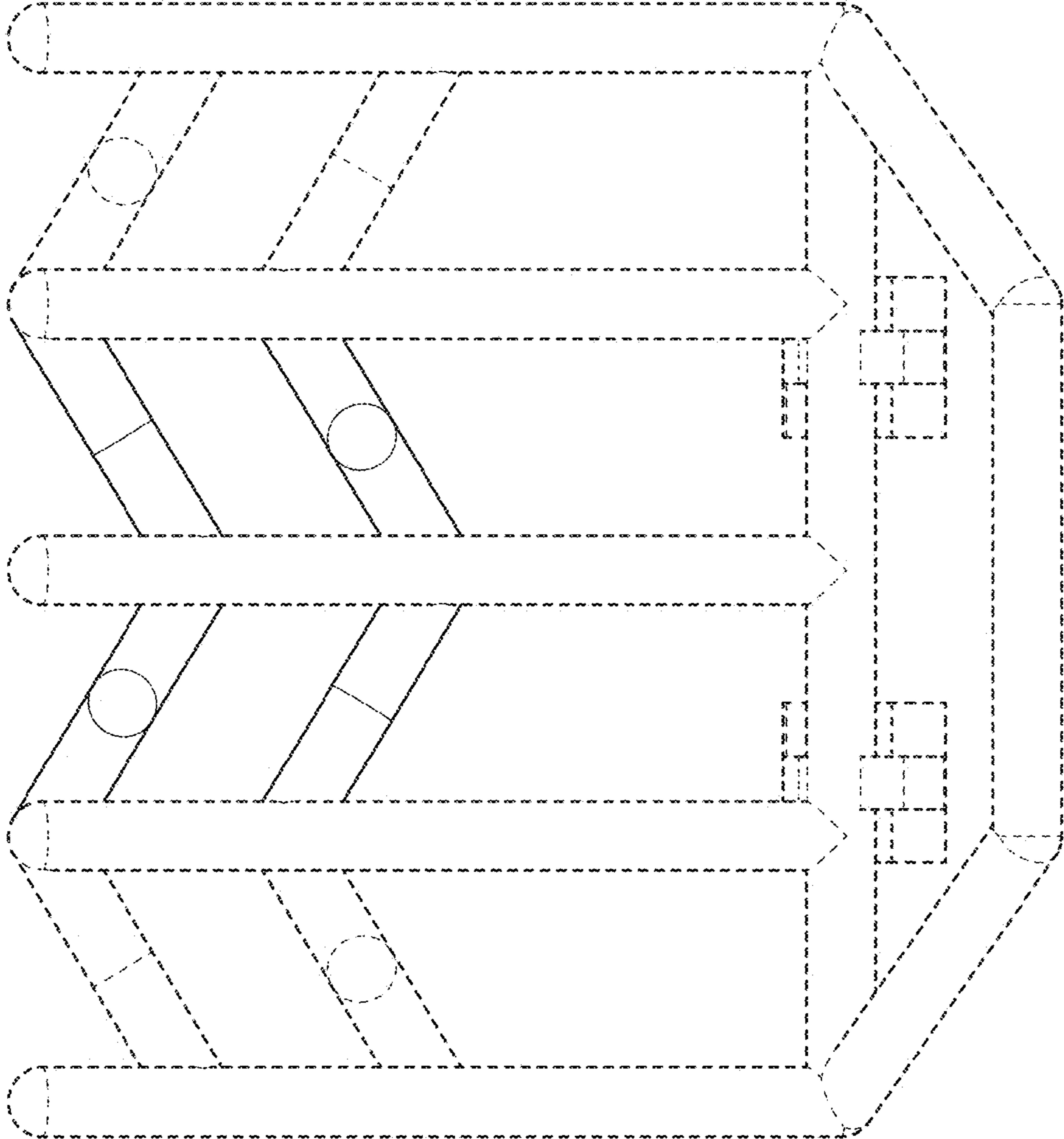


Fig. 8

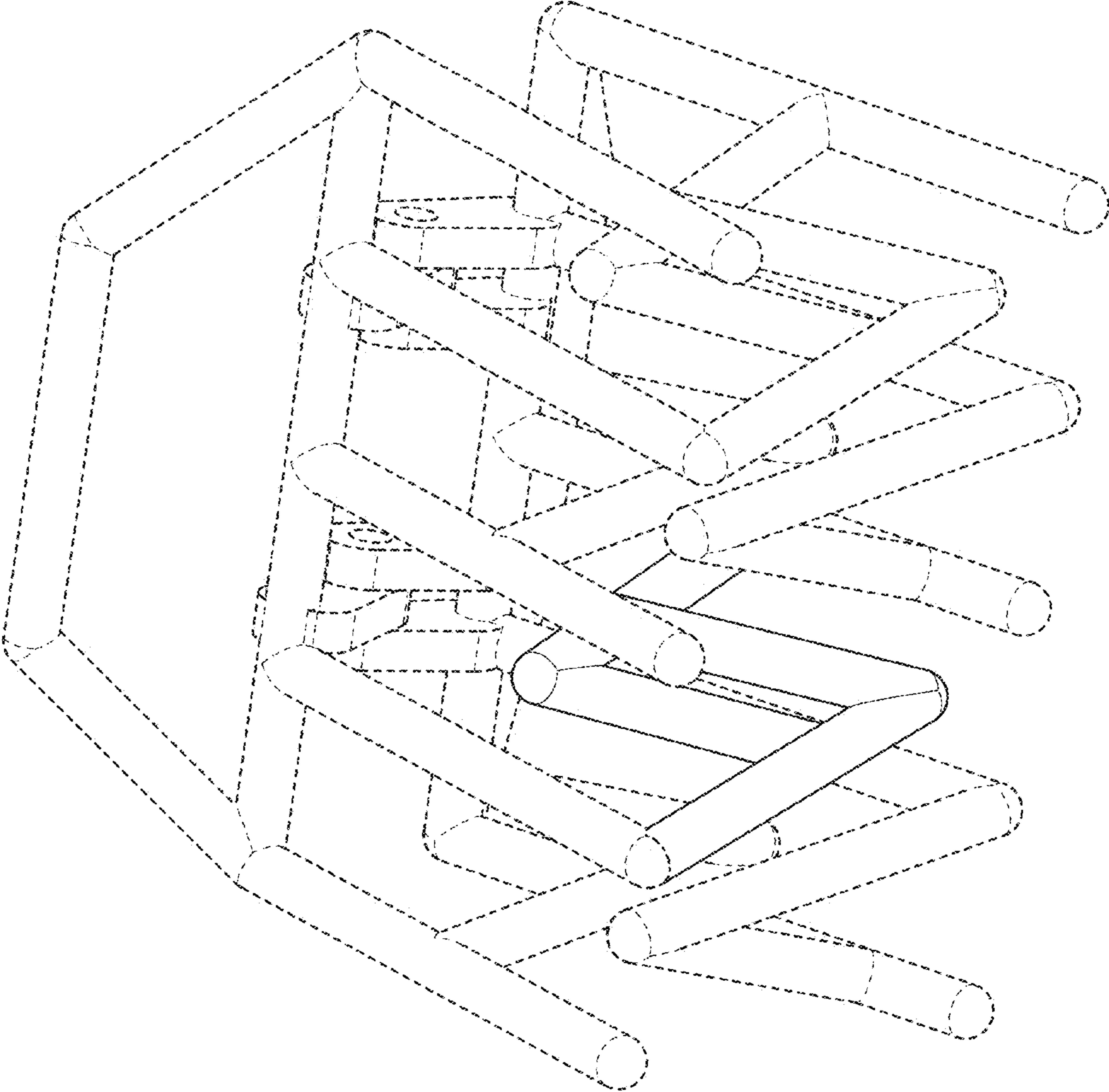


Fig. 9

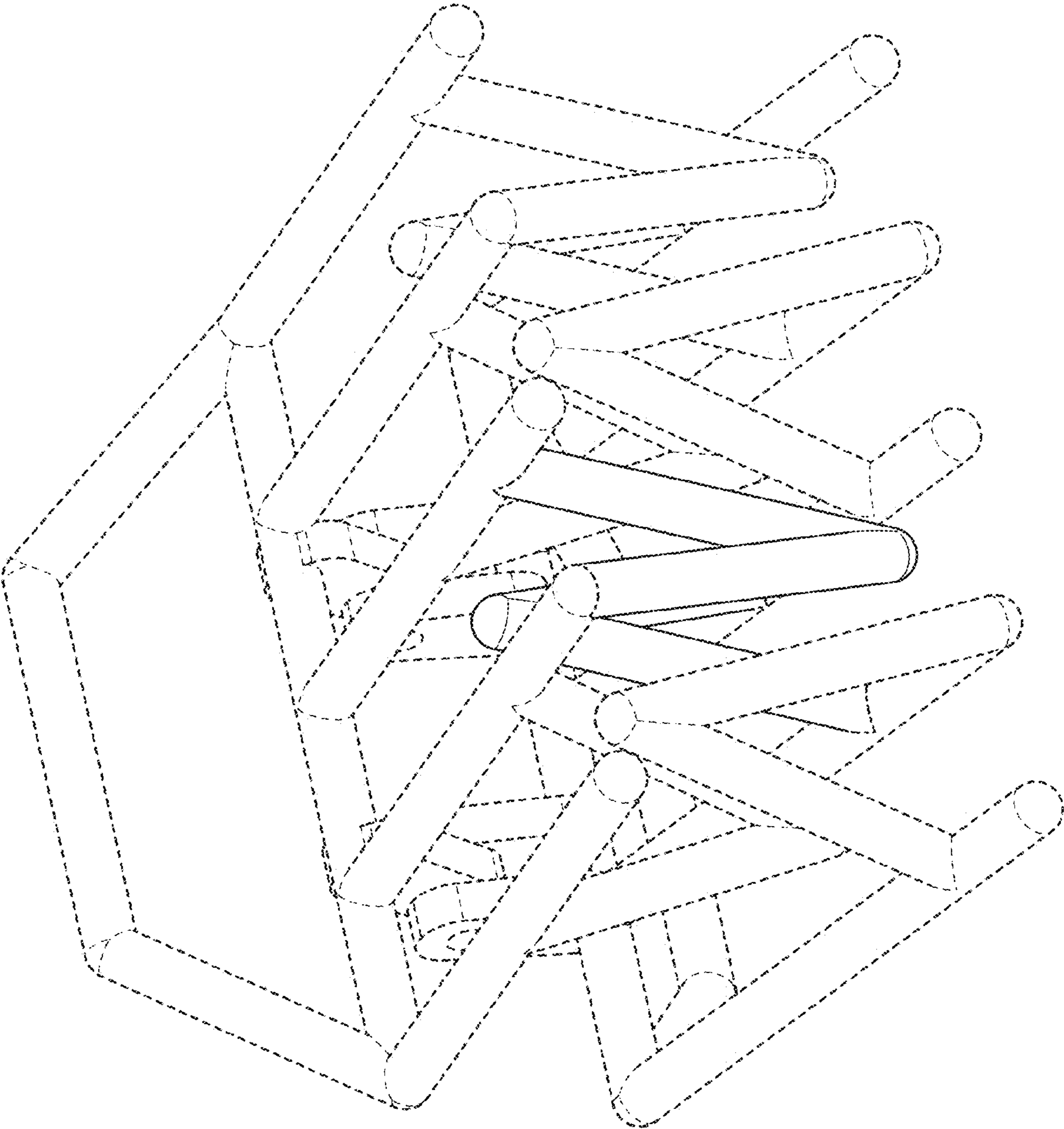


Fig. 10

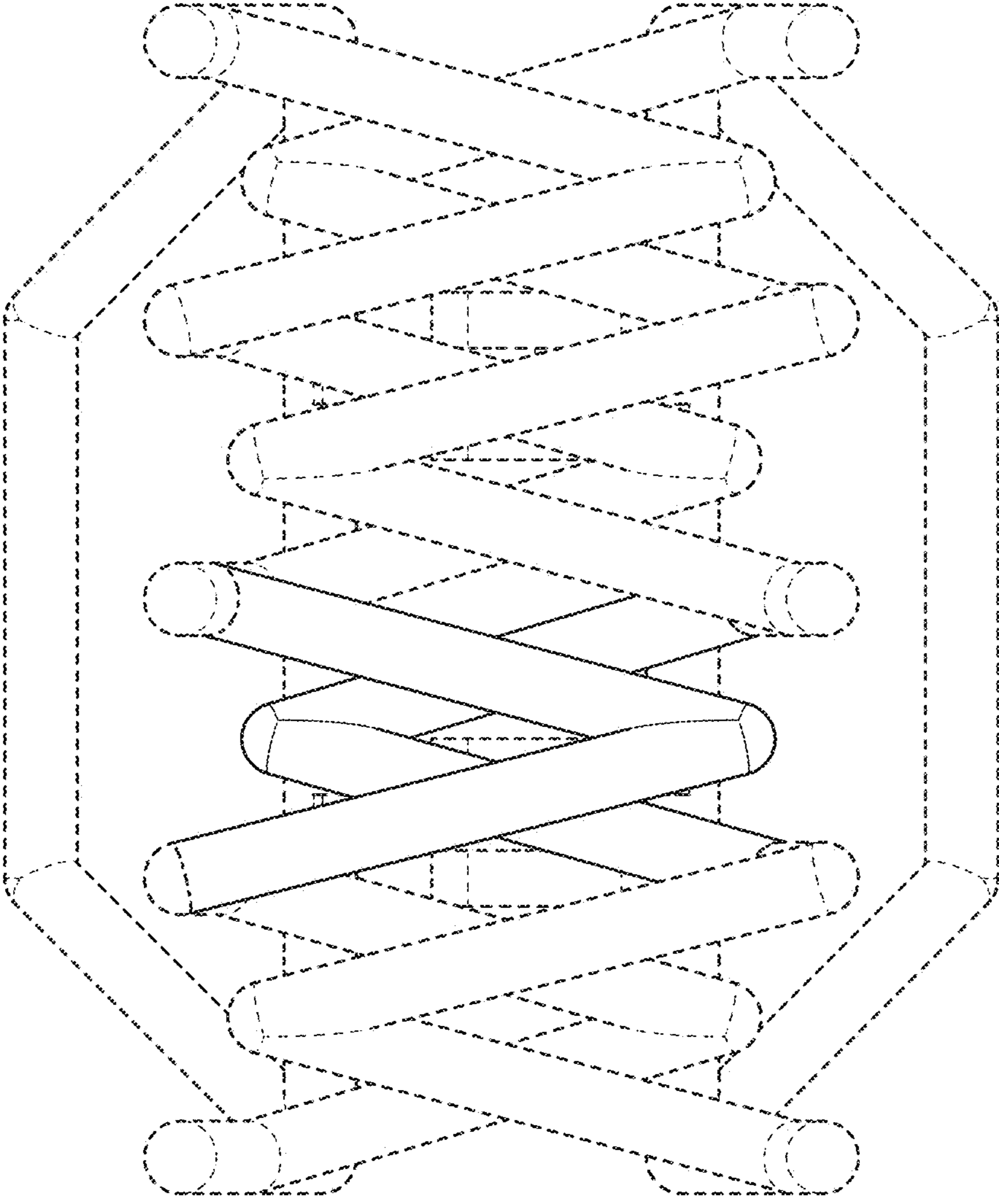


Fig. 11

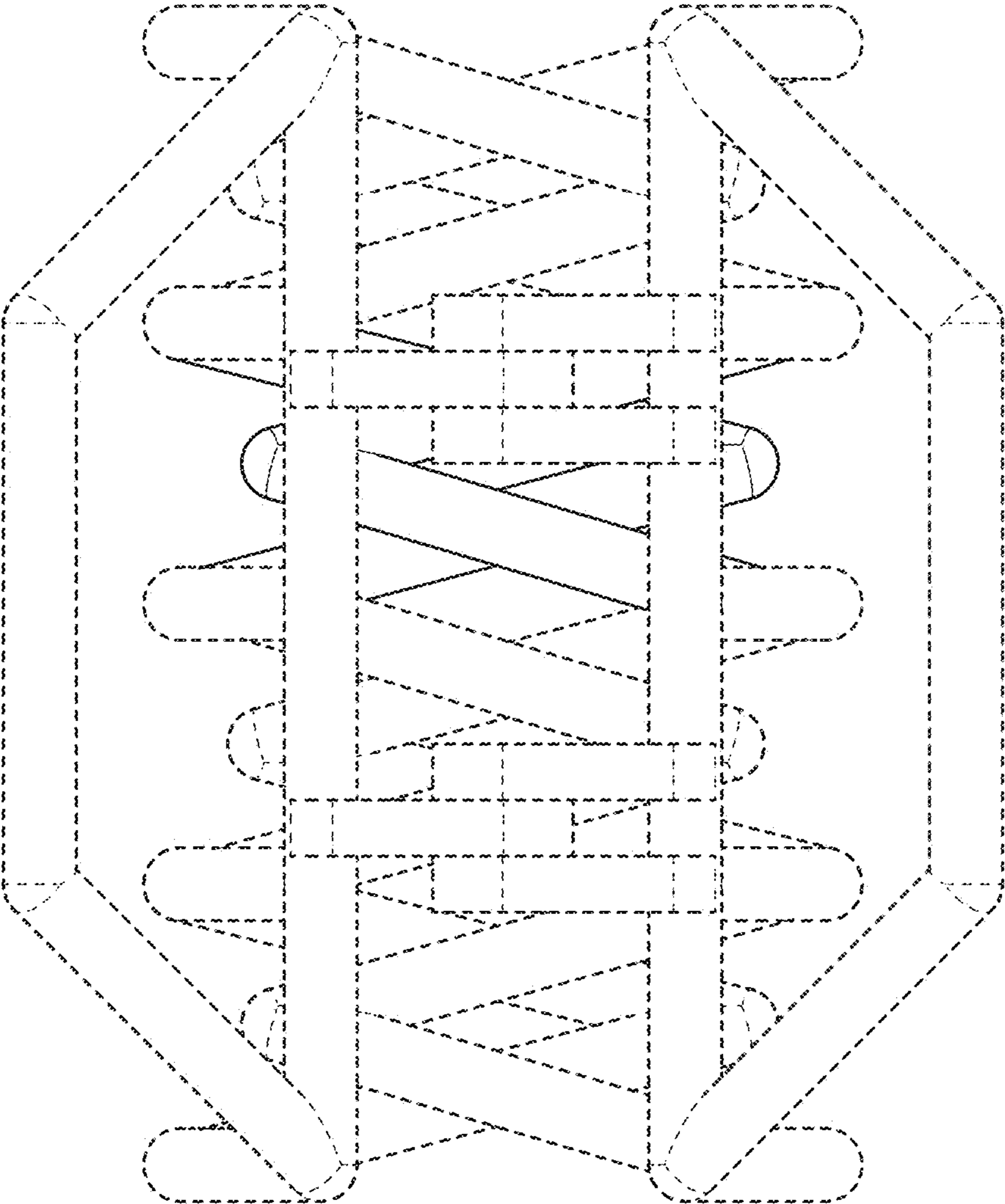


Fig. 12

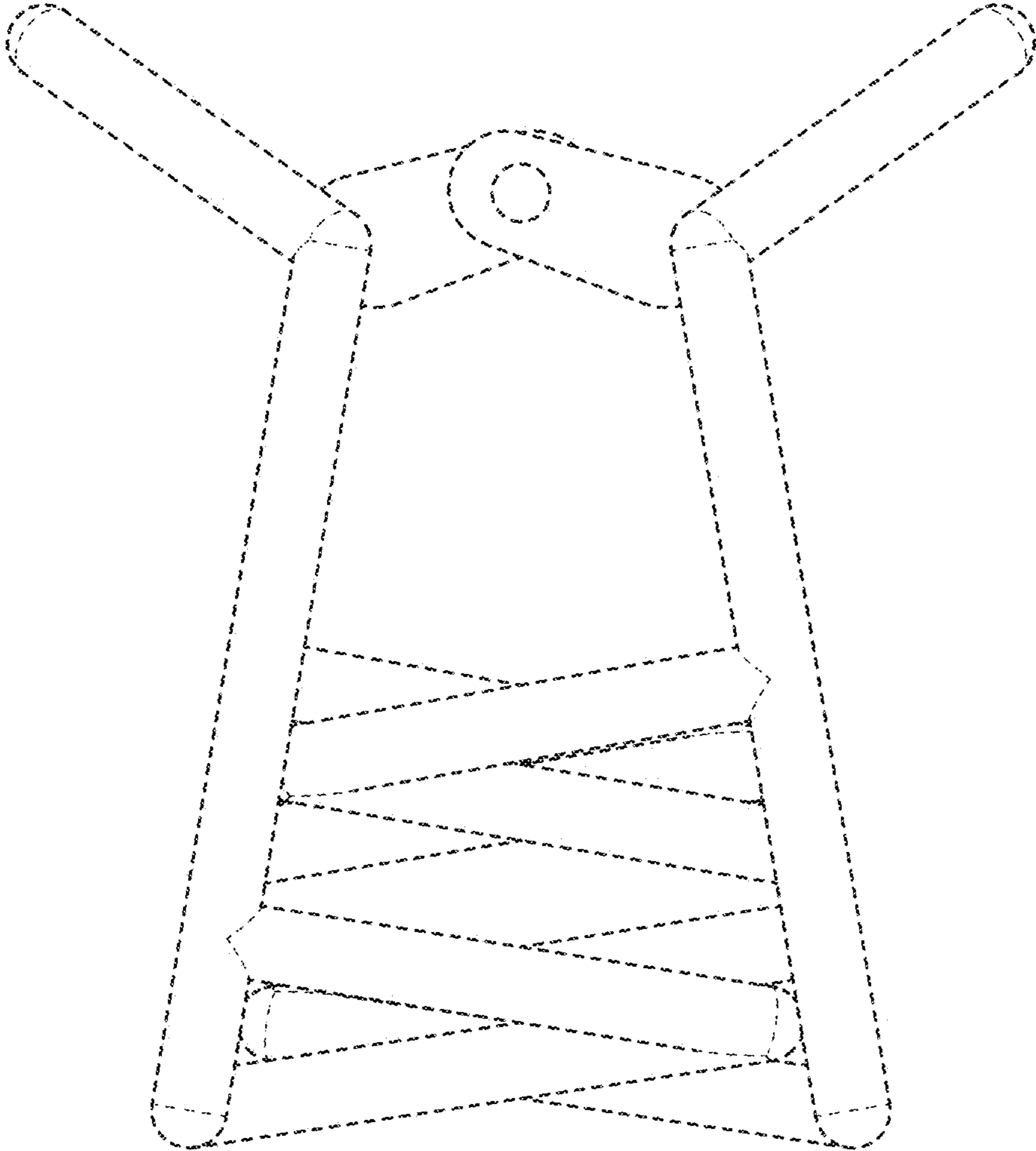


Fig. 13

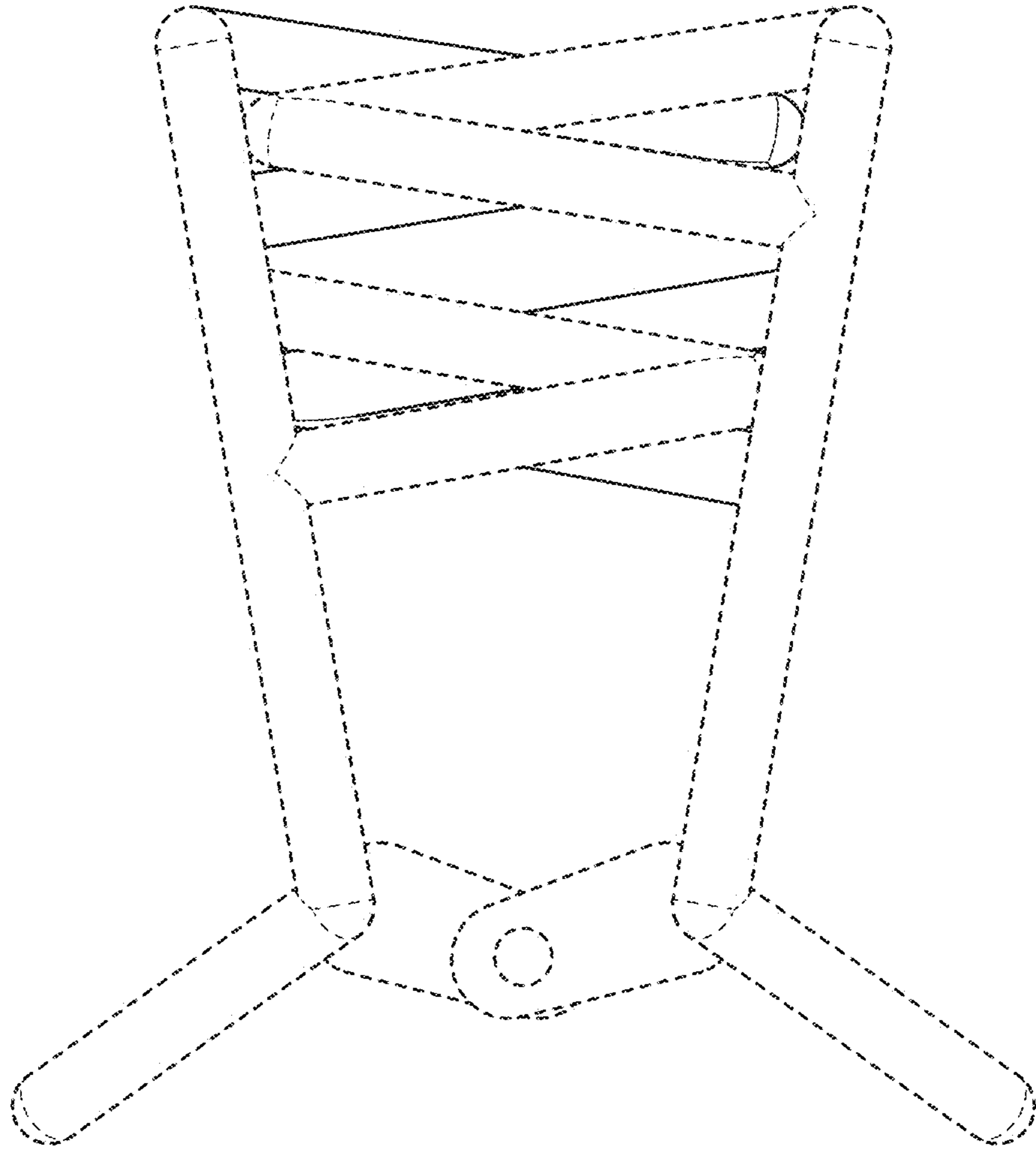


Fig. 14

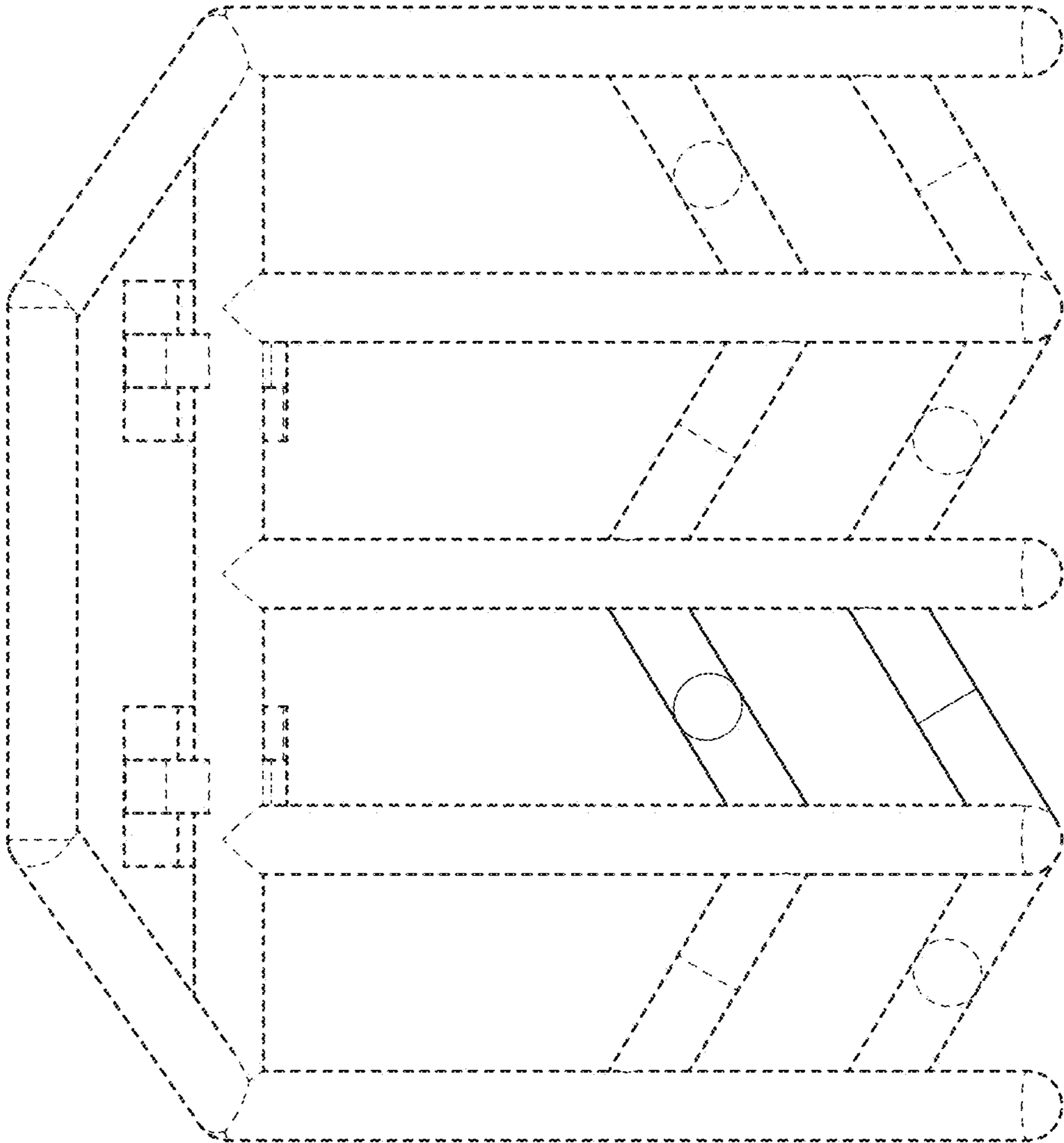


Fig. 15

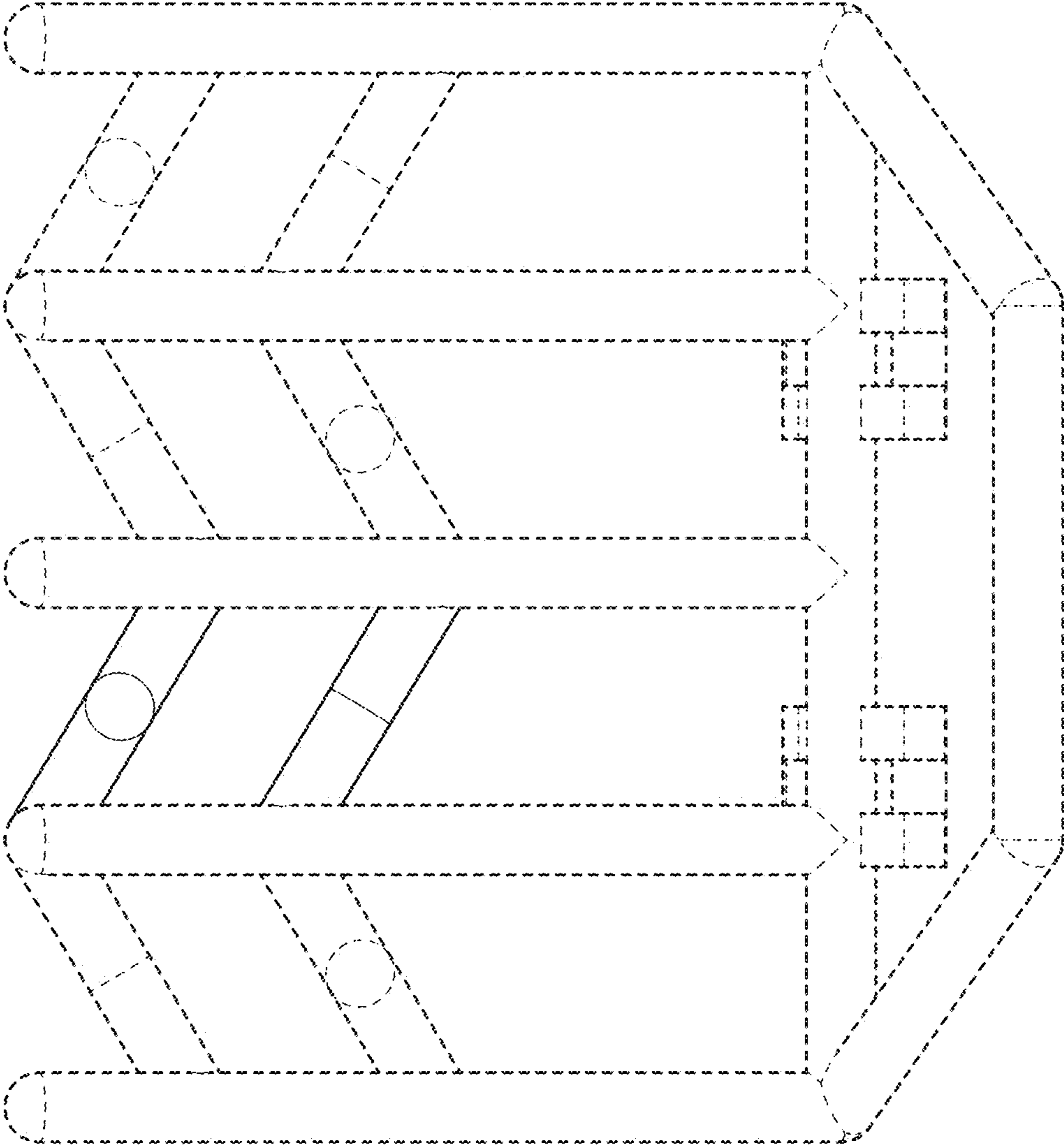


Fig. 16