



US00D939763S

(12) **United States Design Patent**
Vojvodic

(10) **Patent No.:** **US D939,763 S**
(45) **Date of Patent:** **** Dec. 28, 2021**

(54) **LIP PROTECTOR DEVICE**

(71) Applicant: **Jovanka Vojvodic**, New York, NY (US)

(72) Inventor: **Jovanka Vojvodic**, New York, NY (US)

(**) Term: **15 Years**

(21) Appl. No.: **29/738,576**

(22) Filed: **Jun. 18, 2020**

(51) **LOC (13) Cl.** **28-02**

(52) **U.S. Cl.**
USPC **D28/7**

(58) **Field of Classification Search**
USPC D28/7, 4; D24/189, 181, 180, 176,
D24/110.5; D29/108–110
CPC A63B 71/085; A63B 2071/086; A63B
2071/088; A61F 5/56; A61F 5/566; A61C
7/36; A61C 7/08; A42B 1/00
See application file for complete search history.

(56) **References Cited**

U.S. PATENT DOCUMENTS

1,970,622	A	8/1934	Petrucelly	
2,010,779	A	8/1935	Swartz	
2,032,672	A	3/1936	Smith	
2,133,093	A	10/1938	Greenberger	
2,434,078	A	1/1948	Malerman	
2,535,084	A	12/1950	Meunier	
3,041,627	A	7/1962	Davis	
D240,769	S *	7/1976	Bowman	D28/9
4,040,127	A *	8/1977	Slovitt	A45D 44/12 2/174
D321,065	S *	10/1991	Walker	D28/22
D323,215	S *	1/1992	Bergersen	D24/180
D393,331	S *	4/1998	Hester	D28/67

(Continued)

FOREIGN PATENT DOCUMENTS

JP	2010535584	A	11/2010
KR	20160070108	A	6/2016
KR	20170016057	A	2/2017

OTHER PUBLICATIONS

Moisturizing Lip Mask By: FREEORR found on Amazon Jul. 11, 2021 <https://www.amazon.com/FREEORR-Moisturizing-Restores-Effectively-Nourishes/dp/B08PCQY3H1/ref=> Mar. 20, 2021.*

(Continued)

Primary Examiner — Marissa J Cash

Assistant Examiner — Rebecca Tsehaye

(74) *Attorney, Agent, or Firm* — Rothwell, Figg, Ernst & Manbeck, P.C.

(57) **CLAIM**

The ornamental design for a lip protector device, as shown and described.

DESCRIPTION

FIG. 1 is a perspective view of the front, top, and left side of the lip protector device.

FIG. 2 is a front view of the lip protector device.

FIG. 3 is a rear view of the lip protector device.

FIG. 4 is a top view of the lip protector device.

FIG. 5 is a bottom view of the lip protector device.

FIG. 6 is a left side view of the lip protector device.

FIG. 7 is a right side view of the lip protector device.

FIG. 8 is a perspective view of the front, top, and right side of the lip protector device.

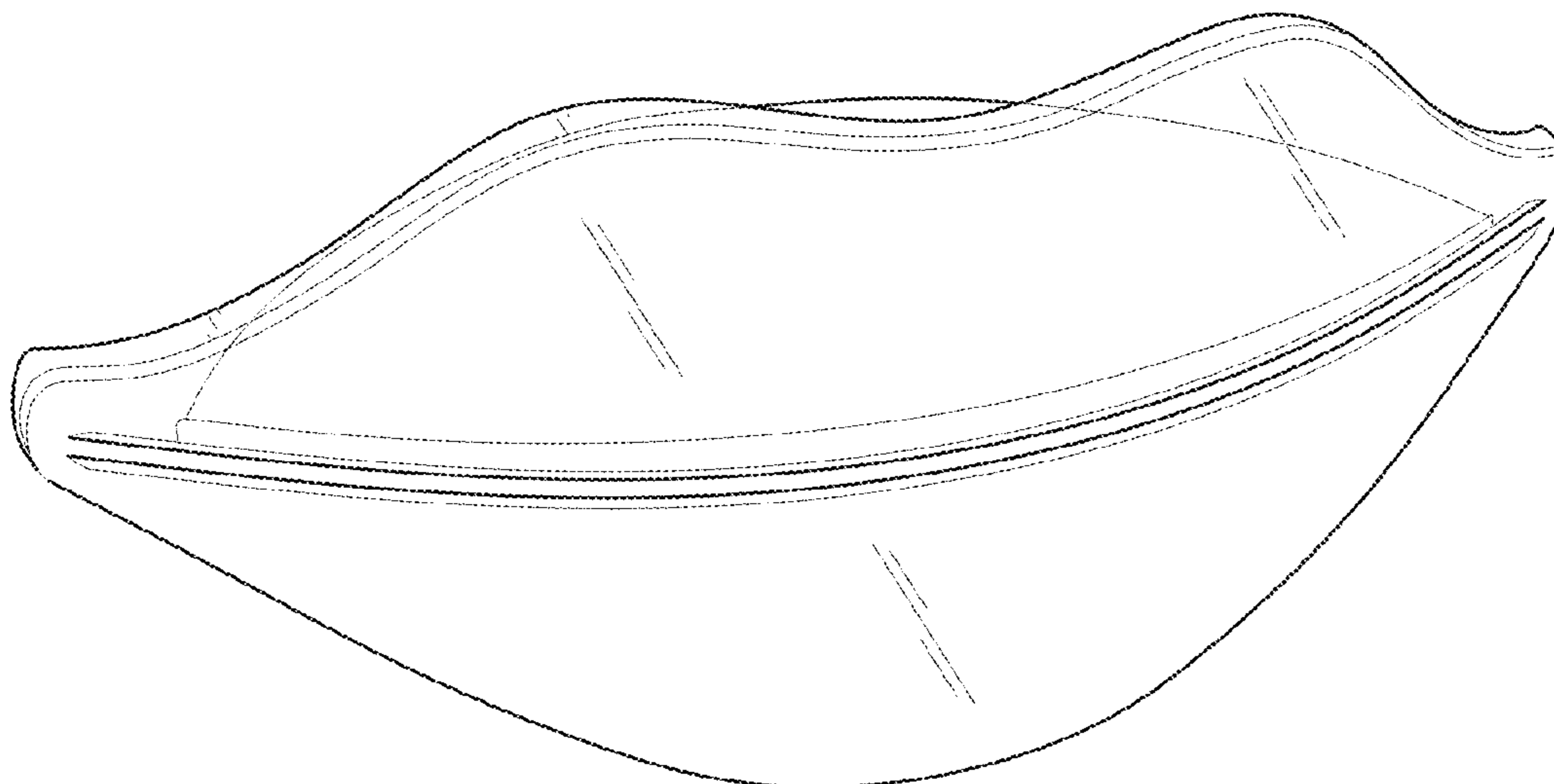
FIG. 9 is a perspective view of the rear, top, and right side of the lip protector device.

FIG. 10 is a perspective view of the rear, top, and left side of the lip protector device; and,

FIG. 11 is a perspective view of the rear, bottom, and right side of the lip protector device.

The broken lines in the drawings depict portions of the lip protector device that form no part of the claimed design.

1 Claim, 11 Drawing Sheets



(56)

References Cited

U.S. PATENT DOCUMENTS

6,732,737	B1	5/2004	Brown	
D623,357	S	9/2010	Manzo et al.	
D722,170	S *	2/2015	Bergersen D24/181
D757,360	S *	5/2016	Artaud D28/7
D775,763	S *	1/2017	Marchica D28/7
D795,439	S *	8/2017	Mounce D24/181
D873,148	S *	1/2020	Thomas D9/624
D874,274	S *	2/2020	Katopis D9/451
D886,371	S *	6/2020	Oh D28/7
D909,672	S *	2/2021	Williams D28/7
D924,481	S *	7/2021	Cota D28/7
2008/0050693	A1	2/2008	Fischer et al.	
2014/0290684	A1 *	10/2014	Samain A45D 40/30 132/200
2016/0230007	A1	8/2016	Johnson et al.	
2017/0165102	A1	6/2017	Walls	
2018/0078405	A1	3/2018	Farrell	

OTHER PUBLICATIONS

“SomniShop Set Silence 100: Mouth Guard somnipax shield and Nasal Dilator somnipax breathe” obtained on Jun. 10, 2020 from <https://somniahop.net/shop/mouth-guard-somnipax-shield-and-nasal-dilator-somnipax-breathe/>, 2 pages.

“HH-0582 wholesale funny full toy fake plastic big red kiss me lips” obtained on Jun. 10, 2020 from https://www.alibaba.com/product-detail/HH-0582-wholesale-funny-full-toy_60356357484.html, 2 pages.

“BalleenShiny Safe Baby Red Kiss Lips Pacifier, Soother Holder Toys Feeder Toy” obtained on Jun. 10, 2020 from <https://www.allforall.shop/products/balleenshiny-safe-baby-red-kiss-lips-pacifier-soother-holder-toys-feeder-toy?variant=29226366533655>, 4 pages.

“Lip Shaped Toothpaste Squeezer” obtained on Jun. 10, 2020 from <https://eli.am/en/gift/9200/>, 2 pages.

“Wax Lips” obtained on Jun. 10, 2020 from <https://tootsie.com/candy/wack-o-wax/wax-lips>, 3 pages.

“Lips” obtained on Jun. 10, 2020 from <https://kkwfragrance.com/collections/kylie-jenner-by-kkw-fragrance>, 2 pages.

* cited by examiner

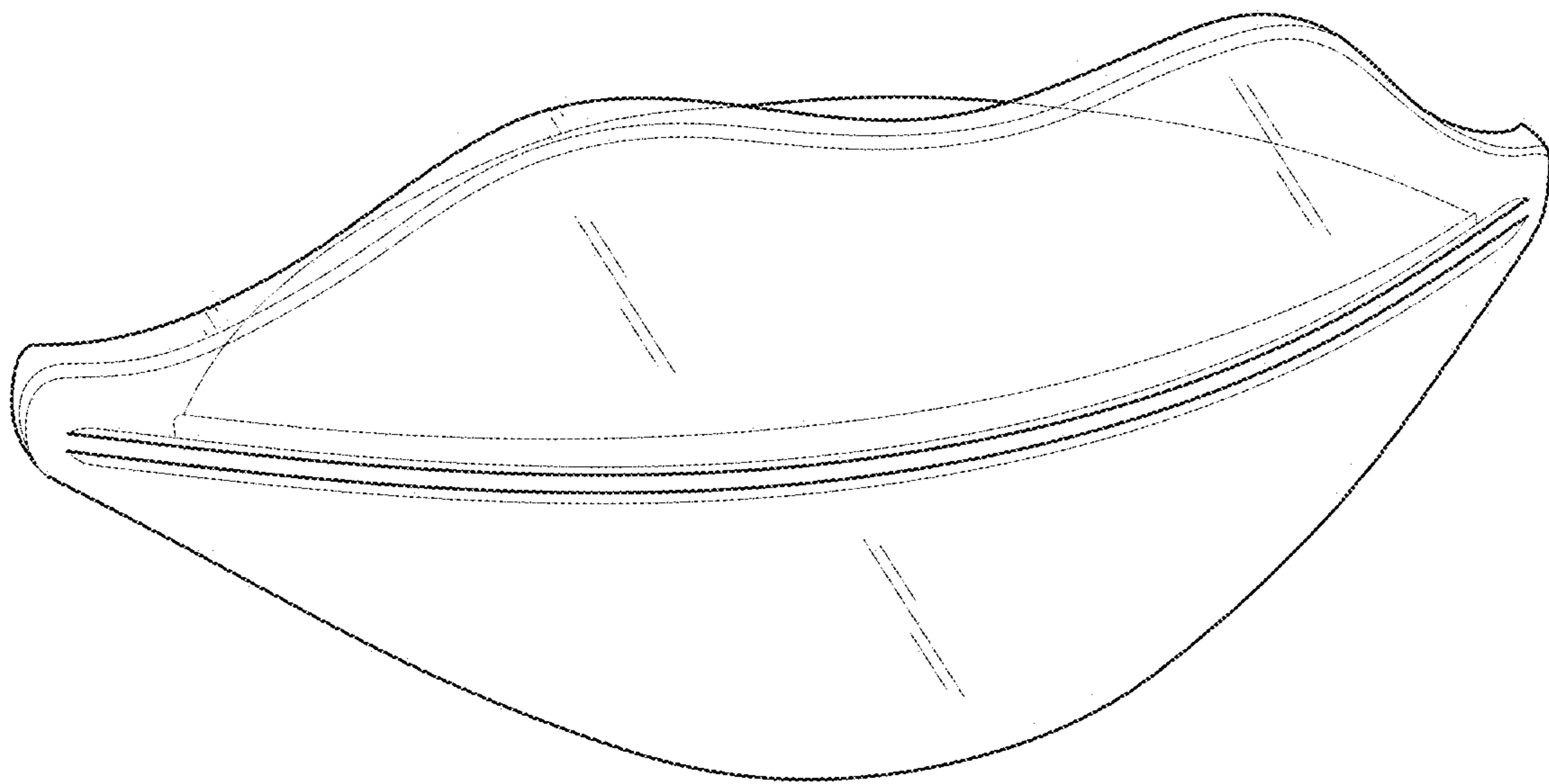


FIG. 1

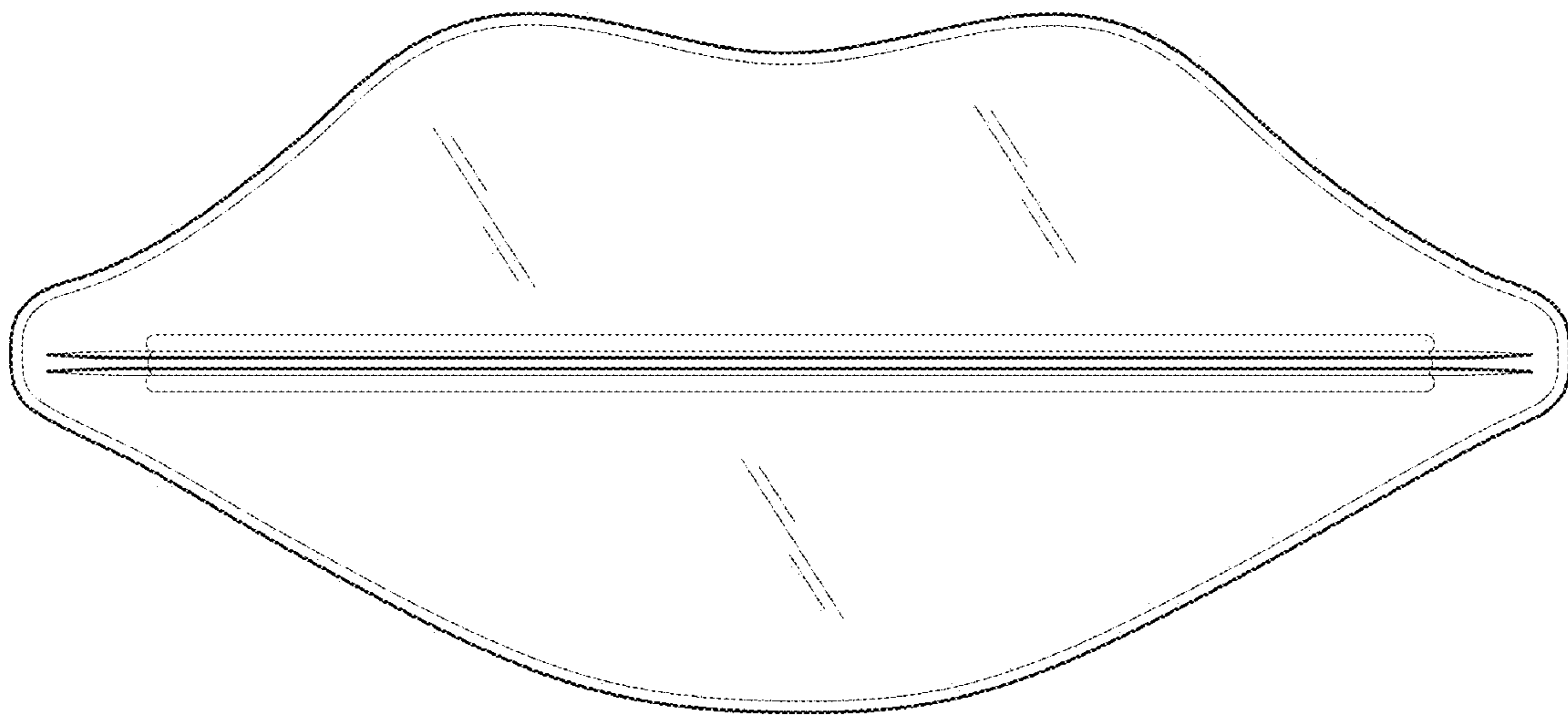


FIG. 2

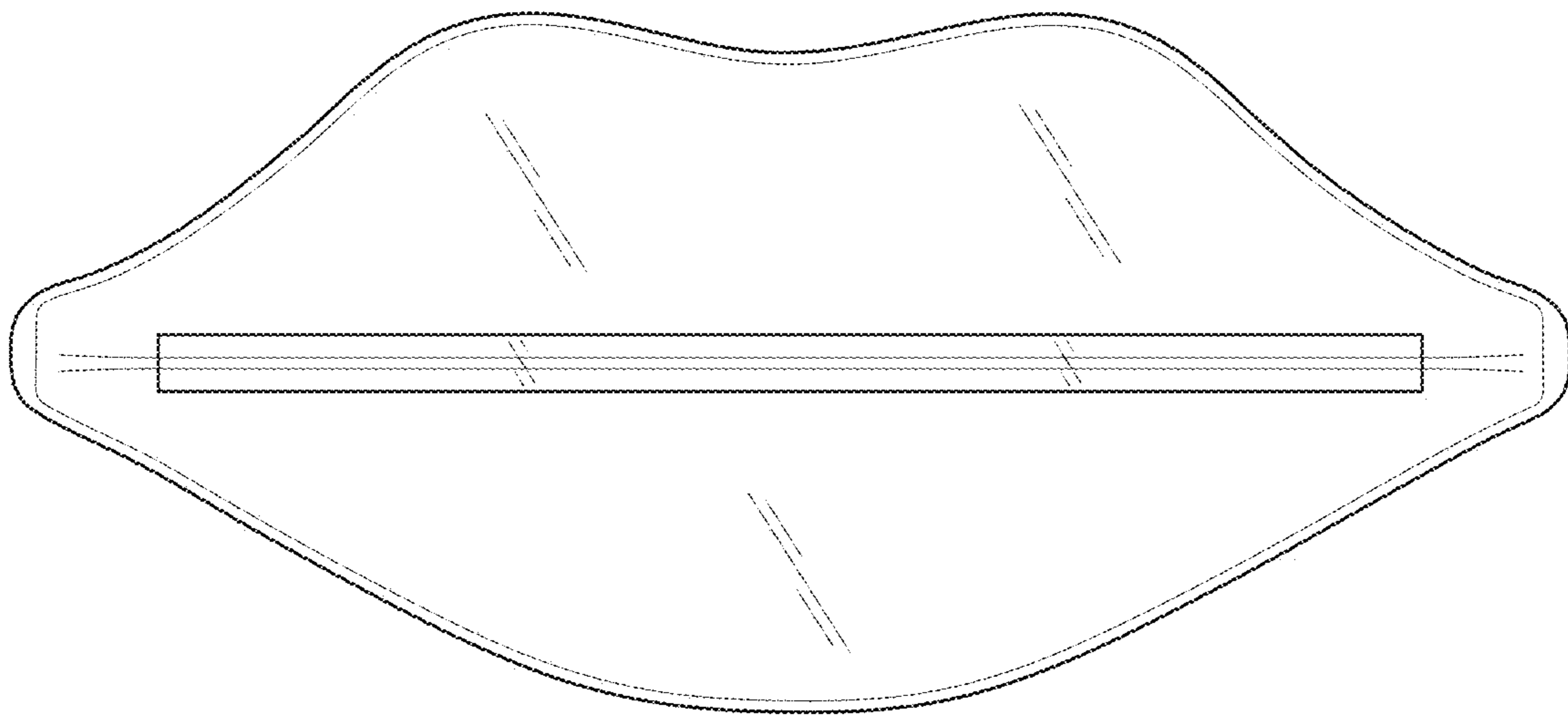


FIG. 3

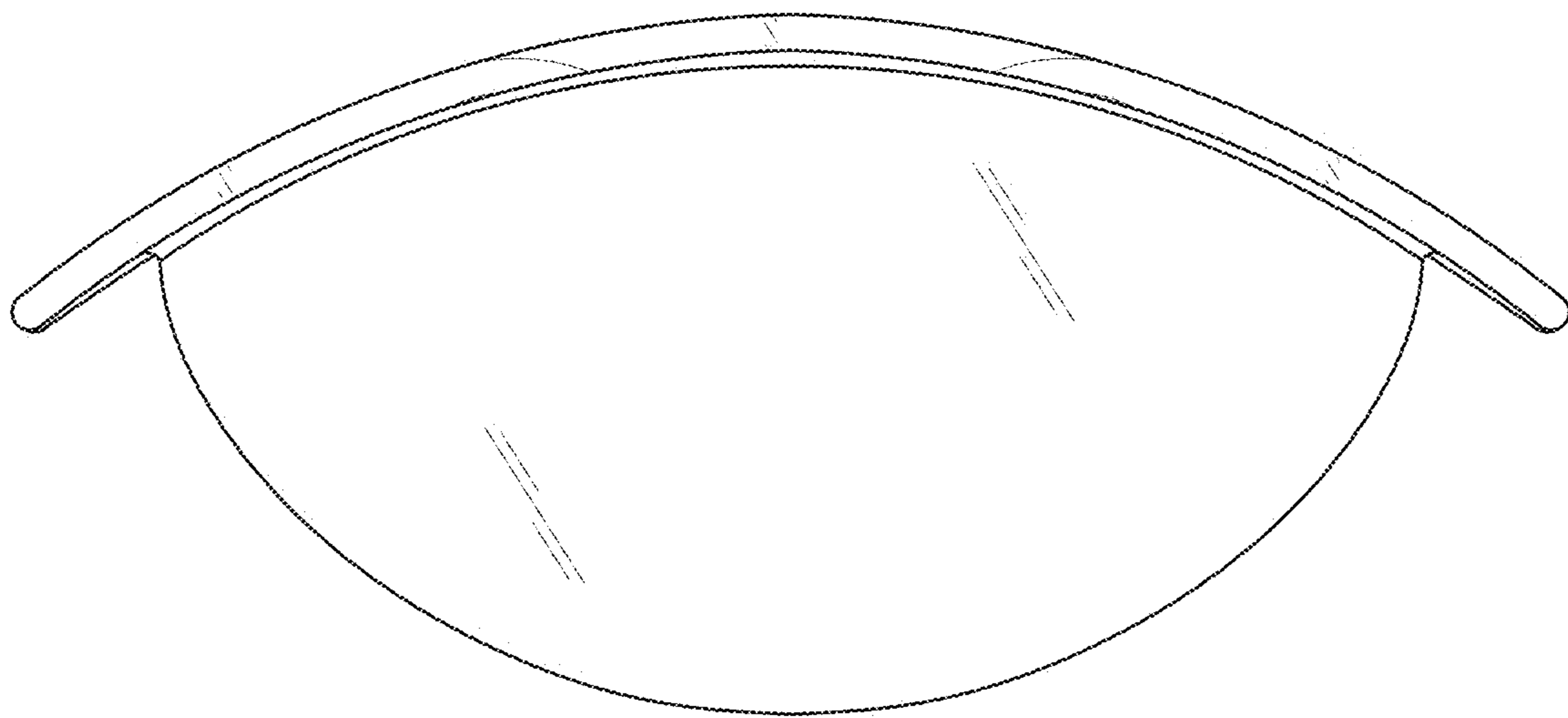


FIG. 4

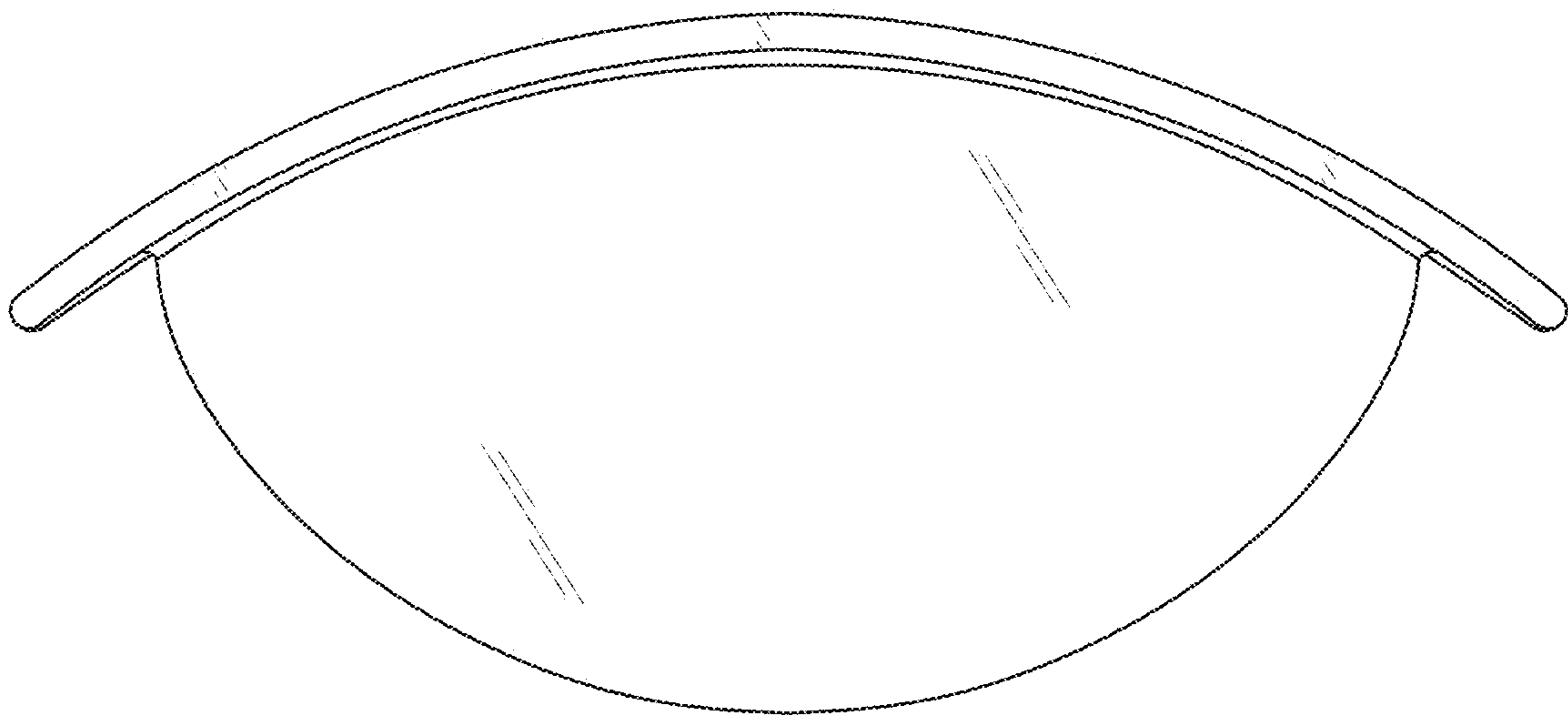


FIG. 5

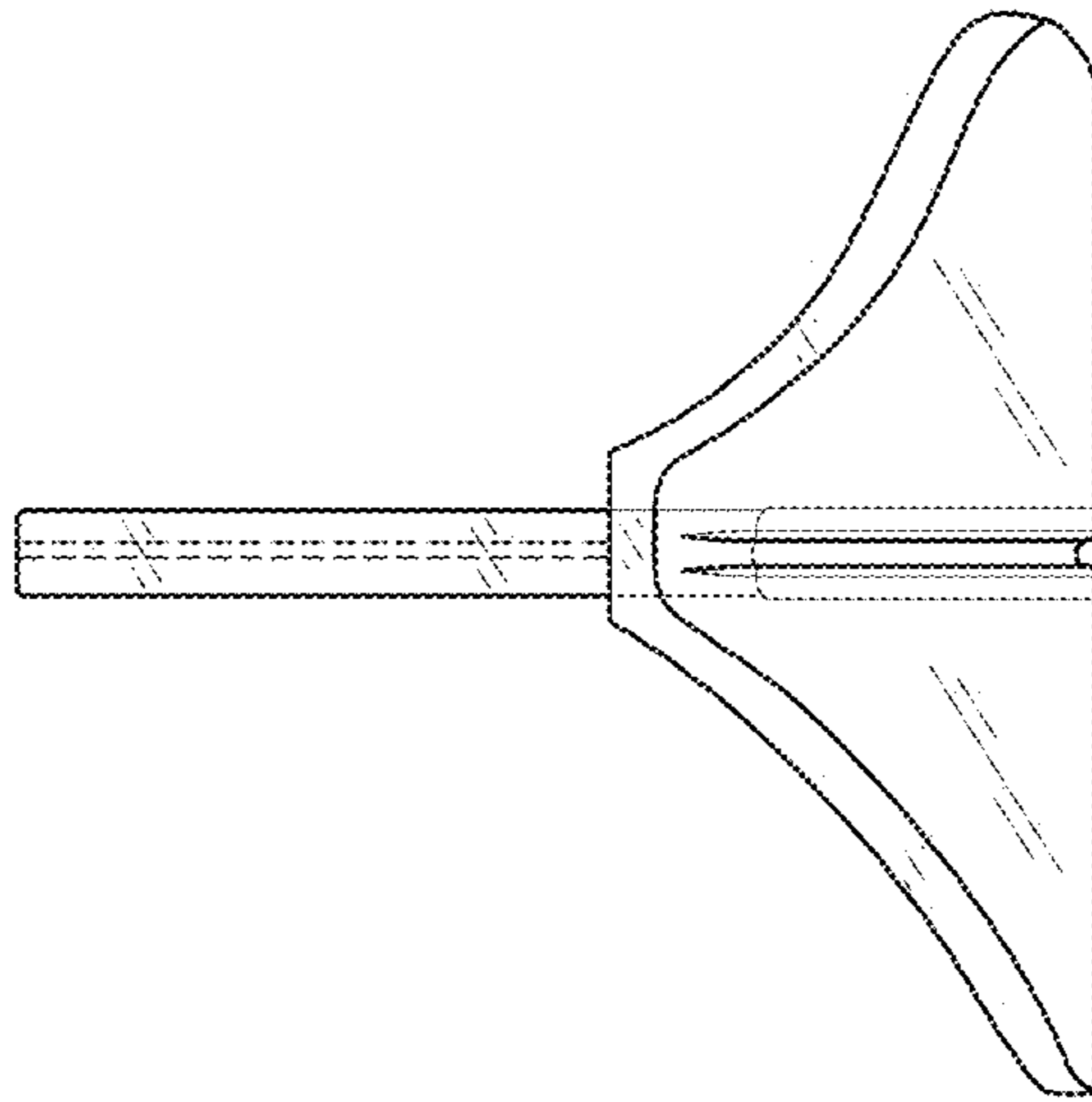


FIG. 6

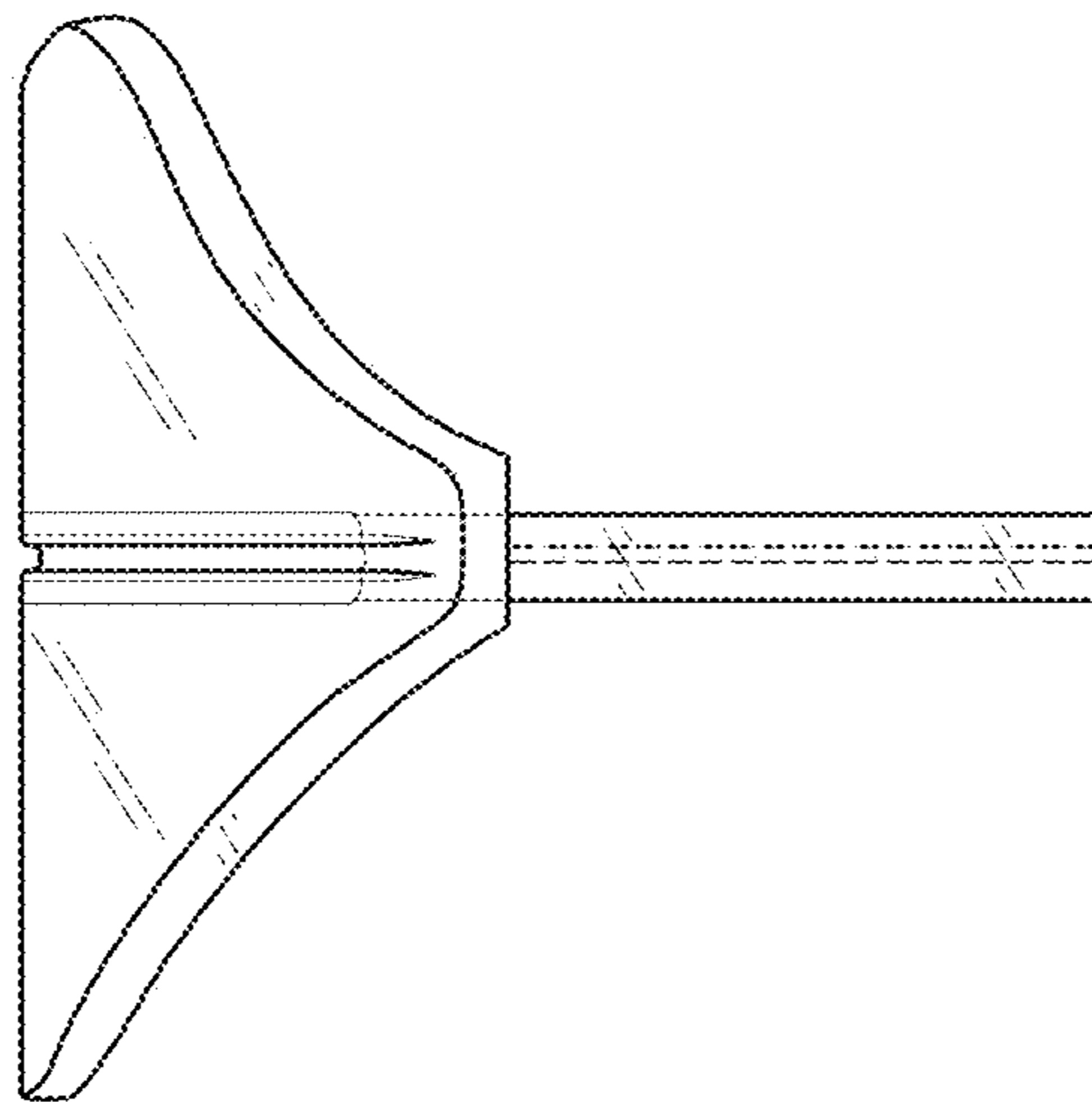


FIG. 7

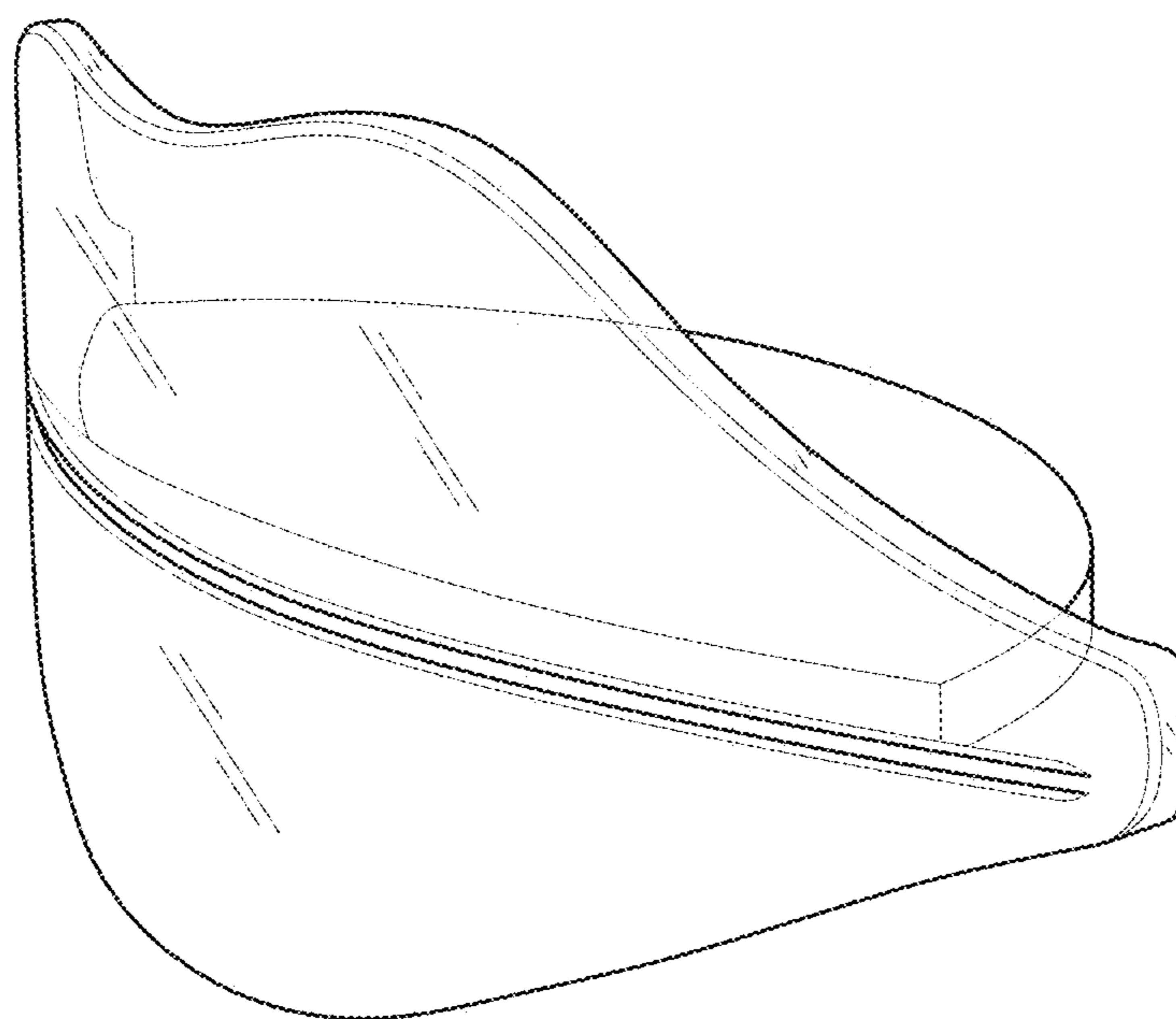


FIG. 8

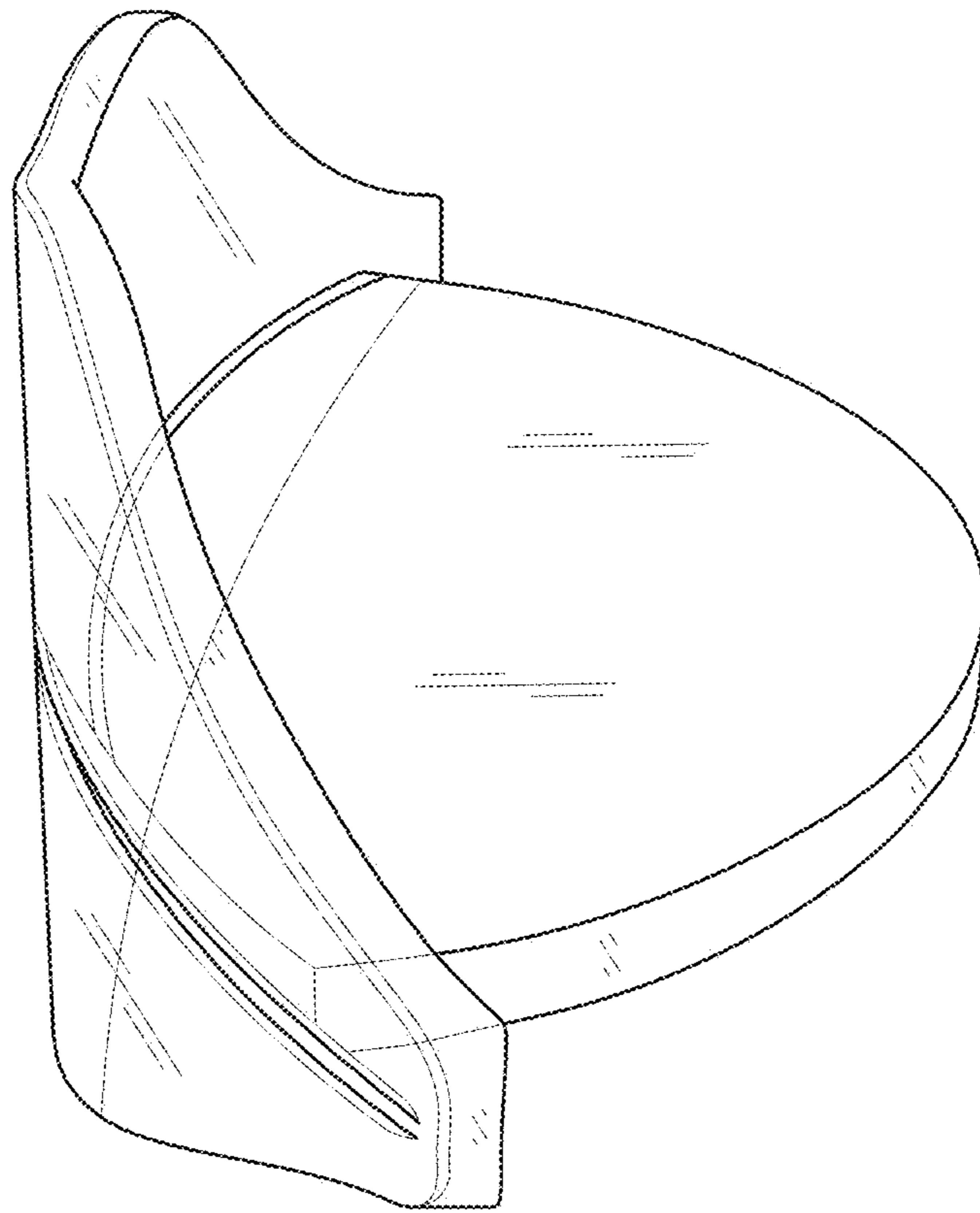


FIG. 9

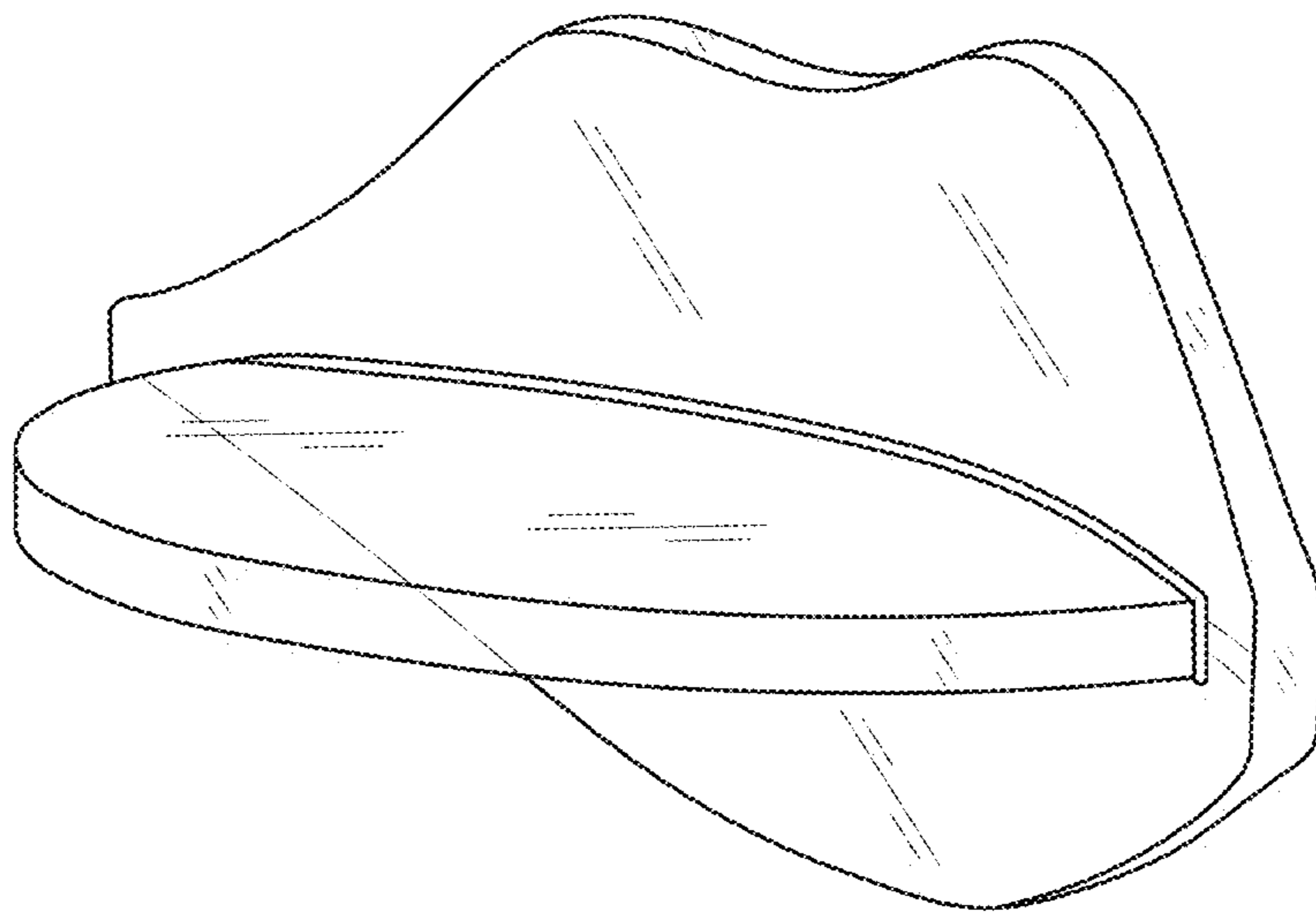


FIG. 10

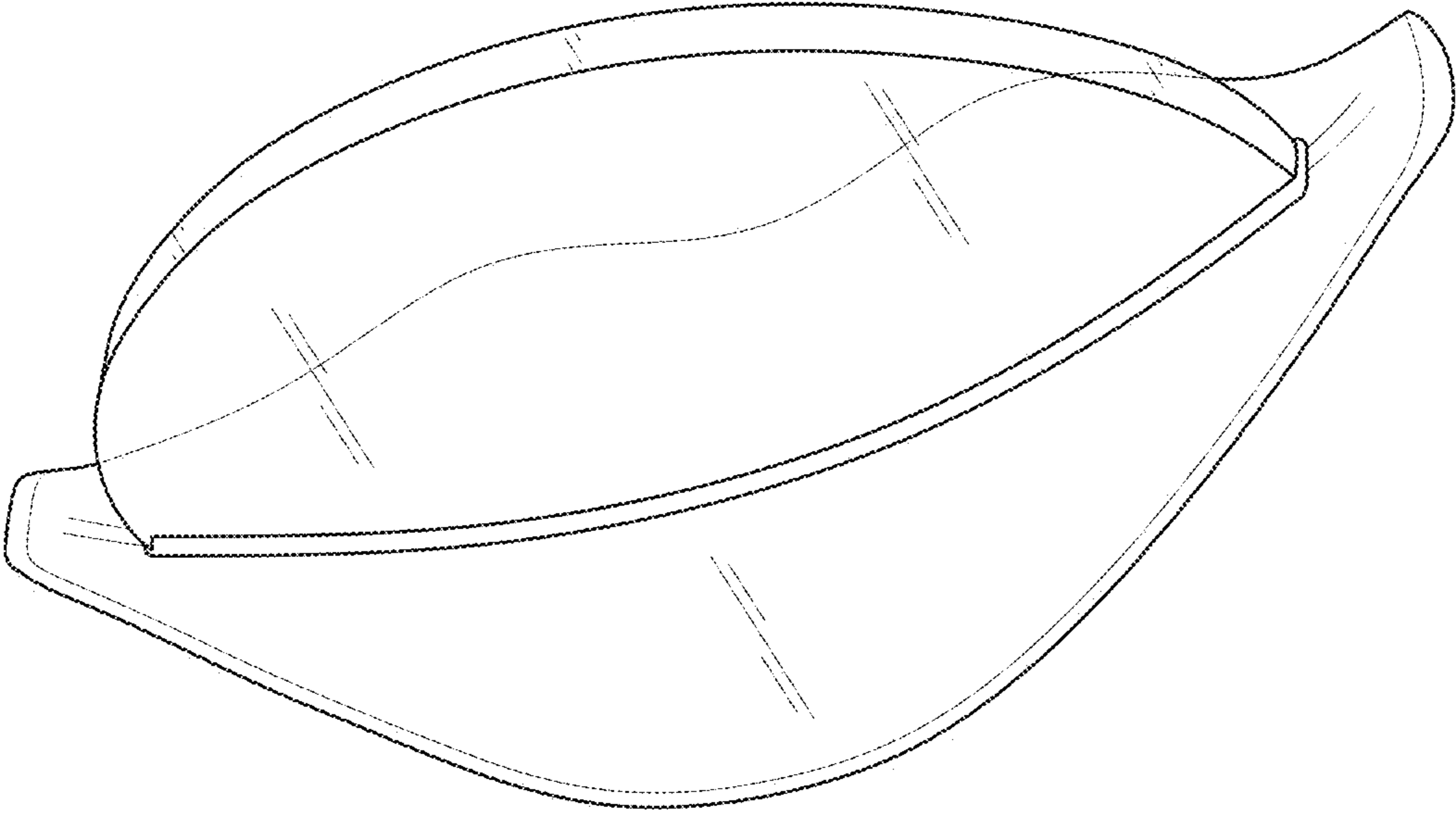


FIG. 11