

US00D939760S

(12) **United States Design Patent** (10) **Patent No.:** **US D939,760 S**
Cai (45) **Date of Patent:** **** Dec. 28, 2021**

(54) **LIGHT REFLECTOR**

(71) Applicant: **AUTEL INTELLIGENT TECHNOLOGY CORP., LTD.**, Guangdong (CN)

(72) Inventor: **Zhenyu Cai**, Guangdong (CN)

(73) Assignee: **AUTEL INTELLIGENT TECHNOLOGY CORP., LTD.**, Shenzhen (CN)

(**) Term: **15 Years**

(21) Appl. No.: **29/654,480**

(22) Filed: **Jun. 25, 2018**

(30) **Foreign Application Priority Data**

Dec. 25, 2017 (CN) 201730666936.2

(51) **LOC (13) Cl.** **26-05**

(52) **U.S. Cl.**
USPC **D26/138**

(58) **Field of Classification Search**

USPC D26/72, 74, 76, 78-83, 85, 86, 88, 90, D26/93, 111, 113, 118, 119, 120, 121, D26/122, 138, 139, 140, 141, 142, 152; D10/46, 65, 70
CPC F21S 2/00; F21S 4/00; F21S 4/003; F21S 4/005; F21S 4/006; F21S 4/007; F21S 4/008; F21S 6/00; F21S 8/00; F21S 8/024; F21S 8/026; F21S 8/031; F21S 8/033; F21S 8/035-037; F21S 8/04; F21S 8/043; F21S 8/063

See application file for complete search history.

(56) **References Cited**

U.S. PATENT DOCUMENTS

D561,370 S * 2/2008 Sandell D26/63
D564,694 S * 3/2008 Southern, Jr. D26/76

D604,871 S * 11/2009 Denton D26/24
D744,040 S * 11/2015 Schloss G09F 13/18
D20/10
D751,236 S * 3/2016 Renshaw D26/89
D776,328 S * 1/2017 Bacus D26/113
D776,665 S * 1/2017 Karlsson D14/439
D808,069 S * 1/2018 Toft D26/152
D853,626 S * 7/2019 Merovitz D26/139
D863,079 S * 10/2019 Cai D10/65
D870,814 S * 12/2019 Florczak D20/10
D883,112 S * 5/2020 Cai D10/70
D883,119 S * 5/2020 Cai D10/103
D883,380 S * 5/2020 Cai D19/113
D900,379 S * 10/2020 McLaughlin D26/118
D910,624 S * 2/2021 Hudgins D14/371

* cited by examiner

Primary Examiner — Natasha Vujcic

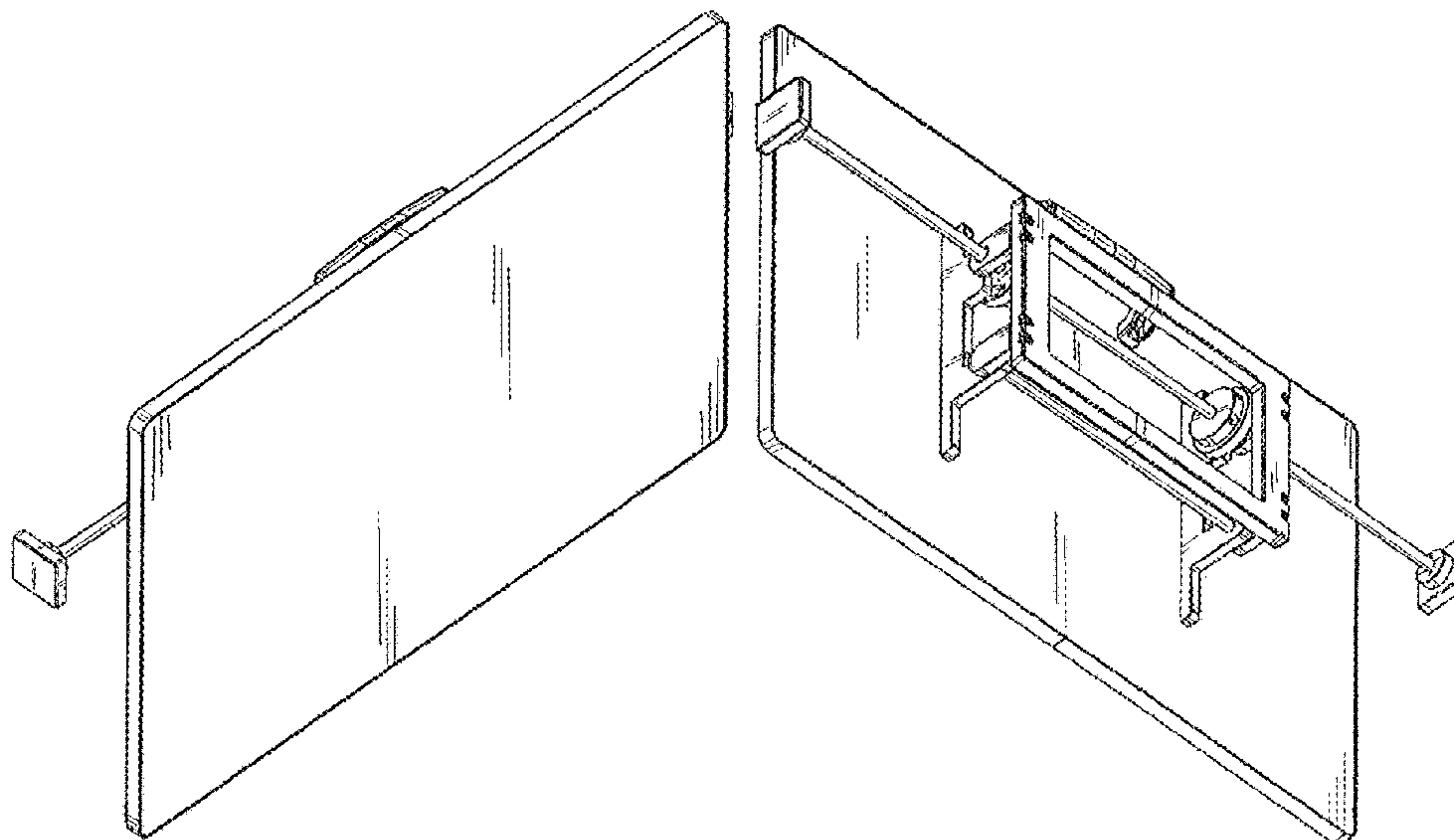
(57) **CLAIM**

The ornamental design for a light reflector, as shown and described.

DESCRIPTION

FIG. 1 is a perspective view of a light reflector showing my new design;
FIG. 2 is another perspective view thereof;
FIG. 3 is a front elevational view thereof;
FIG. 4 is a rear elevational view thereof;
FIG. 5 is a left side elevational view thereof;
FIG. 6 is a right side elevational view thereof;
FIG. 7 is a top plan view thereof; and,
FIG. 8 is a bottom plan view thereof.
The broken line portions in FIGS. 7 and 8 form no part of the claimed design.

1 Claim, 4 Drawing Sheets



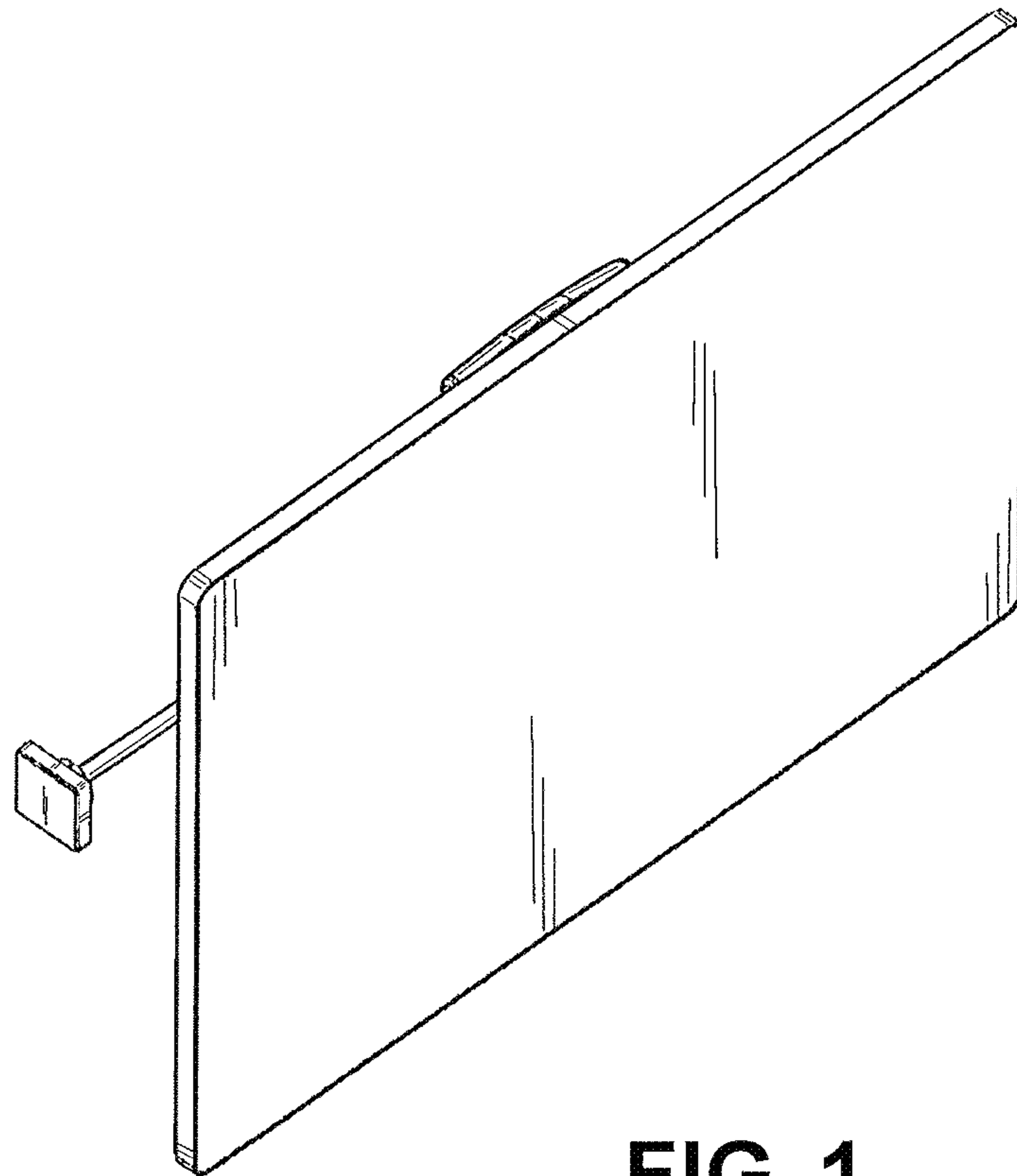


FIG. 1

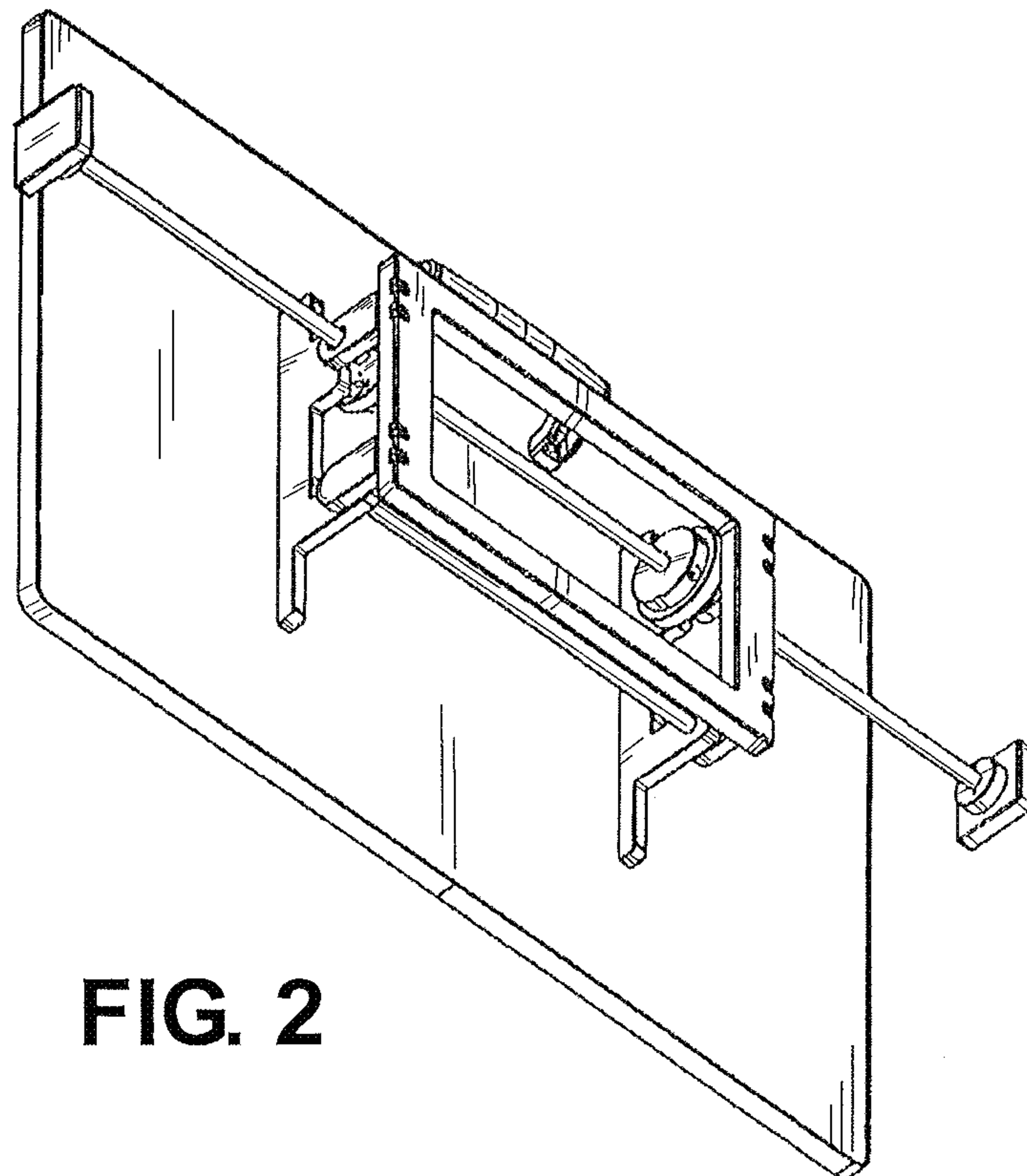


FIG. 2

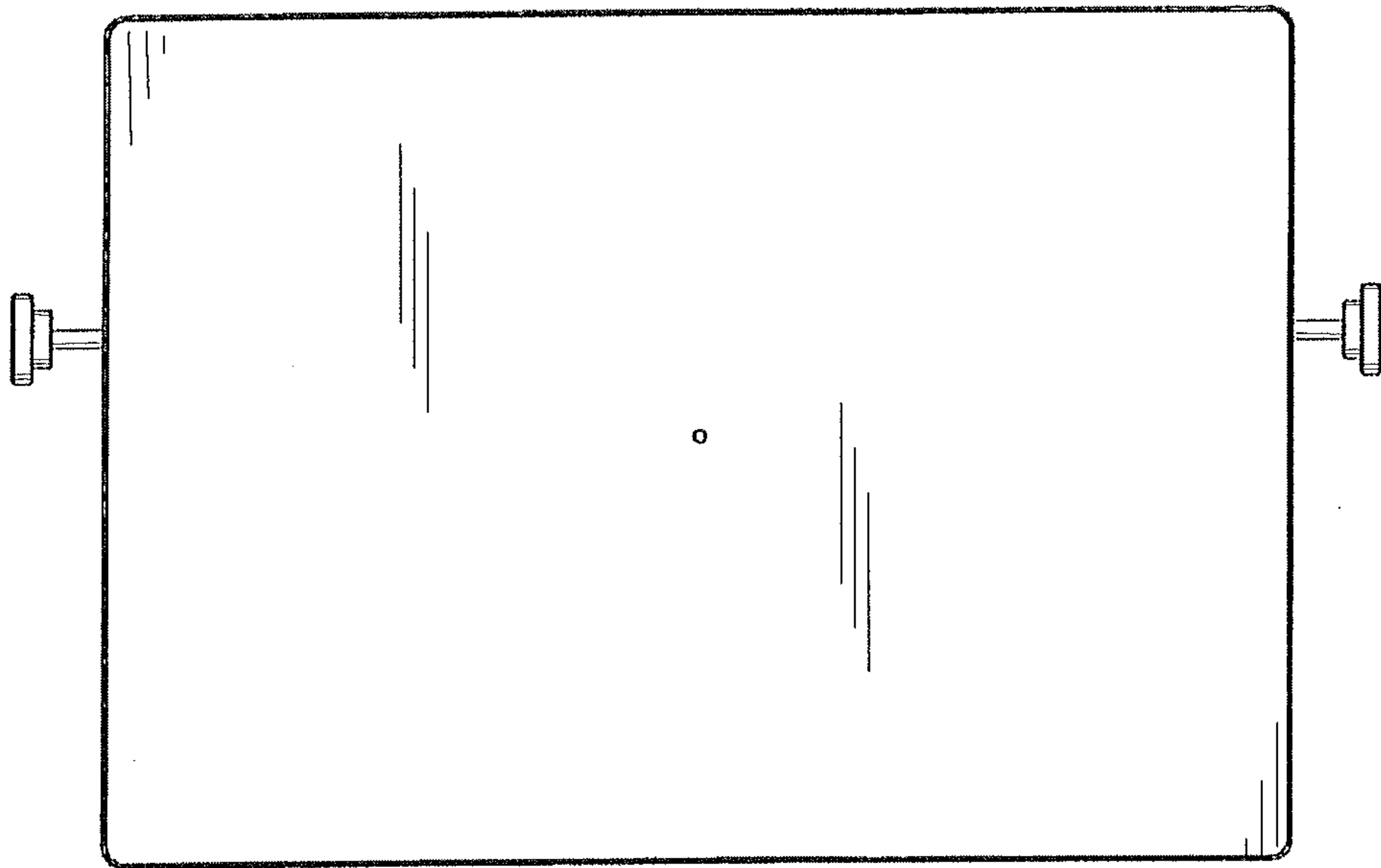


FIG. 3

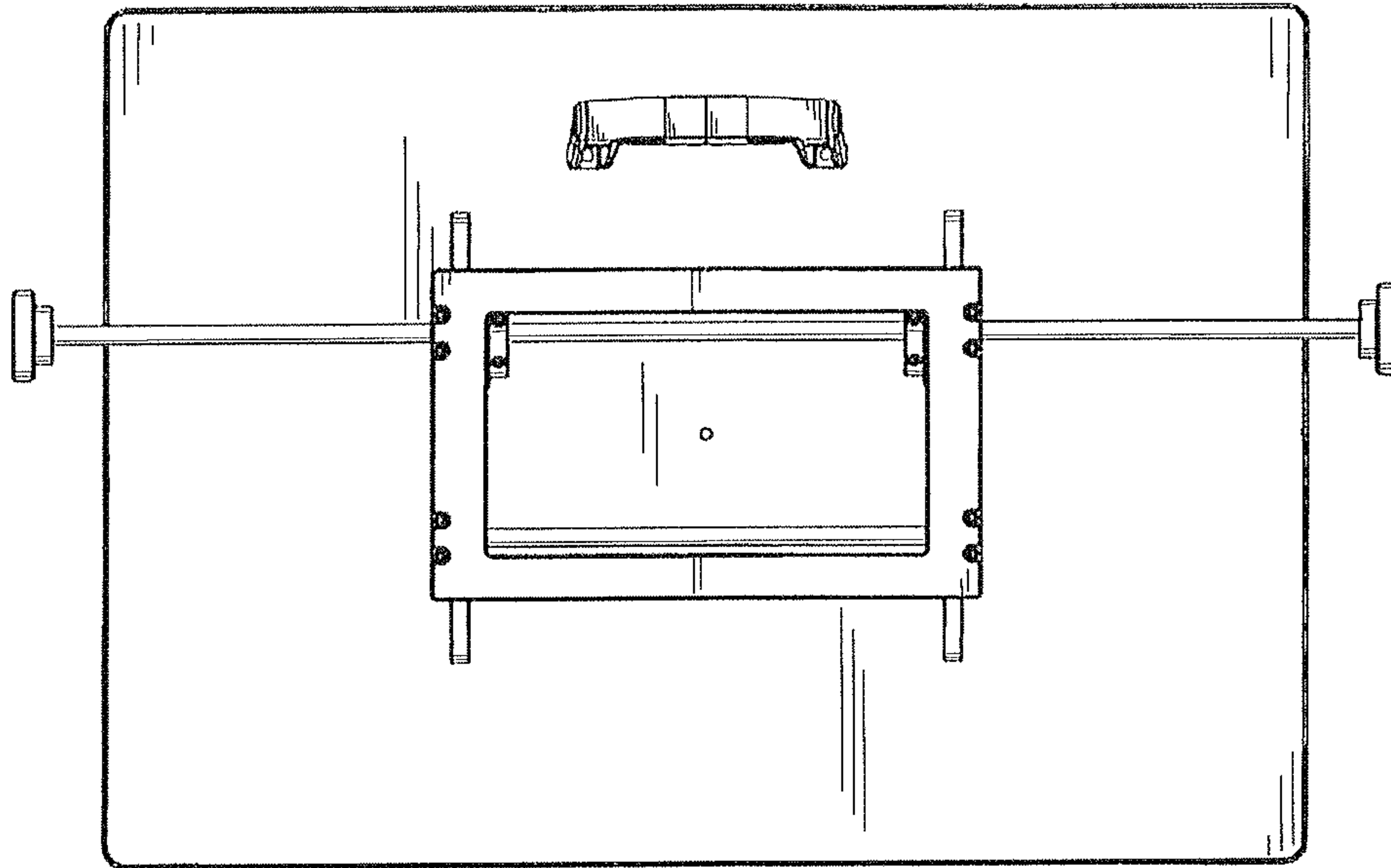


FIG. 4

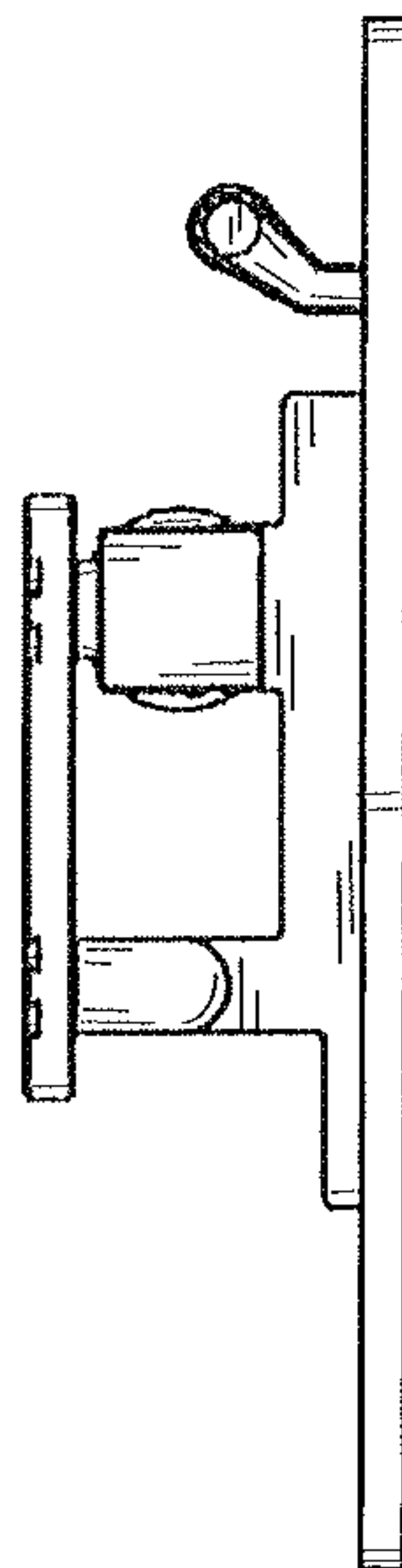


FIG. 5

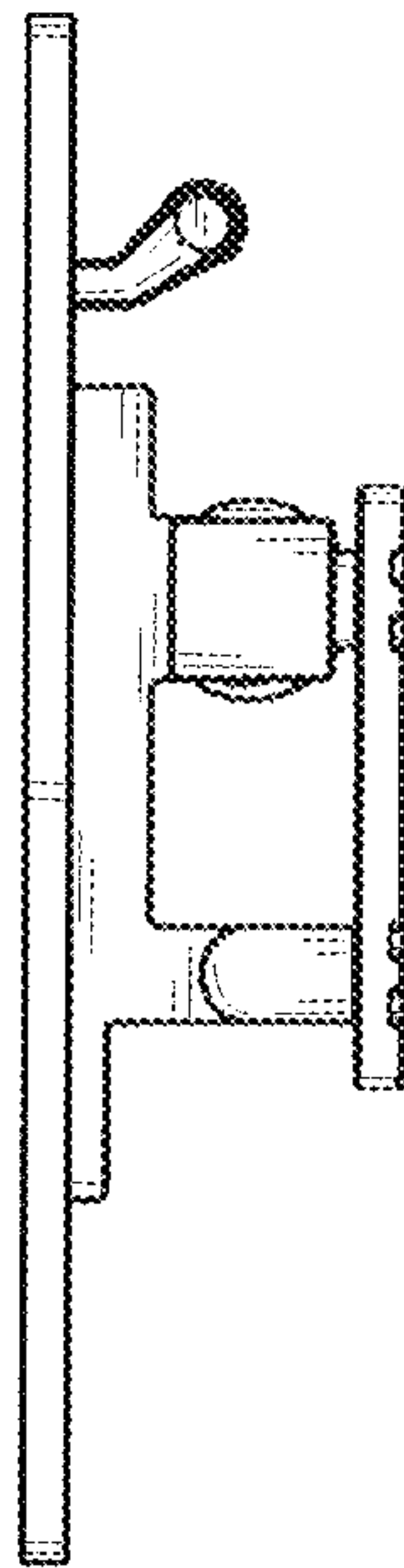


FIG. 6

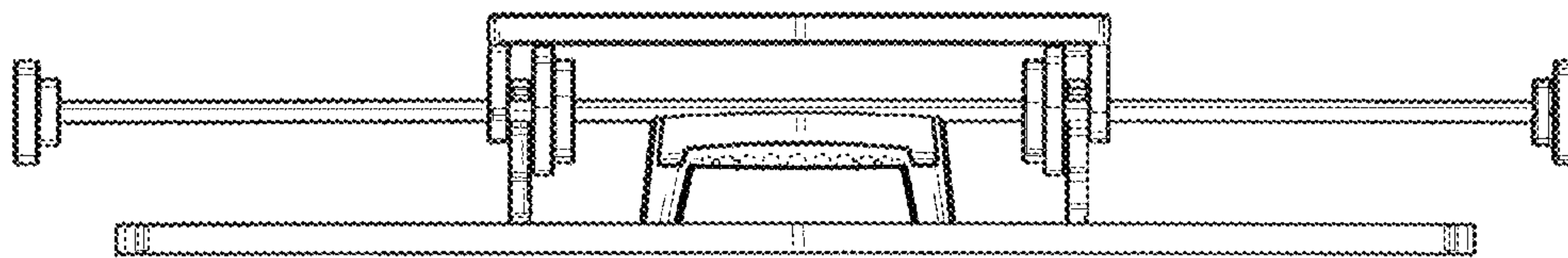


FIG. 7

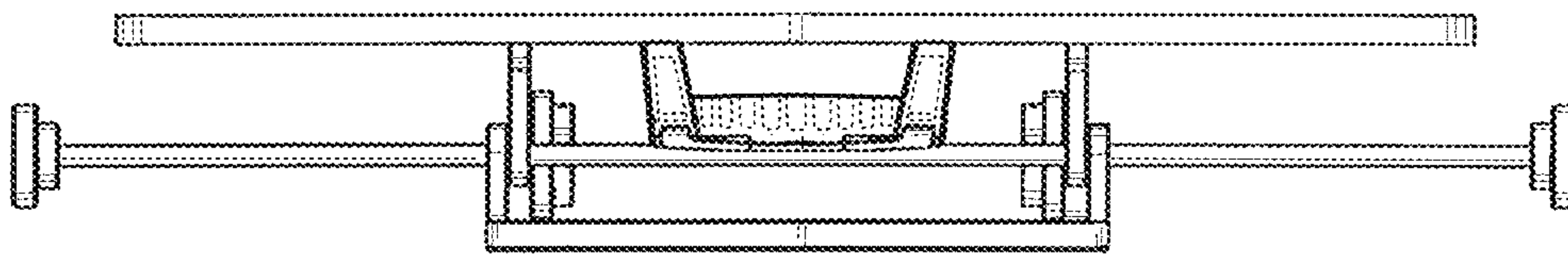


FIG. 8