



US00D939759S

(12) **United States Design Patent** (10) **Patent No.:** **US D939,759 S**
Boontje (45) **Date of Patent:** **** Dec. 28, 2021**

(54) **TABLE LIGHT**

(71) Applicant: **Swarovski Aktiengesellschaft**, Triesen (LI)

(72) Inventor: **Tord Boontje**, London (GB)

(73) Assignee: **SWAROVSKI AKTIENGESELLSCHAFT**, Triesen (LI)

(**) Term: **15 Years**

(21) Appl. No.: **29/688,024**

(22) Filed: **Apr. 17, 2019**

(30) **Foreign Application Priority Data**

Mar. 27, 2019 (EM) 006345583-0001

(51) **LOC (13) Cl.** **26-05**

(52) **U.S. Cl.**
USPC **D26/106**

(58) **Field of Classification Search**

USPC D26/93, 108, 112
CPC F21V 3/00; F21V 5/007; F21W 2131/406;
F21W 2121/006; F21S 6/00; F21S 6/002;
F21S 10/00; F21S 10/06
See application file for complete search history.

(56) **References Cited**

U.S. PATENT DOCUMENTS

D298,468 S * 11/1988 Ramella D26/106
D412,593 S * 8/1999 Lin D26/106
D497,014 S * 10/2004 Lee D26/106
D514,247 S * 1/2006 Suzuki D26/106
D764,960 S * 8/2016 Schweiger D11/89
D767,441 S * 9/2016 Schweiger D11/89
D767,812 S * 9/2016 Skira D26/106
D779,704 S * 2/2017 Urquiola D26/93
D821,629 S * 6/2018 Amato D26/106

D849,314 S * 5/2019 Pan D26/106
D879,360 S * 3/2020 Zeng D26/110
D879,361 S * 3/2020 Zeng D26/110

(Continued)

FOREIGN PATENT DOCUMENTS

CN 300879715 * 1/2009
EM 004394344-0002 10/2017

OTHER PUBLICATIONS

Light Drops and Radiant Table Light at EuroLuce News Tord Boontje <https://tordboontje.com/news/light-drops-radiant-table-light-euroluce/> Apr. 2019 (Year: 2019).*

(Continued)

Primary Examiner — Leanne Was-Englehart

(74) Attorney, Agent, or Firm — Baker McKenzie LLP

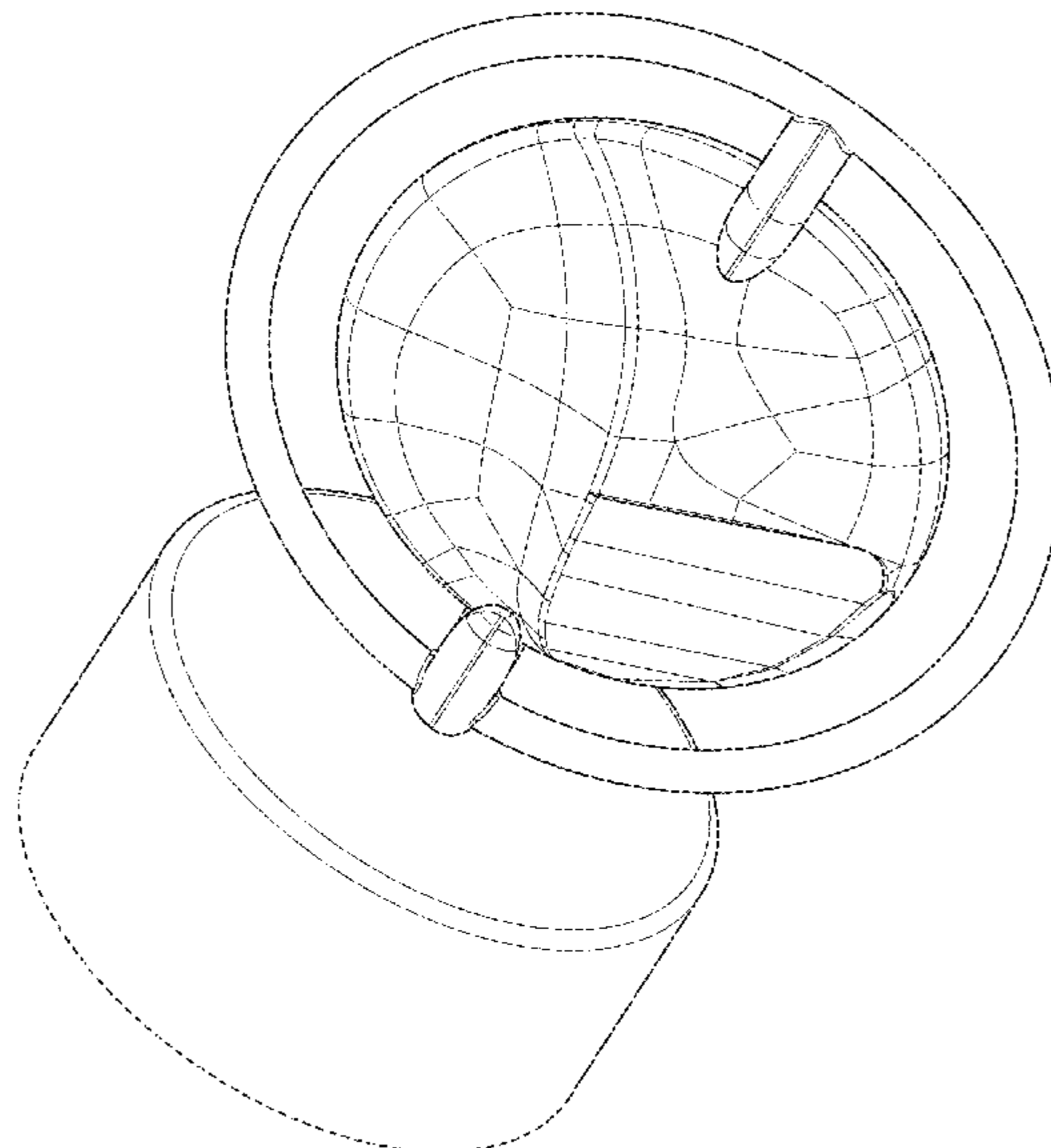
(57) **CLAIM**

The ornamental design for a table light, as shown and described.

DESCRIPTION

FIG. 1 is a perspective view of a table light in accordance with my design;
FIG. 2 is a front view of a table light in accordance with my design;
FIG. 3 is a back view of a table light in accordance with my design;
FIG. 4 is a left view of a table light in accordance with my design;
FIG. 5 is a right view of a table light in accordance with my design;
FIG. 6 is a top view of a table light in accordance with my design; and,
FIG. 7 is a bottom view of a table light in accordance with my design.
Portions of the article shown in broken lines form no part of the claimed design.

1 Claim, 7 Drawing Sheets



(56)

References Cited

U.S. PATENT DOCUMENTS

D891,682 S * 7/2020 Wei D26/93
D917,773 S * 4/2021 Amato D26/106
D925,099 S * 7/2021 Wei D26/106

OTHER PUBLICATIONS

Tord Boontje Unveils New Lighting Collection with Swarovski
<https://www.galeriemagazine.com/tord-boontje-swarovski/> Apr. 11,
2019 (Year: 2019).*

“Globe LED Table Lamp,” [online] retrieved from <https://www.ylighting.com/globe-led-table-lamp-by-lee-broom-LEEY13255.html>.

* cited by examiner

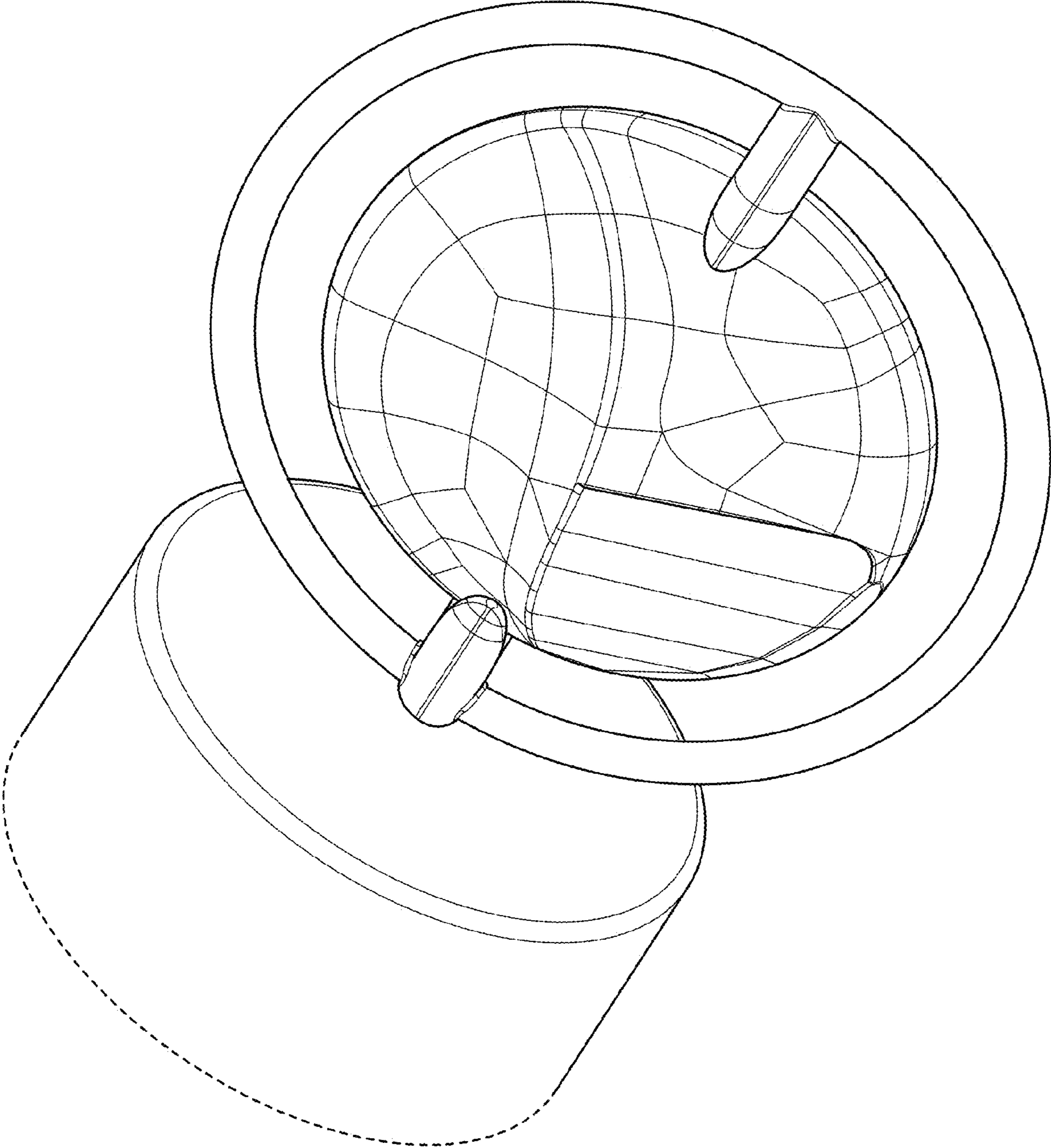


FIG. 1

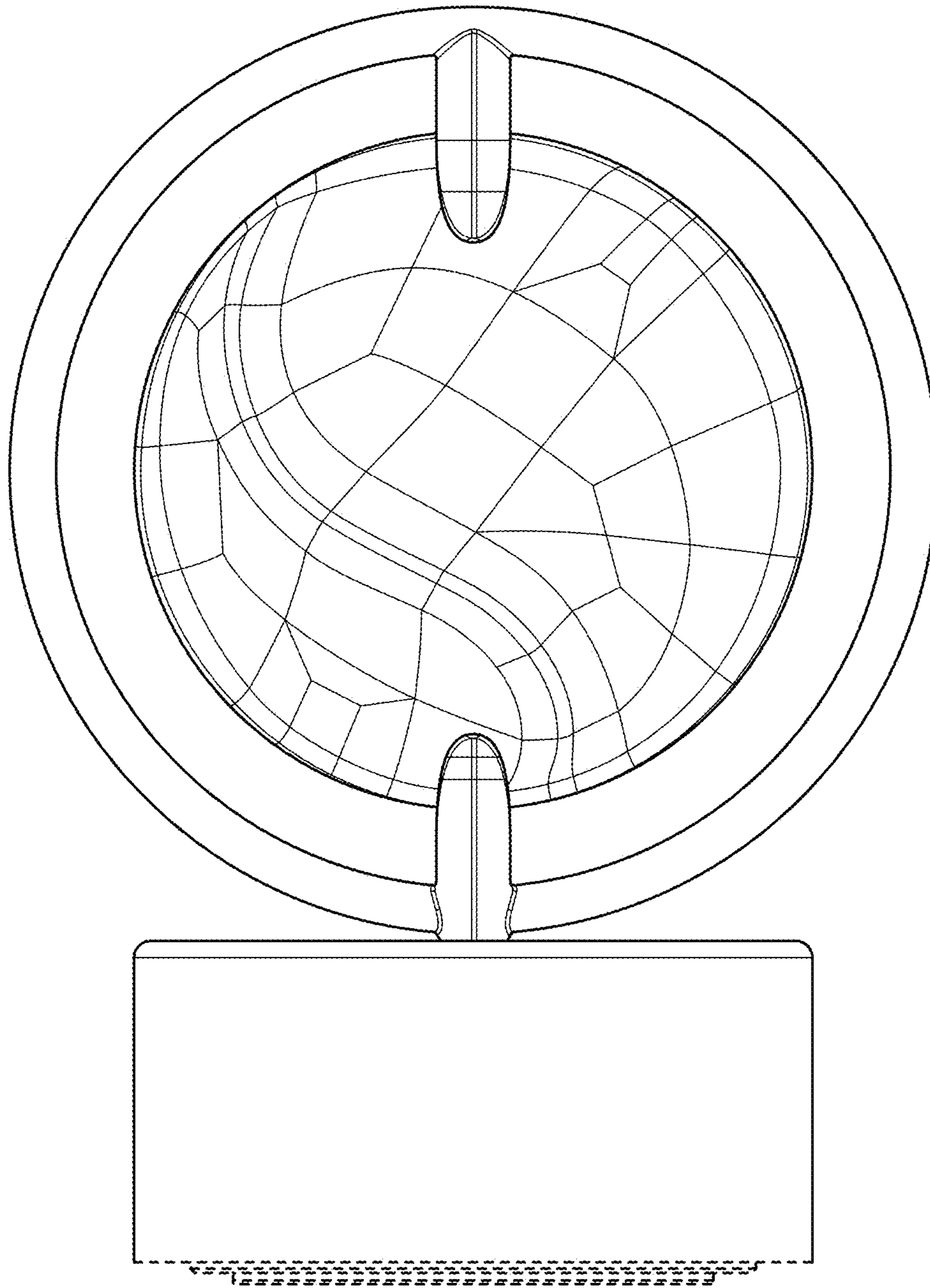


FIG. 2

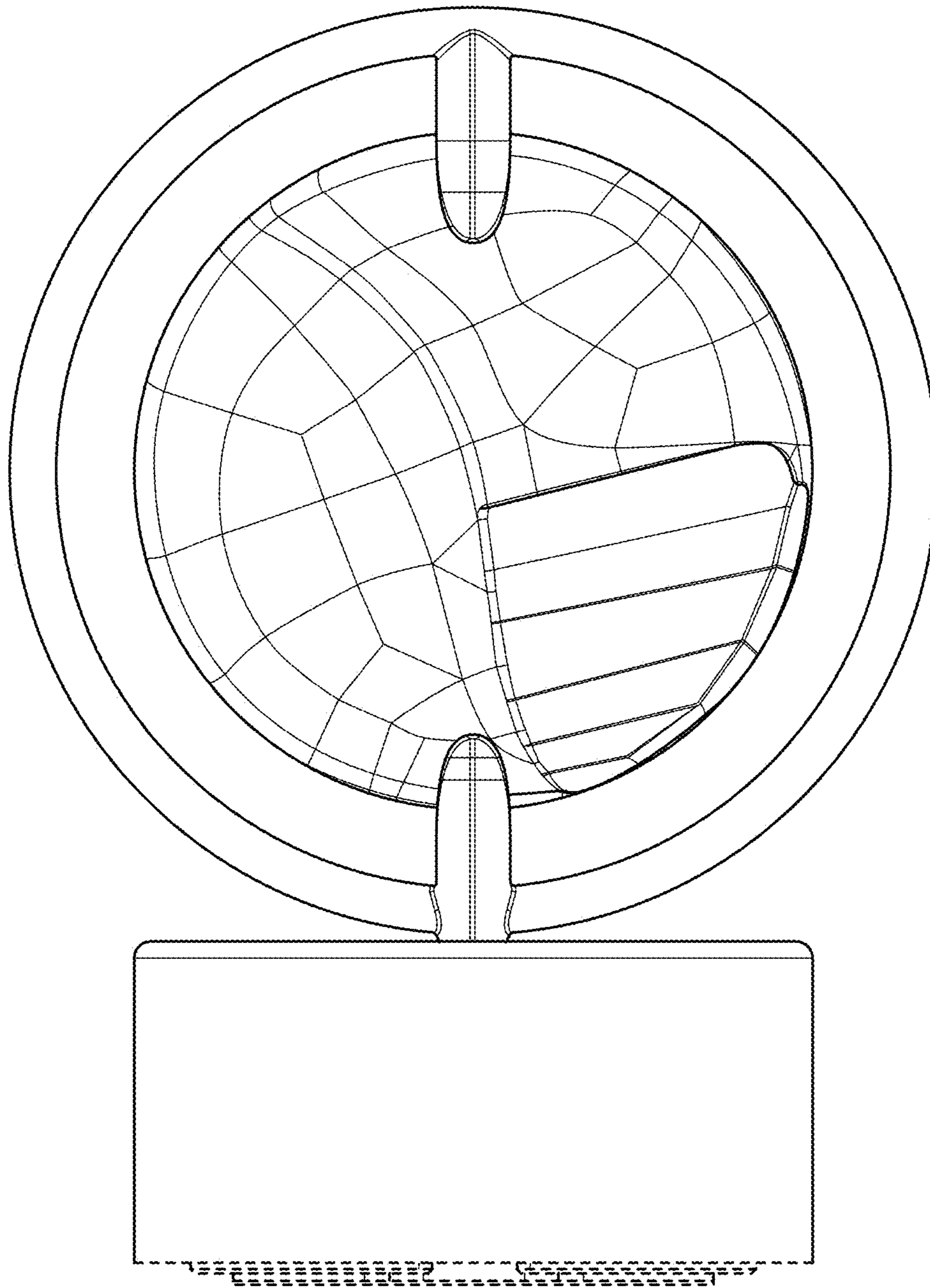


FIG. 3

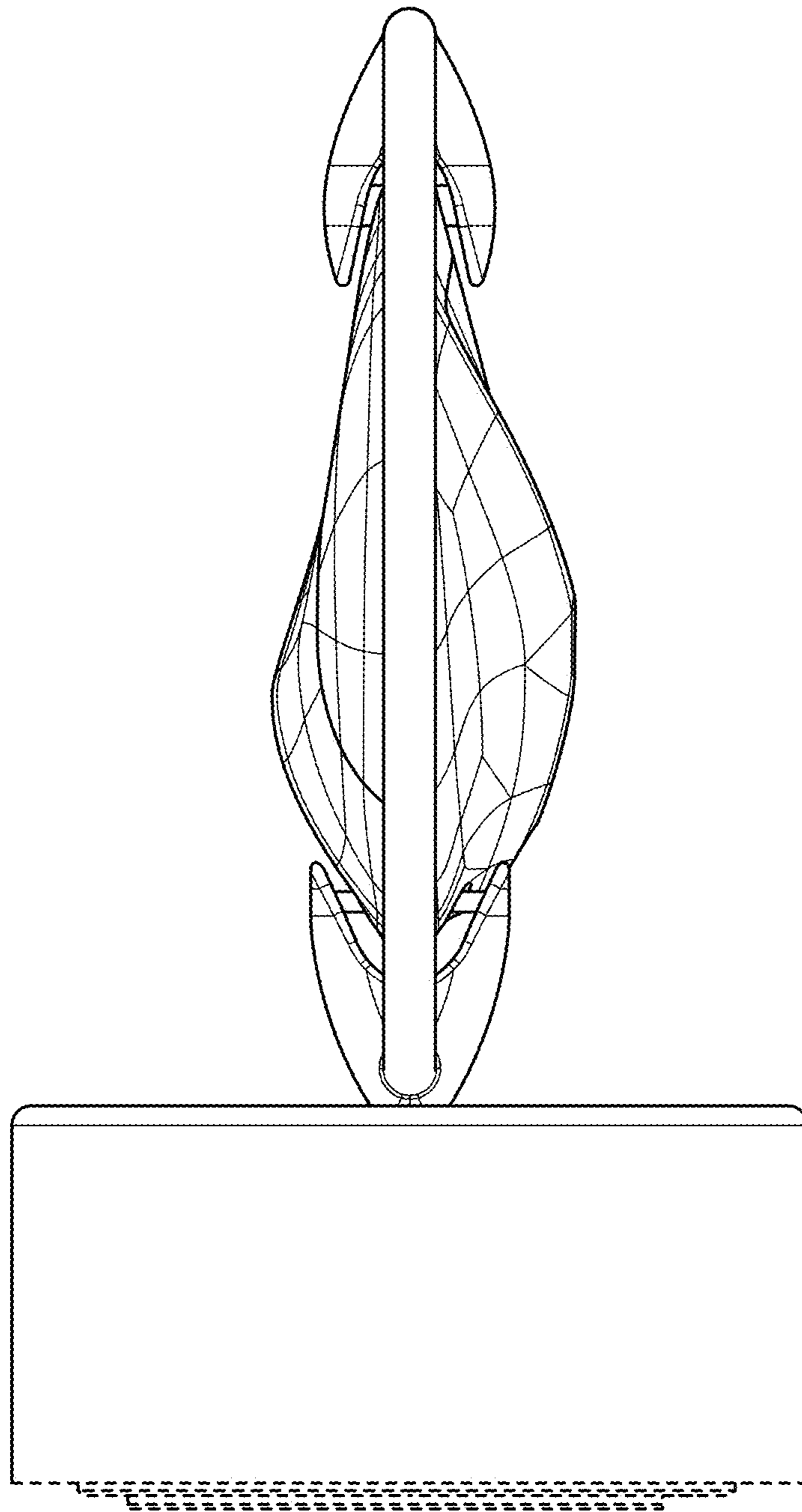


FIG. 4

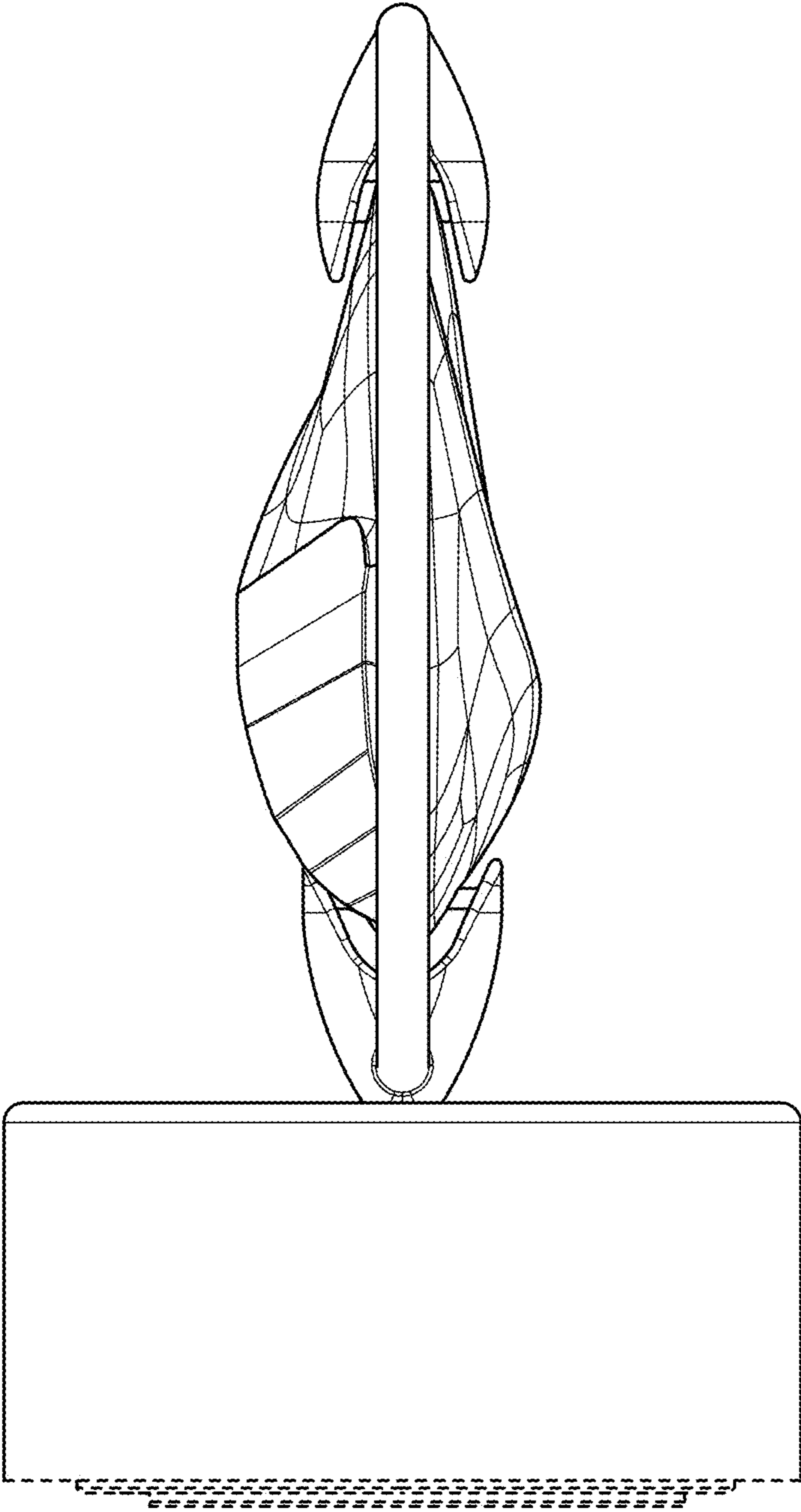


FIG. 5

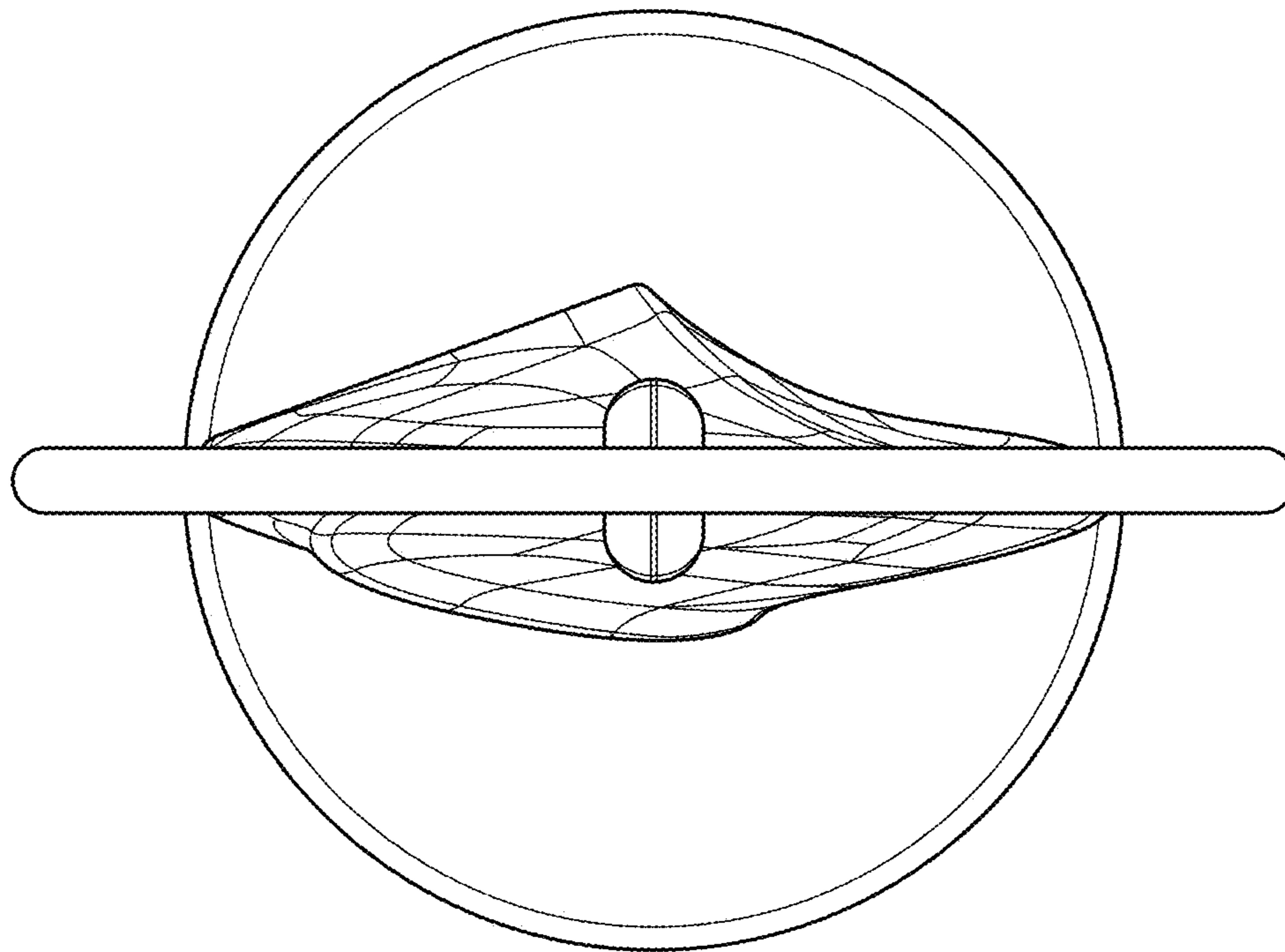


FIG. 6

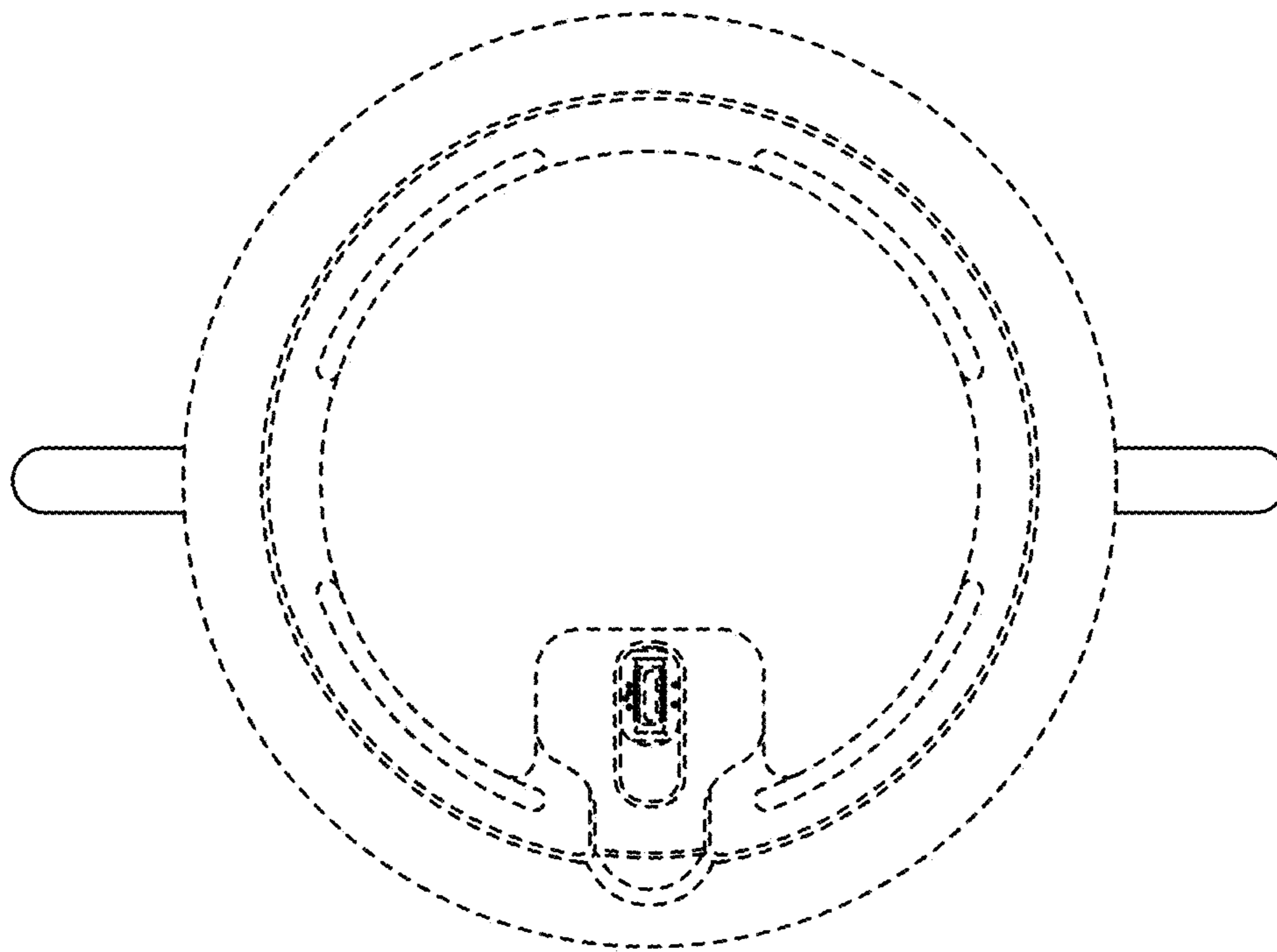


FIG. 7