



US00D939758S

(12) **United States Design Patent** (10) **Patent No.:** **US D939,758 S**
Li (45) **Date of Patent:** **** Dec. 28, 2021**

(54) **LAMP**

(71) Applicant: **Ling Li**, Jingmen (CN)

(72) Inventor: **Ling Li**, Jingmen (CN)

(**) Term: **15 Years**

(21) Appl. No.: **29/766,367**

(22) Filed: **Jan. 14, 2021**

(51) **LOC (13) Cl.** **26-03**

(52) **U.S. Cl.**
USPC **D26/88**

(58) **Field of Classification Search**
USPC D26/72, 80, 84, 85, 86, 87, 88, 119
CPC F21S 8/04; F21S 8/043; F21S 8/046; F21S
8/06; F21S 8/061; F21S 8/063; F21S
8/065; F21S 8/066; F21S 8/068
See application file for complete search history.

(56) **References Cited**

U.S. PATENT DOCUMENTS

1,568,929	A *	1/1926	Symmes	F21S 8/06 362/311.09
1,663,654	A *	3/1928	Guth	F21S 8/06 362/408
1,668,788	A *	5/1928	Duval	F21V 3/0625 362/307
D167,080	S *	6/1952	Huegel	D26/88
3,258,239	A *	6/1966	Green	F21V 17/02 248/342
D659,277	S	5/2012	Chen		
D877,393	S	3/2020	Yu et al.		
D894,467	S *	8/2020	Xu	D26/88
D895,192	S *	9/2020	Gong	D26/88
D895,193	S *	9/2020	Gong	D26/88
D895,882	S *	9/2020	Li	D26/86

(Continued)

OTHER PUBLICATIONS

Eumyviv 1-Light Farmhouse Pendant Light ASIN: B08BXNNNWF, available from amazon.com Jun. 27, 2020. (Year: 2020).*

(Continued)

Primary Examiner — Clare E Heflin

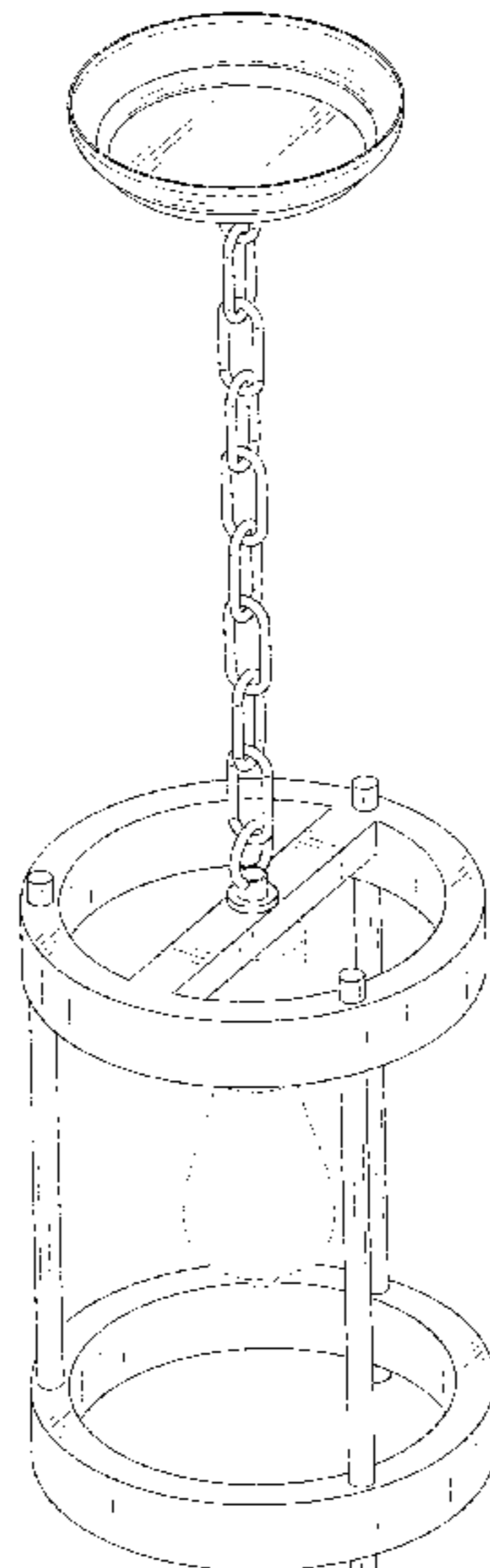
(57) **CLAIM**

The ornamental design for a lamp, as shown and described.

DESCRIPTION

FIG. 1 is a perspective view of a first embodiment of a lamp showing my new design;
 FIG. 2 is another perspective view thereof;
 FIG. 3 is a front elevational view thereof;
 FIG. 4 is a rear elevational view thereof;
 FIG. 5 is a left side elevational view thereof;
 FIG. 6 is a right side elevational view thereof;
 FIG. 7 is a top plan view thereof;
 FIG. 8 is a bottom plan view thereof;
 FIG. 9 is a perspective view of a second embodiment of the lamp showing my new design;
 FIG. 10 is another perspective view thereof;
 FIG. 11 is a front elevational view thereof;
 FIG. 12 is a rear elevational view thereof;
 FIG. 13 is a left side elevational view thereof;
 FIG. 14 is a right side elevational view thereof;
 FIG. 15 is a top plan view thereof;
 FIG. 16 is a bottom plan view thereof;
 FIG. 17 is a perspective view of a third embodiment of the lamp showing my new design;
 FIG. 18 is another perspective view thereof;
 FIG. 19 is a front elevational view thereof;
 FIG. 20 is a rear elevational view thereof;
 FIG. 21 is a left side elevational view thereof;
 FIG. 22 is a right side elevational view thereof;
 FIG. 23 is a top plan view thereof; and,
 FIG. 24 is a bottom plan view thereof.
 The broken lines in the drawings depict portions of the lamp that form no part of the claimed design.

1 Claim, 24 Drawing Sheets



(56)

References Cited

U.S. PATENT DOCUMENTS

D933,875 S * 10/2021 Xu D26/88
2006/0291219 A1 * 12/2006 Chen F21V 21/16
362/382
2011/0242813 A1 * 10/2011 Markle F21S 8/063
362/294

OTHER PUBLICATIONS

SGLfarmty Farmhouse Wood Pendant Light Fixture, ASIN:
B09BZSRZ6G available from amazon.com Aug. 5, 2021. (Year:
2021).*

Z-Lite 472MPR-RM 1 Light Mini Pendant ASIN: B07N33MZY5
available from amazon.com Jan. 24, 2019. (Year: 2019).*

HANASS Farmhouse Glass Pendant Light Fixture, ASIN:
B08SCLFJGL available from amazon.com Jan. 7, 2021. (Year:
2021).*

* cited by examiner

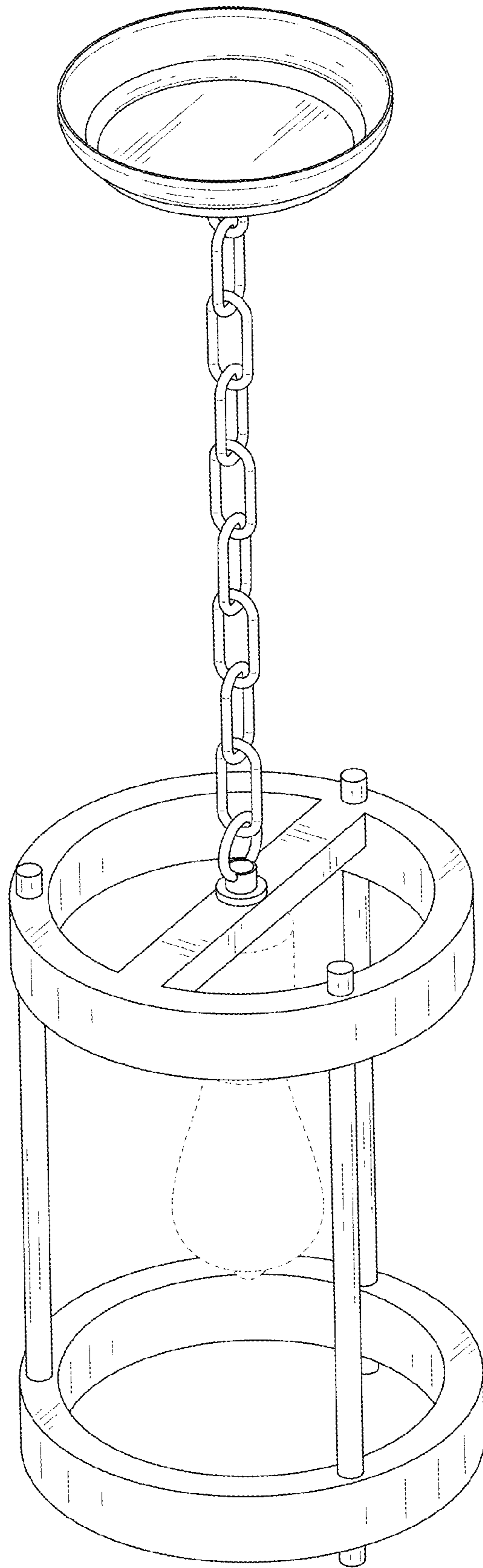


FIG. 1

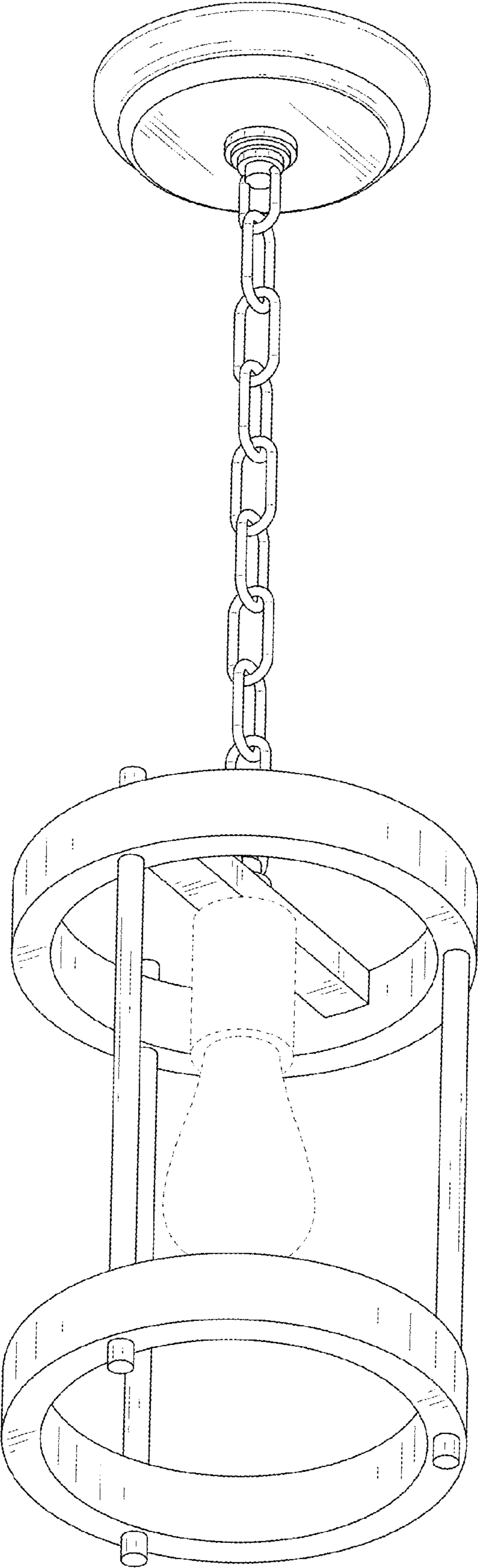


FIG. 2

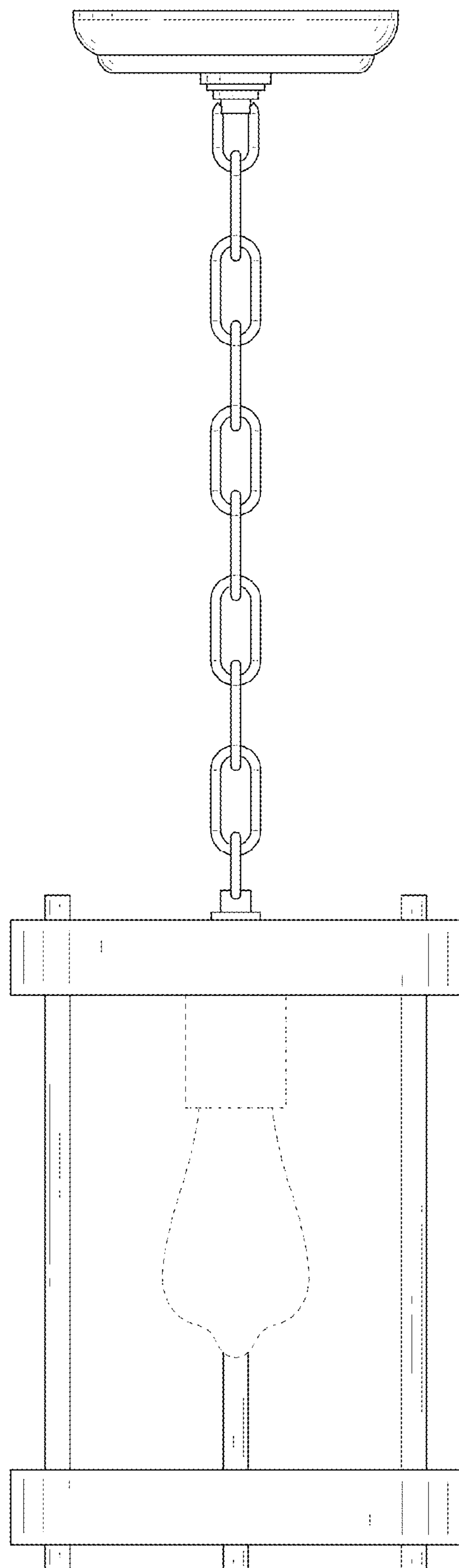


FIG. 3

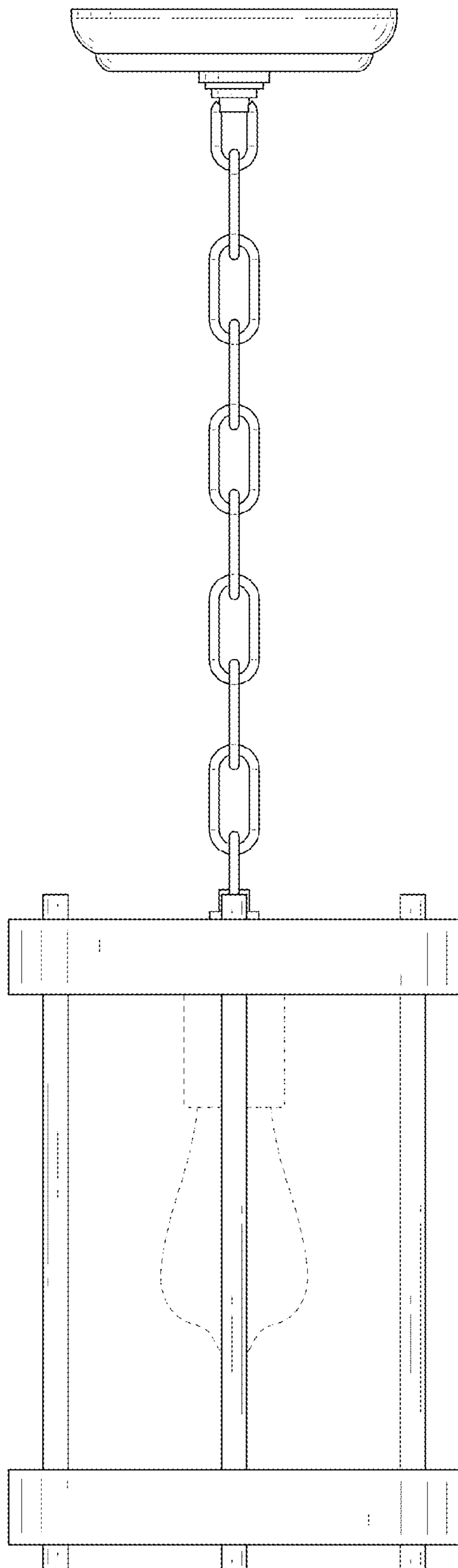


FIG. 4

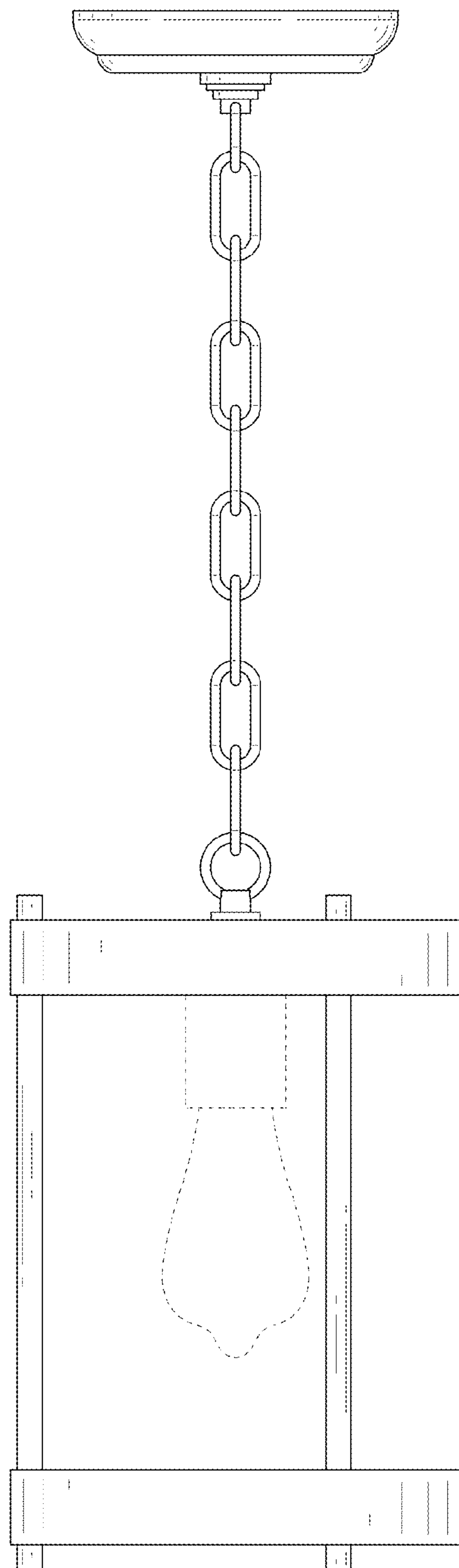


FIG. 5

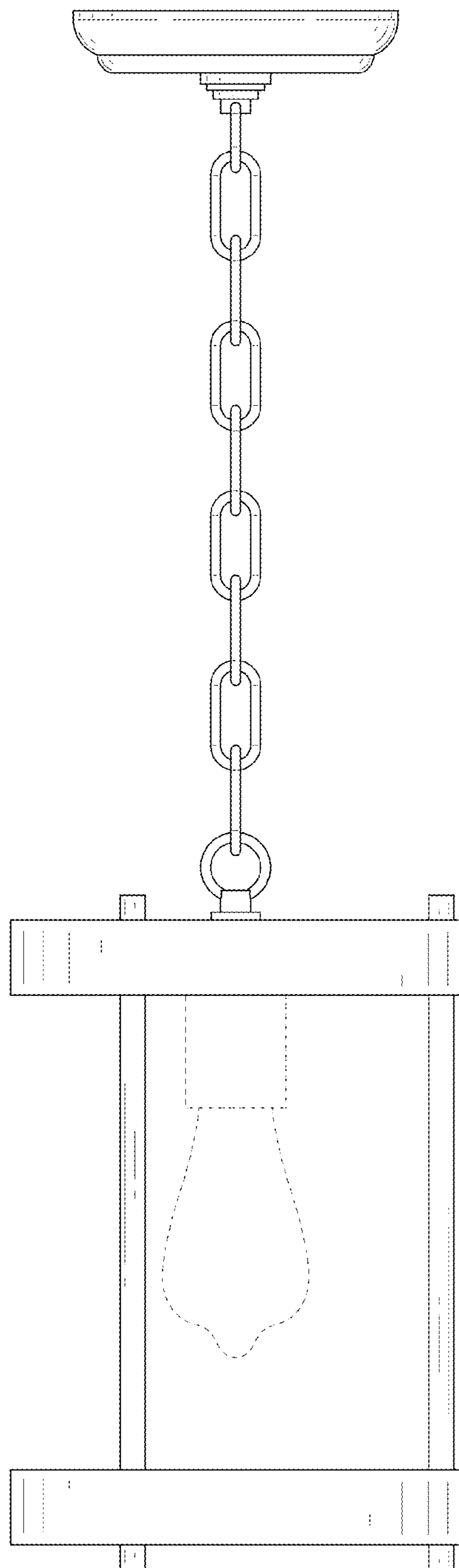


FIG. 6

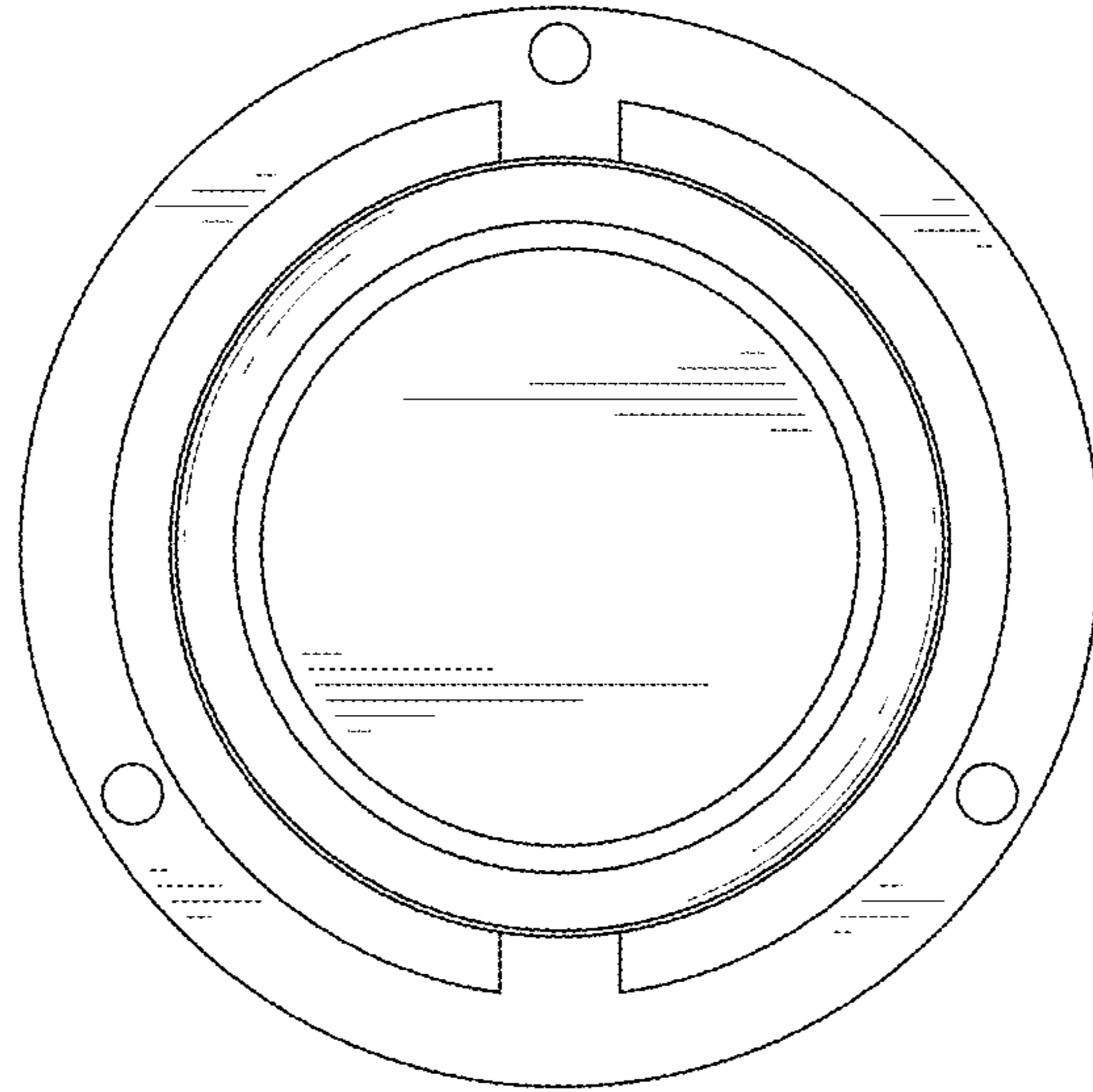


FIG. 7

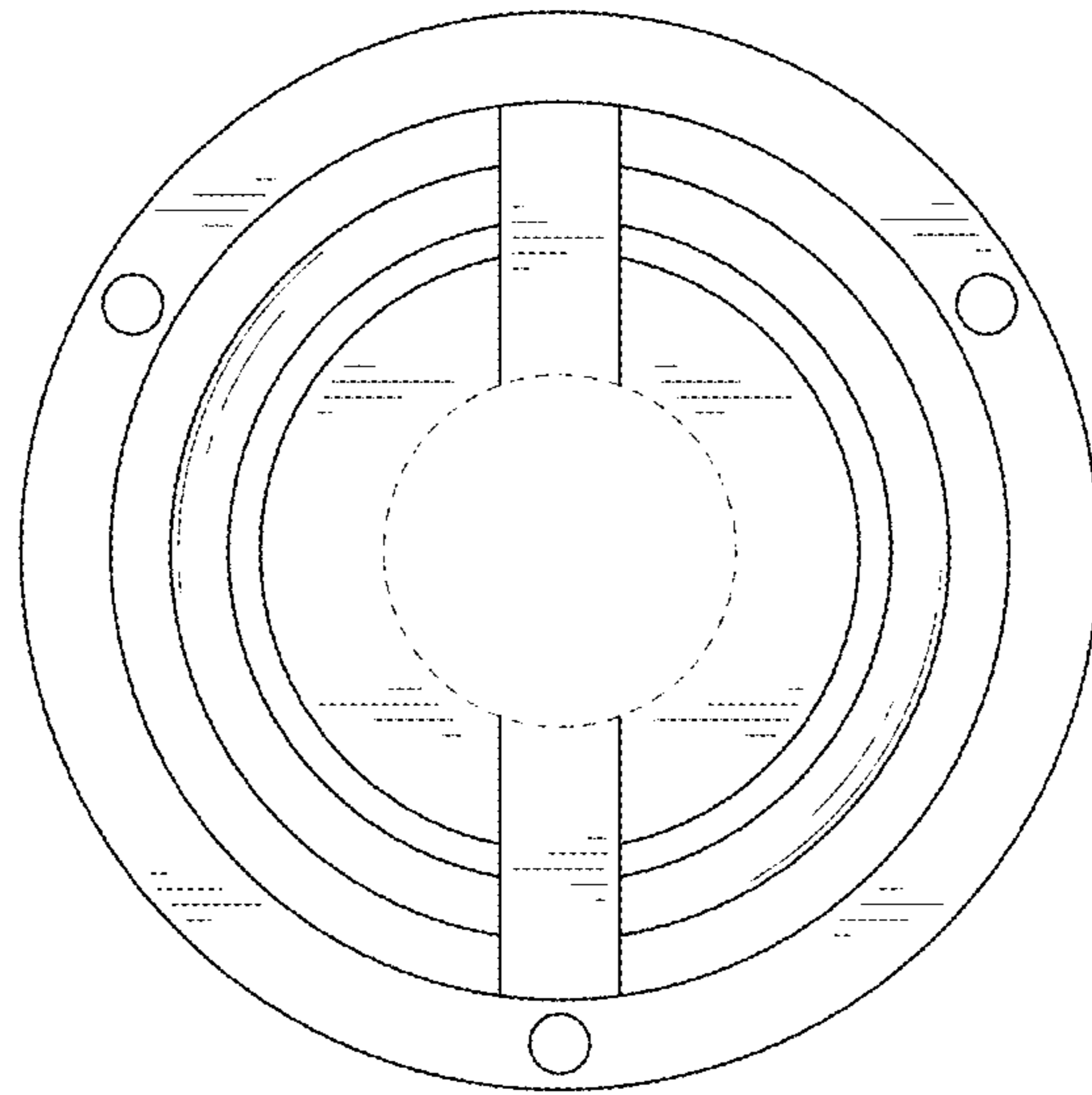


FIG. 8

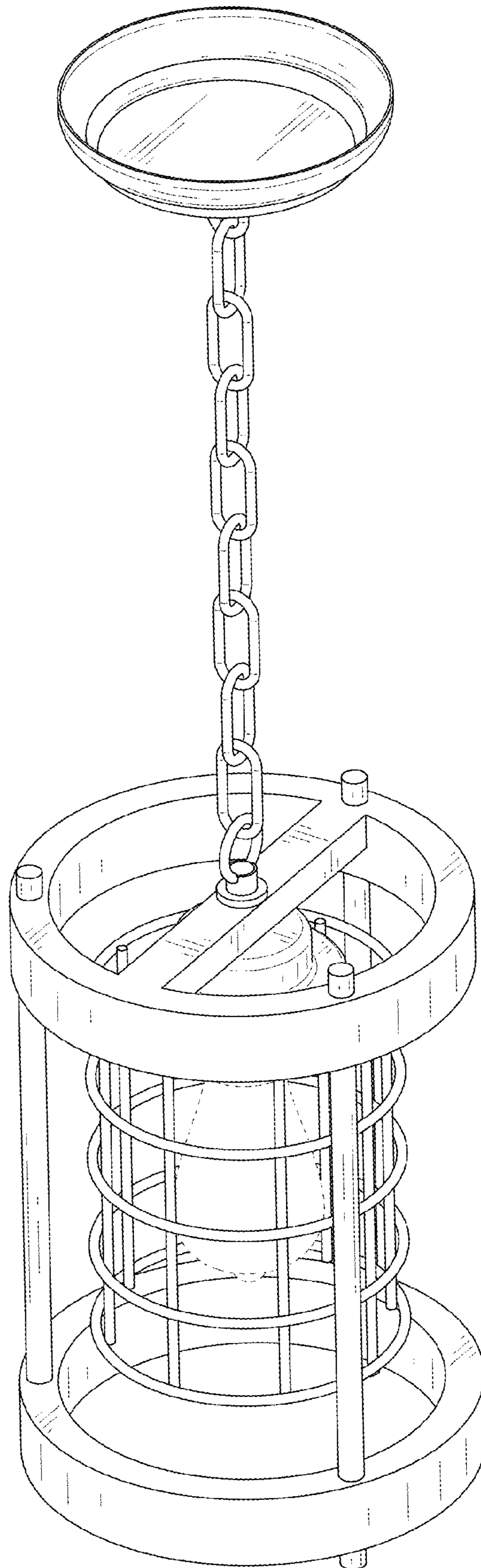


FIG. 9

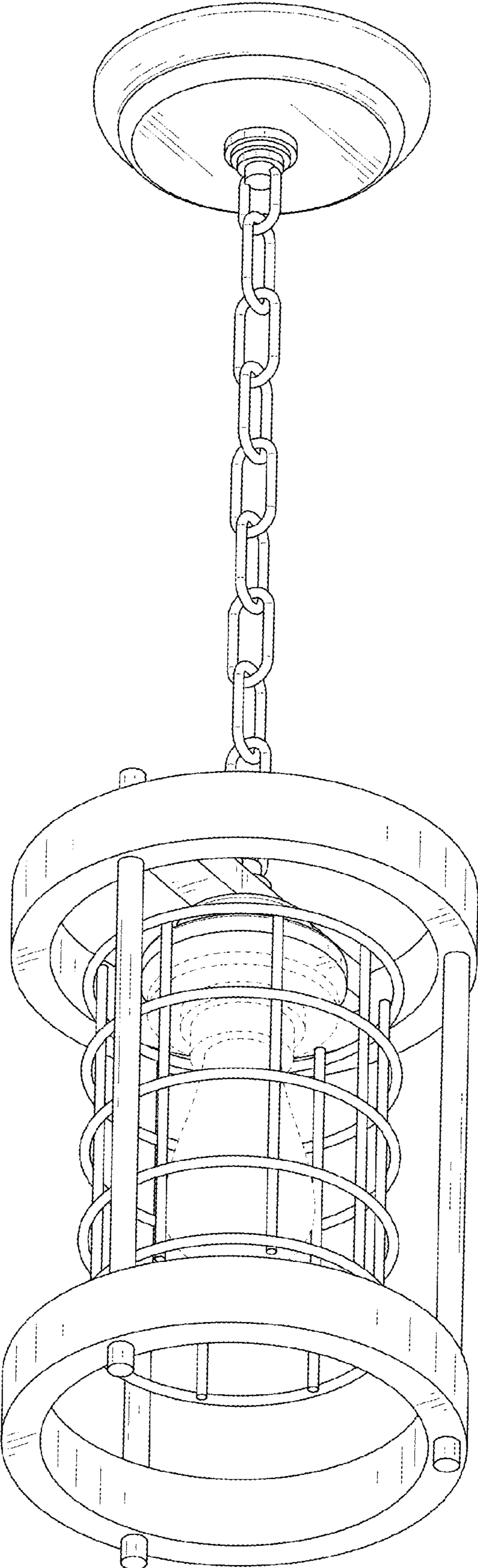


FIG. 10

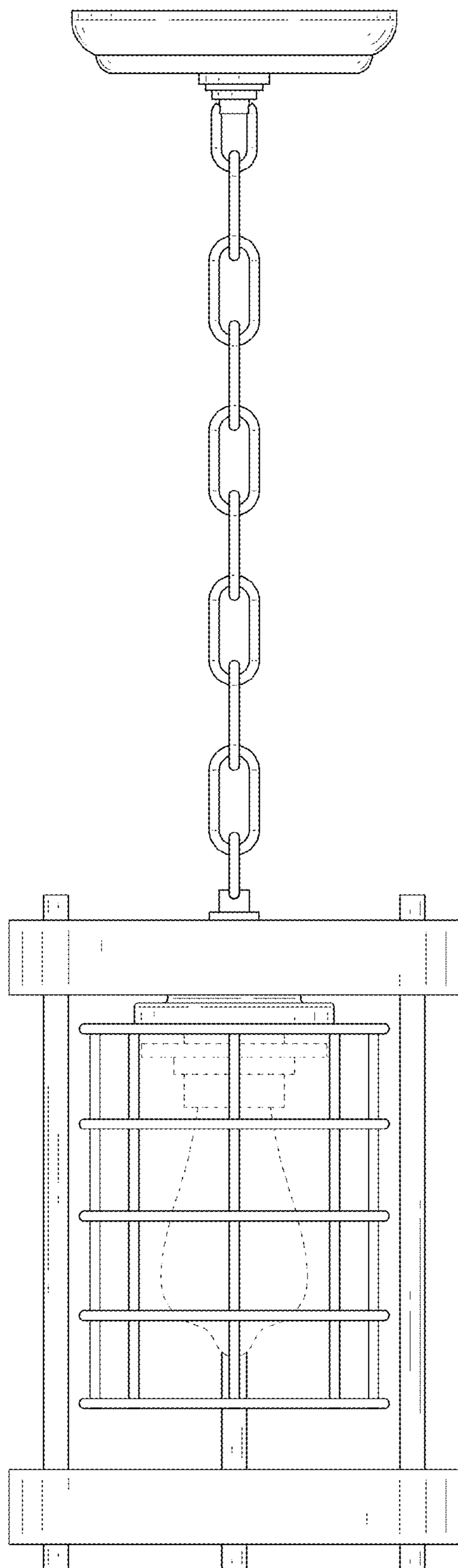


FIG. 11

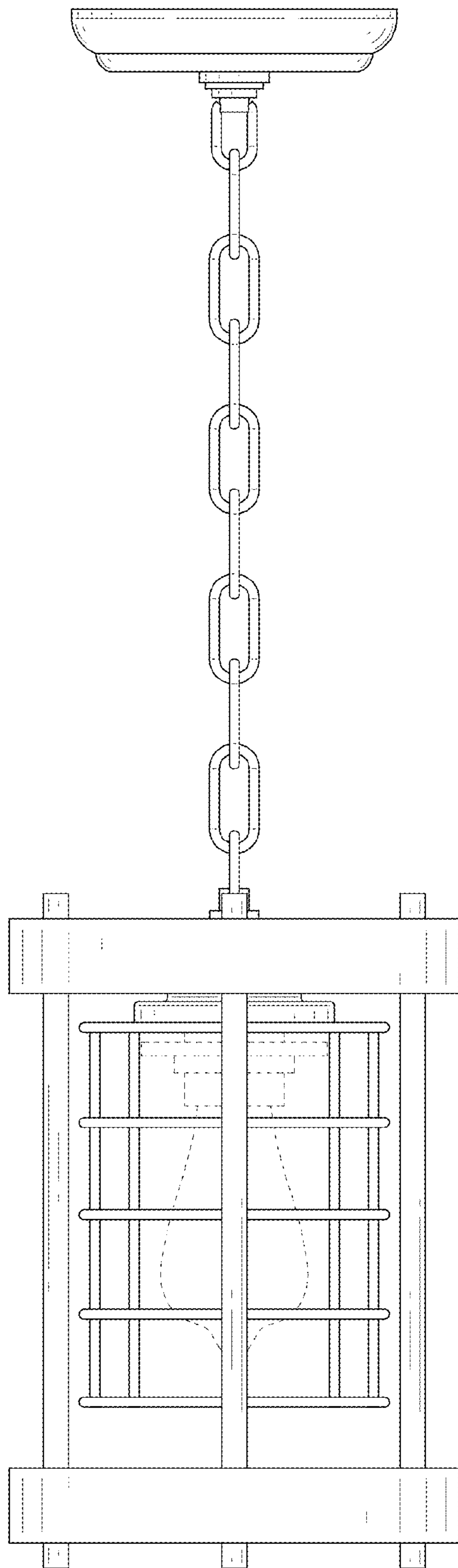


FIG. 12

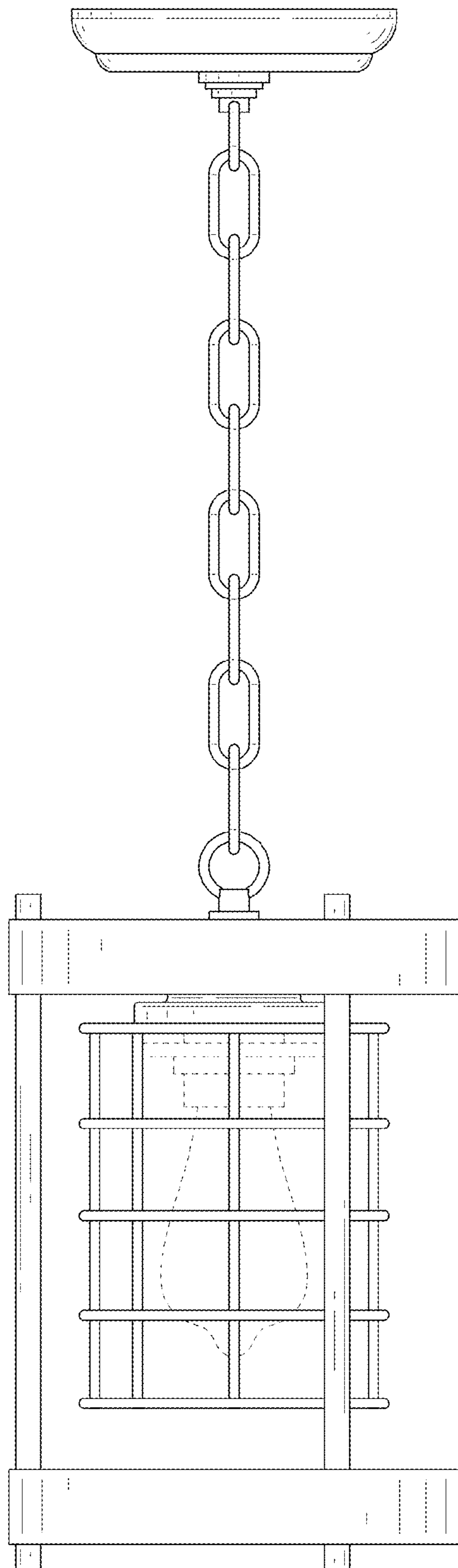


FIG. 13

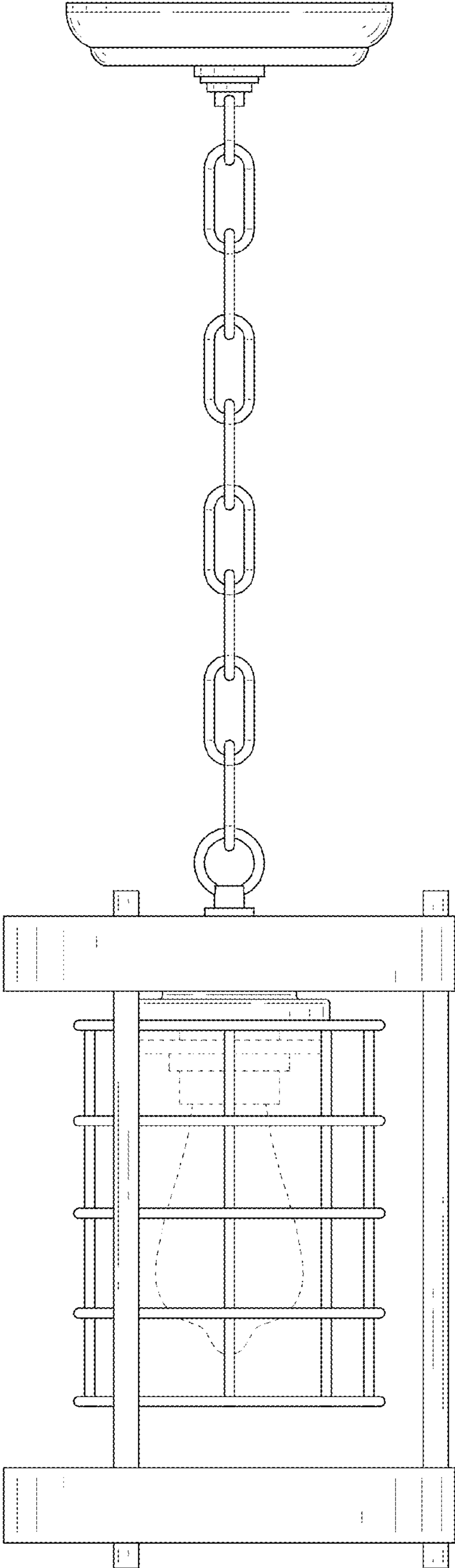


FIG. 14

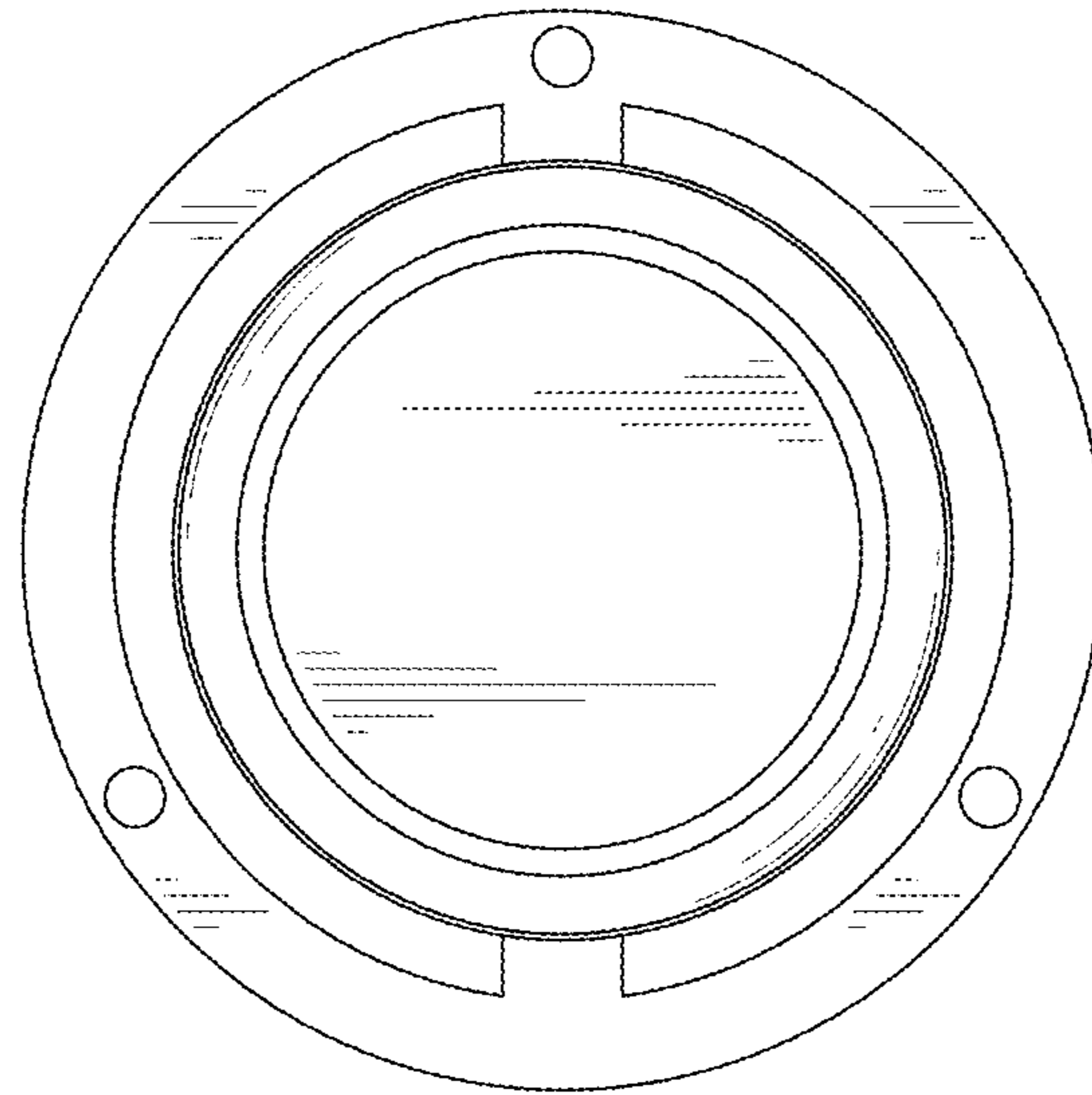


FIG. 15

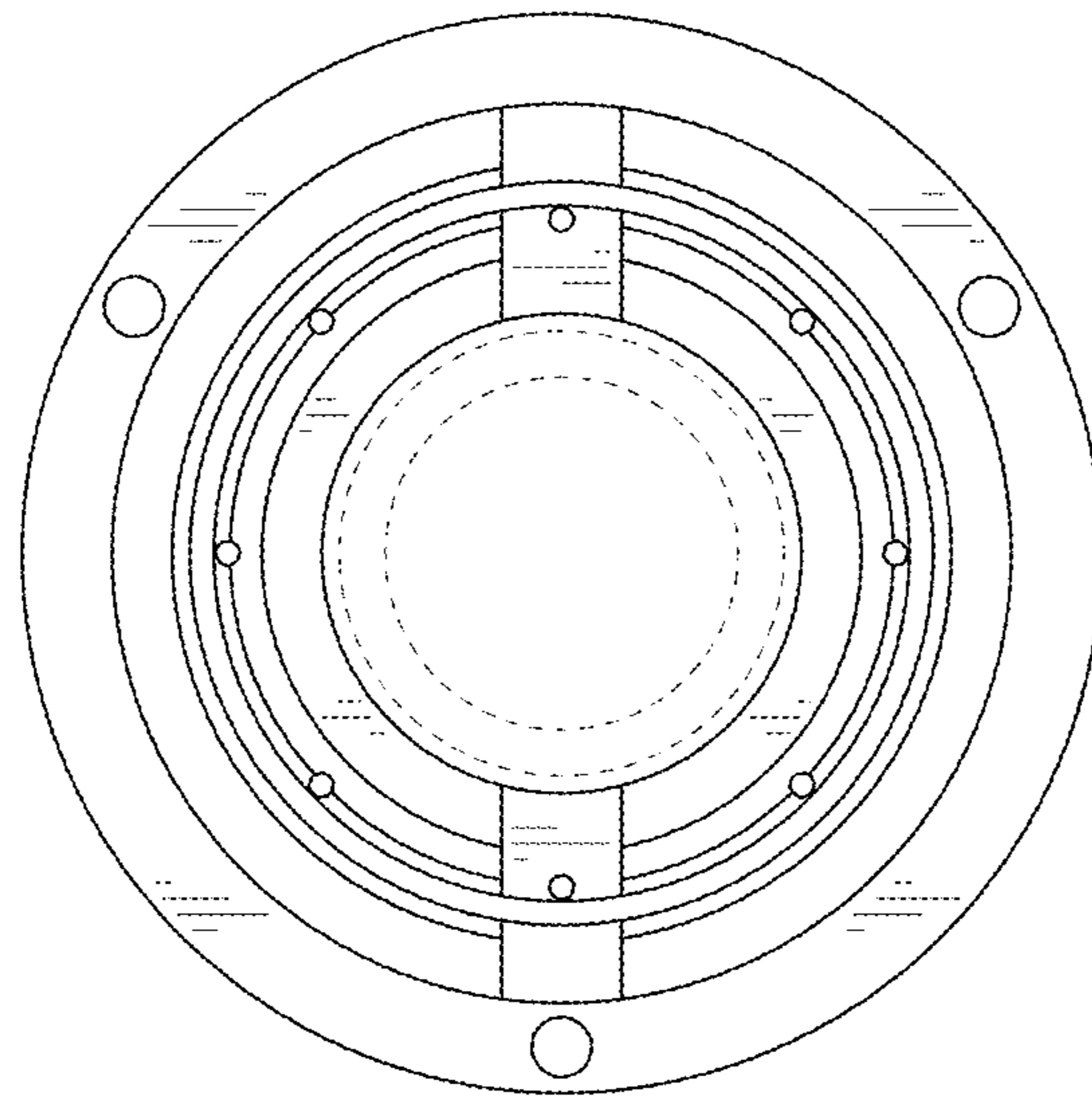


FIG. 16

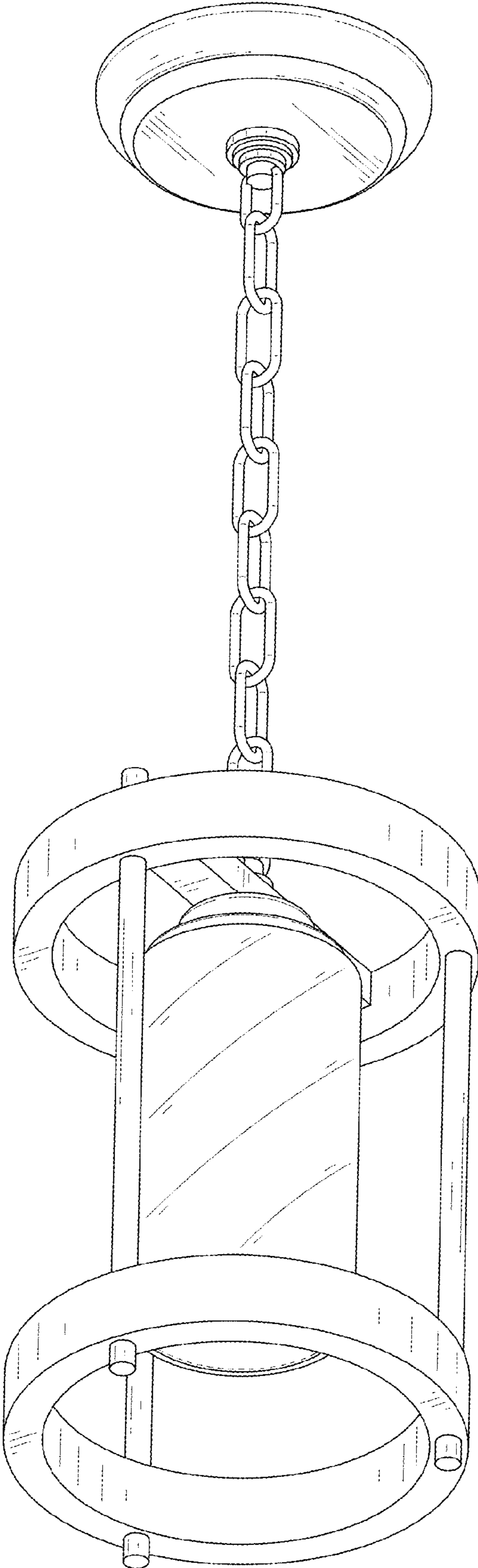


FIG. 17

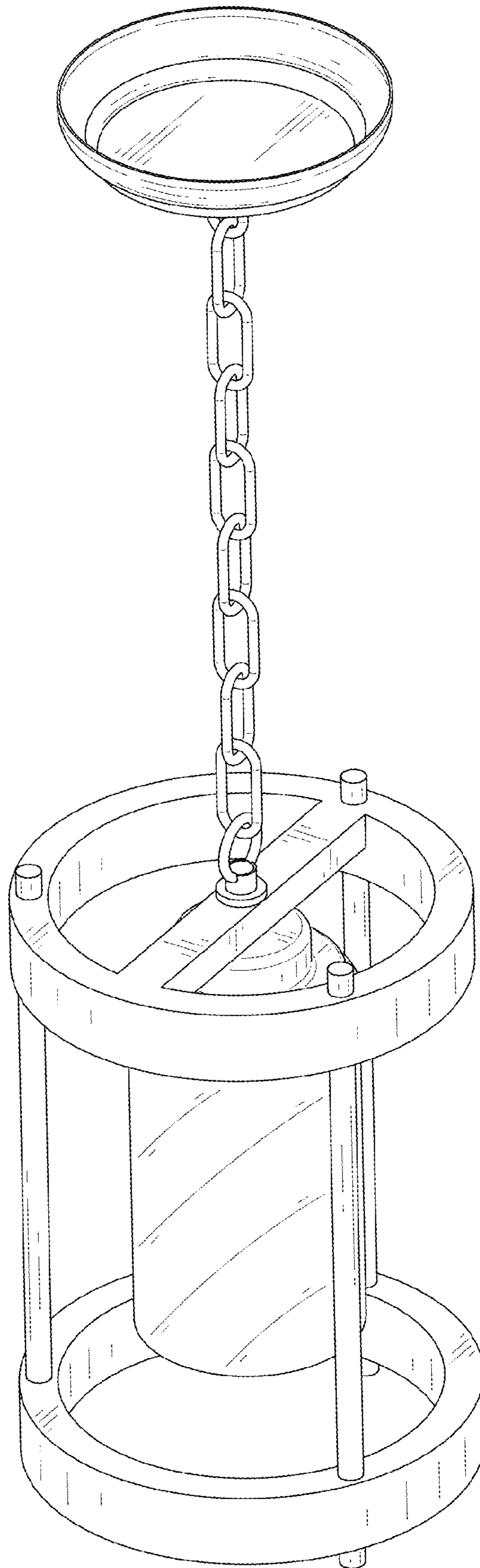


FIG. 18

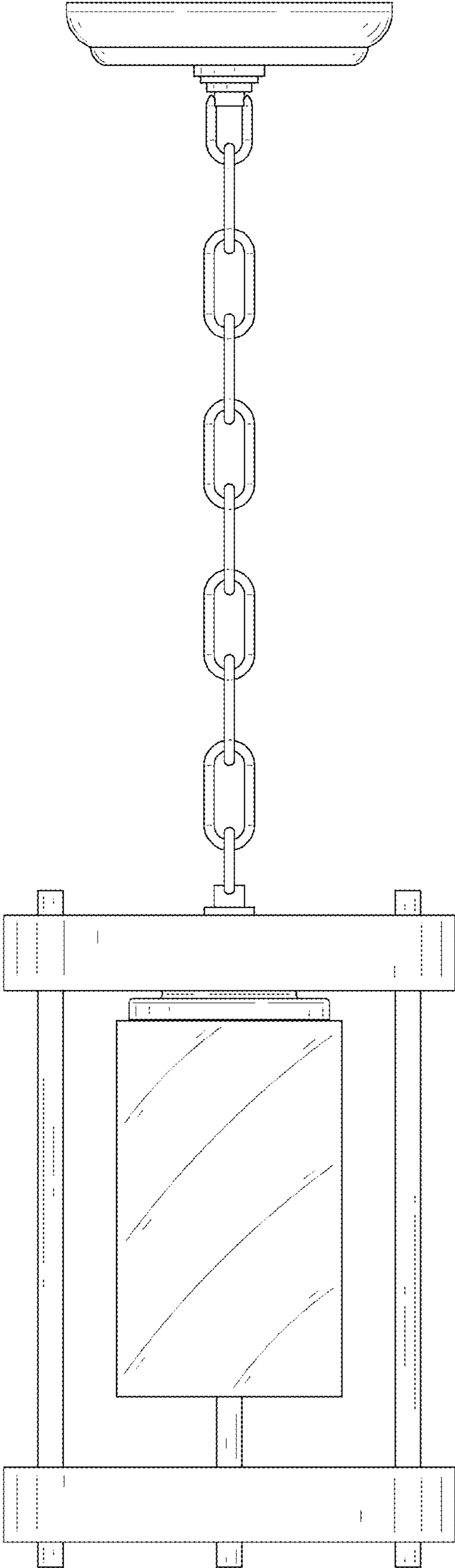


FIG. 19

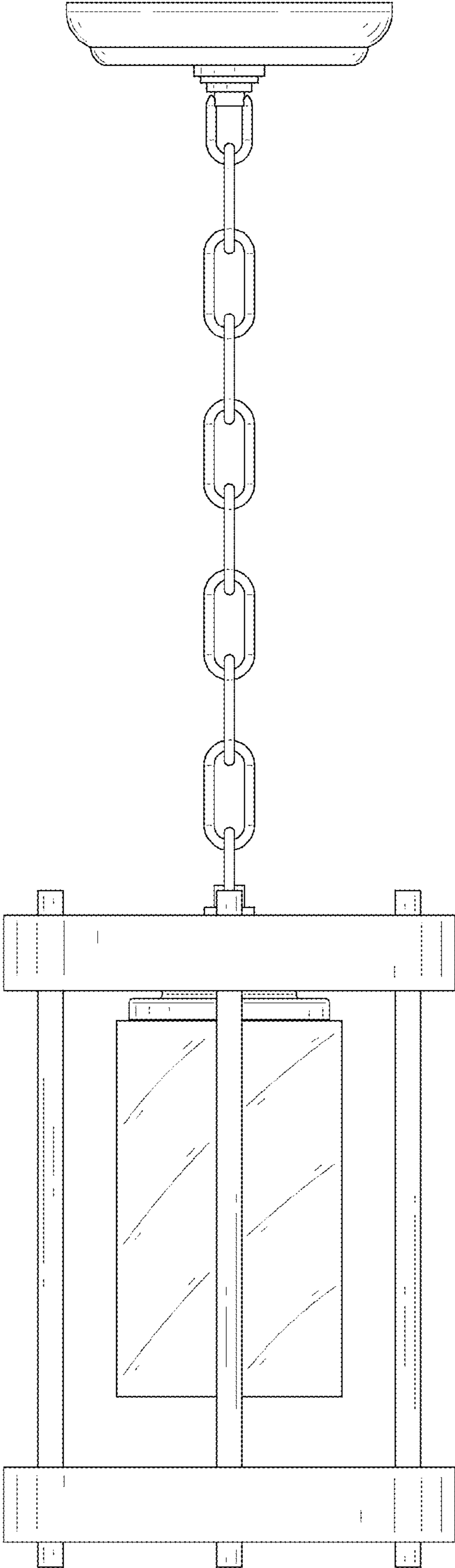


FIG. 20

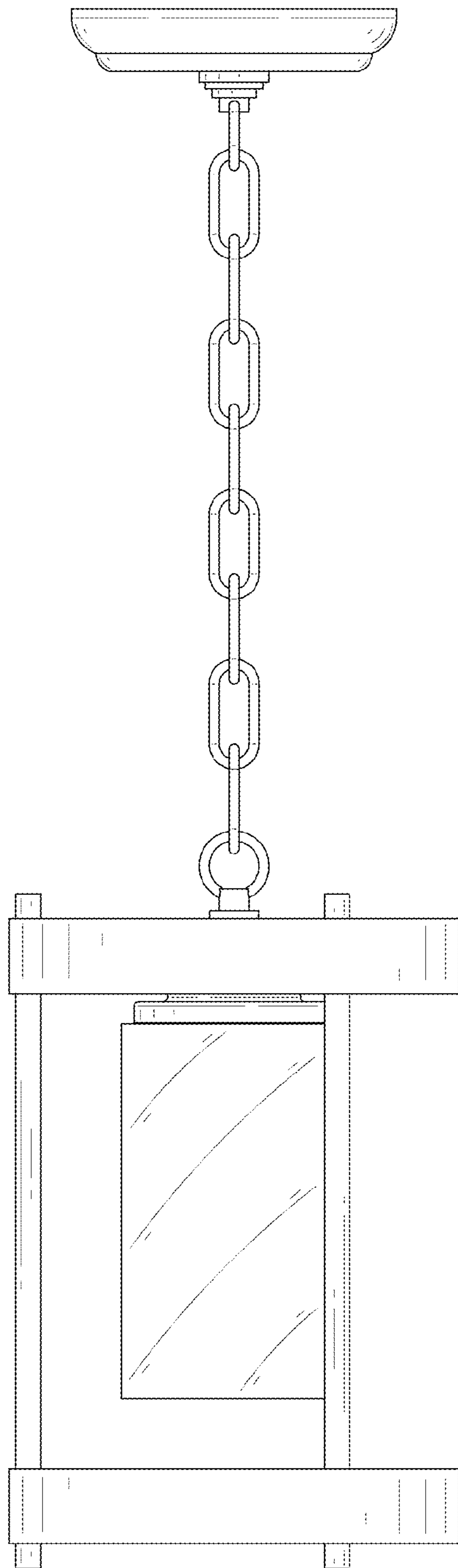


FIG. 21

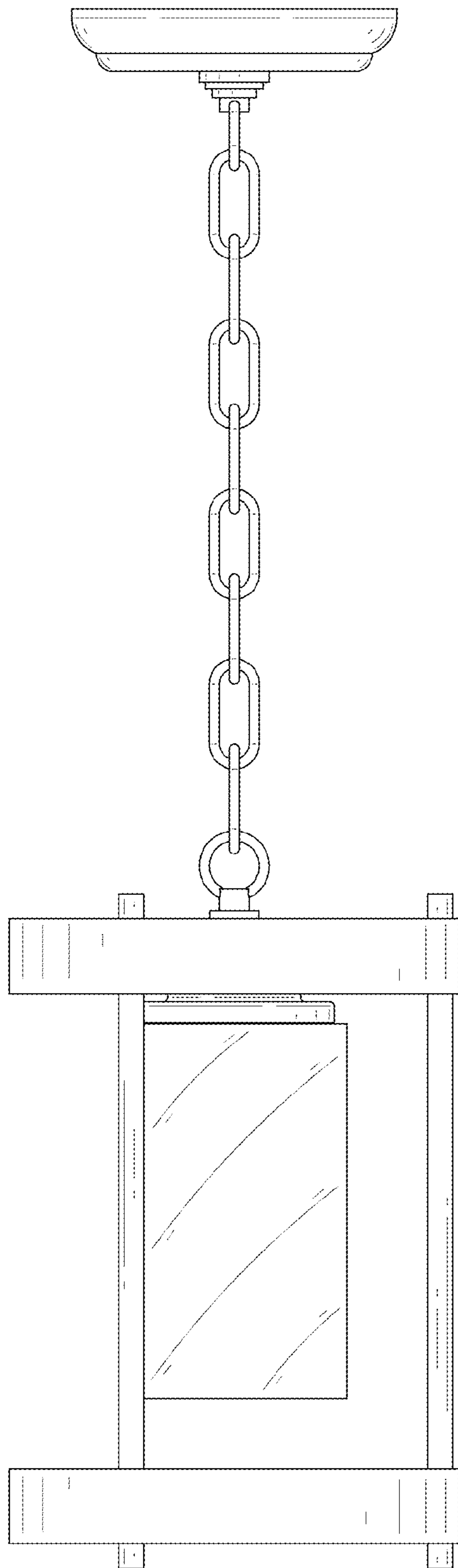


FIG. 22

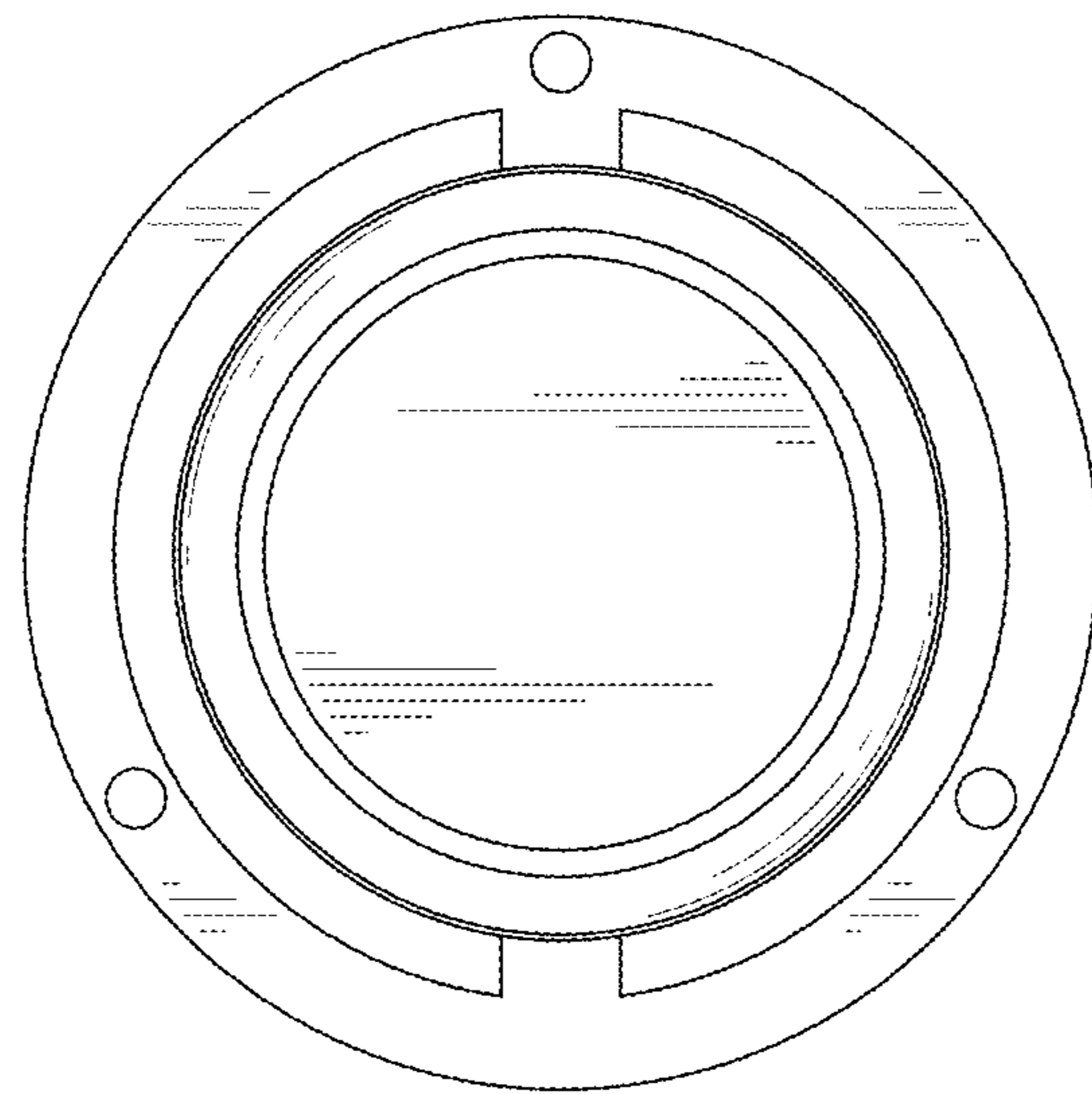


FIG. 23

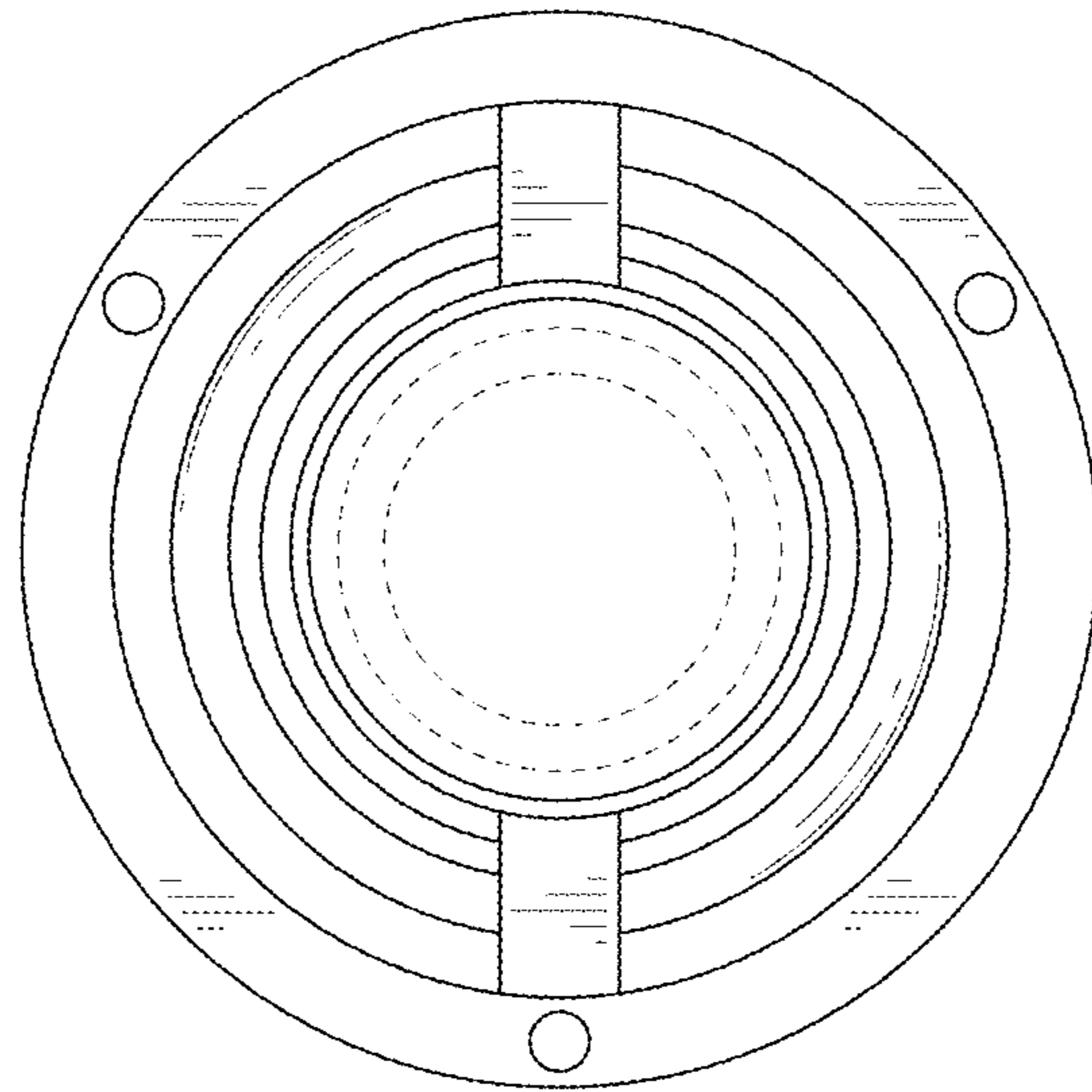


FIG. 24