



US00D939757S

(12) **United States Design Patent**
Browning

(10) **Patent No.:** **US D939,757 S**

(45) **Date of Patent:** **** Dec. 28, 2021**

(54) **SCONCE**

(71) Applicant: **RH US, LLC**, Corte Madera, CA (US)

(72) Inventor: **John Richard Browning**, San Francisco, CA (US)

(73) Assignee: **RH US, LLC**, Corte Madera, CA (US)

(**) Term: **15 Years**

(21) Appl. No.: **29/750,641**

(22) Filed: **Sep. 15, 2020**

(51) **LOC (13) Cl.** **26-03**

(52) **U.S. Cl.**
USPC **D26/87; D26/119**

(58) **Field of Classification Search**

USPC D26/72, 80, 84-88, 92, 119
CPC .. F21S 8/033; F21S 8/035; F21S 8/036; F21S
8/046

See application file for complete search history.

(56) **References Cited**

U.S. PATENT DOCUMENTS

D81,532 S *	7/1930	Gosling	D26/88
3,258,239 A *	6/1966	Green	F21V 17/02 248/342
D207,178 S *	3/1967	Atkin et al.	D26/87
D443,379 S *	6/2001	Xu	D26/87
D447,591 S *	9/2001	Hsu	D26/84
D488,580 S *	4/2004	Hsu	D26/92
D541,973 S *	5/2007	Dolan	D26/87
D667,161 S *	9/2012	Chen	D26/87
D673,319 S *	12/2012	Guercio	D26/87
D697,660 S *	1/2014	Sabernig	D26/87
D754,908 S *	4/2016	Orozco	D26/87
D821,017 S *	6/2018	Brannon	D26/87
2006/0291219 A1 *	12/2006	Chen	F21V 21/16 362/382

OTHER PUBLICATIONS

Adelaide Industrial Indoor Wall Mounted Lamp, ASIN: B07NPWGNBG available from amazon.com Feb. 26, 2019. (Year: 2019).*

Tolson Cage Wall Sconce Item #A1824 available from rejuvenation.com, visited Oct. 28, 2021. (Year: 2021).*

Feiss Urban Renewal 12¼"H Dark Antique Brass Sconce Style # 3M609, available from lampsplus.com as early as May 11, 2015. (Year: 2015).*

* cited by examiner

Primary Examiner — Clare E Heflin

(74) *Attorney, Agent, or Firm* — Lewis Roca Rothgerber Christie LLP

(57) **CLAIM**

The ornamental design for a sconce, as shown and described.

DESCRIPTION

FIG. 1 is a perspective view of a first embodiment of a sconce showing my new design;

FIG. 2 is a front elevation view thereof;

FIG. 3 is a right side elevation view thereof, the left side being a mirror image;

FIG. 4 is a rear elevation view thereof;

FIG. 5 is a top plan view thereof;

FIG. 6 is a bottom plan view thereof;

FIG. 7 is a perspective view of a second embodiment of a sconce showing my new design;

FIG. 8 is a front elevation view thereof;

FIG. 9 is a right side elevation view thereof, the left side being a mirror image;

FIG. 10 is a rear elevation view thereof;

FIG. 11 is a top plan view thereof; and,

FIG. 12 is a bottom plan view thereof.

The broken lines show environmental subject matter and form no part of the claimed design. The second embodiment is shown with symbolic breaks in height in FIGS. 7-10, and those portions of the article between the break lines form no part of the claimed design.

1 Claim, 6 Drawing Sheets

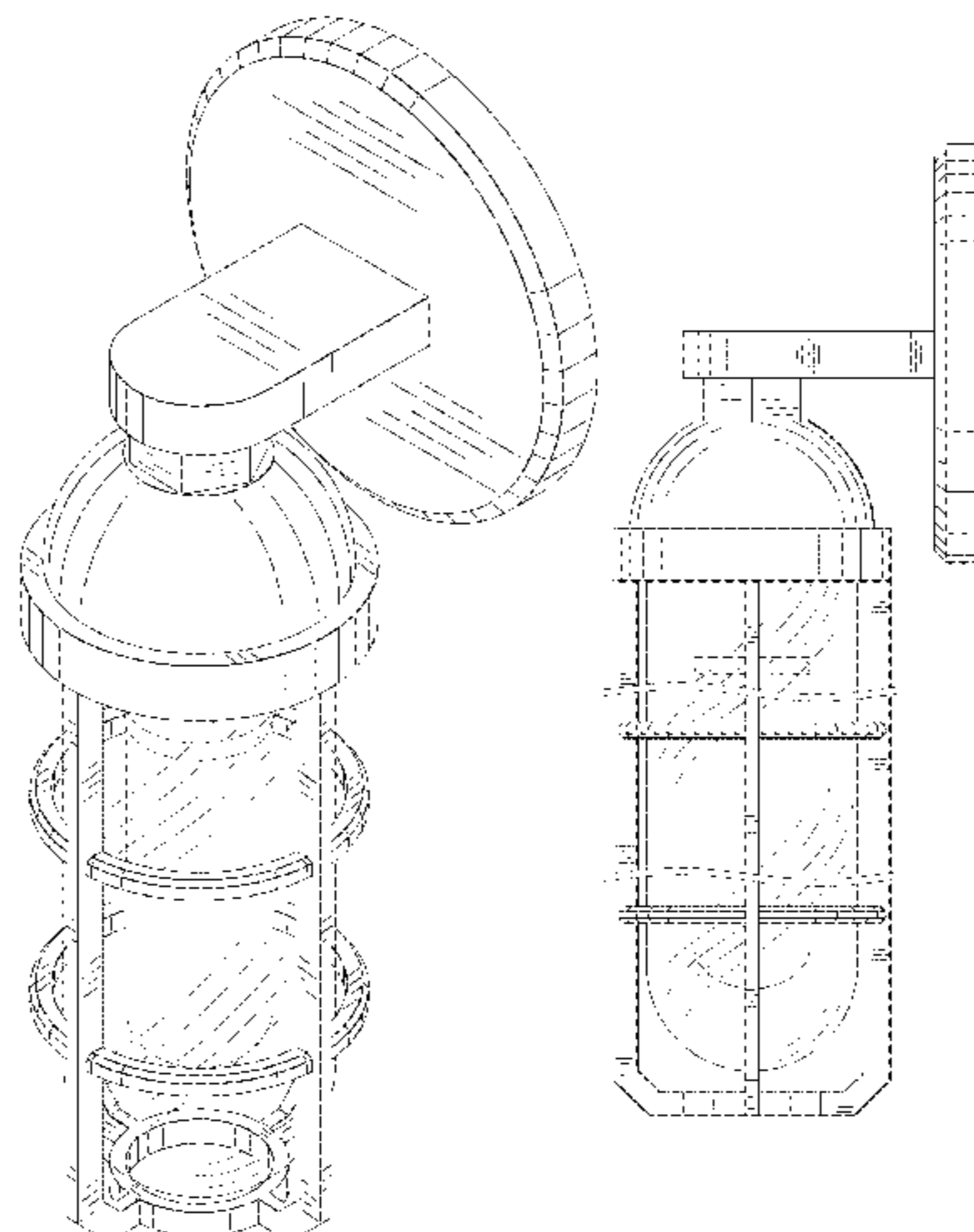


FIG. 1

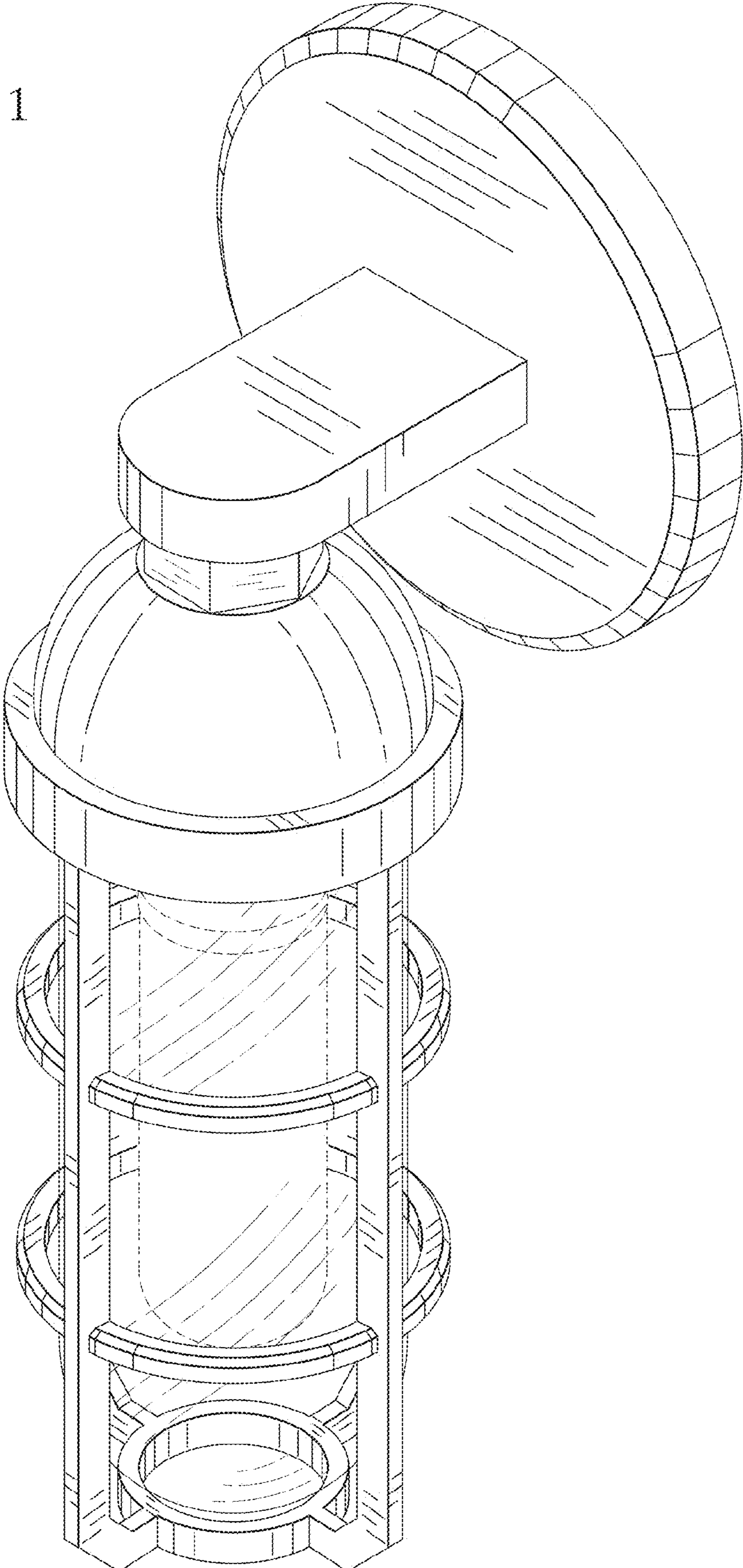


FIG. 2

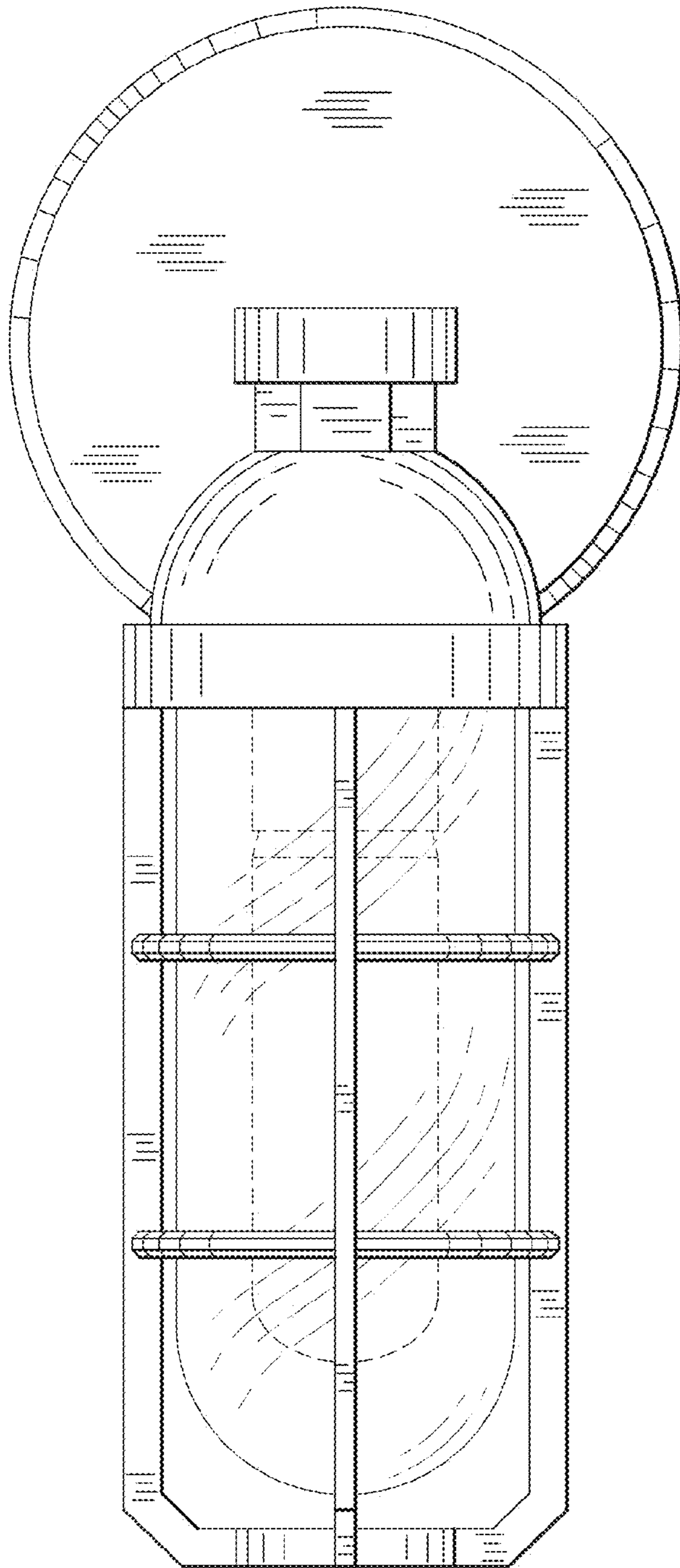


FIG. 3

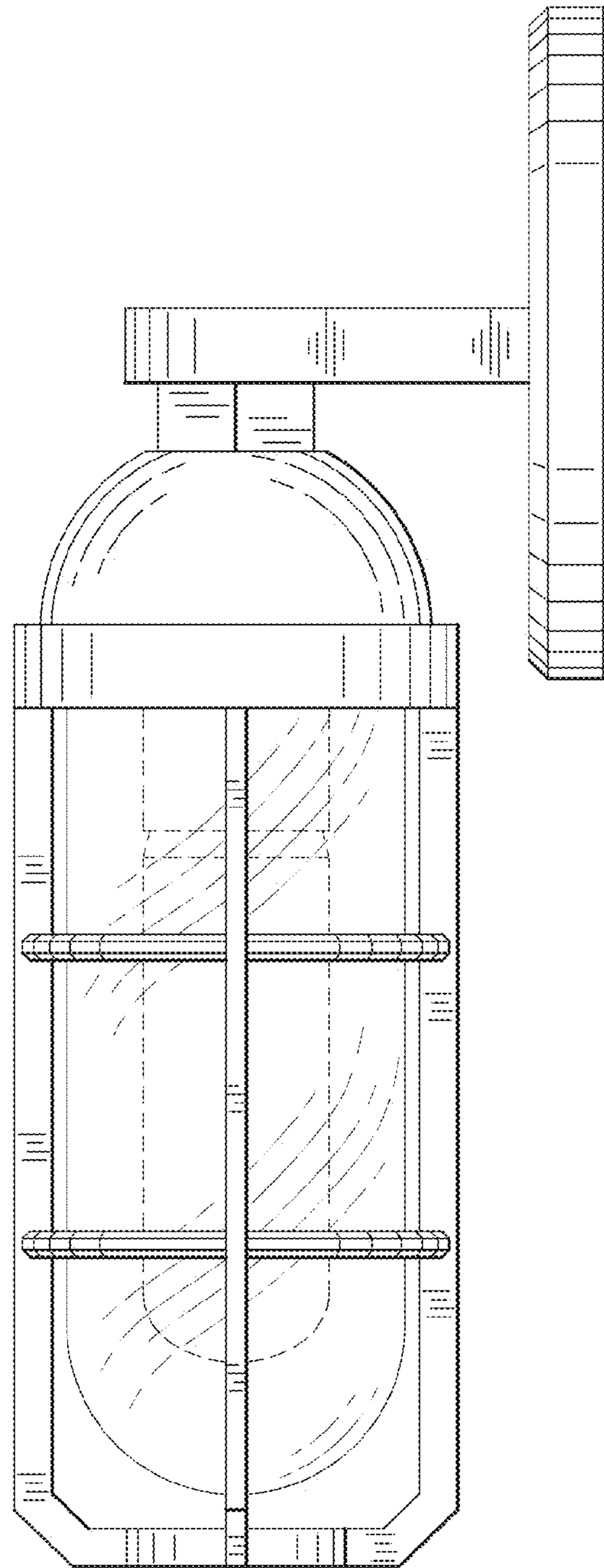


FIG. 4

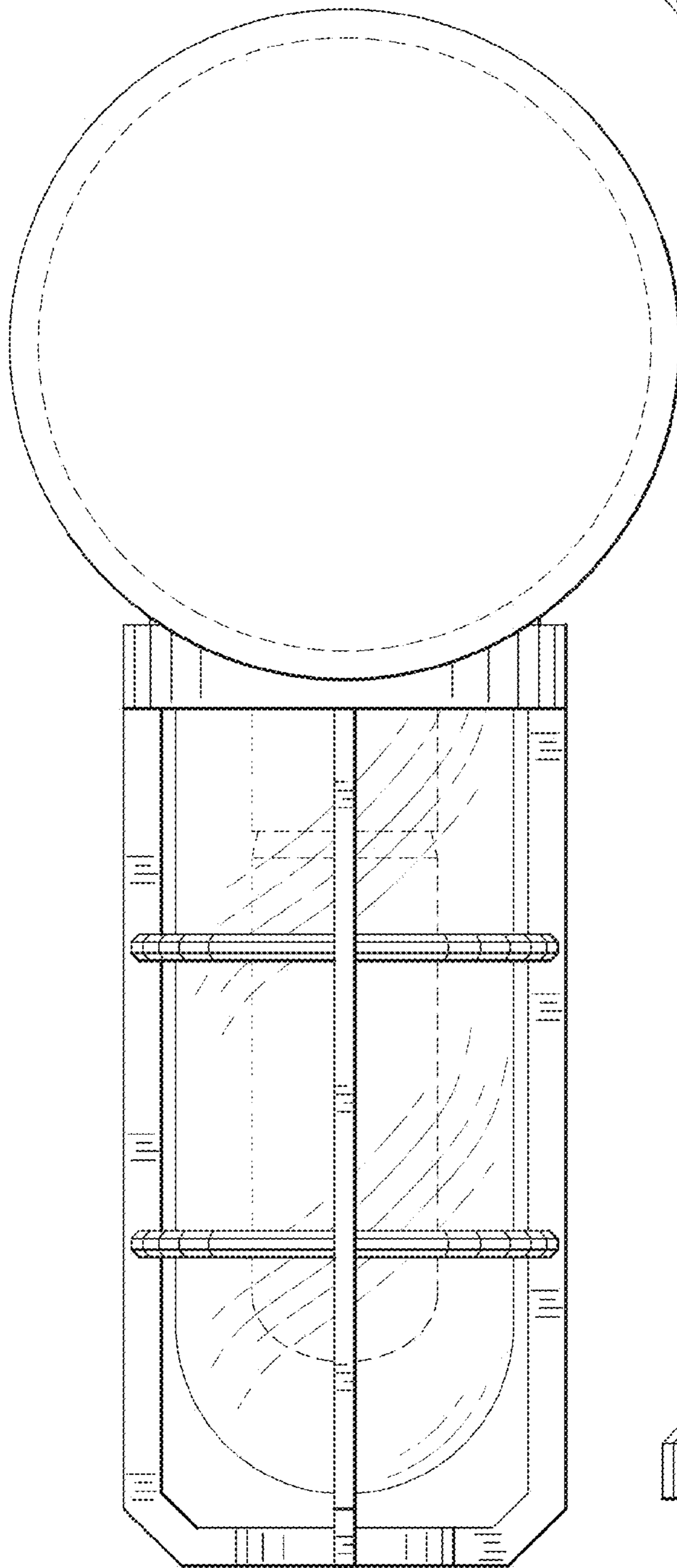


FIG. 5

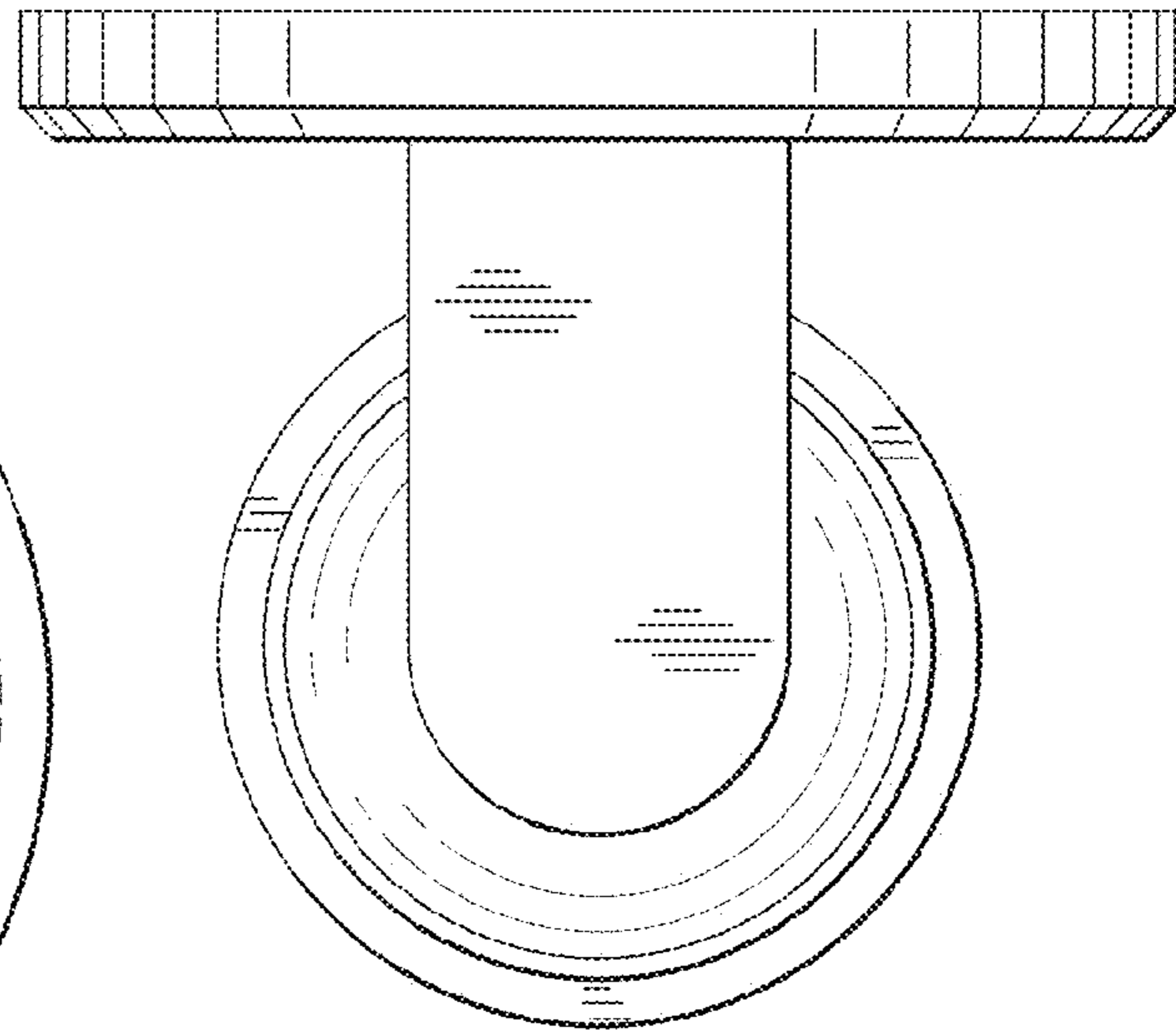


FIG. 6

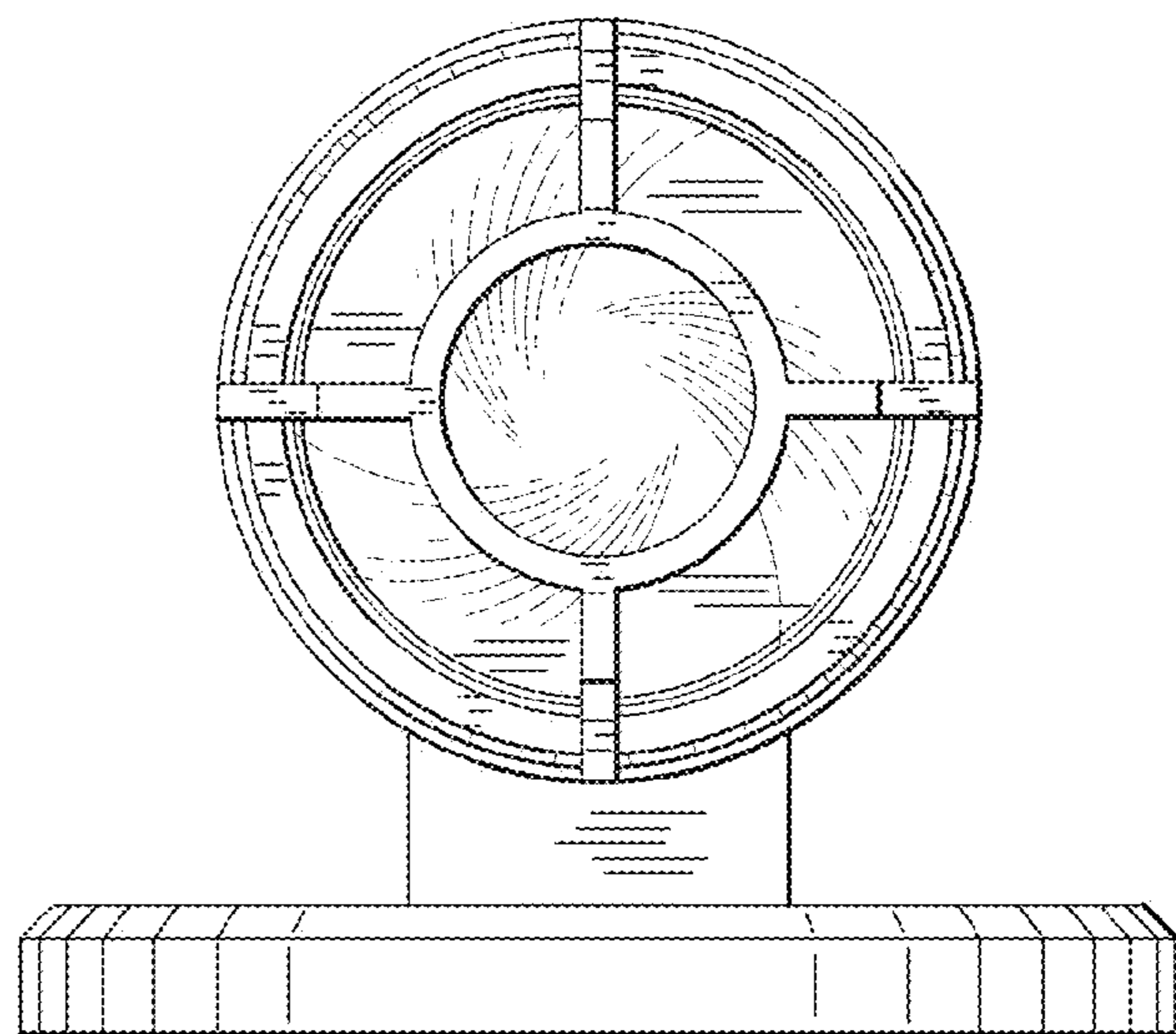


FIG. 7

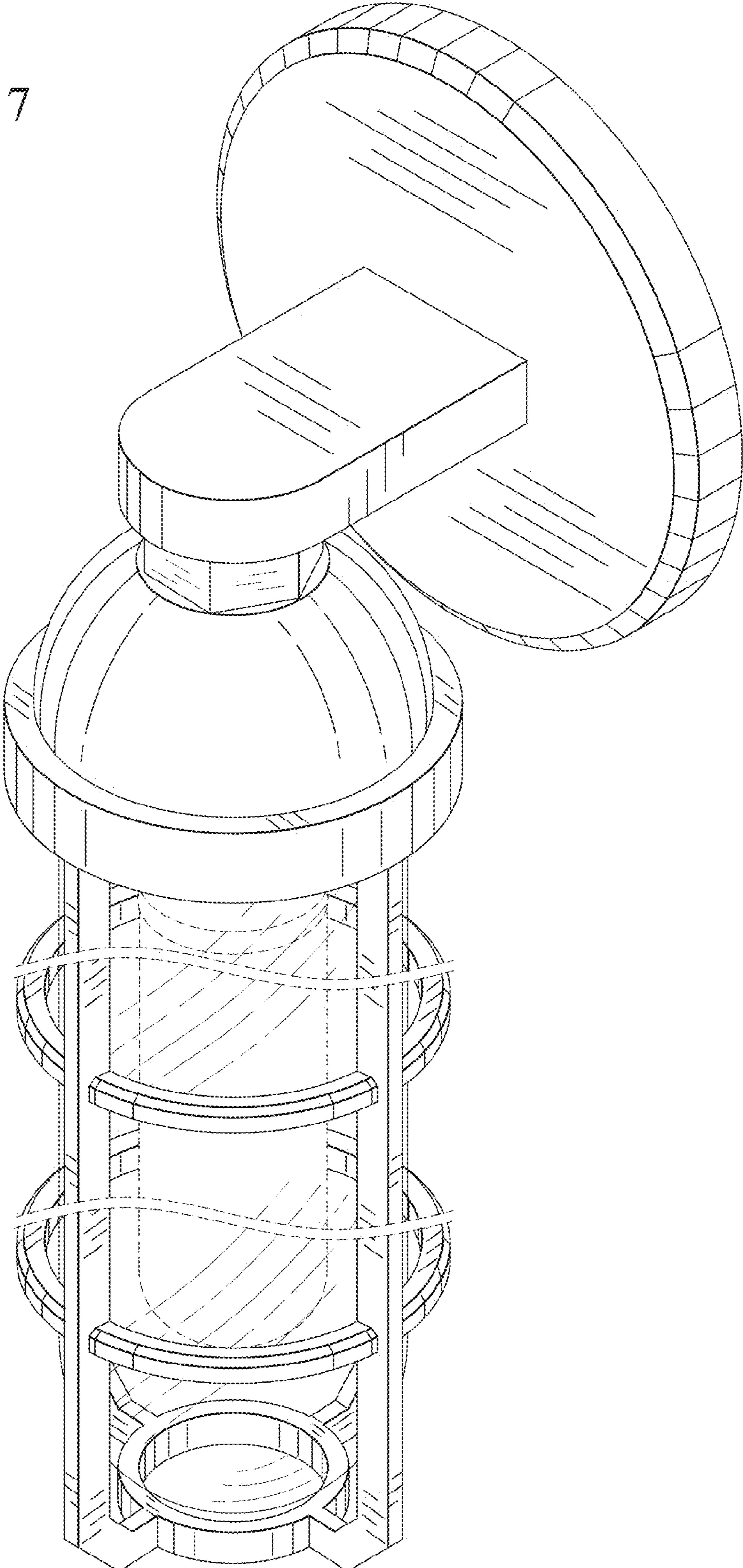


FIG. 8

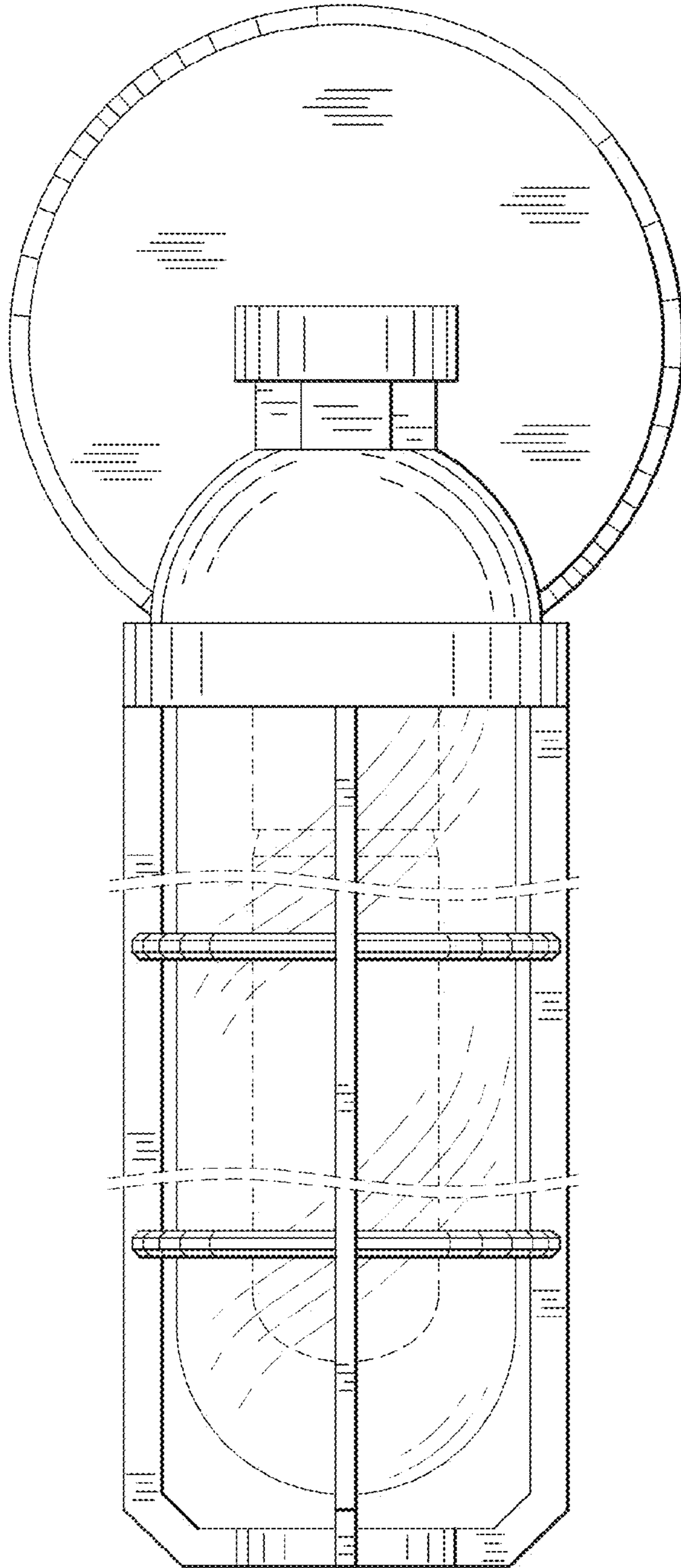


FIG. 9

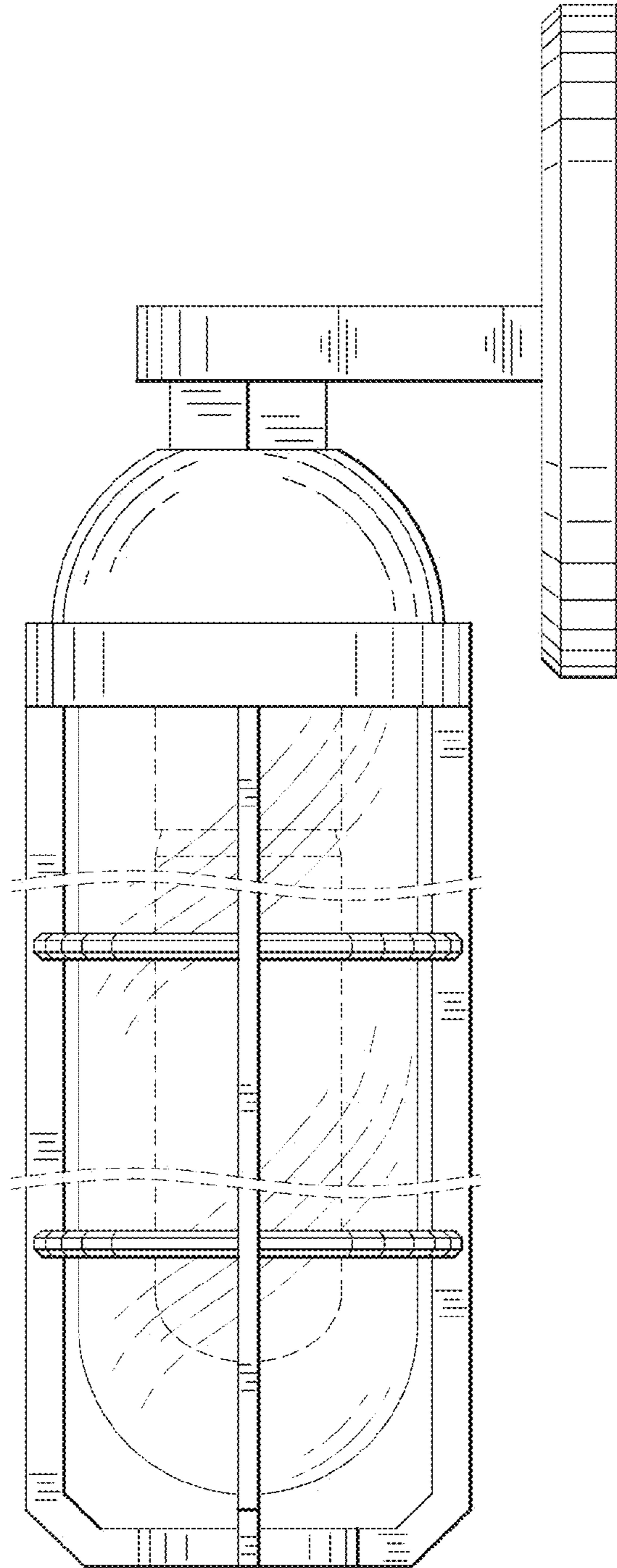


FIG. 10

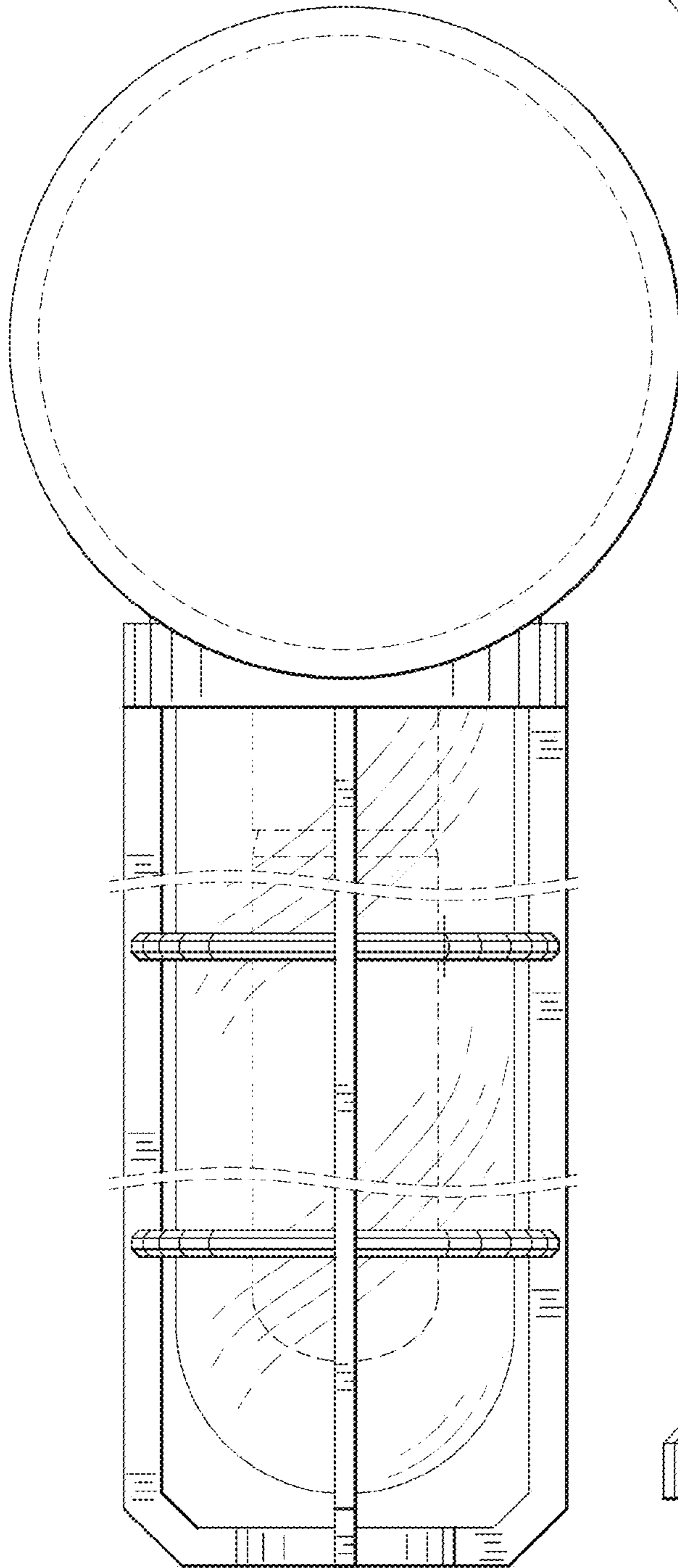


FIG. 11

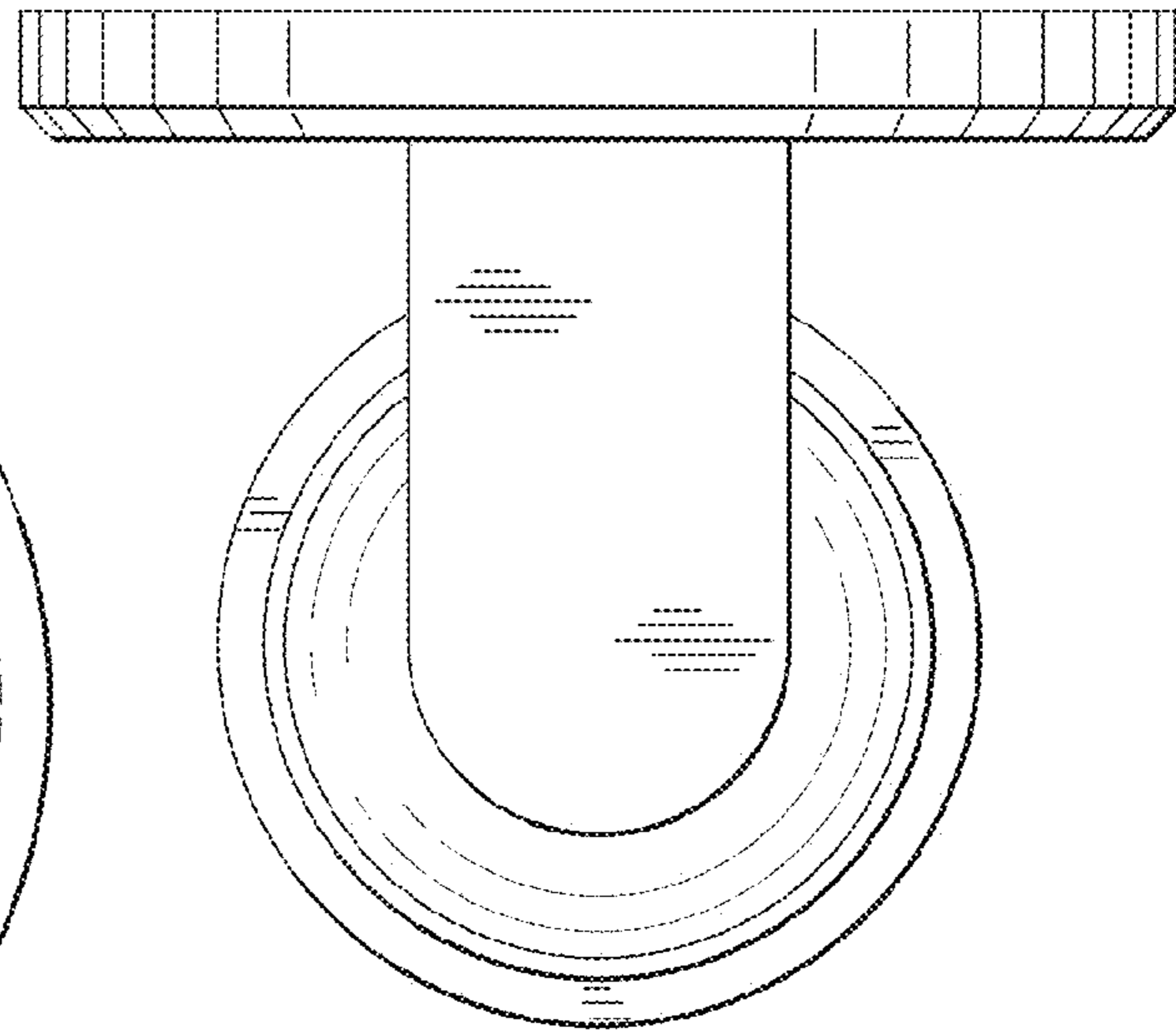


FIG. 12

