



US00D939755S

(12) **United States Design Patent**  
**Farzan**

(10) **Patent No.:** **US D939,755 S**

(45) **Date of Patent:** **\*\* Dec. 28, 2021**

(54) **RECESSED LIGHTING FIXTURE WITH A FLEXIBLE DRIVER ASSEMBLY**

(71) Applicant: **NORA LIGHTING, INC.**, Commerce, CA (US)

(72) Inventor: **Fred Farzan**, Beverly Hills, CA (US)

(73) Assignee: **Nora Lighting, Inc.**, Commerce, CA (US)

(\*\*) Term: **15 Years**

(21) Appl. No.: **29/705,818**

(22) Filed: **Sep. 16, 2019**

**Related U.S. Application Data**

(62) Division of application No. 29/591,401, filed on Jan. 19, 2017, now Pat. No. Des. 860,500.

(51) **LOC (13) Cl.** ..... **26-05**

(52) **U.S. Cl.**  
USPC ..... **D26/74**

(58) **Field of Classification Search**

USPC ..... D26/74, 72, 75, 76, 77, 78, 85, 88, 89, D26/118, 138, 141, 67, 70; 362/364, 362/365, 373, 145, 146, 147, 148, 150, 362/153, 153.1, 294, 296.01, 296.07, 362/296.08

CPC ..... F21V 29/2262; F21V 7/06; F21V 21/044; F21V 21/047; F21V 29/2212; F21V 29/2225; F21V 29/2256; F21V 29/225; F21V 29/2268; F21Y 2111/002; F21S 8/02; F21S 8/026

See application file for complete search history.

(56) **References Cited**

**U.S. PATENT DOCUMENTS**

D400,281 S 10/1998 Kerr  
D411,889 S \* 7/1999 Risi ..... D25/108

D473,670 S 4/2003 Kelmelis  
D491,686 S \* 6/2004 Citterio ..... D26/72  
D493,559 S 7/2004 Park  
D599,943 S 9/2009 Bergmann  
D600,392 S \* 9/2009 Ling ..... D26/74  
D602,624 S 10/2009 Kawaguchi  
D611,641 S 3/2010 Dworschak  
D633,243 S 2/2011 Call  
D646,831 S 10/2011 Pan  
D679,849 S 4/2013 Ham

(Continued)

*Primary Examiner* — Angela J Lee

(74) *Attorney, Agent, or Firm* — K&L Gates LLP

(57) **CLAIM**

The ornamental design for a recessed lighting fixture with a flexible driver assembly, as shown and described.

**DESCRIPTION**

FIG. 1 illustrates a perspective view of a front side of a recessed lighting fixture with a flexible driver assembly.

FIG. 2 illustrates a top-perspective view of the recessed lighting fixture with an enclosure box shown as being transparent.

FIG. 3 illustrates a bottom-up view of the recessed lighting fixture with the enclosure box shown as being transparent.

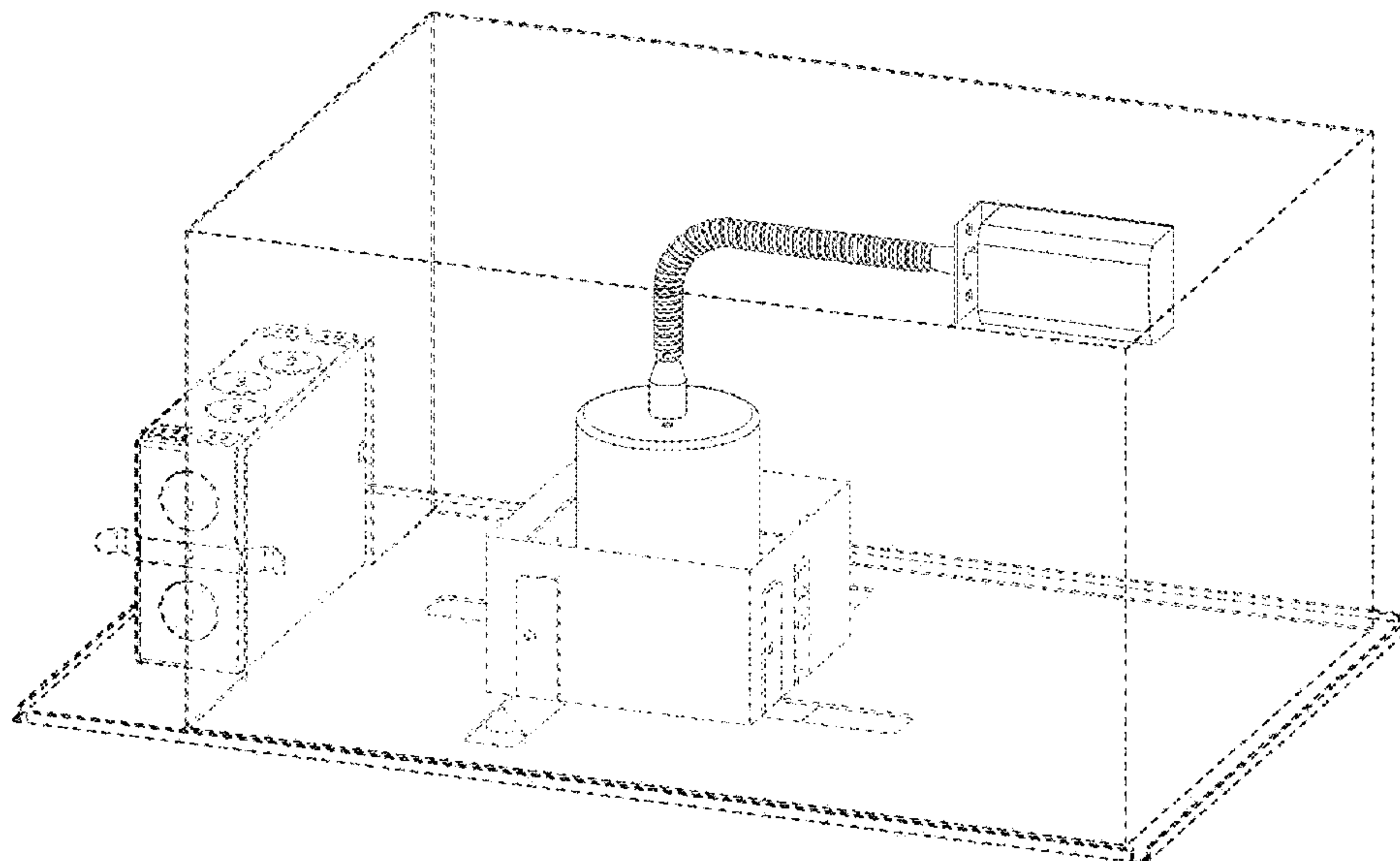
FIG. 4 illustrates a top-down view of the recessed lighting fixture with the enclosure box shown as being transparent.

FIG. 5 illustrates a first side view of the recessed lighting fixture with the enclosure box shown as being transparent; and,

FIG. 6 illustrates a second side view of the recessed lighting fixture with the enclosure box shown as being transparent.

Broken lines shown in the drawings represent portions of the recessed lighting fixture with a flexible driver assembly that form no part of the claimed design.

**1 Claim, 6 Drawing Sheets**



(56)

**References Cited**

U.S. PATENT DOCUMENTS

D702,868 S *	4/2014	Patel .....	D26/74
D713,585 S	9/2014	Van Lierde	
D759,287 S *	6/2016	Chen .....	D26/89
D848,657 S *	5/2019	Farzan .....	D26/74
D857,271 S *	8/2019	Farzan .....	D26/74
D860,500 S *	9/2019	Farzan .....	D26/74
D877,390 S *	3/2020	Farzan .....	D26/74
D890,976 S *	7/2020	Farzan .....	D26/74
D895,187 S *	9/2020	Farzan .....	D26/74

\* cited by examiner

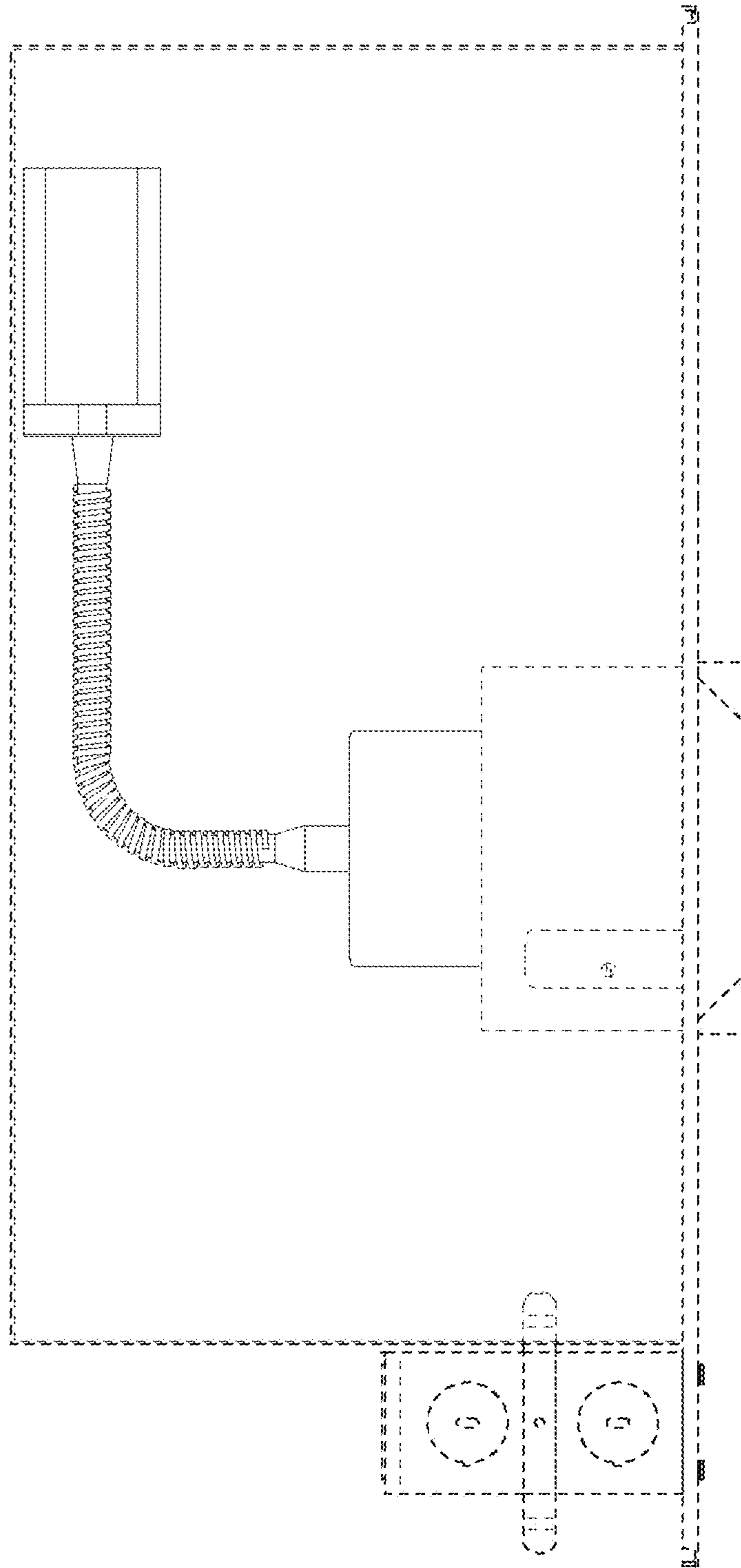


FIG. 1

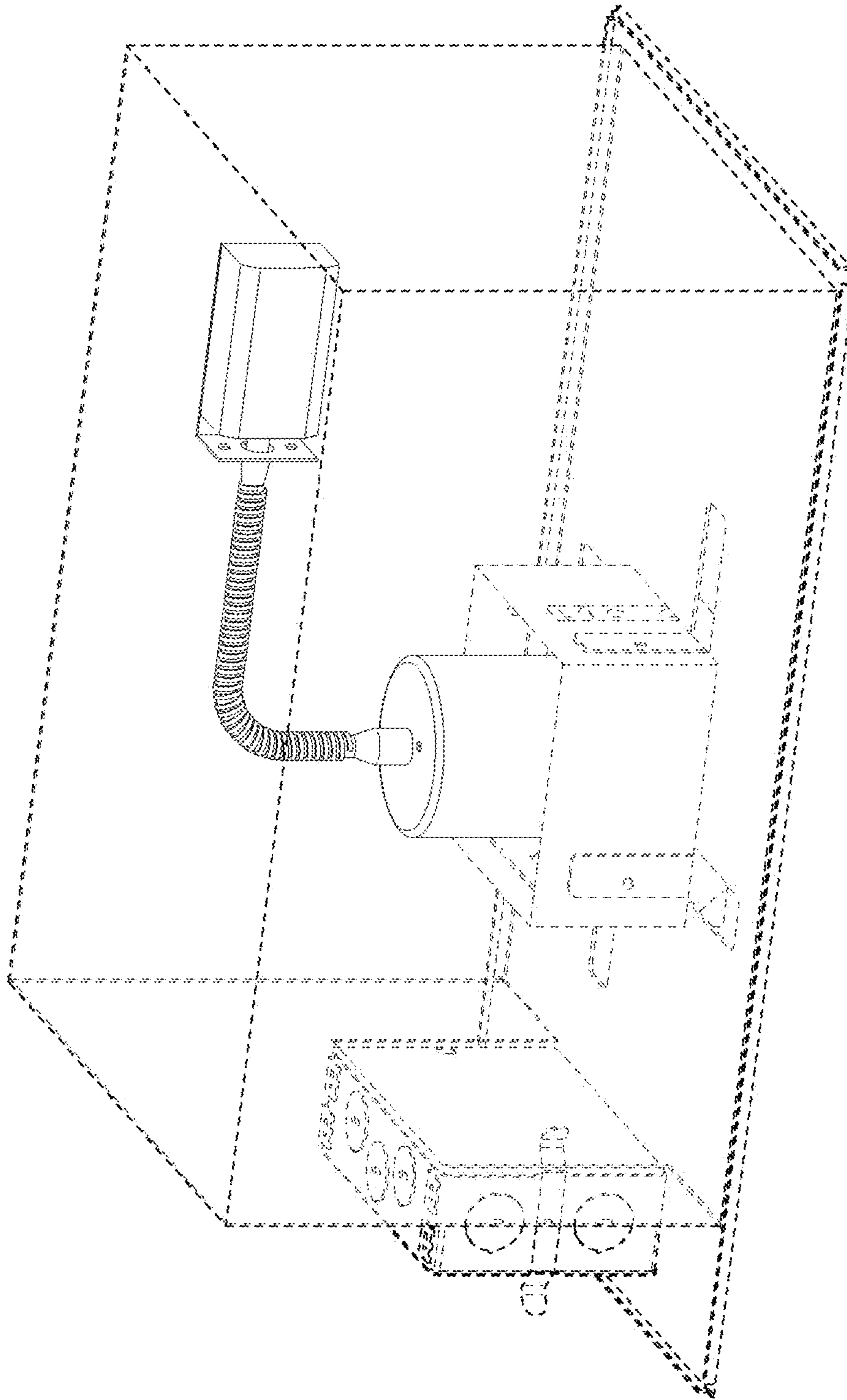


FIG. 2

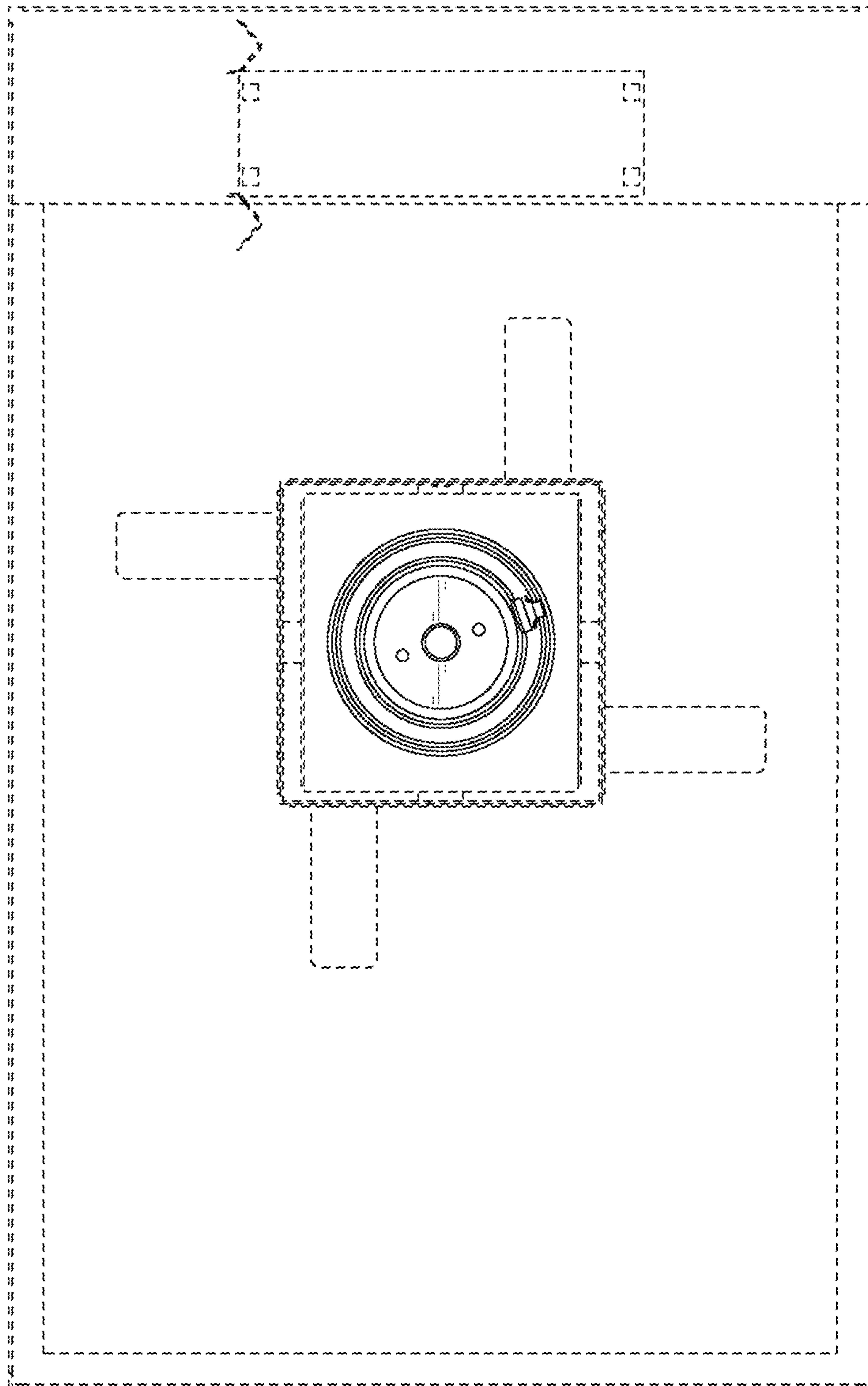


FIG. 3



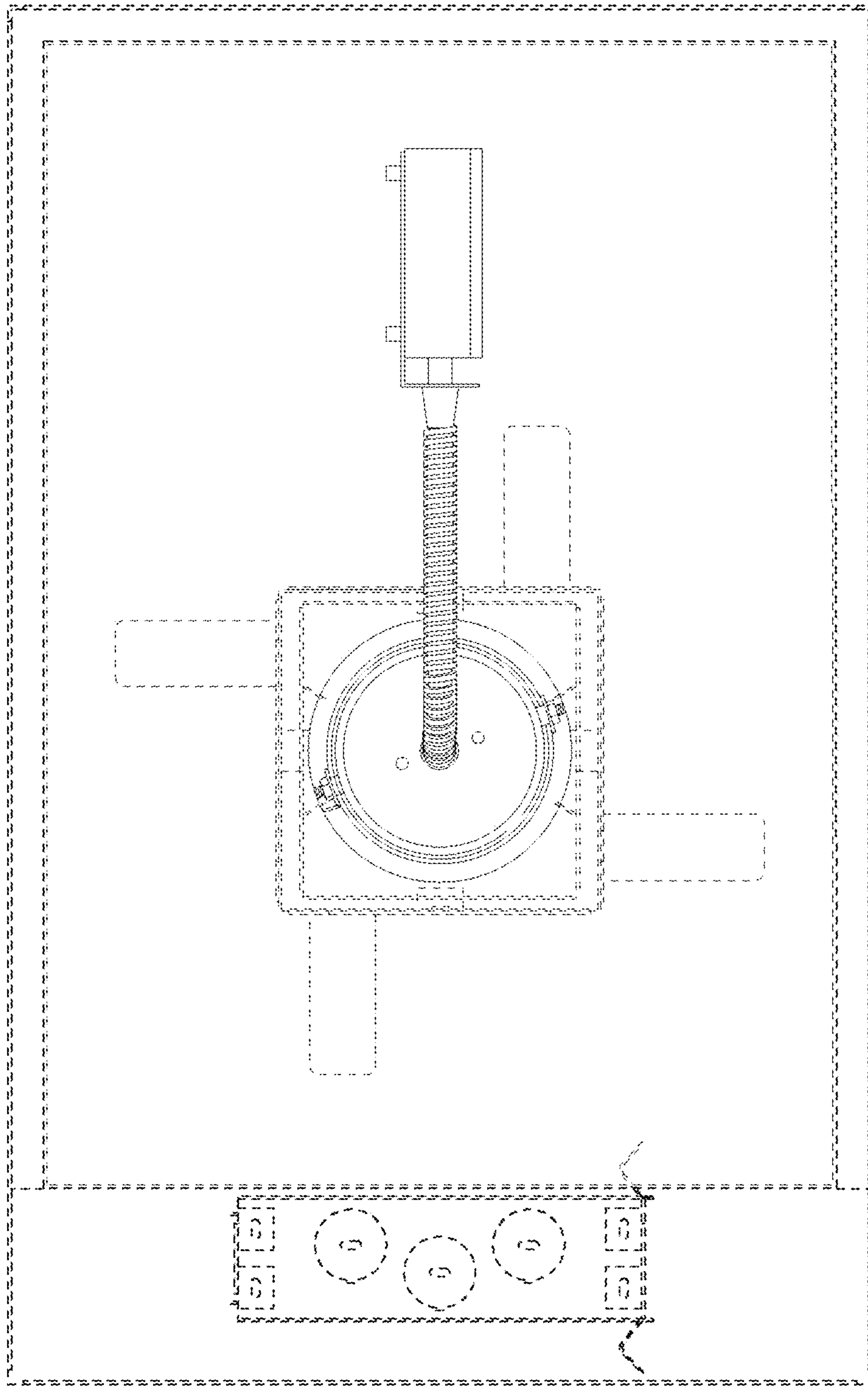


FIG. 4

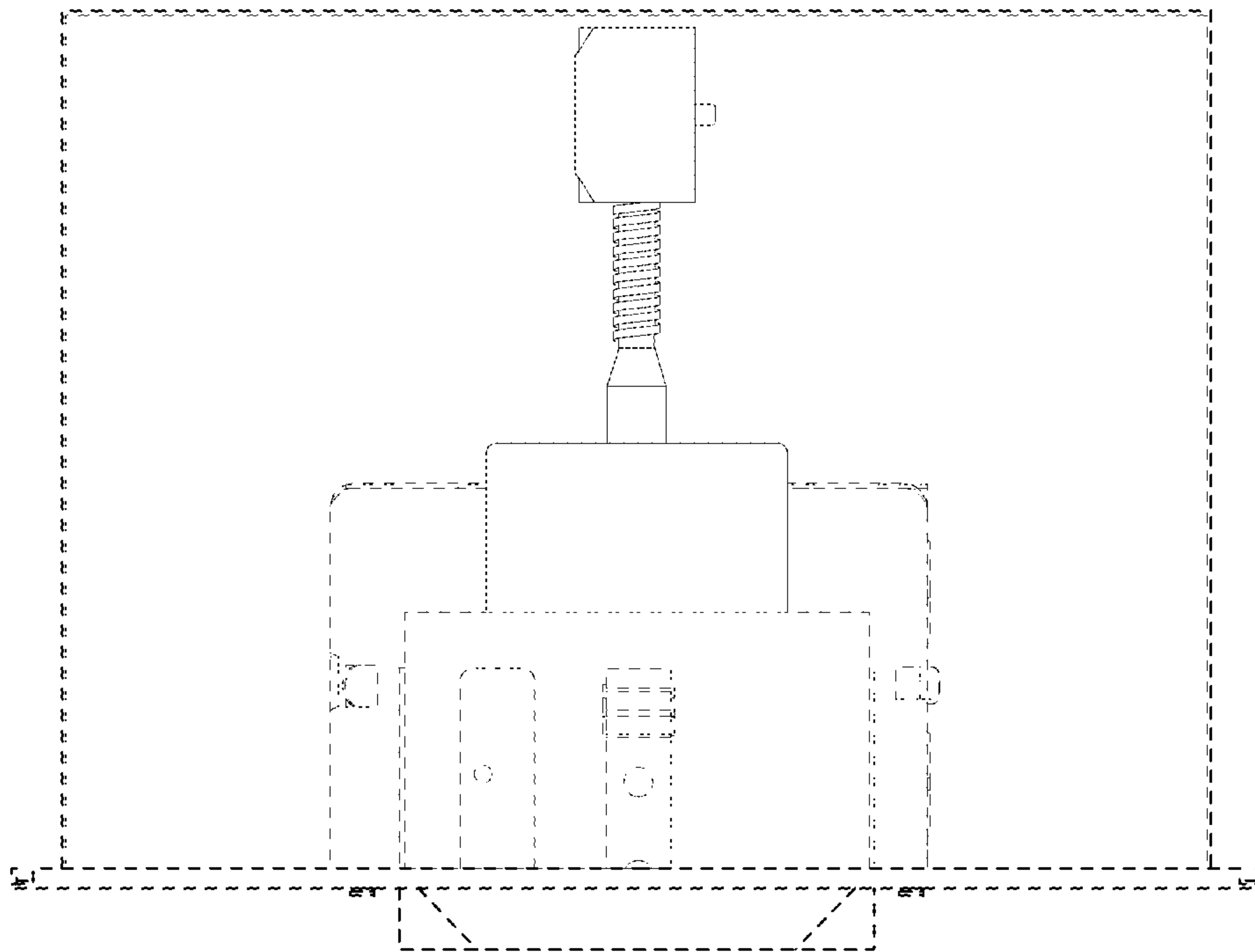


FIG. 5

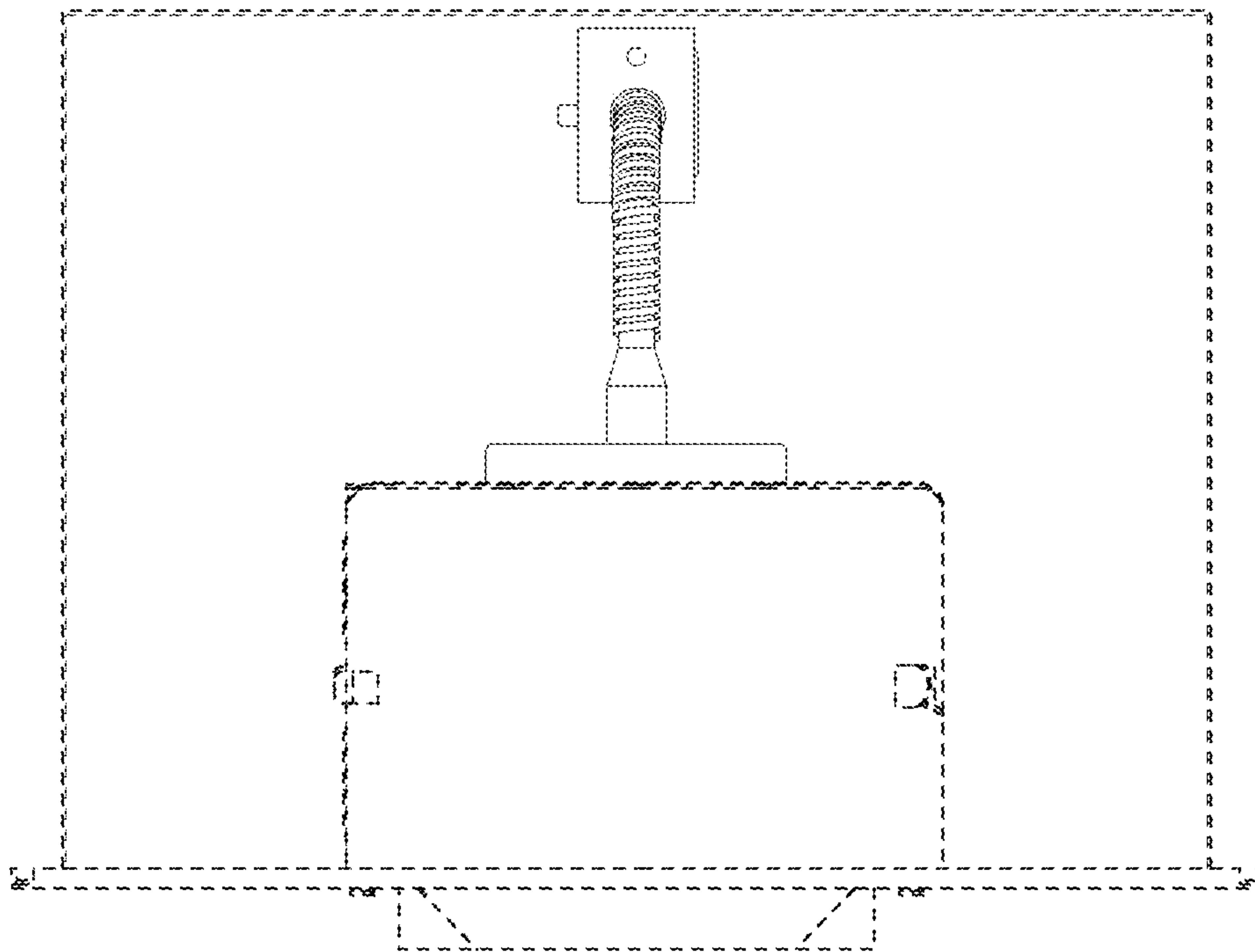


FIG. 6