



US00D939754S

(12) **United States Design Patent**
Ghasabi

(10) **Patent No.:** **US D939,754 S**

(45) **Date of Patent:** **** Dec. 28, 2021**

(54) **LIGHT FIXTURE**

(71) Applicant: **Luminiz Inc.**, Etobicoke (CA)

(72) Inventor: **Amir Ghasabi**, Etobicoke (CA)

(73) Assignee: **Luminiz Inc.**, Etobicoke (CA)

(**) Term: **15 Years**

(21) Appl. No.: **29/704,779**

(22) Filed: **Sep. 6, 2019**

Related U.S. Application Data

(62) Division of application No. 29/640,775, filed on Mar. 16, 2018, now Pat. No. Des. 880,041.

(51) **LOC (13) Cl.** **26-05**

(52) **U.S. Cl.**
USPC **D26/74**

(58) **Field of Classification Search**
USPC D26/74, 72, 75, 76, 77, 78, 85, 88, 89,
D26/118, 138, 141; 362/364, 365, 373,
(Continued)

(56) **References Cited**

U.S. PATENT DOCUMENTS

D291,253 S 8/1987 Ortega
5,457,617 A 10/1995 Chan et al.
(Continued)

FOREIGN PATENT DOCUMENTS

DE 102012101228 A1 8/2012
GB 2509772 A 7/2014

OTHER PUBLICATIONS

Non-final Office Action and Notice of References Cited dated Sep. 2, 2020 in U.S. Appl. No. 16/026,604 (22 pages).

(Continued)

Primary Examiner — Angela J Lee

(74) *Attorney, Agent, or Firm* — Bereskin & Parr
LLP/S.E.N.C.R.L, s.r.l.; Isis E. Caulder; Ahmed Elmallah

(57) **CLAIM**

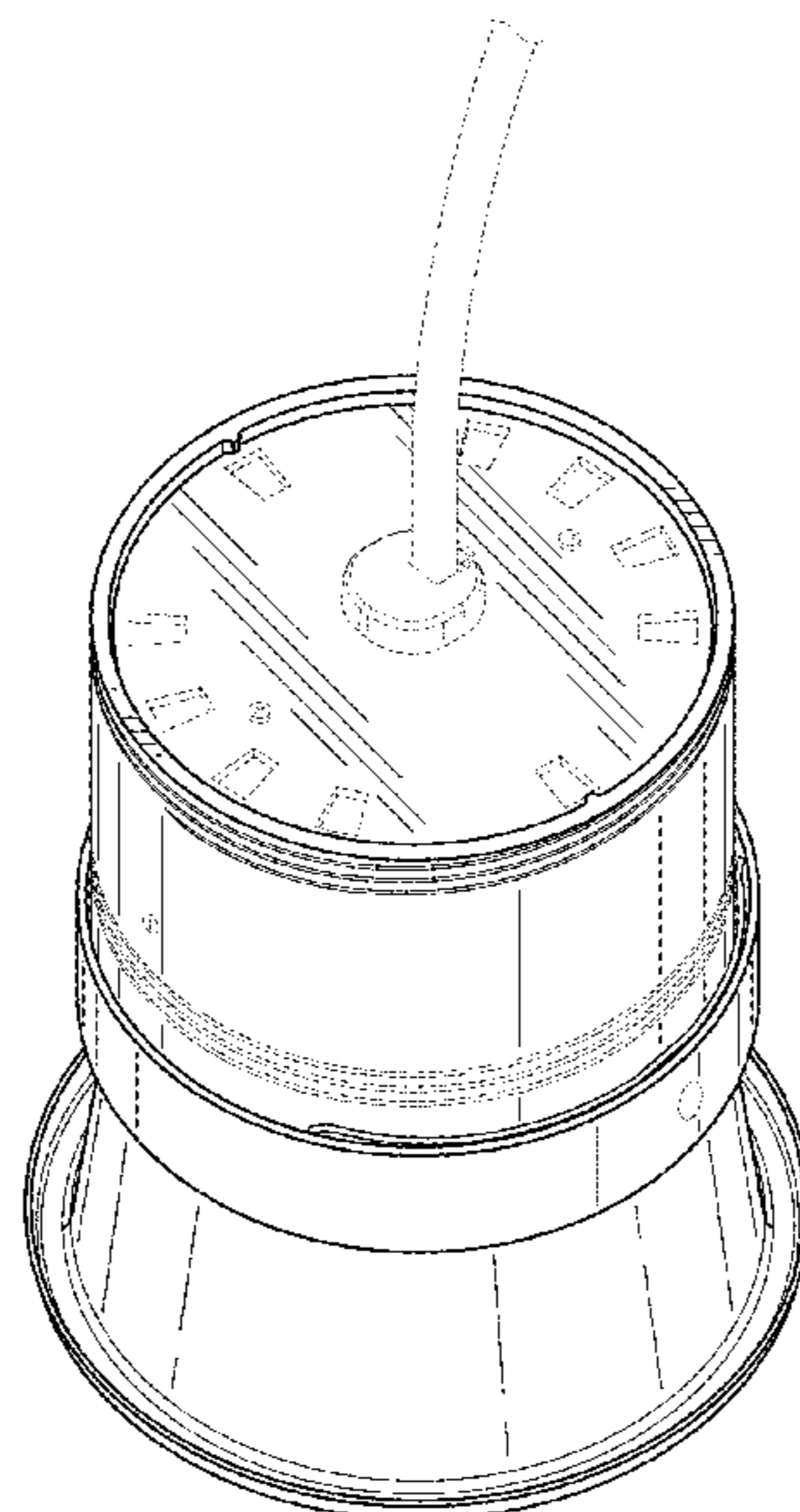
The ornamental design for a light fixture, as shown and described.

DESCRIPTION

FIG. 1 shows a top perspective view of a light source and baffle for the light fixture;
FIG. 2 shows a bottom perspective view of the design of FIG. 1;
FIG. 3 shows a front side elevation view of the design of FIG. 1;
FIG. 4 shows a left side elevation view of the design of FIG. 1;
FIG. 5 shows a rear side elevation view of the design of FIG. 1;
FIG. 6 shows a right side elevation view of the design of FIG. 1;
FIG. 7 shows a top plan view of the design of FIG. 1;
FIG. 8 shows a bottom plan view of the design of FIG. 1;
FIG. 9 shows a top perspective view of the light source and baffle shown in FIG. 1 and a trim for the light fixture;
FIG. 10 shows a bottom perspective view of the design of FIG. 9;
FIG. 11 shows a left side elevation view of the design of FIG. 9;
FIG. 12 shows a top plan view of the design of FIG. 9;
FIG. 13 shows a bottom plan view of the design of FIG. 9;
and,
FIG. 14 shows a partially exploded view of the design of FIG. 9.

The broken line portions are included to show unclaimed subject matter only and form no part of the claimed design.

1 Claim, 14 Drawing Sheets



(58) **Field of Classification Search**

USPC 362/145, 146, 147, 148, 150, 153, 153.1,
 362/294, 296.01, 296.07, 296.08
 CPC F21V 29/2262; F21V 7/06; F21V 21/044;
 F21V 21/047; F21V 29/2212; F21V
 29/2225; F21V 29/2256; F21V 29/225;
 F21V 29/2268; F21Y 2111/002; F21S
 8/02; F21S 8/026

See application file for complete search history.

(56) **References Cited**

U.S. PATENT DOCUMENTS

D383,564 S	9/1997	Lecluze	
D397,486 S	8/1998	Engle et al.	
D399,590 S	10/1998	Lecluze	
D437,074 S	1/2001	Johnson	
D488,583 S	4/2004	Benghozi	
D510,151 S	9/2005	Rashidi	
D544,128 S	6/2007	Carro	
D544,979 S	6/2007	Hartmann, Jr. et al.	
D568,522 S	5/2008	Engel	
D569,024 S	5/2008	Redfern	
D622,434 S	8/2010	Ward et al.	
D627,913 S	11/2010	Gielen	
D633,636 S	3/2011	Gielen	
D639,994 S	6/2011	Wauters	
D642,317 S	7/2011	Rashidi	
D646,416 S	10/2011	Wauters	
D655,436 S *	3/2012	Johnson	D26/74
D668,372 S	10/2012	Renshaw et al.	
D671,668 S	11/2012	Rowlette, Jr. et al.	
D677,418 S	3/2013	Wilson et al.	
D697,651 S	1/2014	Carpenter et al.	
D698,069 S	1/2014	Messisaen	
D698,071 S *	1/2014	Messiaen	D26/74
D699,880 S	2/2014	Szoke	
D705,473 S	5/2014	Messisaen	
D726,360 S *	4/2015	Messiaen	D26/74
D740,996 S	10/2015	Tragatschnig	
D766,497 S	9/2016	Salomon	
D767,194 S *	9/2016	Lee	D26/74
D767,809 S *	9/2016	Gotz-Schafer	D26/74

D772,466 S	11/2016	Zhang et al.	
D779,700 S *	2/2017	Lee	D26/74
D779,701 S *	2/2017	Lazalier	D26/74
D789,586 S	6/2017	Guzzini	
D793,579 S	8/2017	Kristensen	
D808,058 S *	1/2018	Johnson	D26/74
D816,256 S *	4/2018	Benghozi	D26/74
D816,257 S	4/2018	Ghasabi	
D824,566 S	7/2018	Santoro et al.	
D824,568 S	7/2018	Farzan	
D827,904 S	9/2018	Benghozi et al.	
D828,944 S	9/2018	Xie	
D831,873 S	10/2018	Rybol et al.	
D848,048 S	5/2019	Baumeister et al.	
D854,218 S	7/2019	Coirier	
D854,726 S	7/2019	Goetz-Schaefer	
D855,235 S	7/2019	Goetz-Schaefer	
D855,861 S	8/2019	Perrone	
D866,040 S	11/2019	Wu	
D867,645 S *	11/2019	Ye	D26/74
D880,041 S *	3/2020	Ghasabi	D26/74
D912,298 S *	3/2021	Leijh	D26/74
2007/0159816 A1	7/2007	Bayat et al.	
2014/0355274 A1	12/2014	Santiago et al.	
2015/0292692 A1	10/2015	Elmvang	
2016/0123545 A1	5/2016	Li	
2016/0348861 A1	12/2016	Bailey et al.	
2018/0266635 A1	9/2018	Dong et al.	
2019/0234577 A1	8/2019	Zhan et al.	
2019/0346120 A1	11/2019	Dong et al.	
2021/0215305 A1 *	7/2021	Mandy	F21S 8/026

OTHER PUBLICATIONS

Ex parte Quayle Office Action and Notice of References Cited dated Oct. 14, 2020 in Design U.S. Appl. No. 29/704,793 (6 pages).
 Ex parte Quayle Office Action and Notice of References Cited dated Oct. 30, 2020 in Design U.S. Appl. No. 29/704,788 (6 pages).
 Restriction Requirement and Notice of References Cited dated Jul. 5, 2019 in corresponding Design U.S. Appl. No. 29/640,775.
 Examiner's Report dated Dec. 5, 2019 in related CA Patent Application No. 3,010,273 (4 pages).
 Notices of Allowance and References Cited dated Jan. 2, 2020 in corresponding U.S. Appl. No. 29/640,775 (8 pages).

* cited by examiner

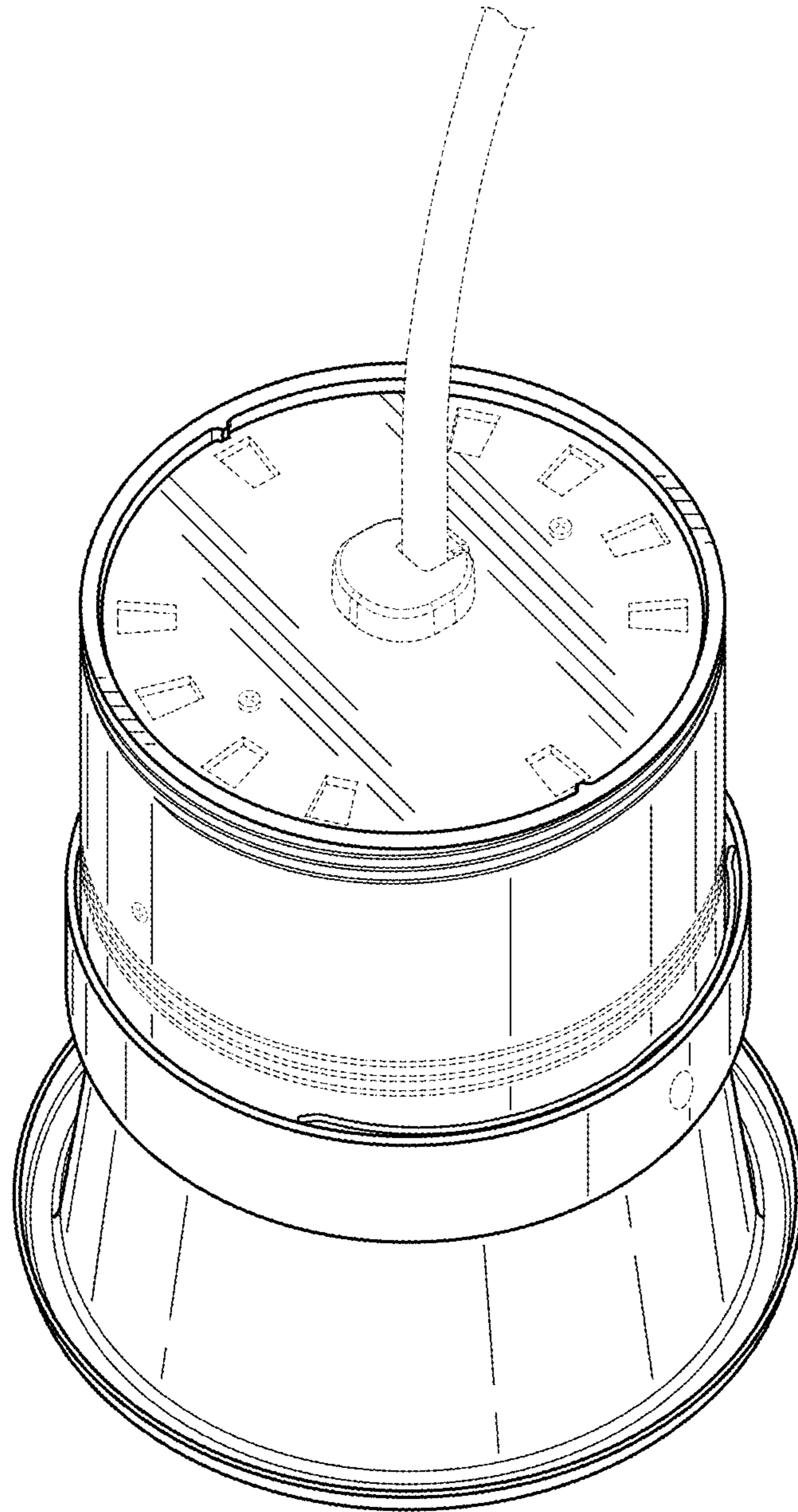


FIG. 1

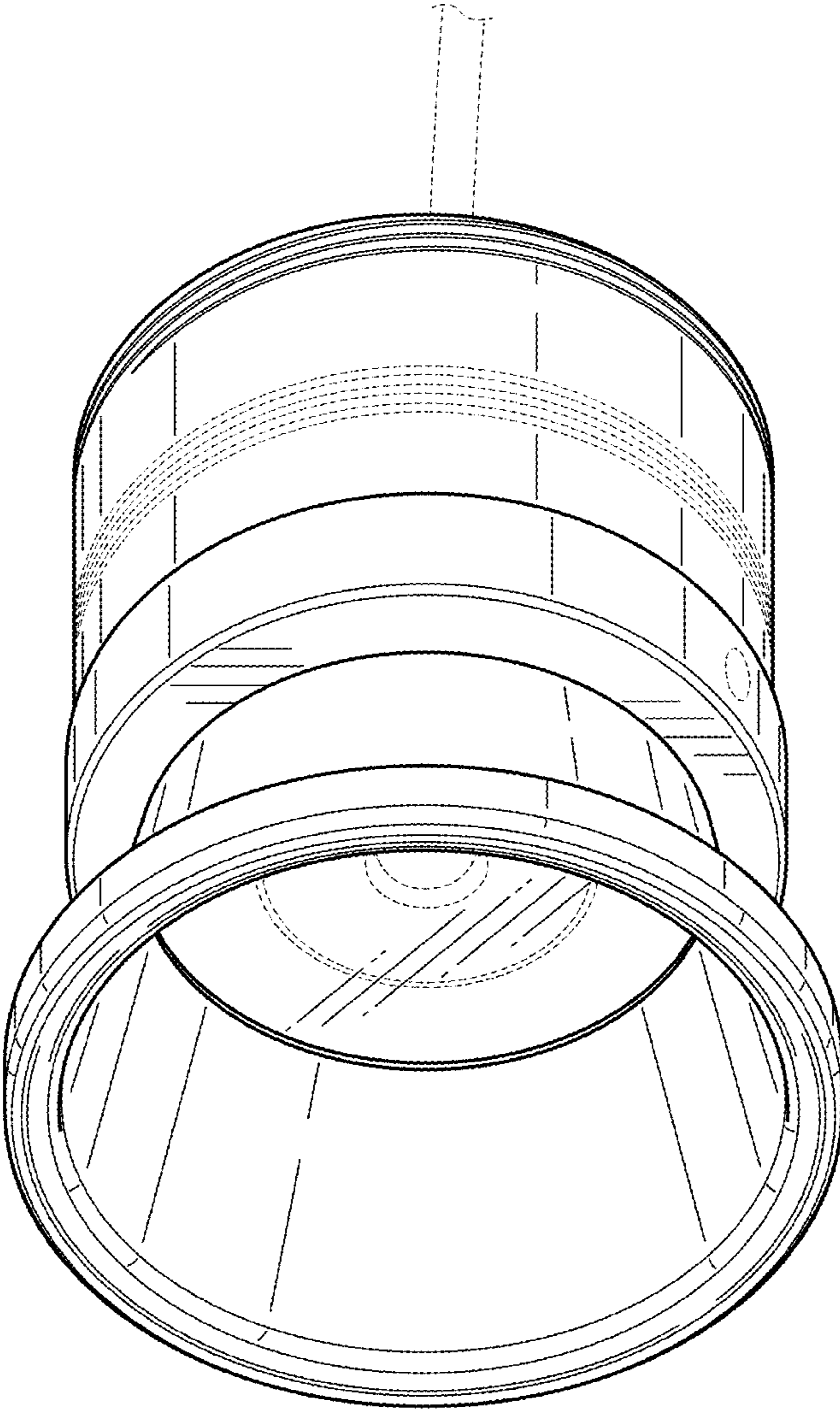


FIG. 2

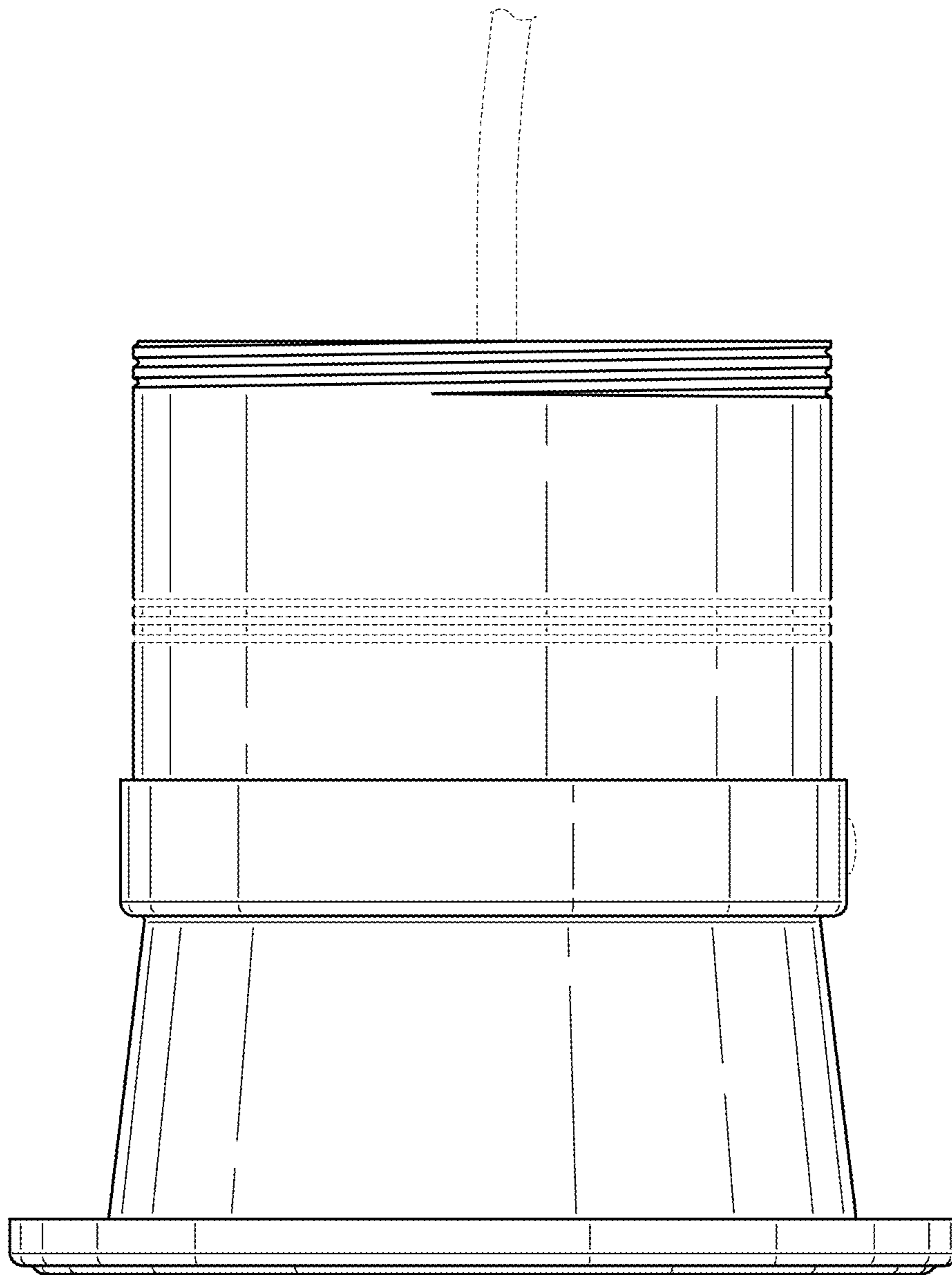


FIG. 3

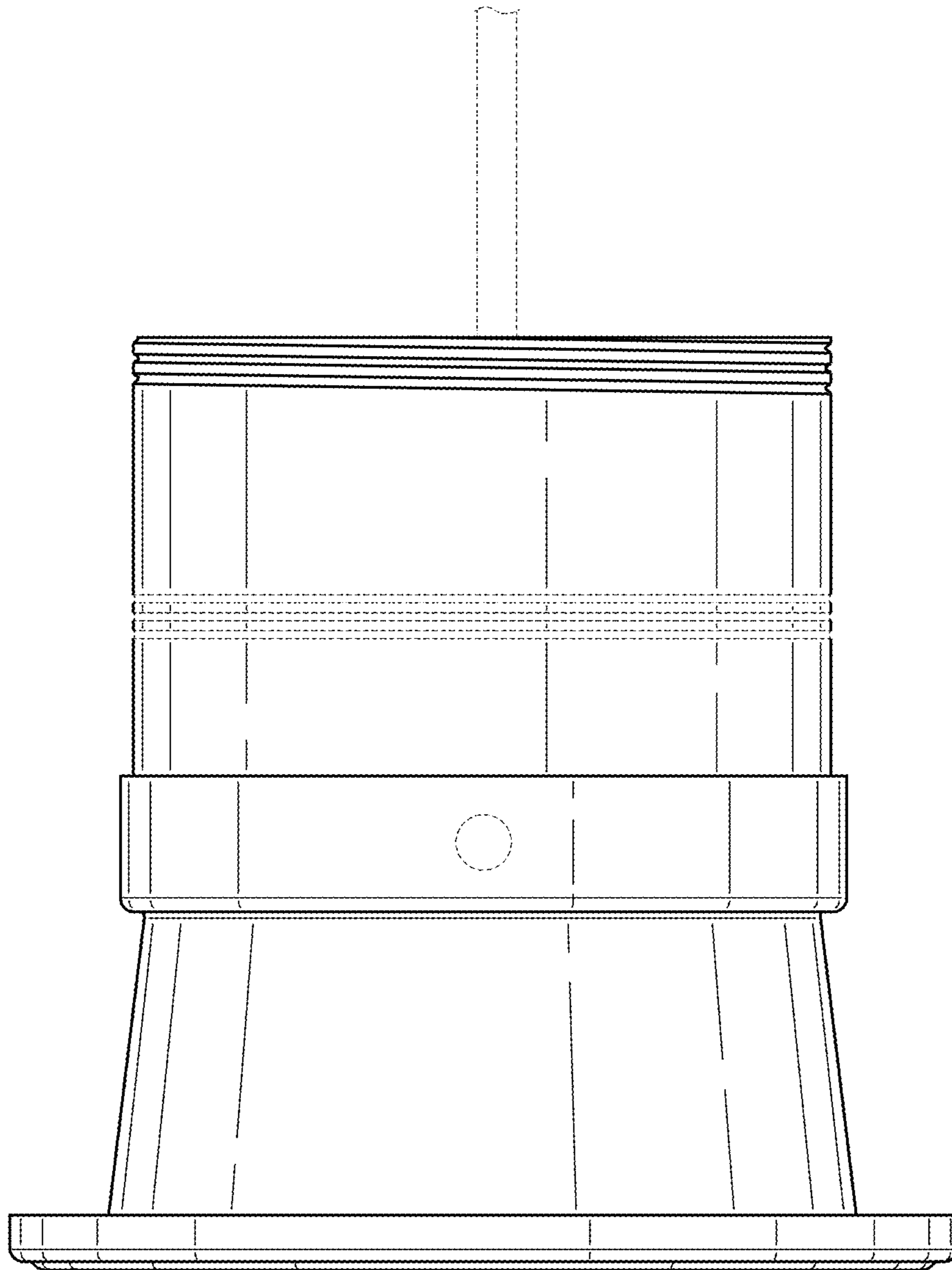


FIG. 4

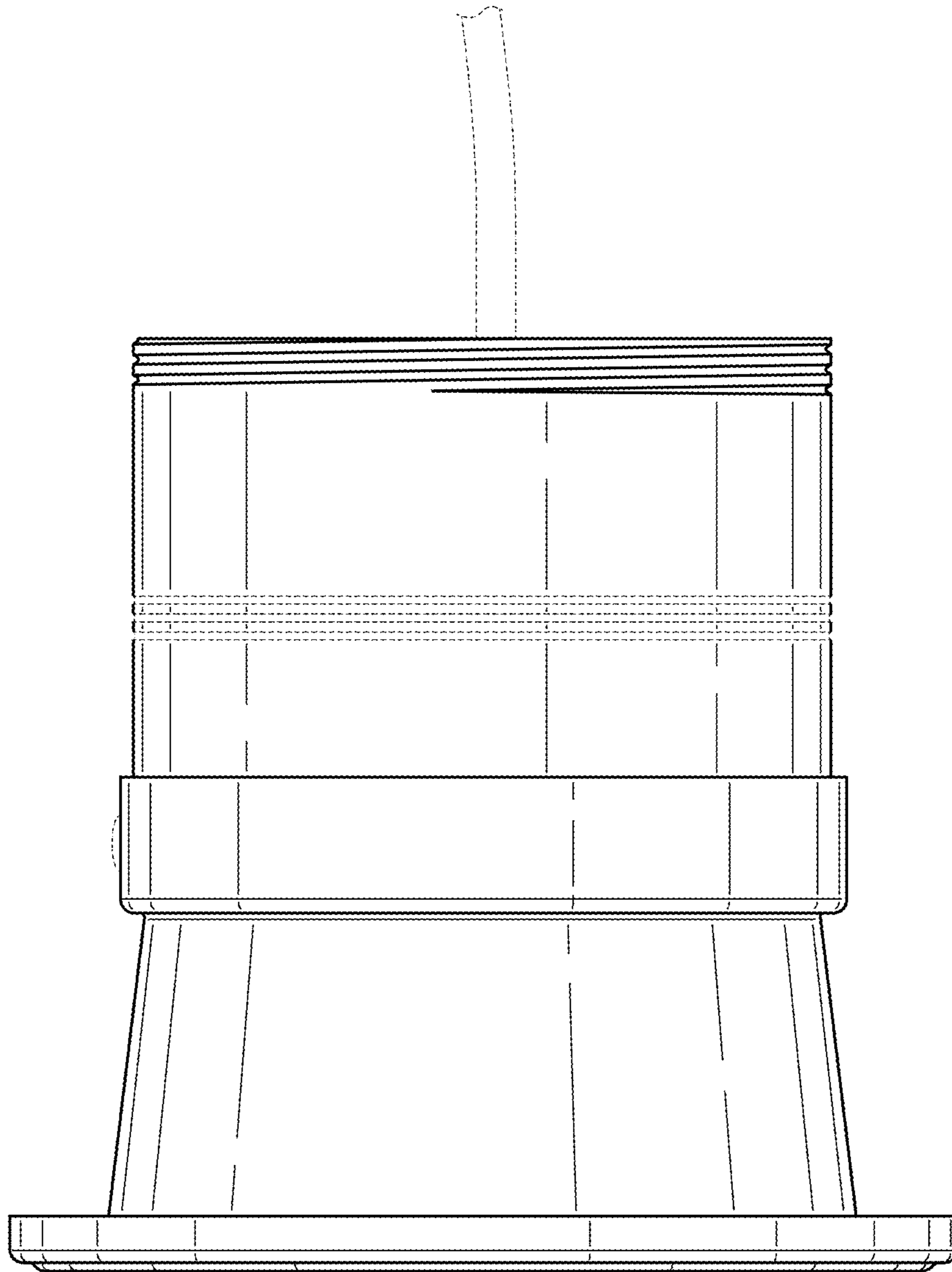


FIG. 5

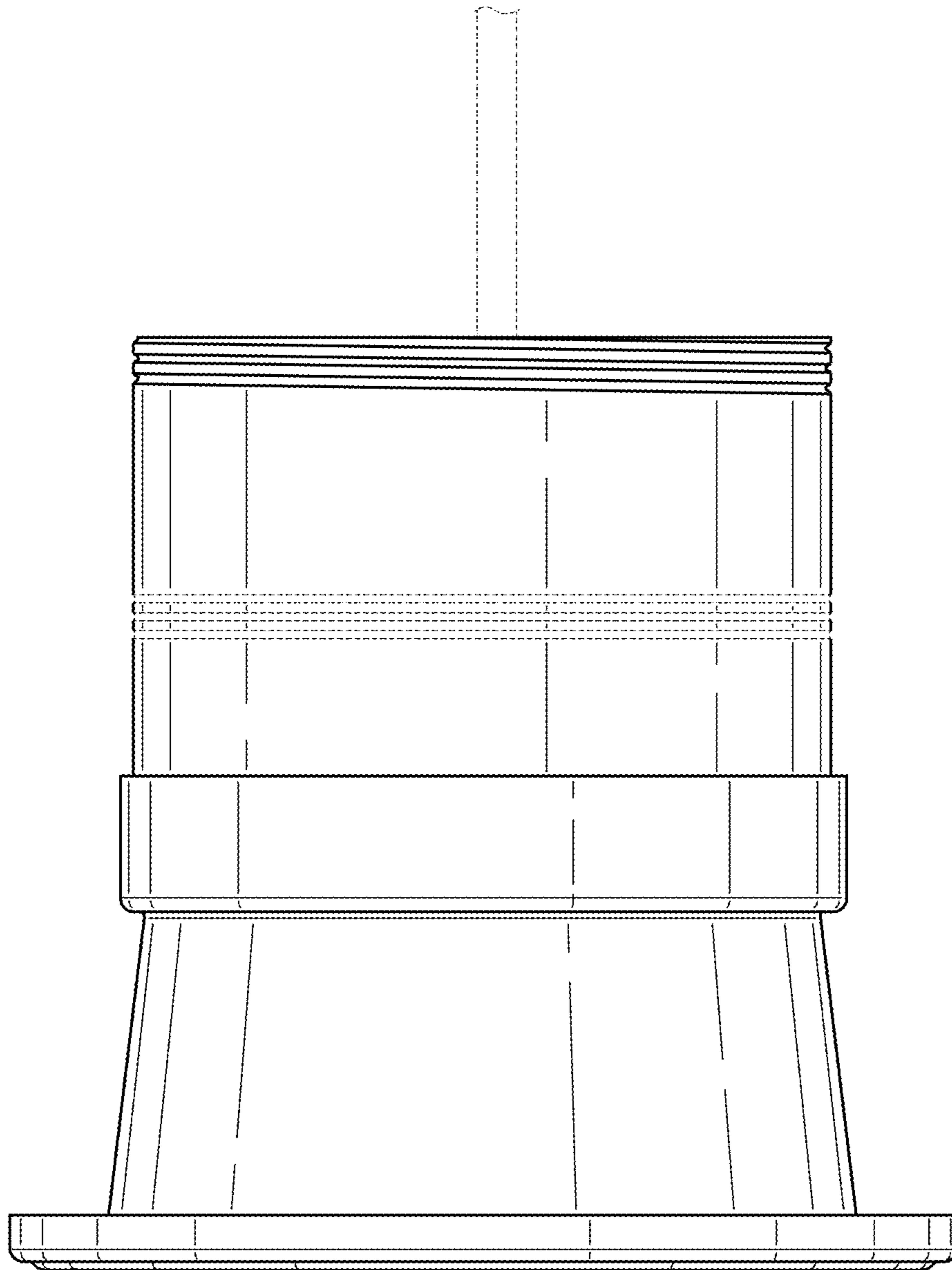


FIG. 6

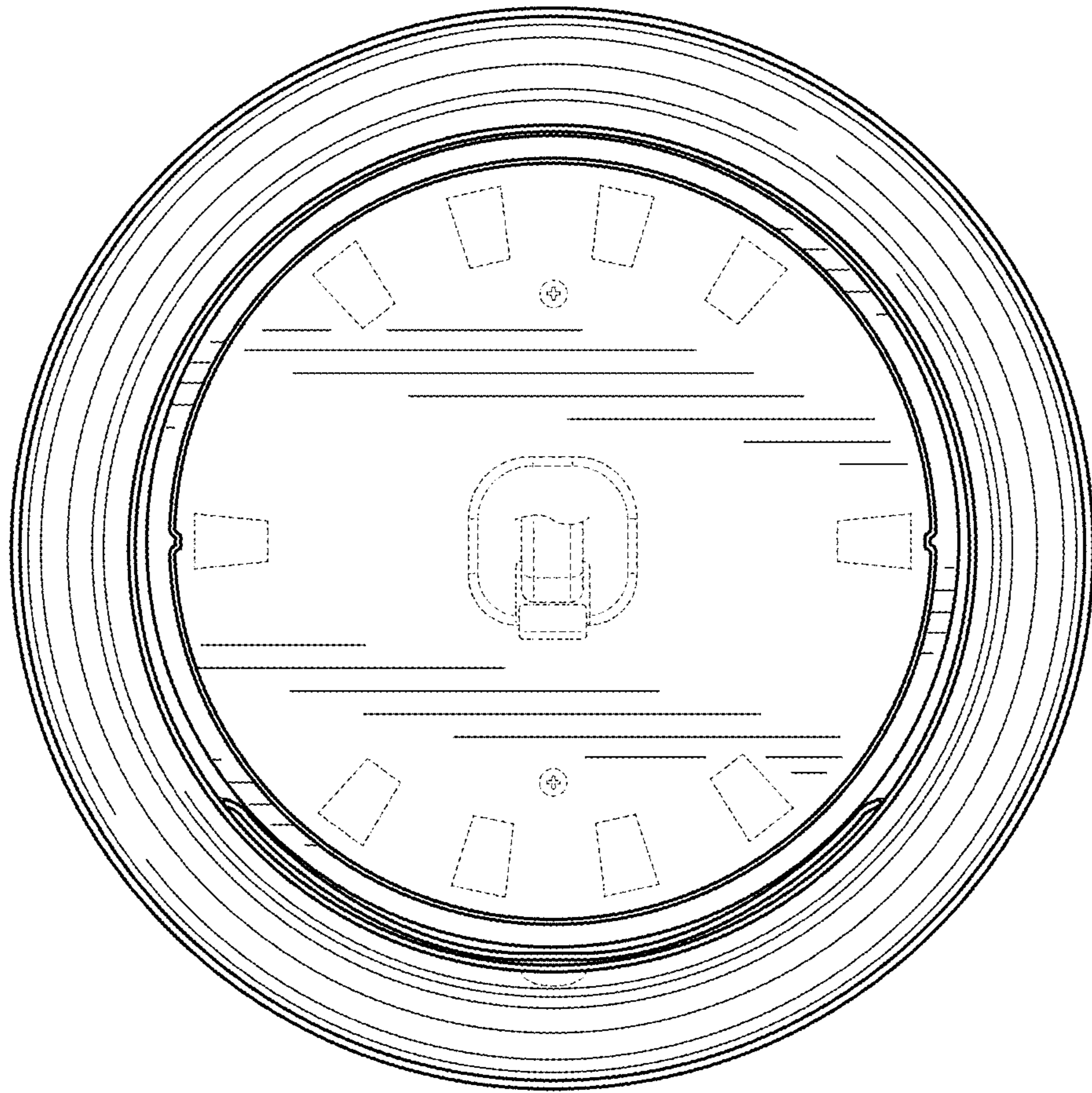


FIG. 7

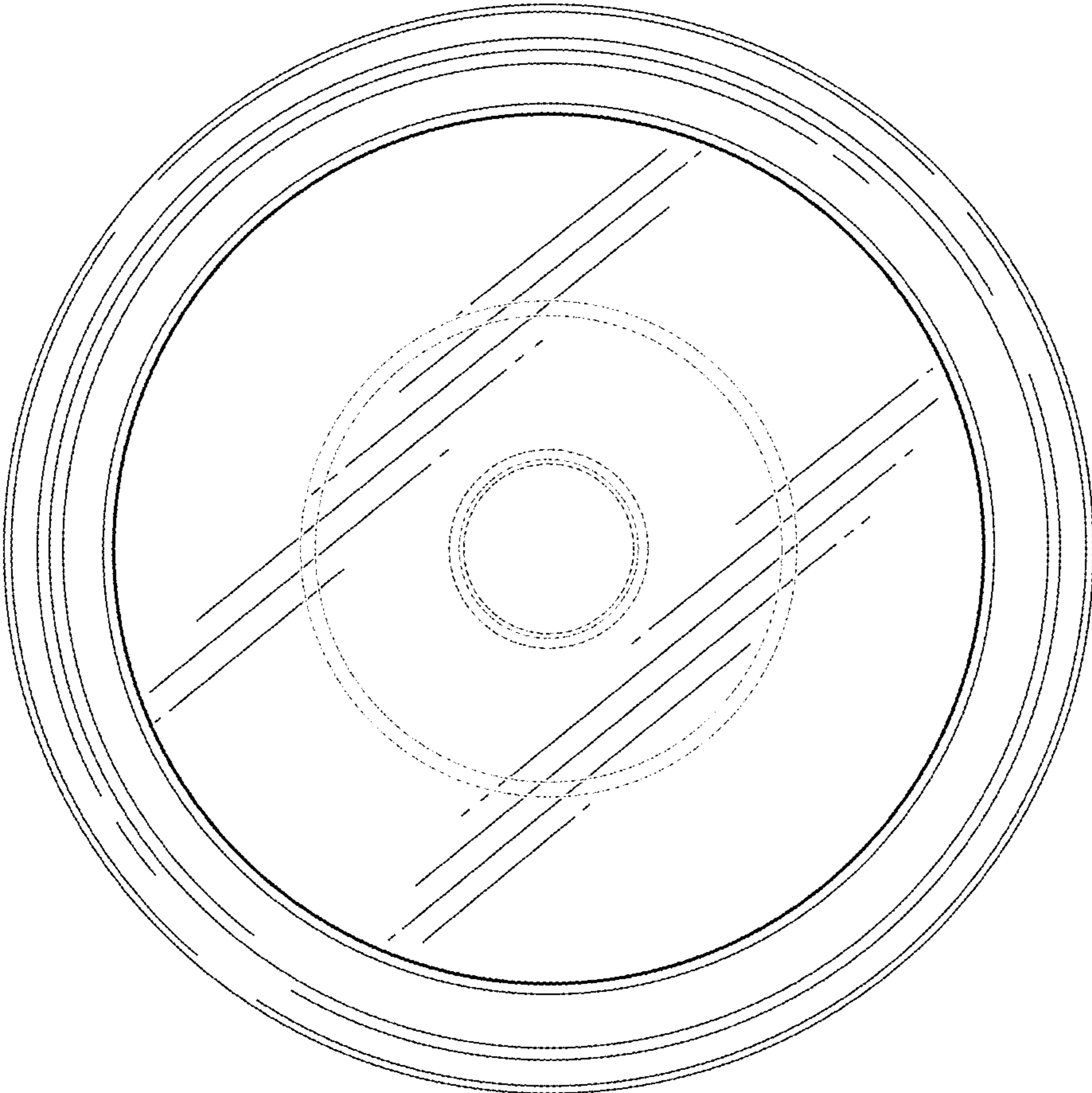


FIG. 8

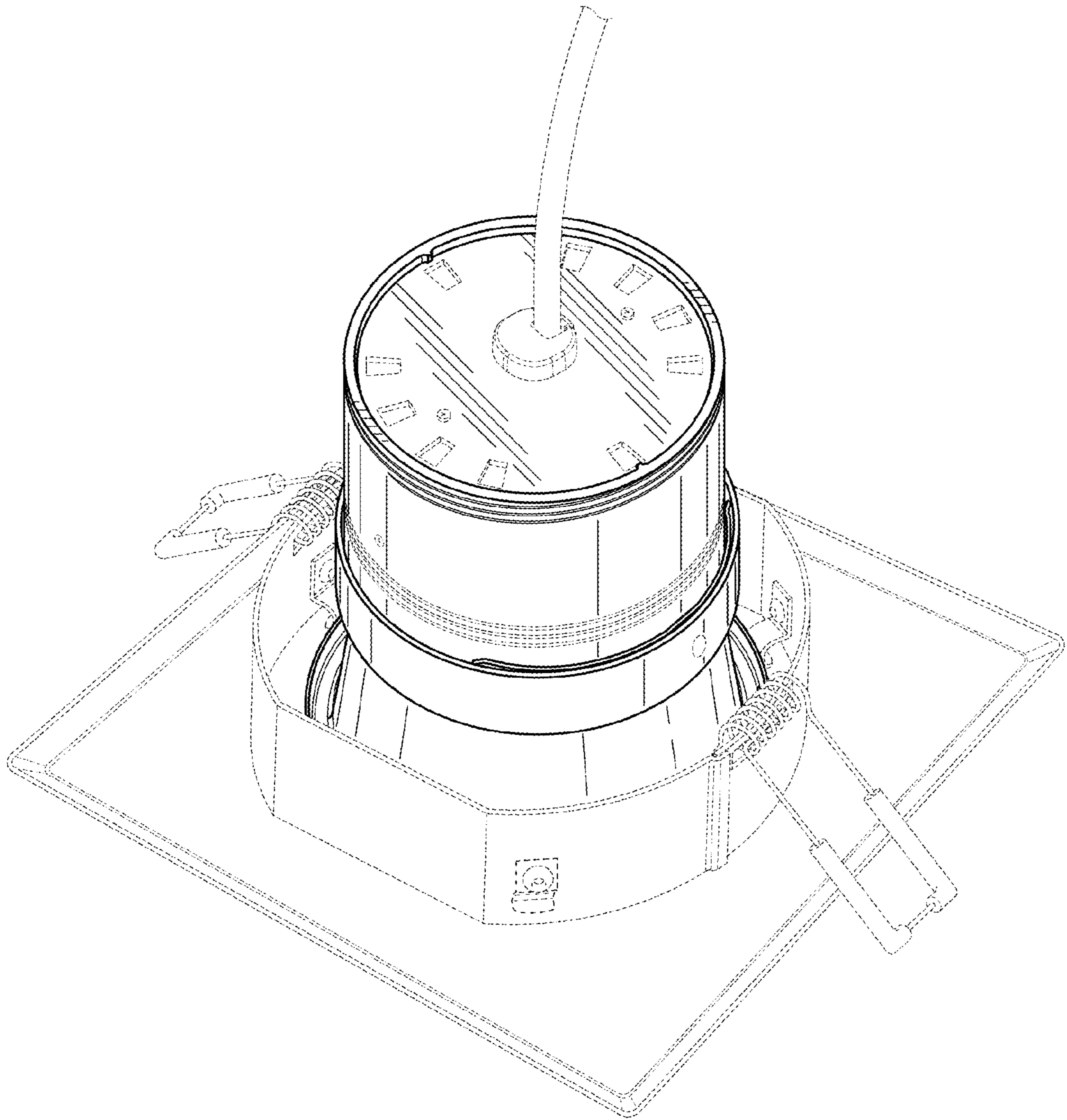


FIG. 9

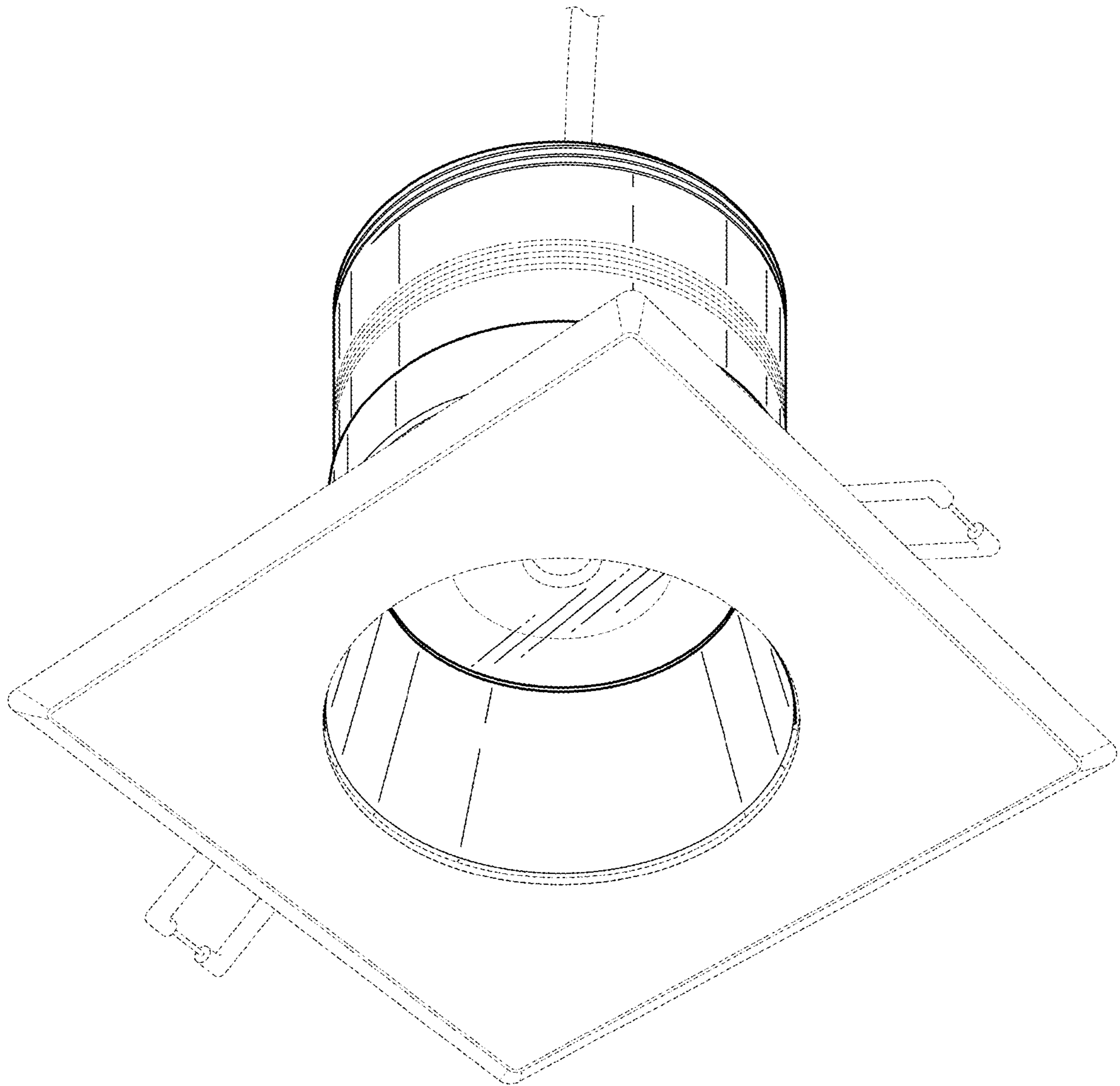


FIG. 10

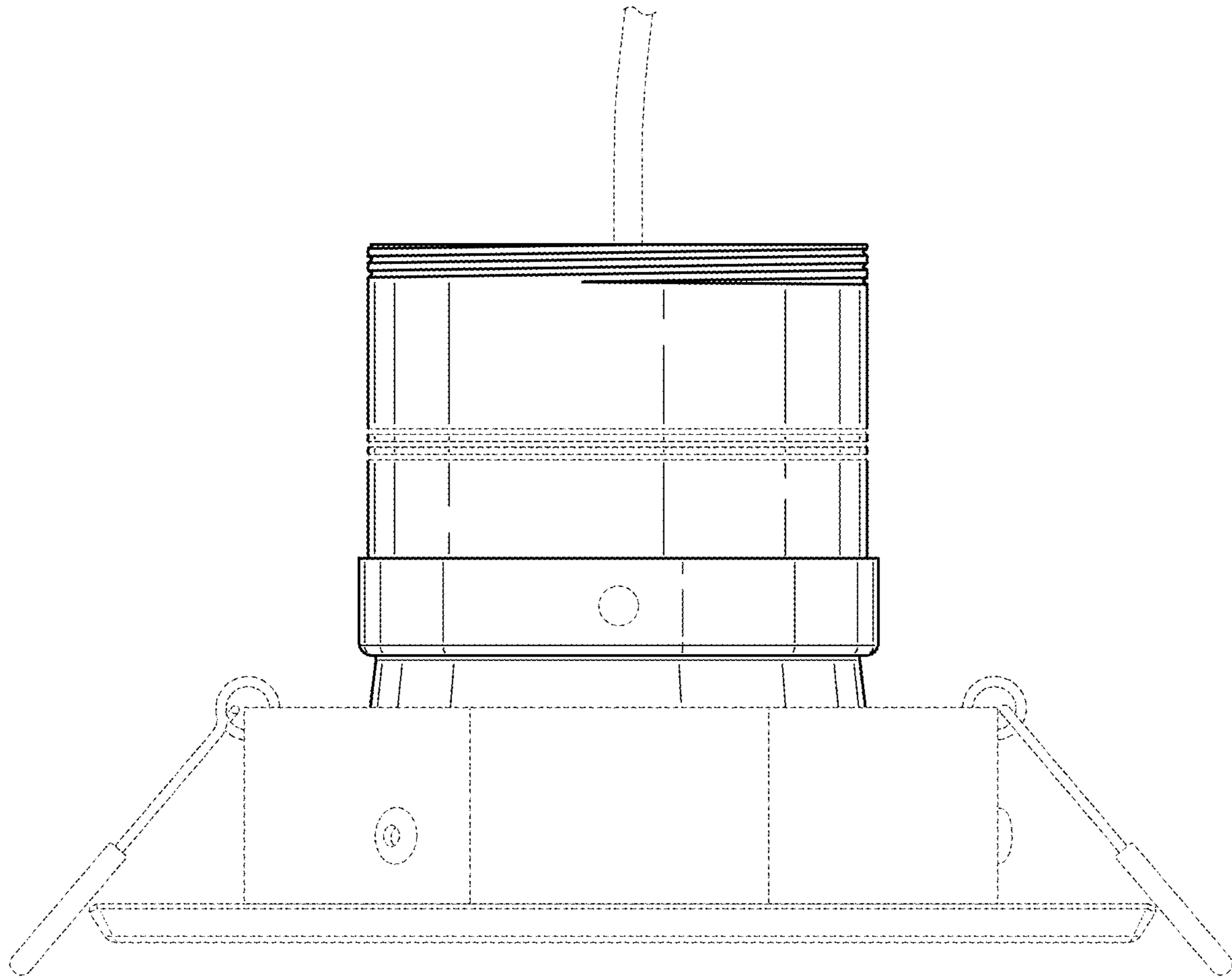


FIG. 11

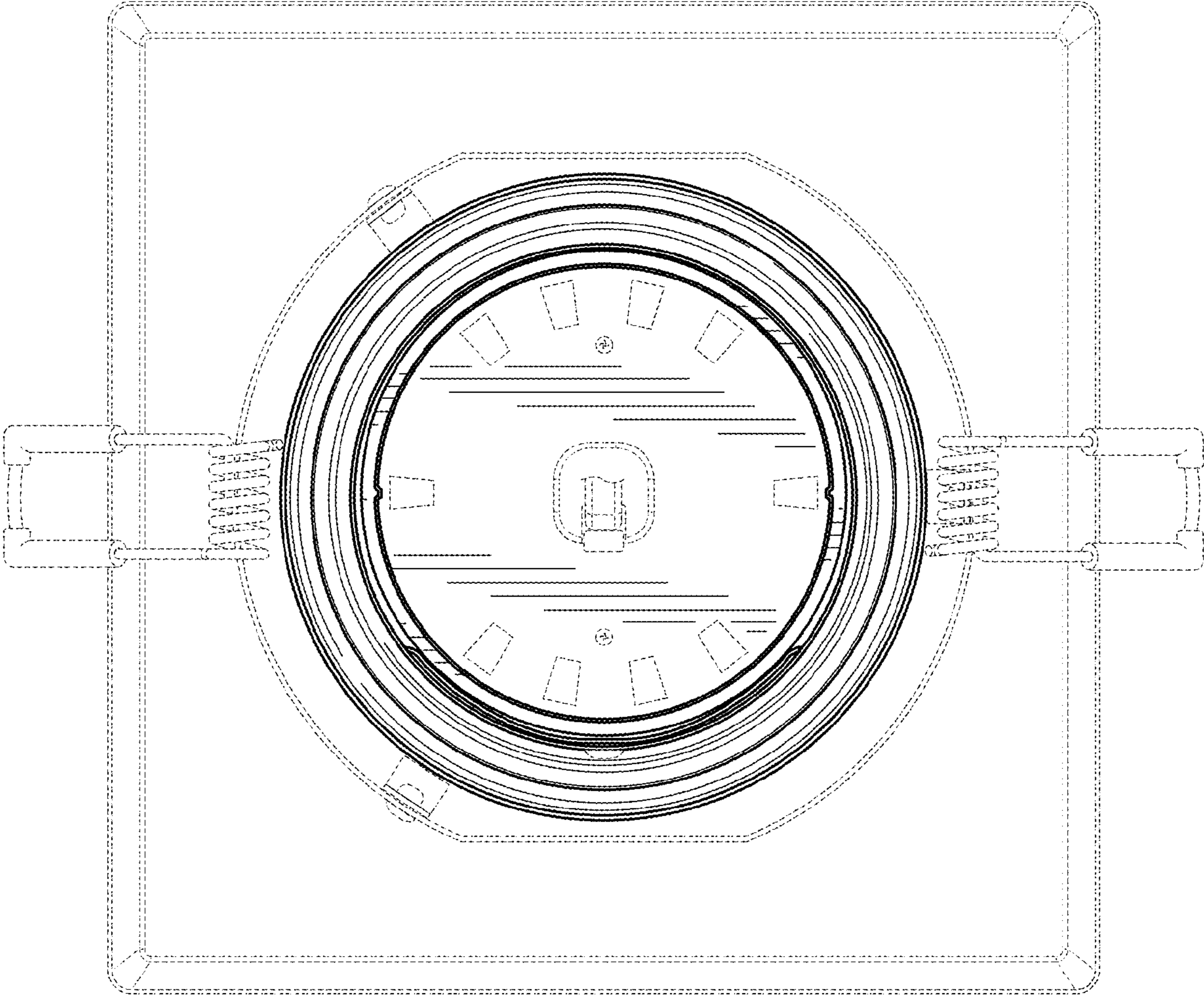


FIG. 12

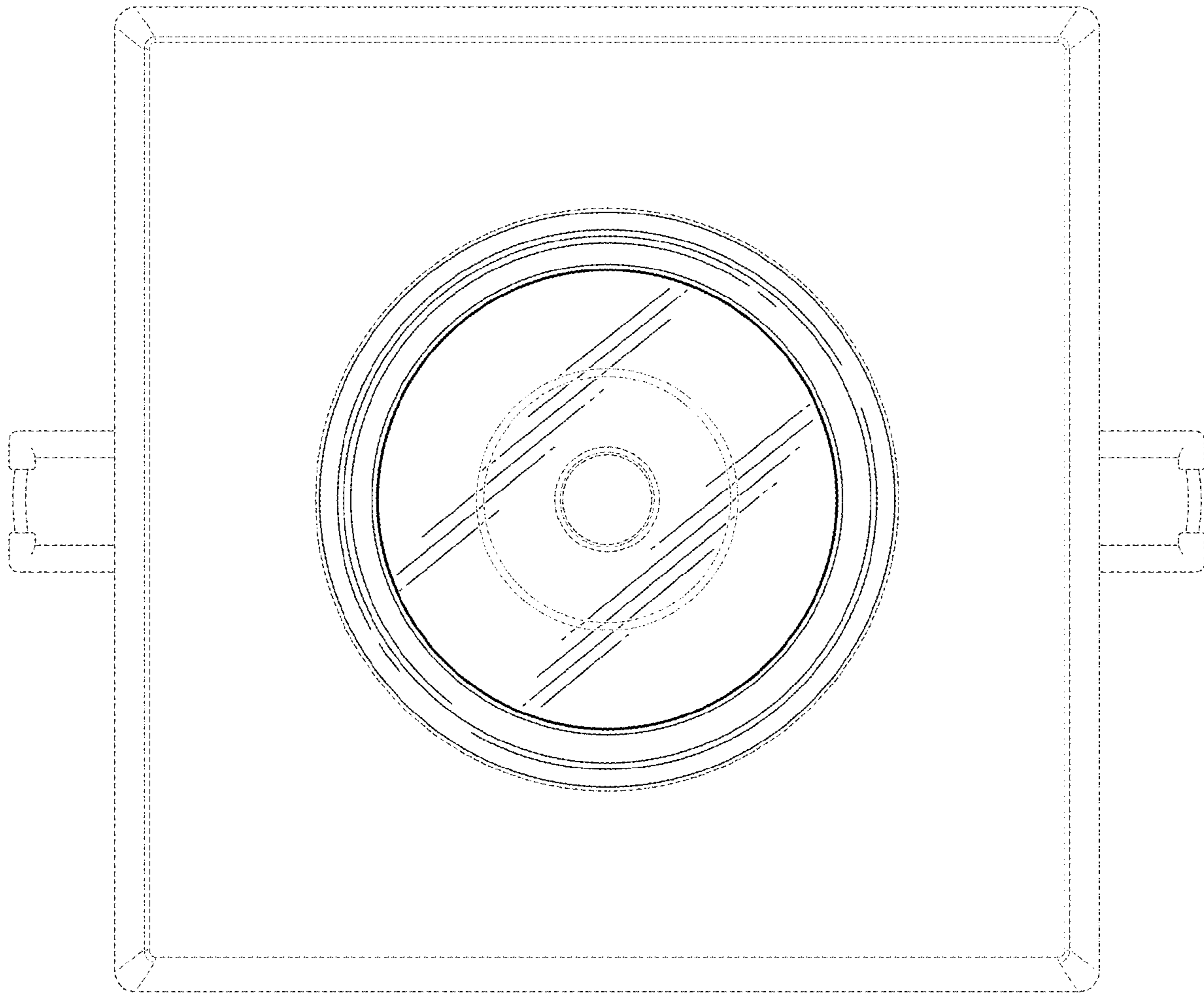


FIG. 13

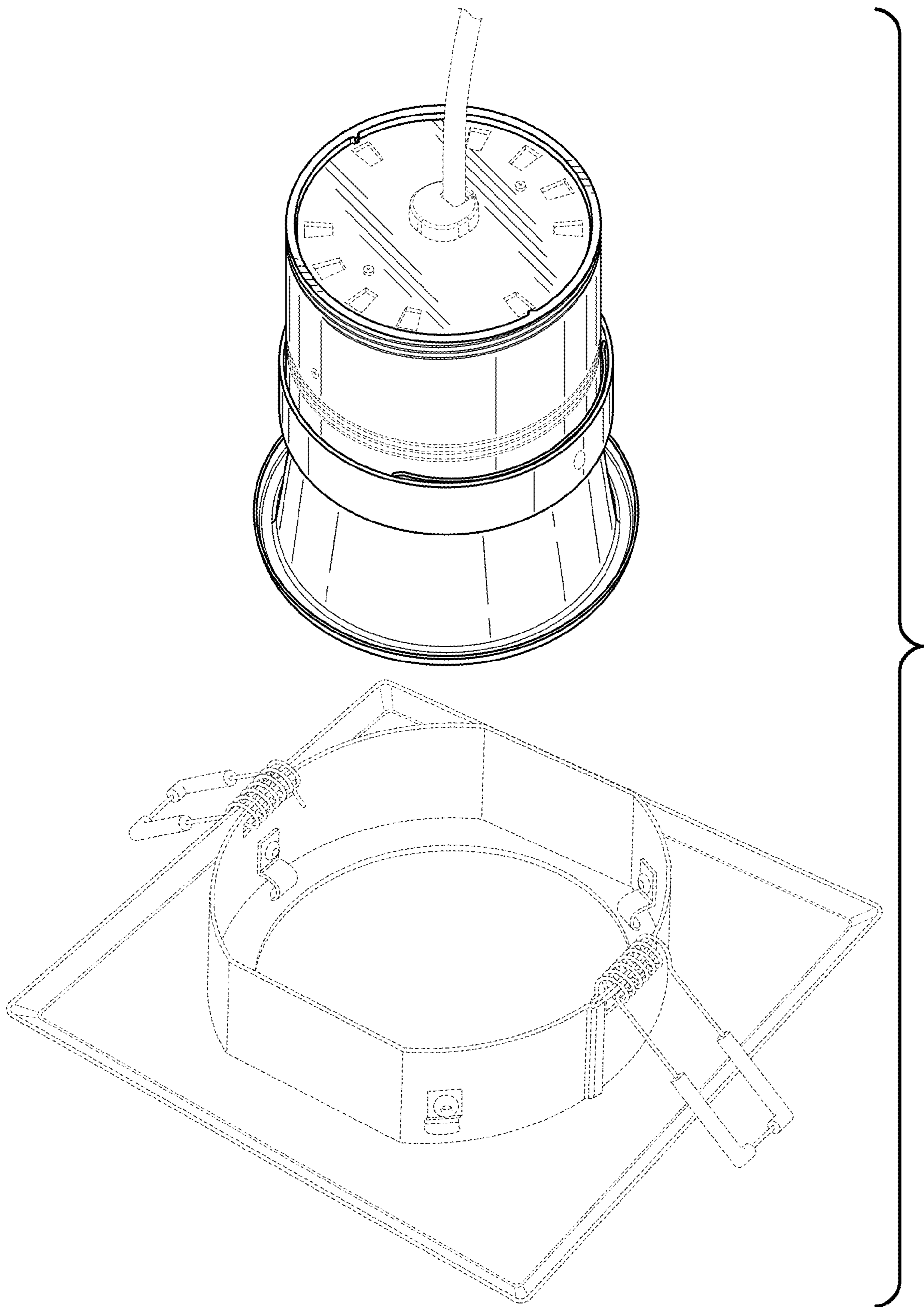


FIG. 14