



US00D939753S

(12) **United States Design Patent**
Chen

(10) **Patent No.:** **US D939,753 S**

(45) **Date of Patent:** **** Dec. 28, 2021**

(54) **SOLAR LIGHT**

(71) Applicant: **Zhujun Chen**, Guangdong (CN)

(72) Inventor: **Zhujun Chen**, Guangdong (CN)

(73) Assignee: **Shenzhen Gaodi Digital Co, Ltd.**,
Guangdong (CN)

(**) Term: **15 Years**

(21) Appl. No.: **29/728,638**

(22) Filed: **Mar. 20, 2020**

(51) **LOC (13) Cl.** **26-05**

(52) **U.S. Cl.**
USPC **D26/72; D16/203**

(58) **Field of Classification Search**
USPC D26/72, 85, 92, 51, 52; D10/106.6,
D10/106.8; D16/203
CPC F21S 8/03; F21S 8/033; F21S 8/036; F21S
8/037; F21S 9/022; F21S 9/024; F21S
9/03; F21S 9/035; F21S 9/037; F21W
2131/107; G08B 13/193

See application file for complete search history.

(56) **References Cited**

U.S. PATENT DOCUMENTS

D626,270 S	*	10/2010	Waldmann	D26/85
D639,984 S	*	6/2011	Stolte	D26/26
D728,144 S	*	4/2015	Recker	D26/85
D803,456 S	*	11/2017	Yang	D26/85
D829,359 S	*	9/2018	Zhang	D26/85
D829,955 S	*	10/2018	Recker	D26/85
D841,865 S	*	2/2019	Deng	D26/85

D868,339 S	*	11/2019	Recker	D26/85
D875,992 S	*	2/2020	Khubani	D26/85
D893,075 S	*	8/2020	Kong	D26/72
D895,881 S	*	9/2020	Mai	D26/85
D913,561 S	*	3/2021	Yang	D26/85
D922,469 S	*	6/2021	Sjogren	D16/203

OTHER PUBLICATIONS

Rexing Wireless Solar Powered Outdoor Security Camera System,
ASIN: B08P2HMG32, available at amazon.com Nov. 23, 2020.
(Year: 2020).*

X8—HD Wifi Solar Powered Flood Light Security Surveillance
Camera Model #: Soliur-X8 available at zetronix.com as early as
Oct. 27, 2020. (Year: 2020).*

* cited by examiner

Primary Examiner — Clare E Hefflin

(57) **CLAIM**

The ornamental design for a solar light, as shown and
described.

DESCRIPTION

FIG. 1 is a perspective view of a solar light showing my new
design;

FIG. 2 is a front elevational view thereof;

FIG. 3 is a rear elevational view thereof;

FIG. 4 is a left side elevational view thereof;

FIG. 5 is a right side elevational view thereof;

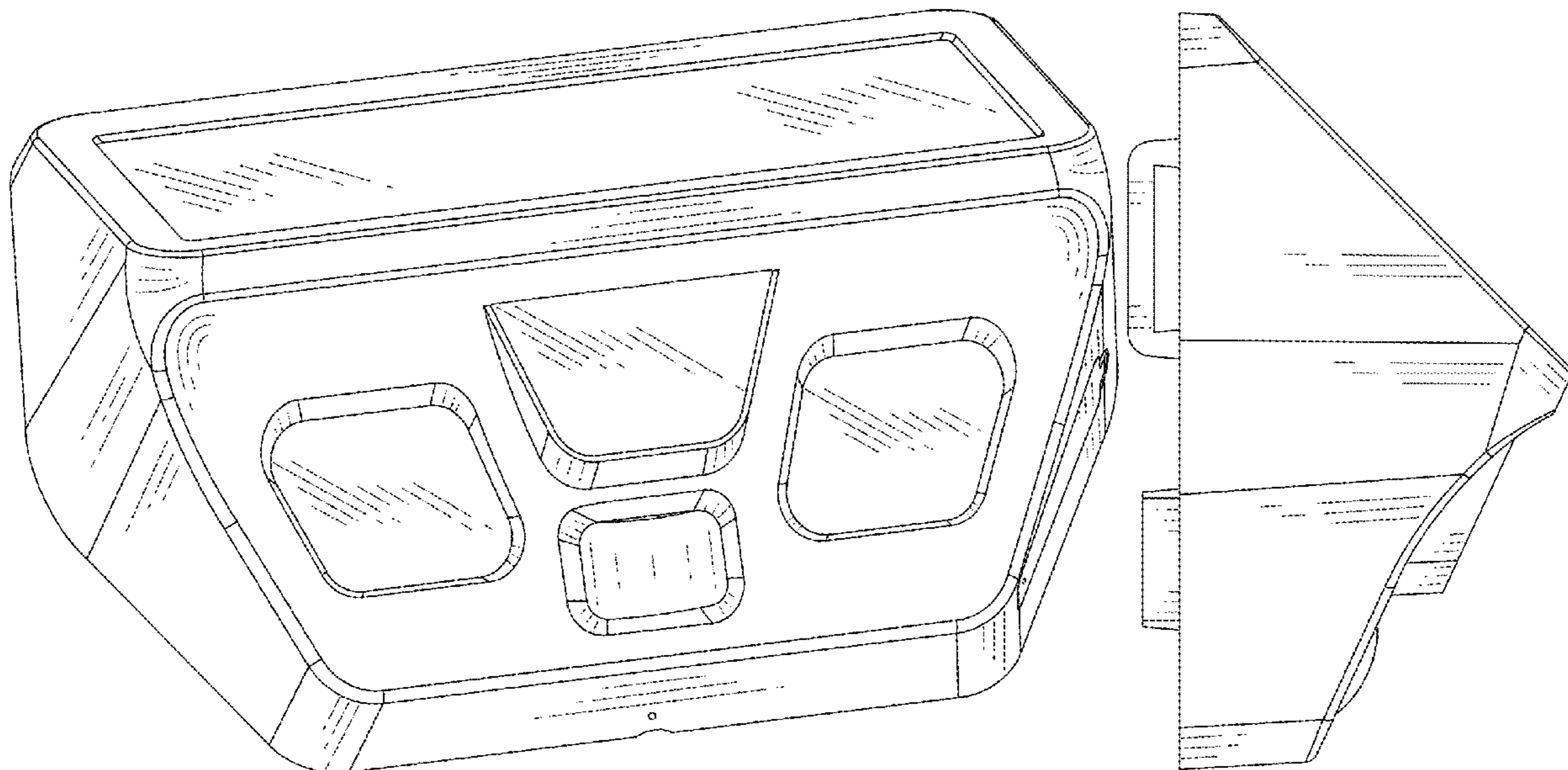
FIG. 6 is a top plan view thereof;

FIG. 7 is a bottom plan view thereof; and,

FIG. 8 is a rear side perspective view thereof.

The broken lines shown in FIGS. 3 and 8 depict portions of
the solar light that form no part of the claimed design.

1 Claim, 8 Drawing Sheets



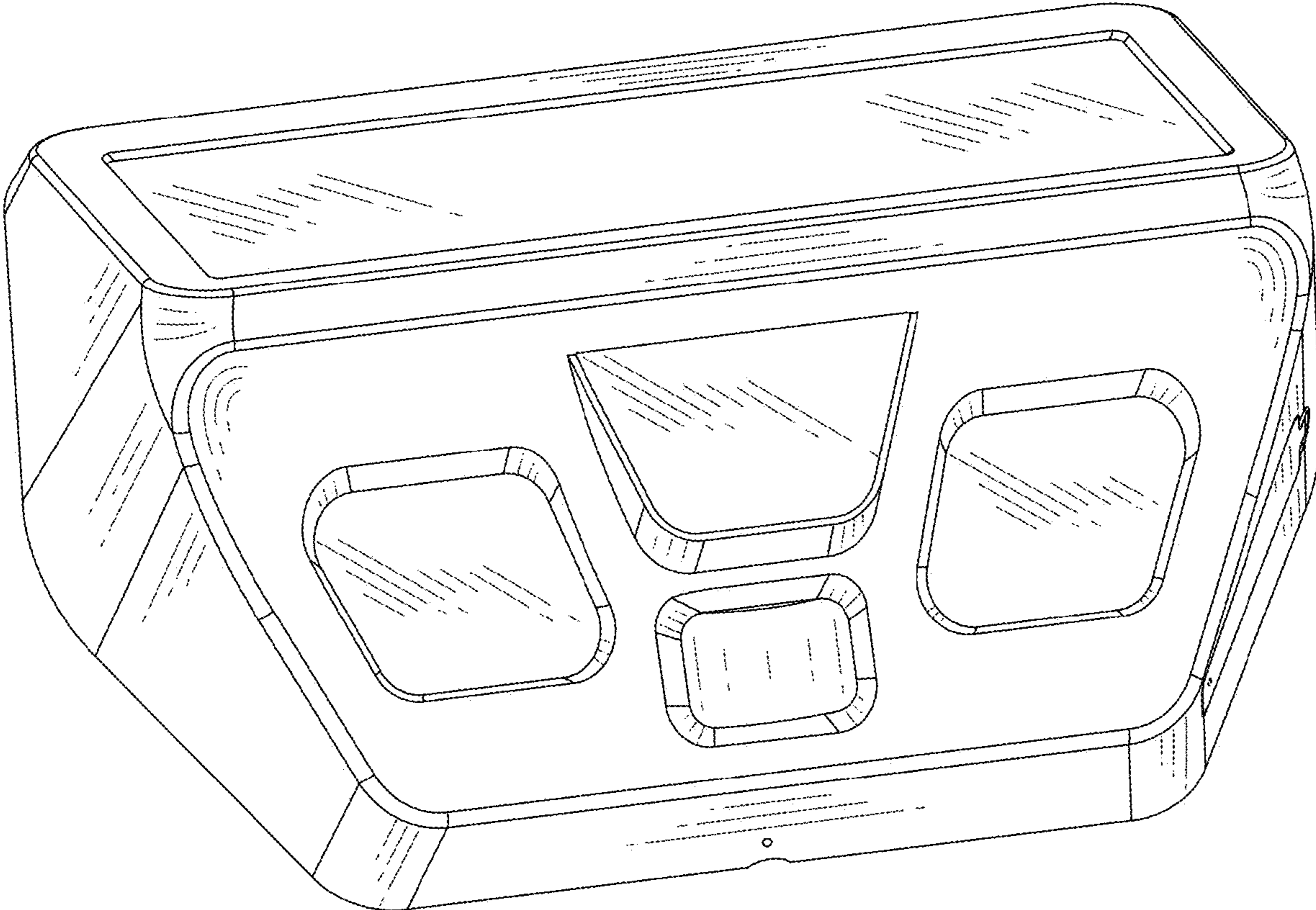


FIG. 1

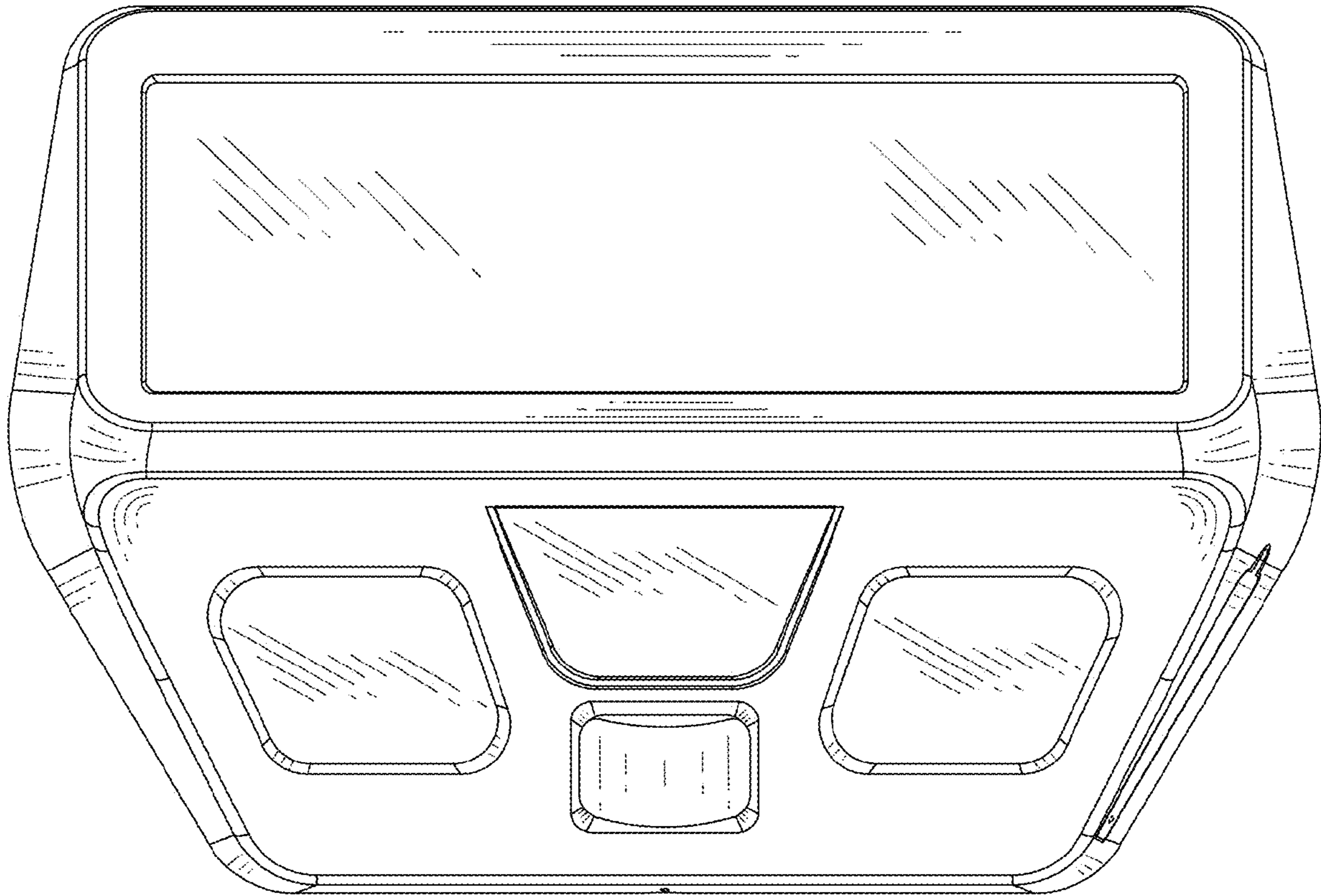


FIG. 2

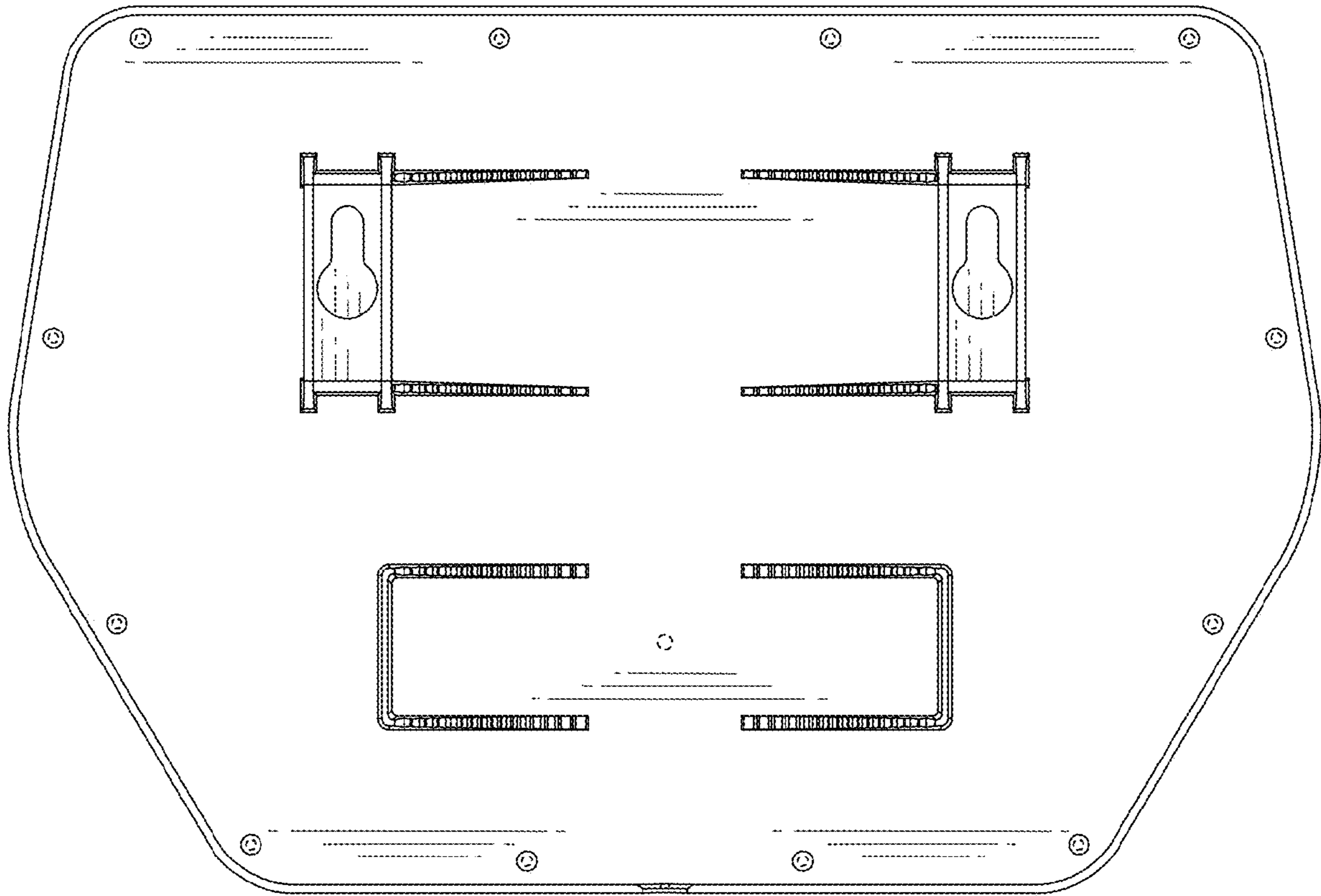


FIG. 3

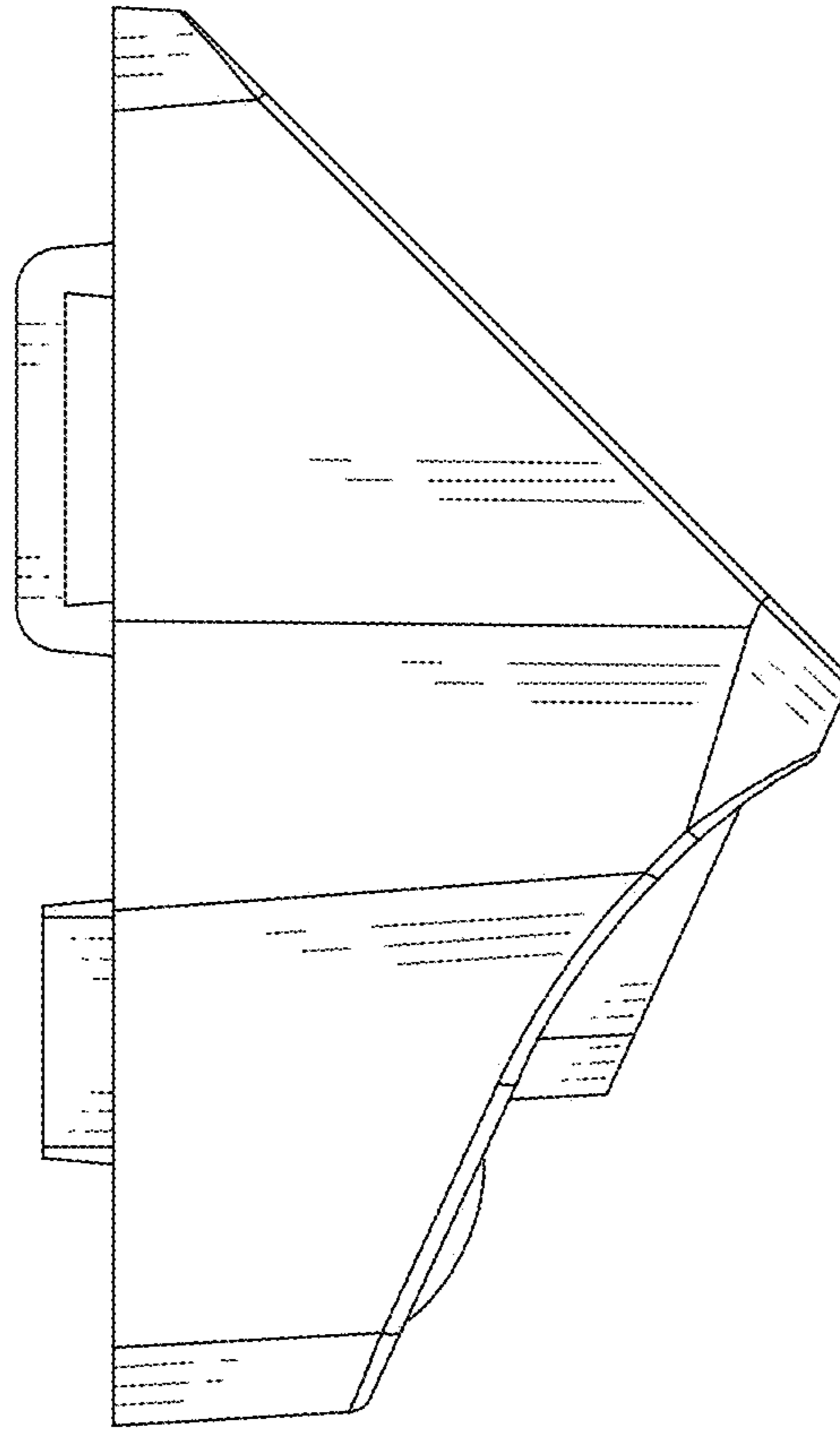


FIG. 4

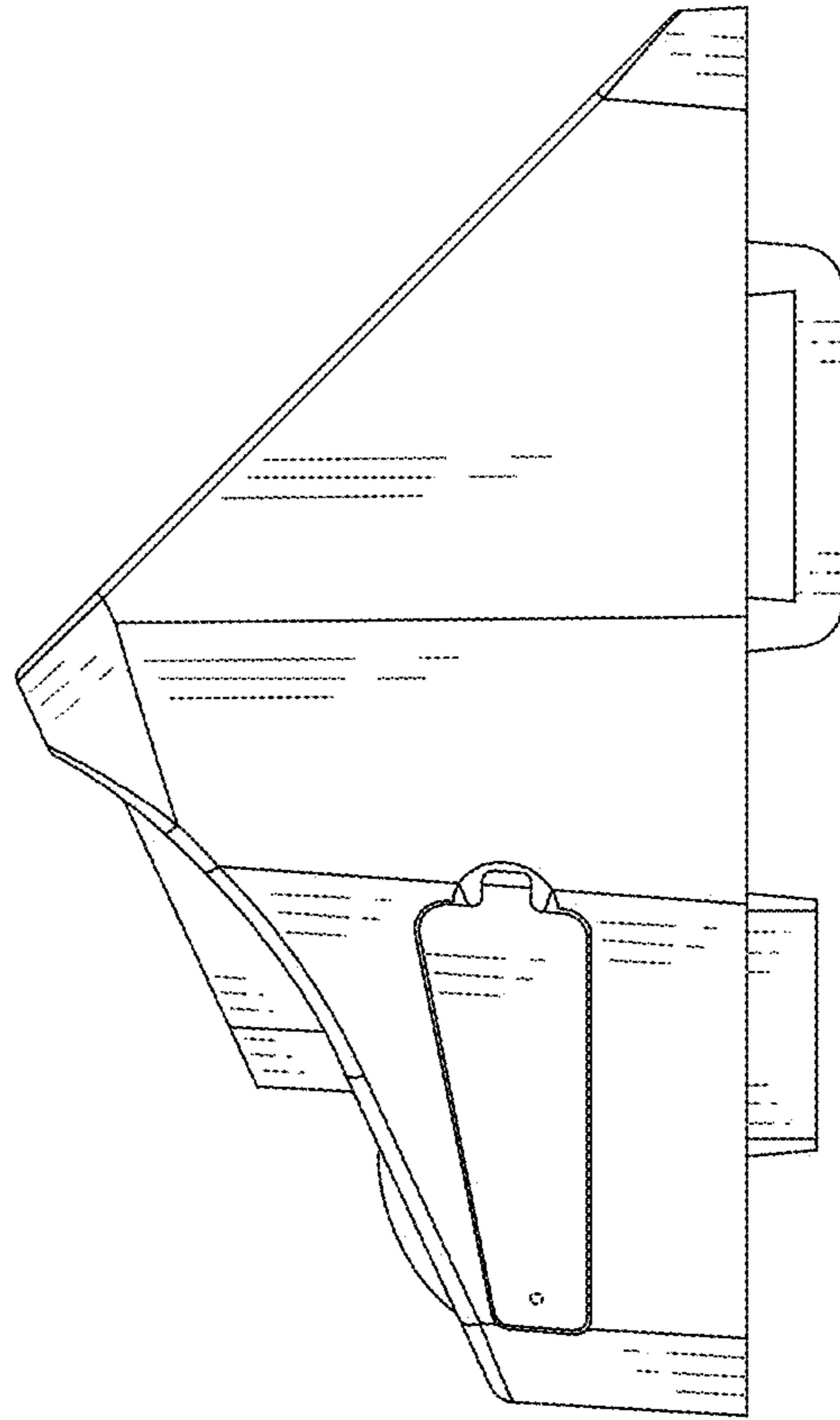


FIG. 5

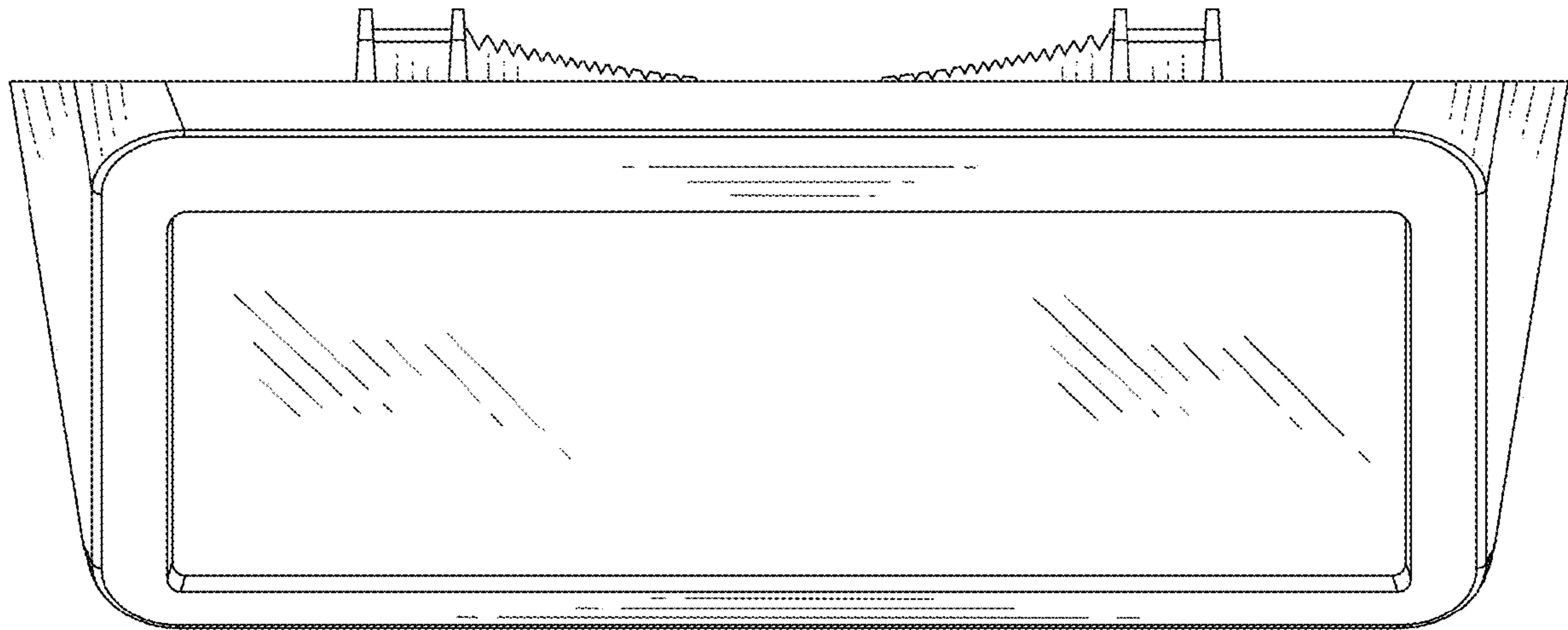


FIG. 6

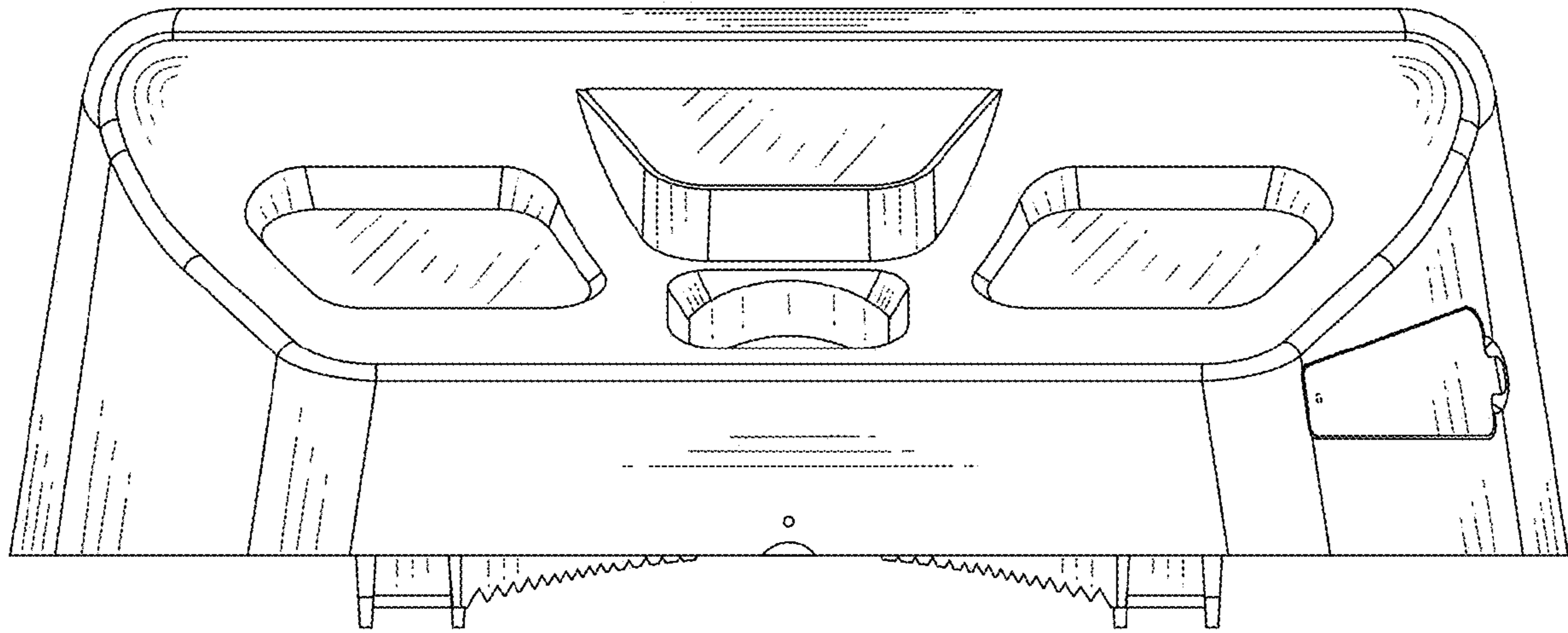


FIG. 7

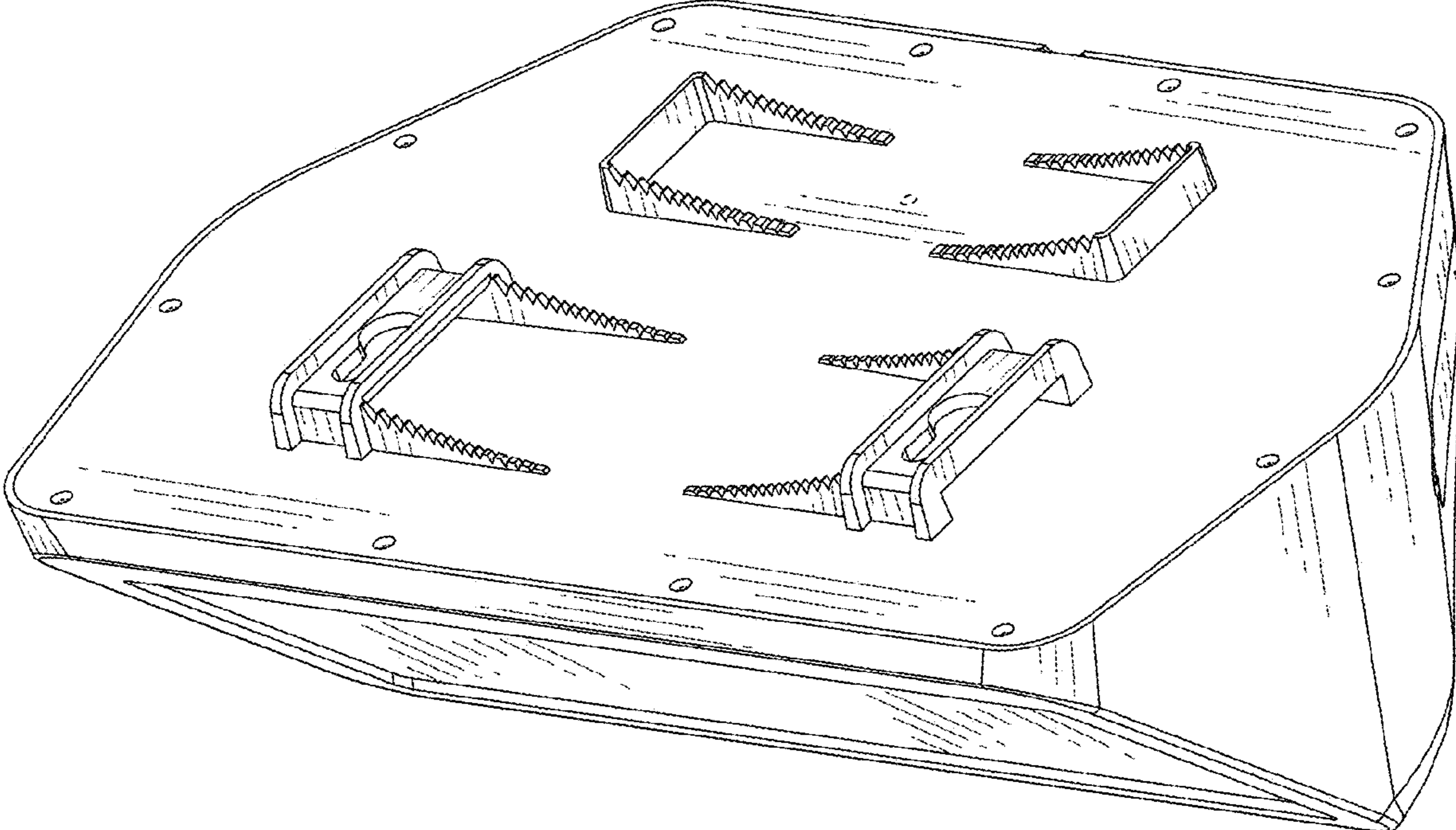


FIG. 8