

US00D939751S

(12) **United States Design Patent**
Shikata

(10) **Patent No.:** **US D939,751 S**

(45) **Date of Patent:** **** Dec. 28, 2021**

(54) **FLOODLIGHT**

(71) Applicant: **STANLEY ELECTRIC CO., LTD.**,
Tokyo (JP)

(72) Inventor: **Satoshi Shikata**, Tokyo (JP)

(73) Assignee: **STANLEY ELECTRIC CO., LTD.**,
Tokyo (JP)

(**) Term: **15 Years**

(21) Appl. No.: **35/509,795**

(22) Filed: **Jan. 17, 2020**

(80) **Hague Agreement Data**

Int. Filing Date: **Jan. 17, 2020**

Int. Reg. No.: **DM/207710**

Int. Reg. Date: **Jan. 17, 2020**

Int. Reg. Pub. Date: **Jul. 17, 2020**

(30) **Foreign Application Priority Data**

Jul. 30, 2019 (JP) 2019-016990

Jul. 30, 2019 (JP) 2019-016991

Jul. 30, 2019 (JP) 2019-016992

(51) **LOC (13) Cl.** **26-05**

(52) **U.S. Cl.**
USPC **D26/63**

(58) **Field of Classification Search**
USPC D26/61, 63, 65, 106-112
(Continued)

(56) **References Cited**

U.S. PATENT DOCUMENTS

D287,645 S * 1/1987 Ewing D26/63

D290,522 S * 6/1987 de Vos D26/63

(Continued)

OTHER PUBLICATIONS

Stanley Electric Co., Ltd., "Landscape Lighting, LED Floodlight with Ultra Narrow Light Angle"(Product Catalog), Earlier than Nov. 2016, pp. 1-5.

Primary Examiner — Natasha Vujcic

(74) *Attorney, Agent, or Firm* — Kenealy Vaidya LLP

(57) **CLAIM**

The ornamental design for a floodlight, as shown and described.

DESCRIPTION

1.-3. Floodlight

1.1 : Perspective

1.2 : Perspective

1.3 : Front

1.4 : Back

1.5 : Left

1.6 : Right

1.7 : Top

1.8 : Bottom

1.9 : Reference

2.1 : Perspective

2.2 : Perspective

2.3 : Front

2.4 : Back

2.5 : Left

2.6 : Right

2.7 : Top

2.8 : Bottom

2.9 : Reference

3.1 : Perspective

3.2 : Perspective

3.3 : Front

3.4 : Back

3.5 : Left

3.6 : Right

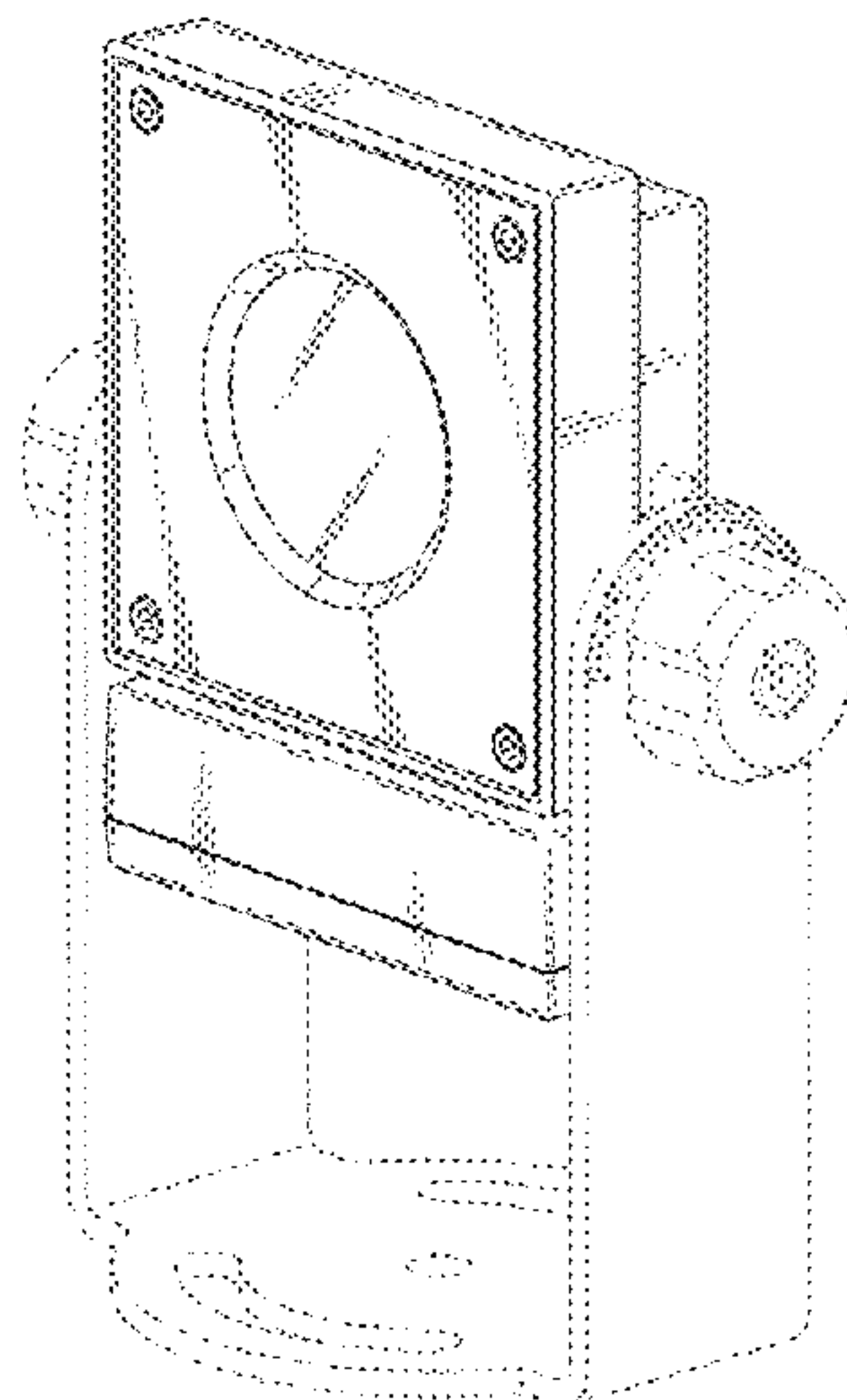
3.7 : Top

3.8 : Bottom

3.9 : Reference

The parts shown by means of broken lines in the reproductions are not part of the claimed designs; the oblique line shading represents transparency; reproductions 1.9, 2.9 and 3.9 show an alternative position of each design.

1 Claim, 27 Drawing Sheets



(58) **Field of Classification Search**

CPC F21V 21/14; F21V 15/01; F21V 14/02;
F21V 21/30; F21V 21/00; F21V 14/00;
F21S 8/00; F21S 8/024; F21S 8/026;
F21S 8/031; F21S 8/033; F21S
8/035-037; F21S 8/04; F21S 8/043; F21S
8/063

See application file for complete search history.

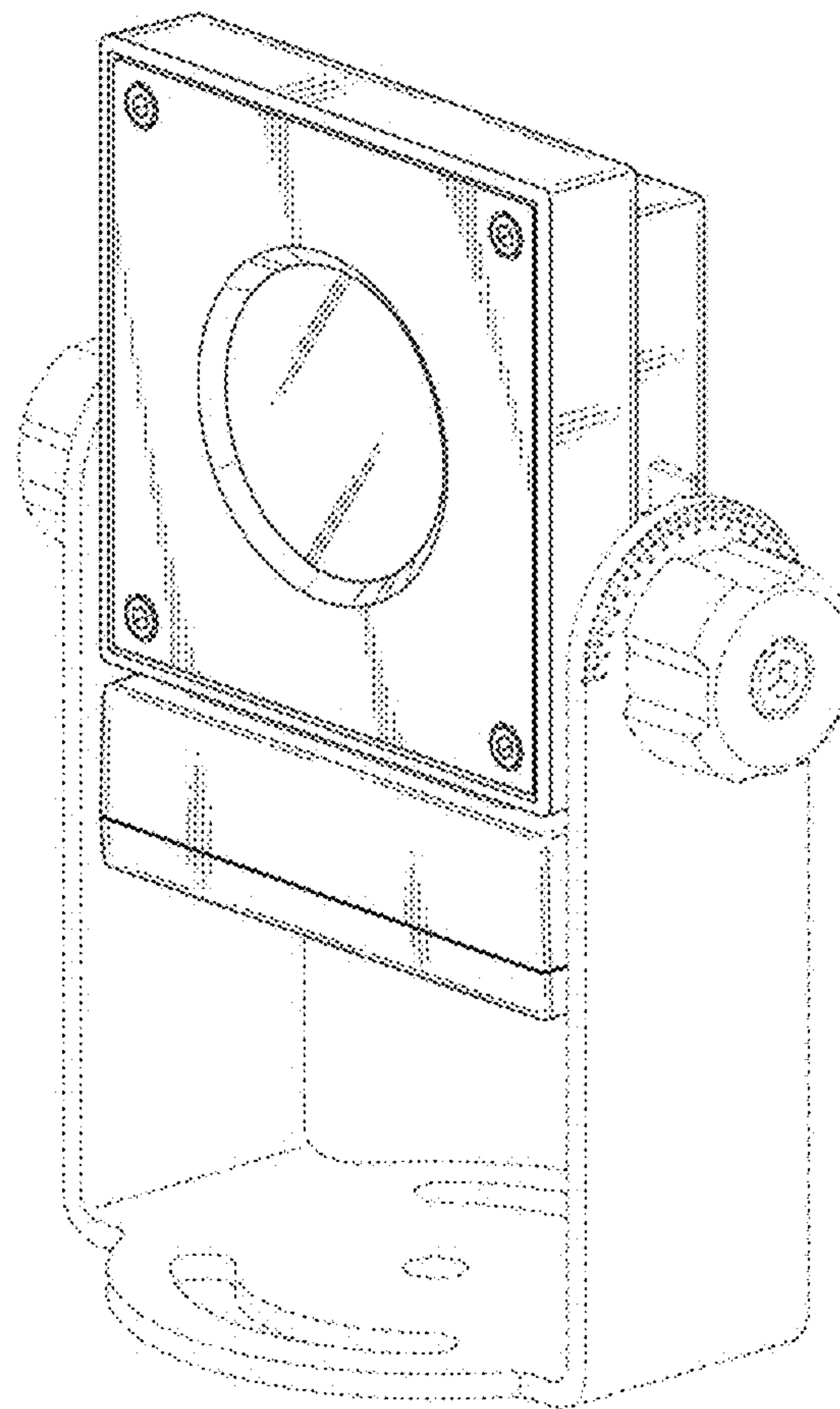
(56) **References Cited**

U.S. PATENT DOCUMENTS

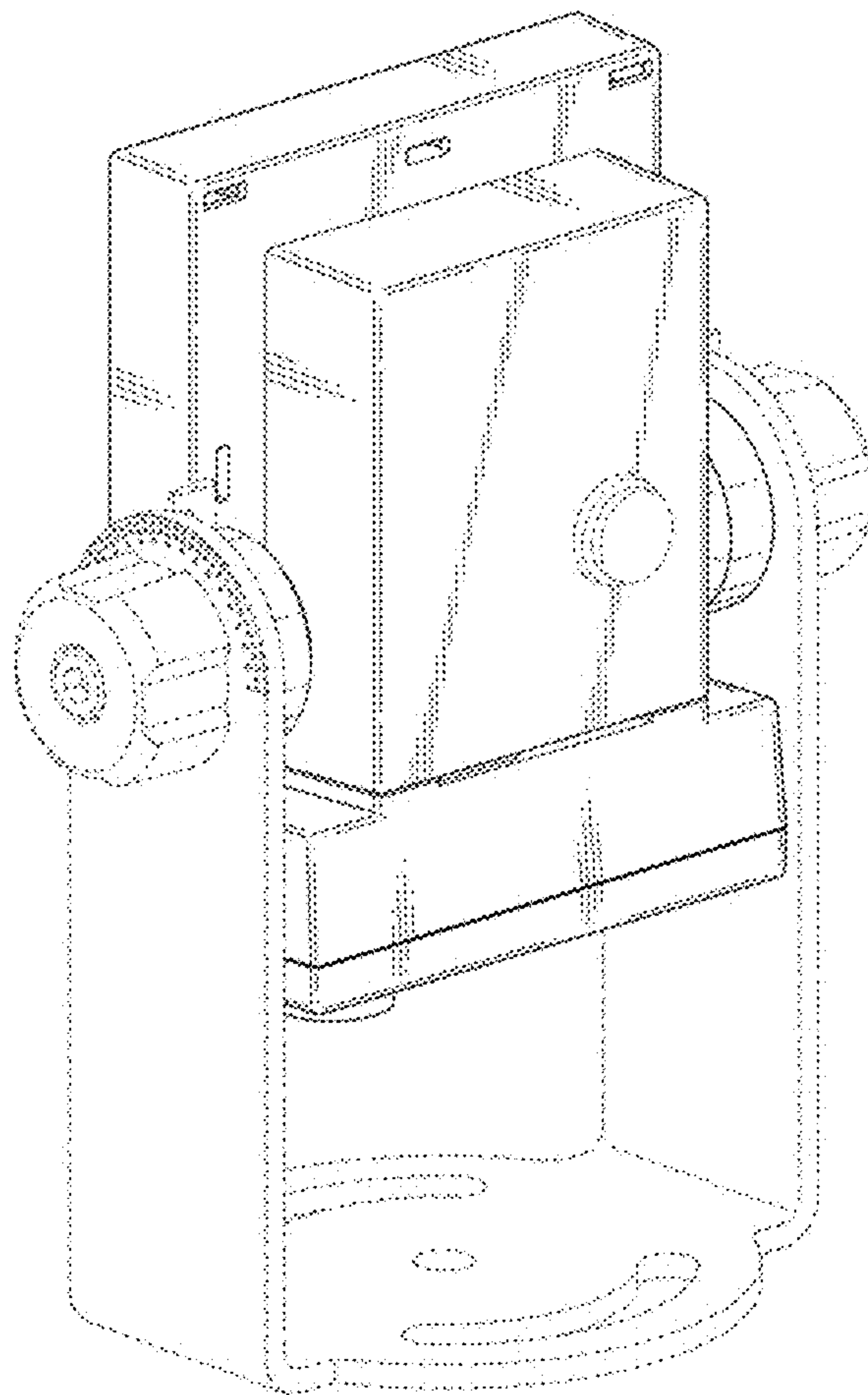
| | | | | | | |
|----------|---|---|---------|-------------|-------|---------|
| D597,693 | S | * | 8/2009 | Kauffman | | D26/63 |
| D699,877 | S | * | 2/2014 | Song | | D26/63 |
| D712,581 | S | * | 9/2014 | Scarlata | | D26/65 |
| D713,595 | S | * | 9/2014 | Lechtenberg | | D26/118 |
| D784,584 | S | * | 4/2017 | Philips | | D26/63 |
| D799,094 | S | * | 10/2017 | Li | | D26/63 |
| D799,729 | S | * | 10/2017 | Zhong | | D26/63 |
| D803,449 | S | * | 11/2017 | Xu | | D26/63 |
| D841,848 | S | * | 2/2019 | Poffler | | D26/37 |
| D842,520 | S | * | 3/2019 | Brandrup | | D26/63 |
| D855,855 | S | * | 8/2019 | Wang | | D26/63 |
| D887,609 | S | * | 6/2020 | Wu | | D26/63 |
| D898,969 | S | * | 10/2020 | Chen | | D26/63 |
| D903,175 | S | * | 11/2020 | Lei | | D26/63 |
| D907,831 | S | * | 1/2021 | Gu | | D26/63 |
| D919,151 | S | * | 5/2021 | Wu | | D26/63 |

* cited by examiner

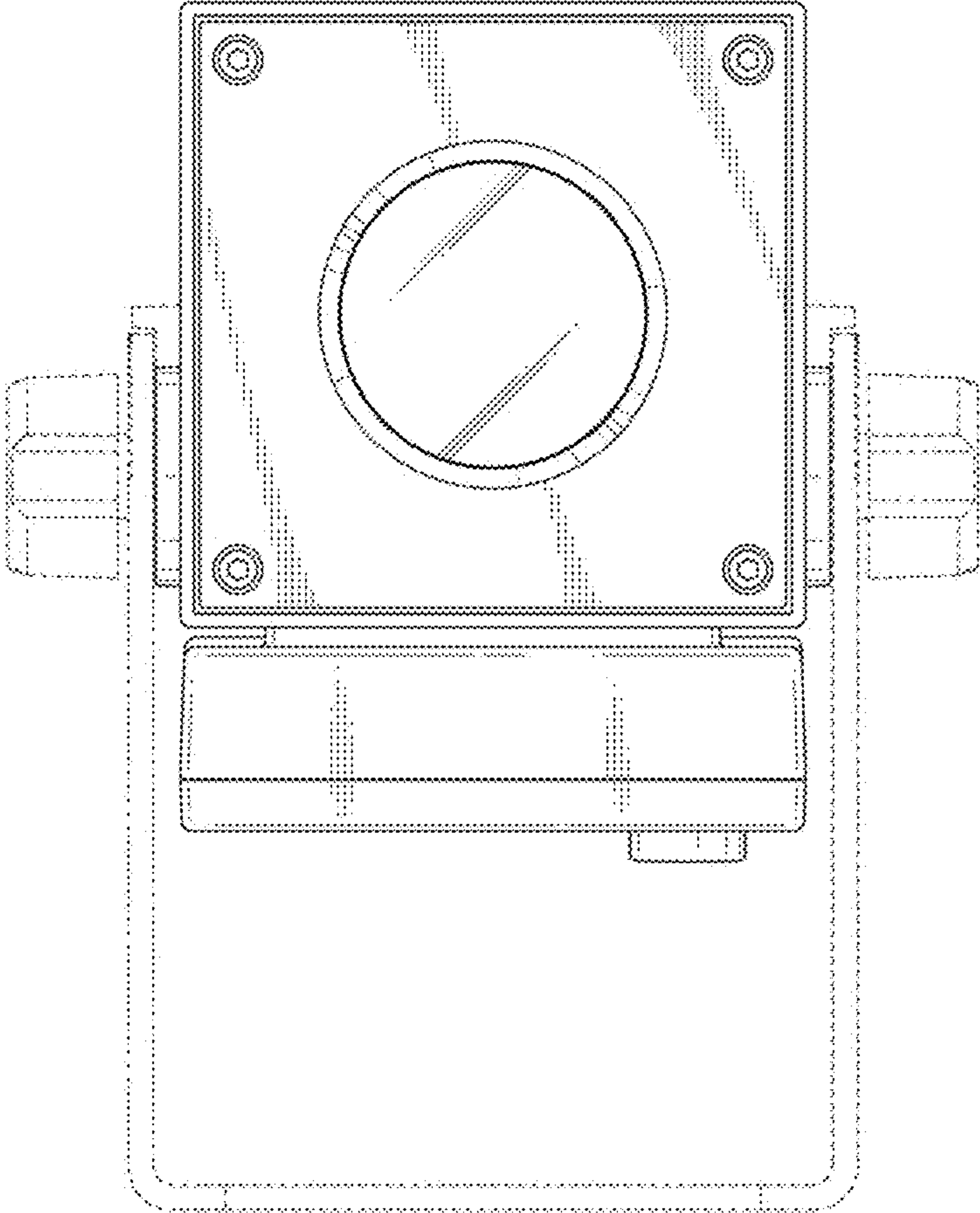
1.1



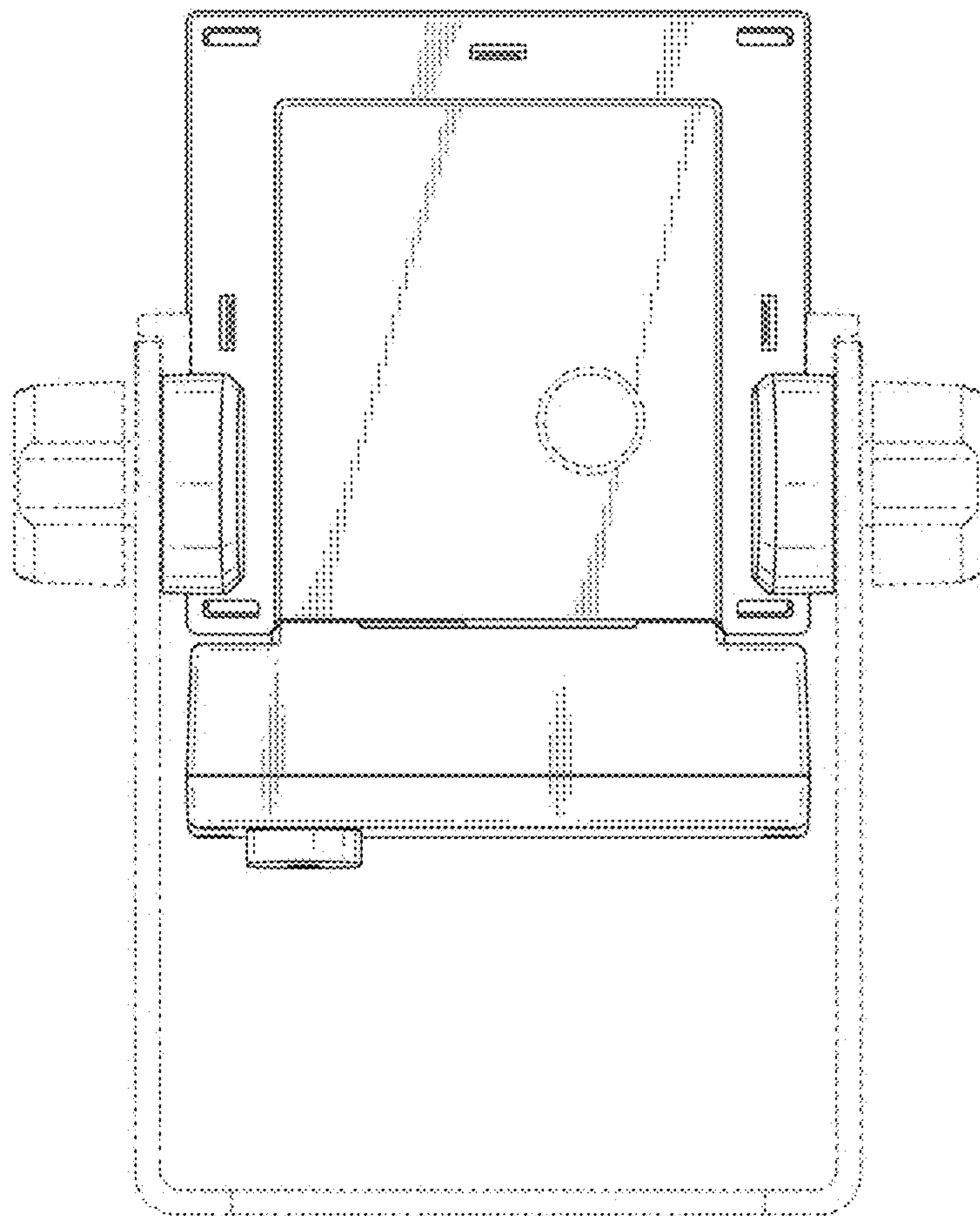
1.2



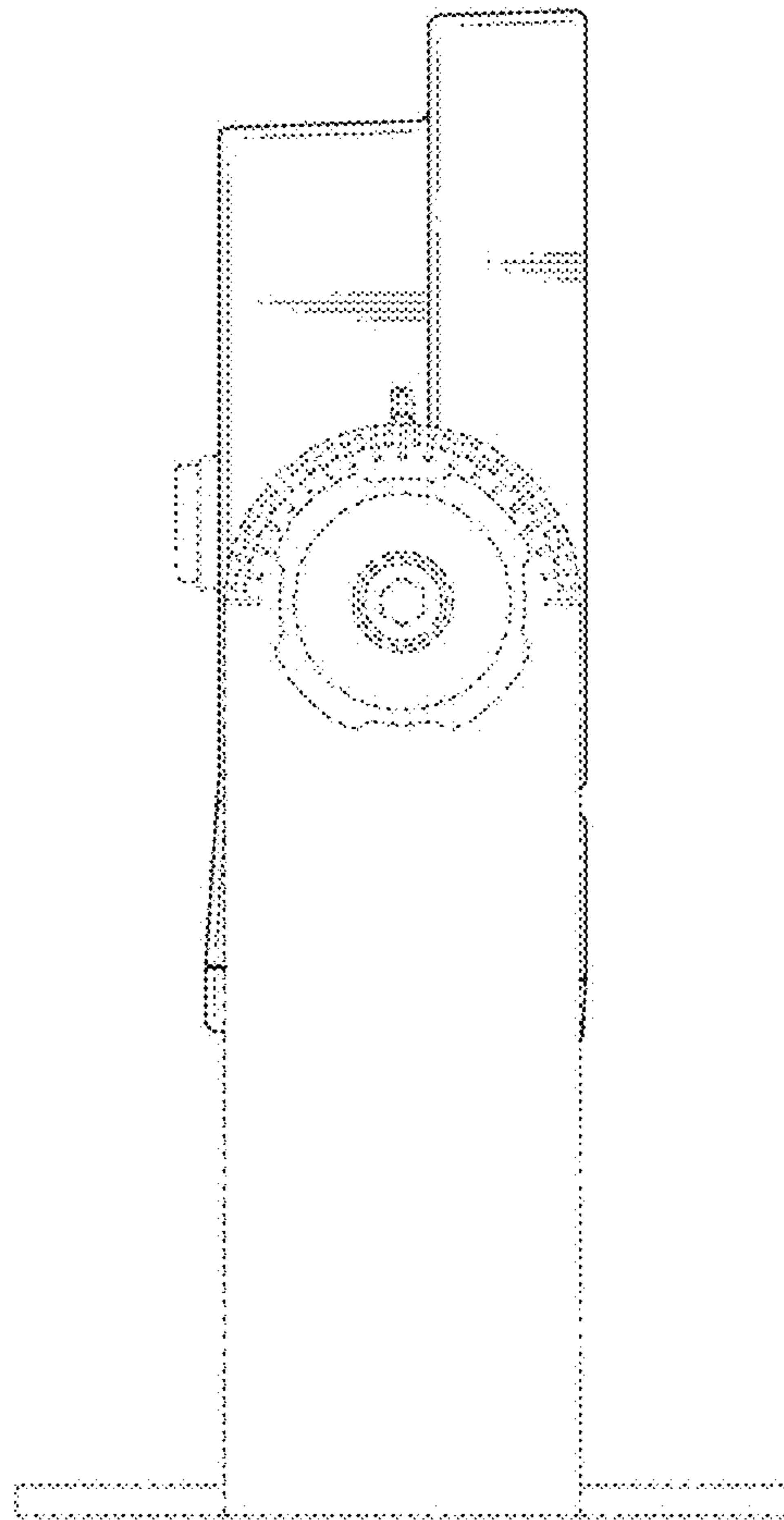
1.3



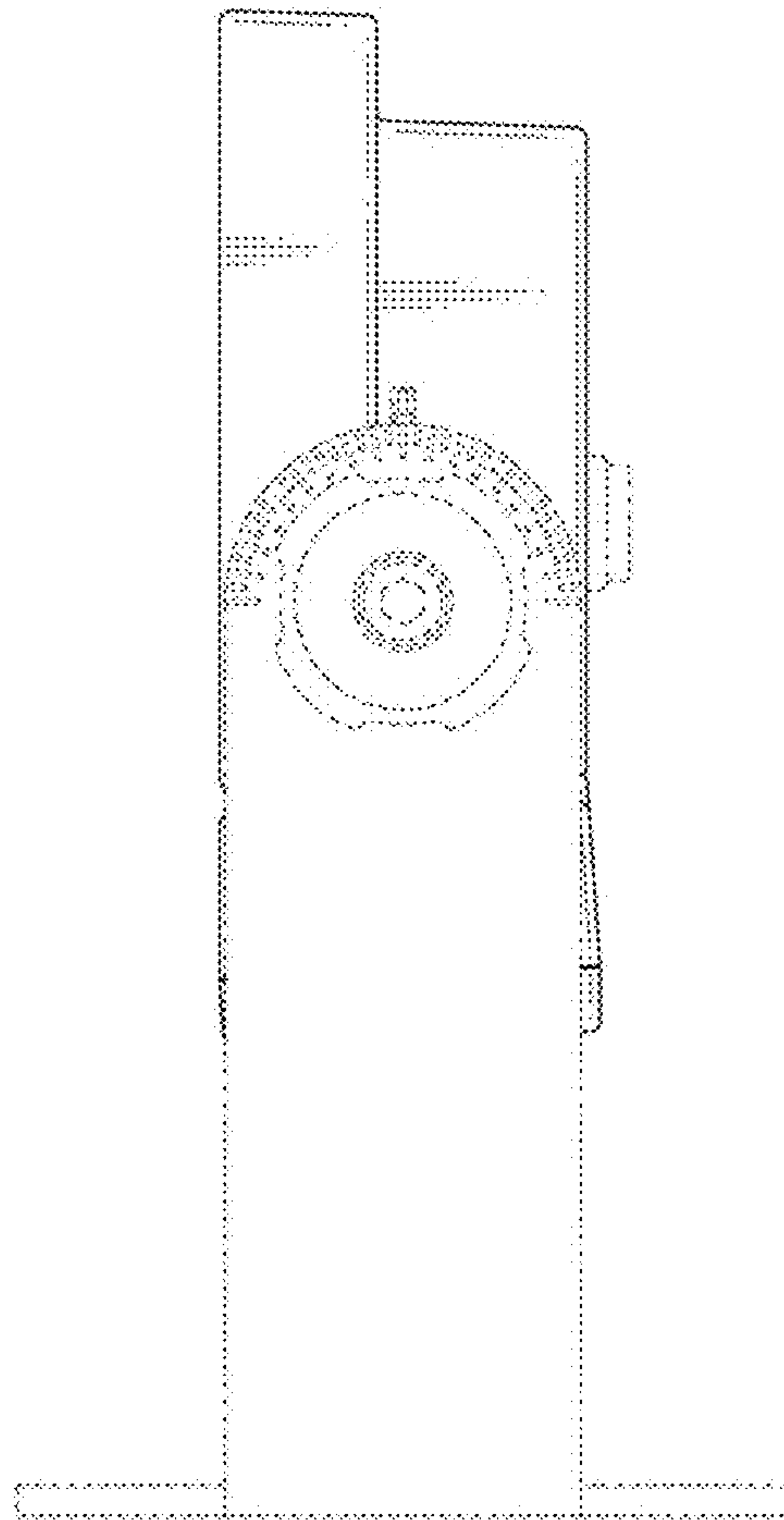
1.4



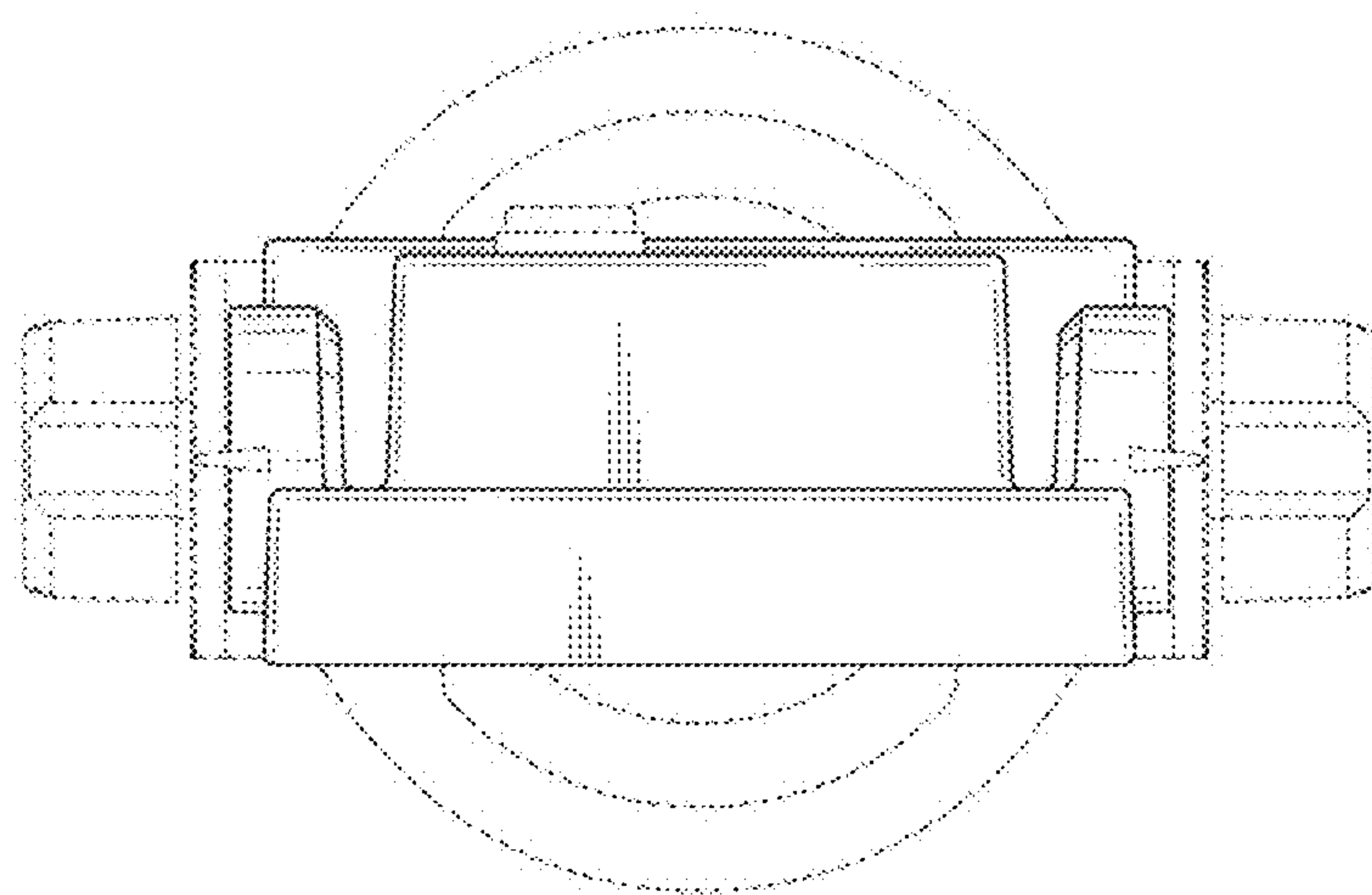
1.5



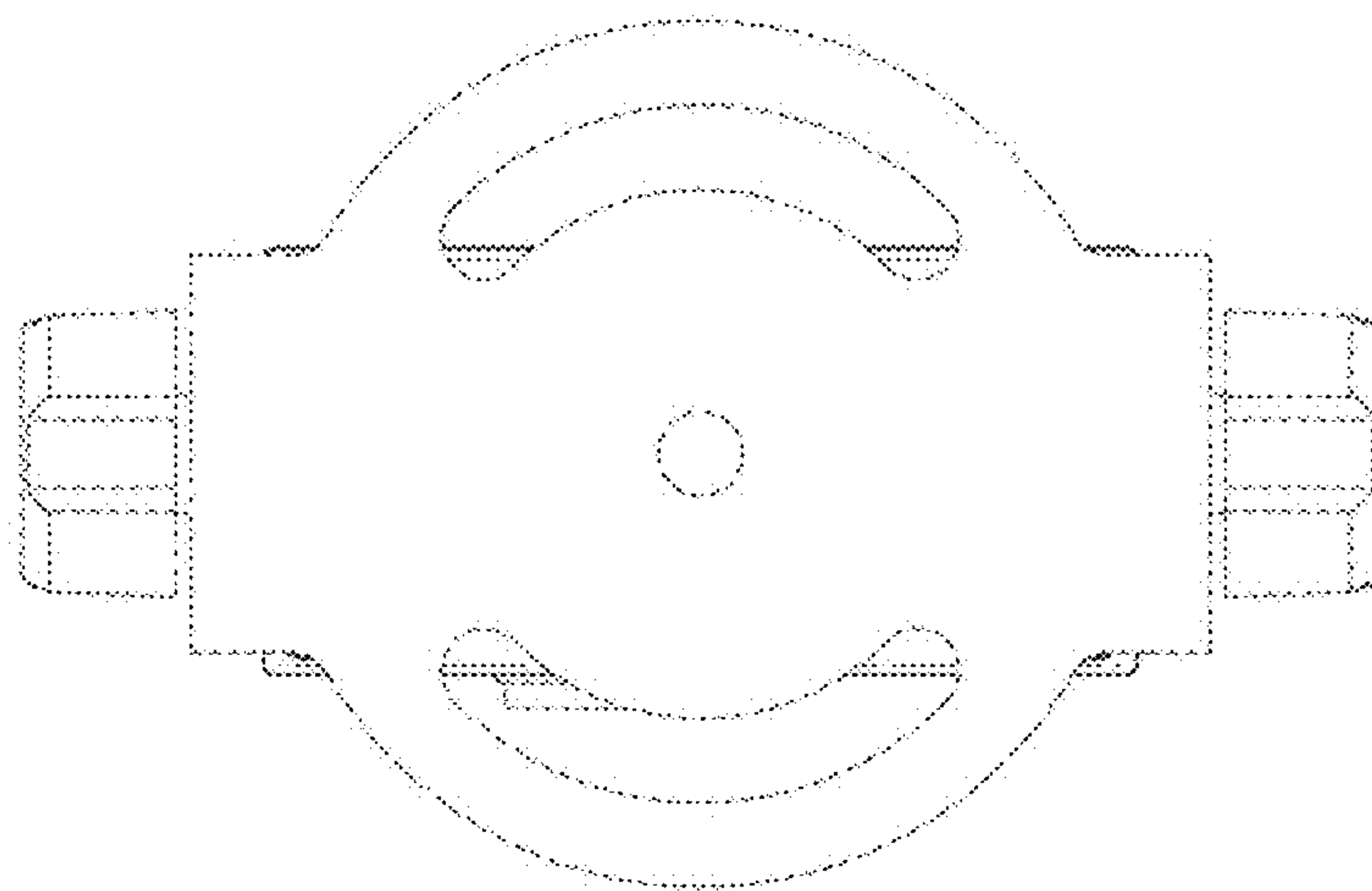
1.6



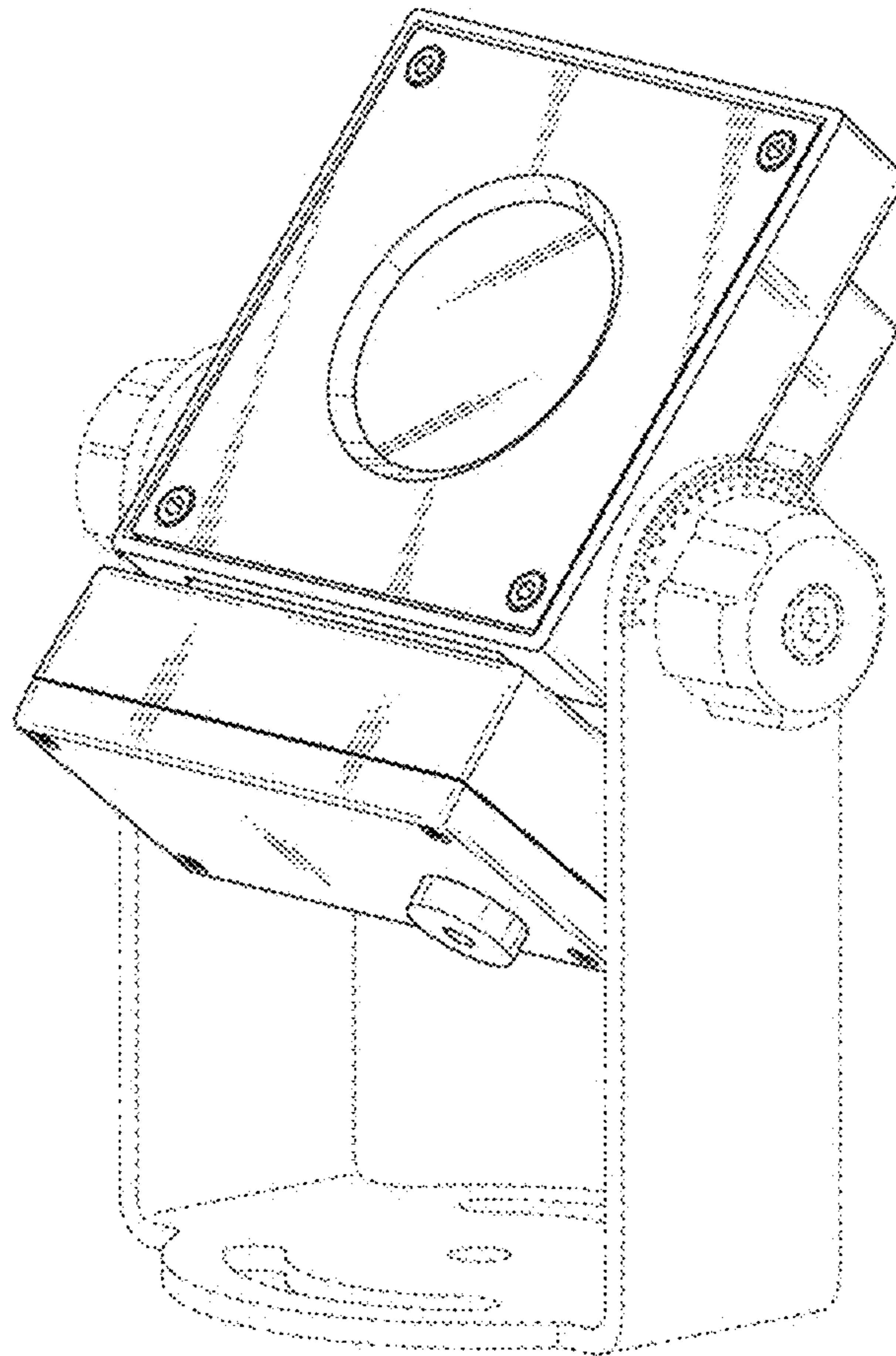
1.7



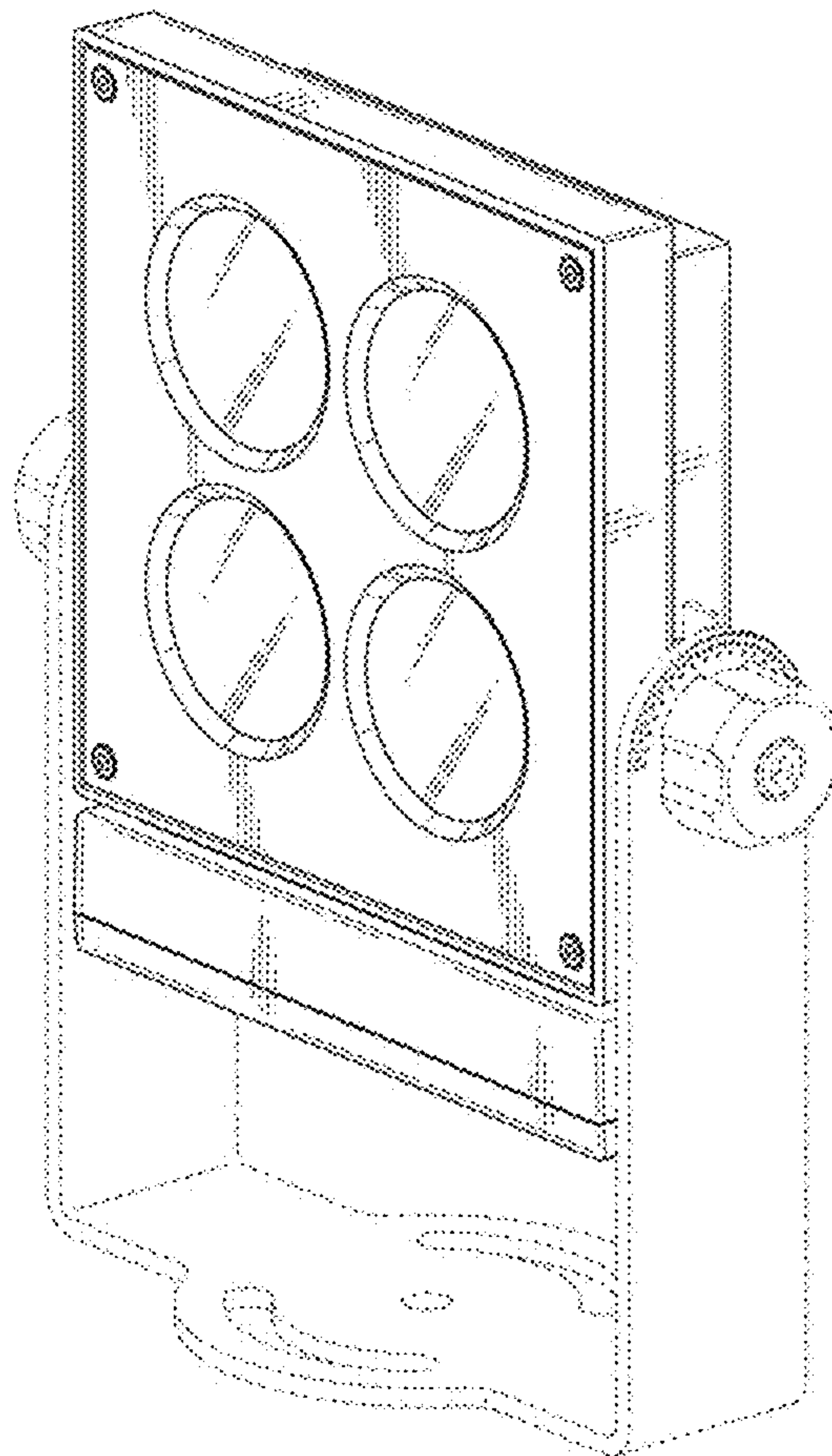
1.8



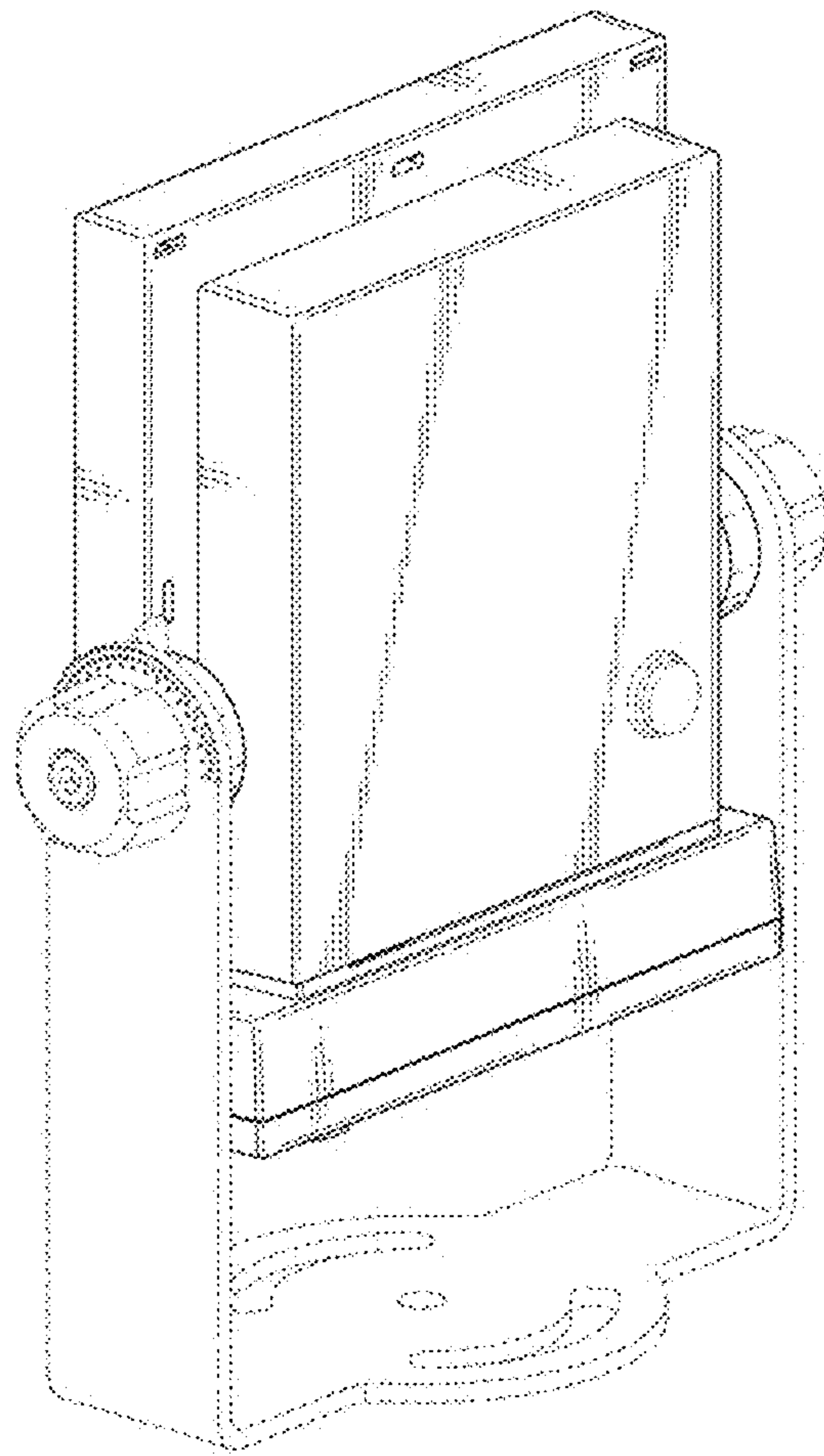
1.9



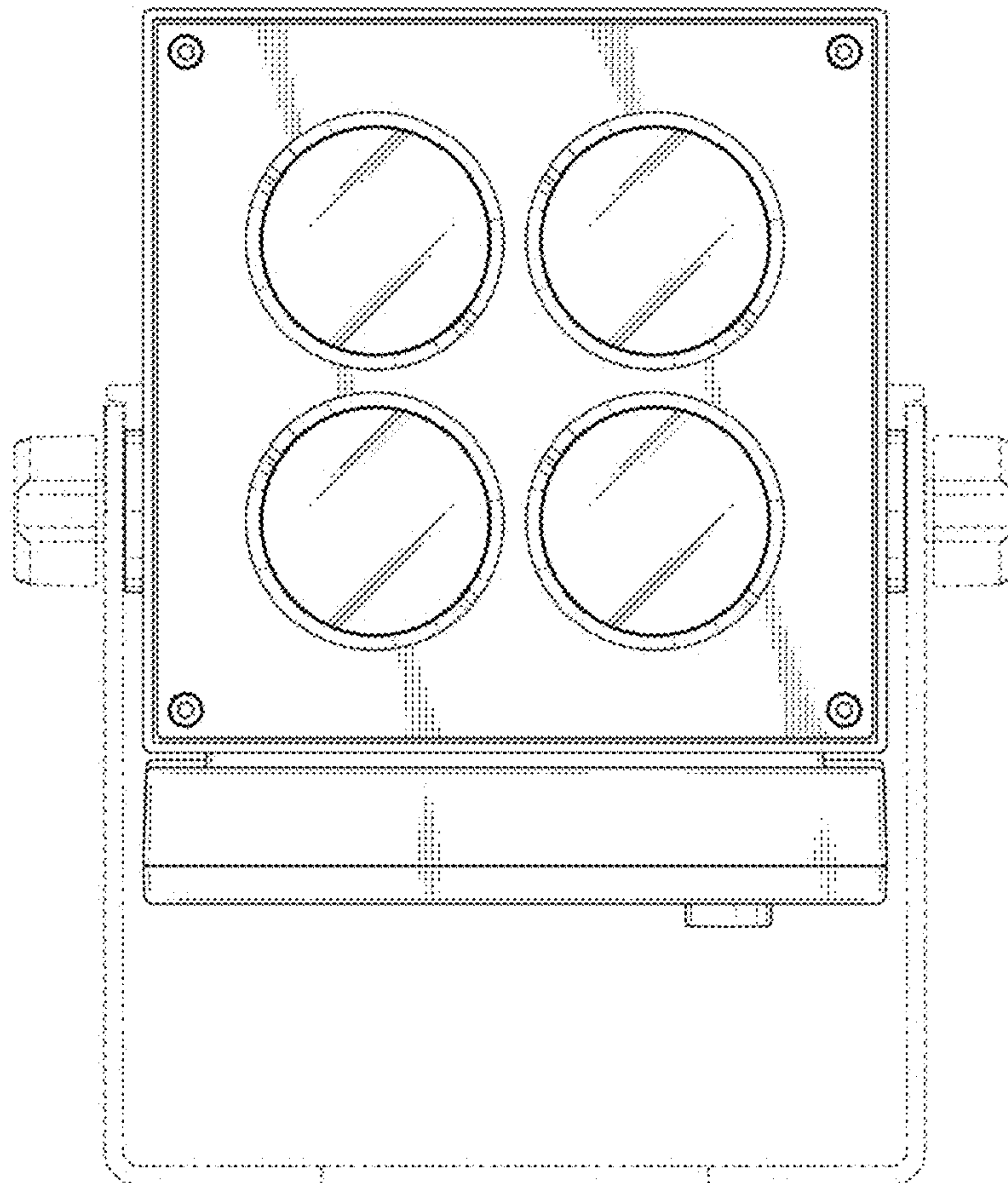
2.1



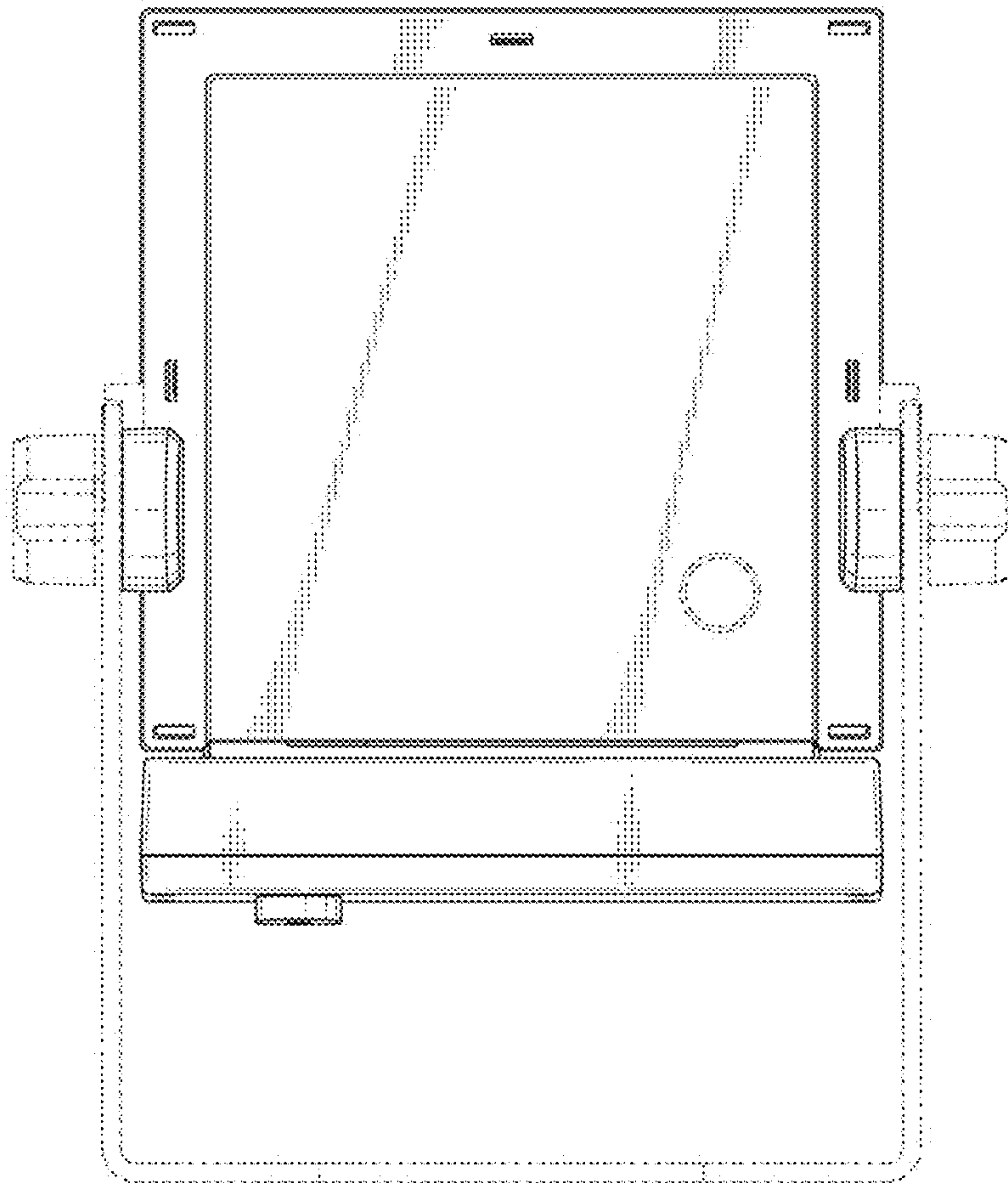
2.2



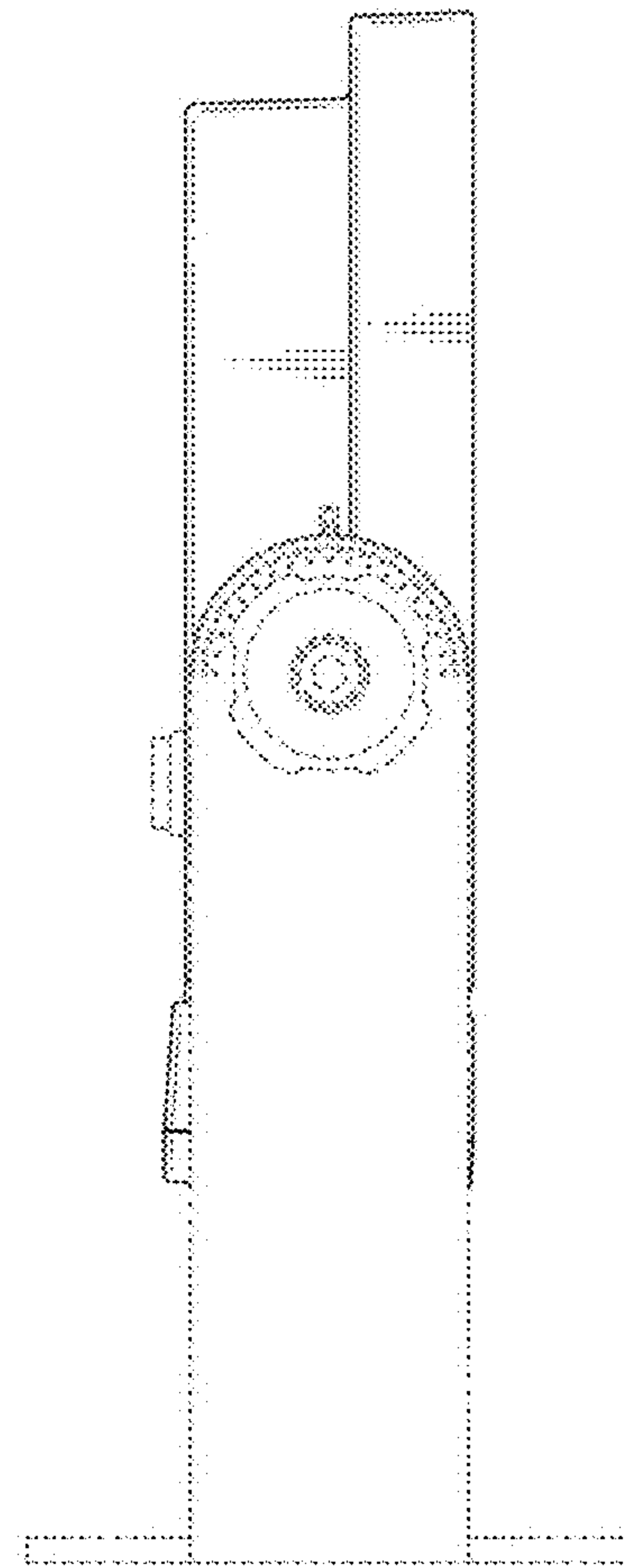
2.3



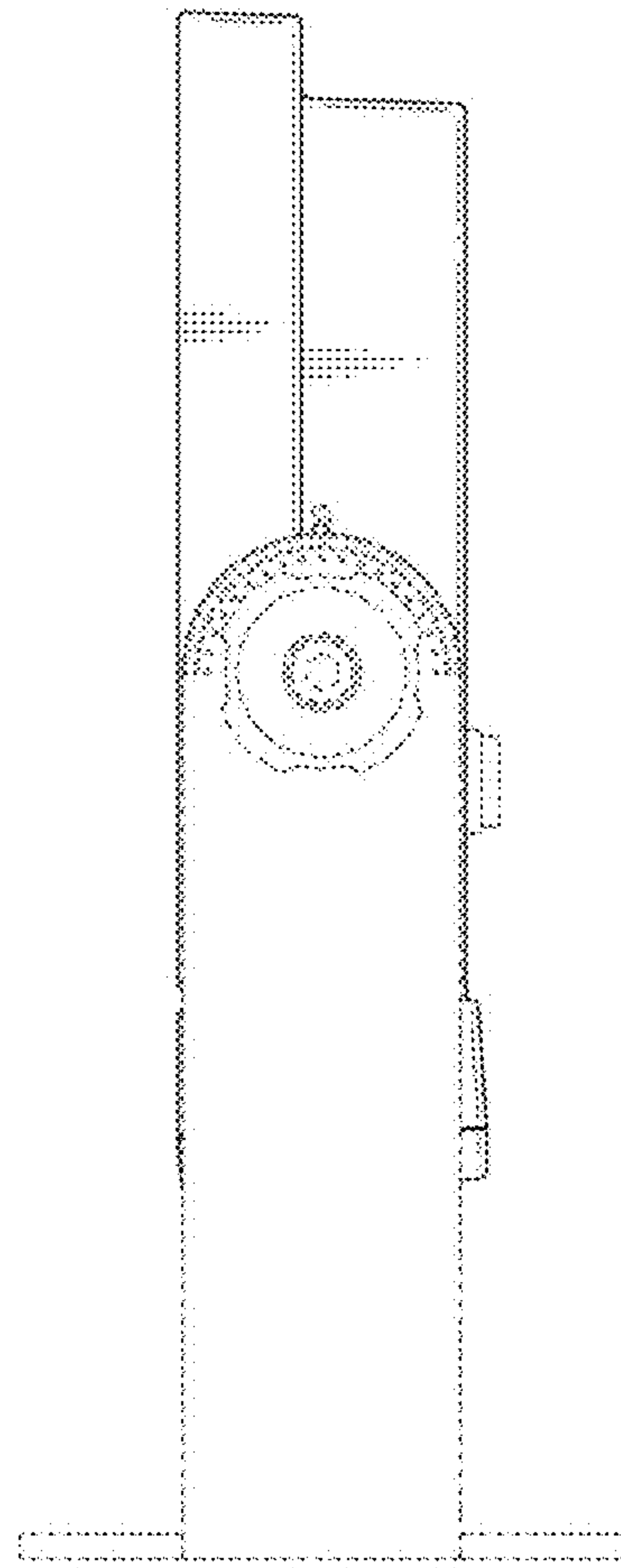
2.4



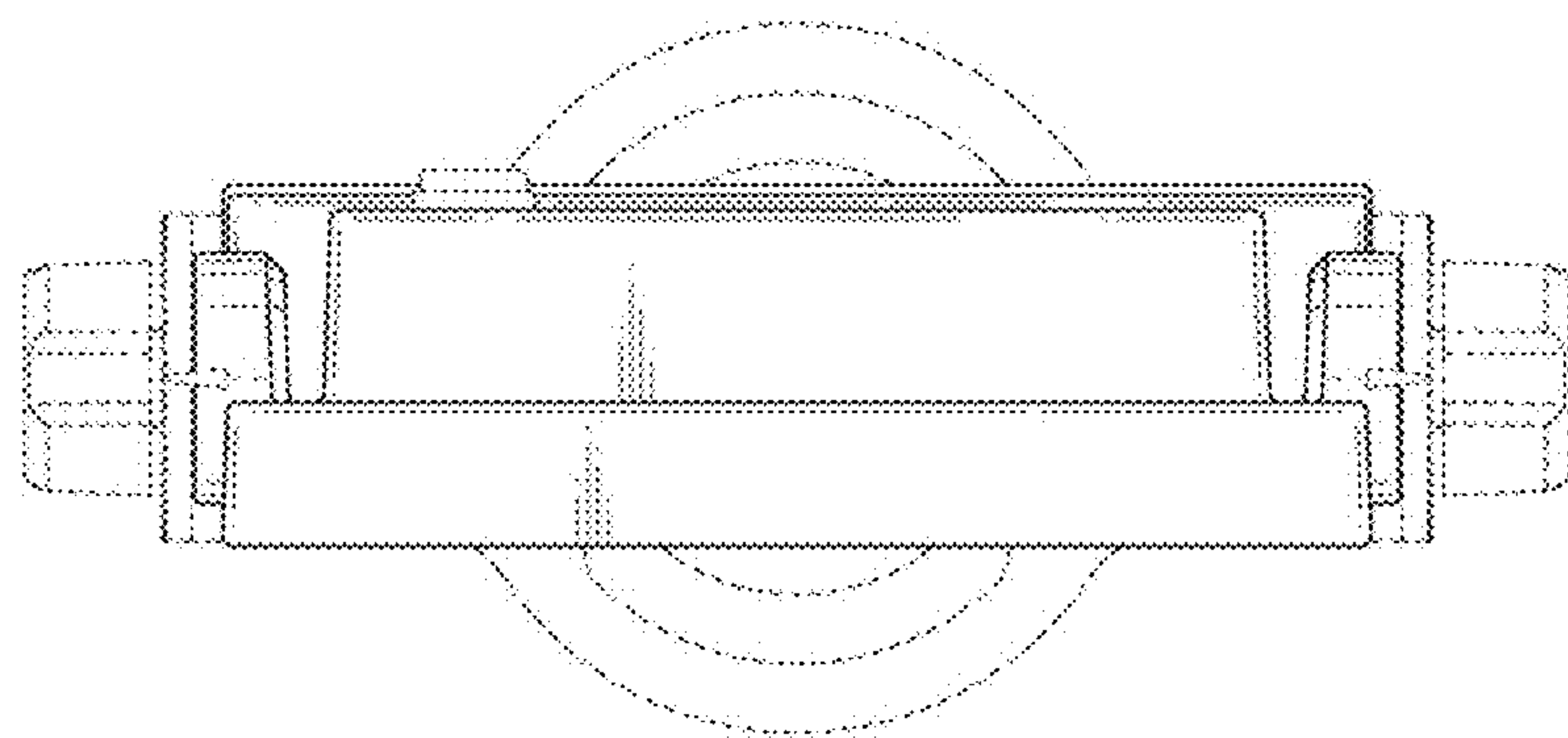
2.5



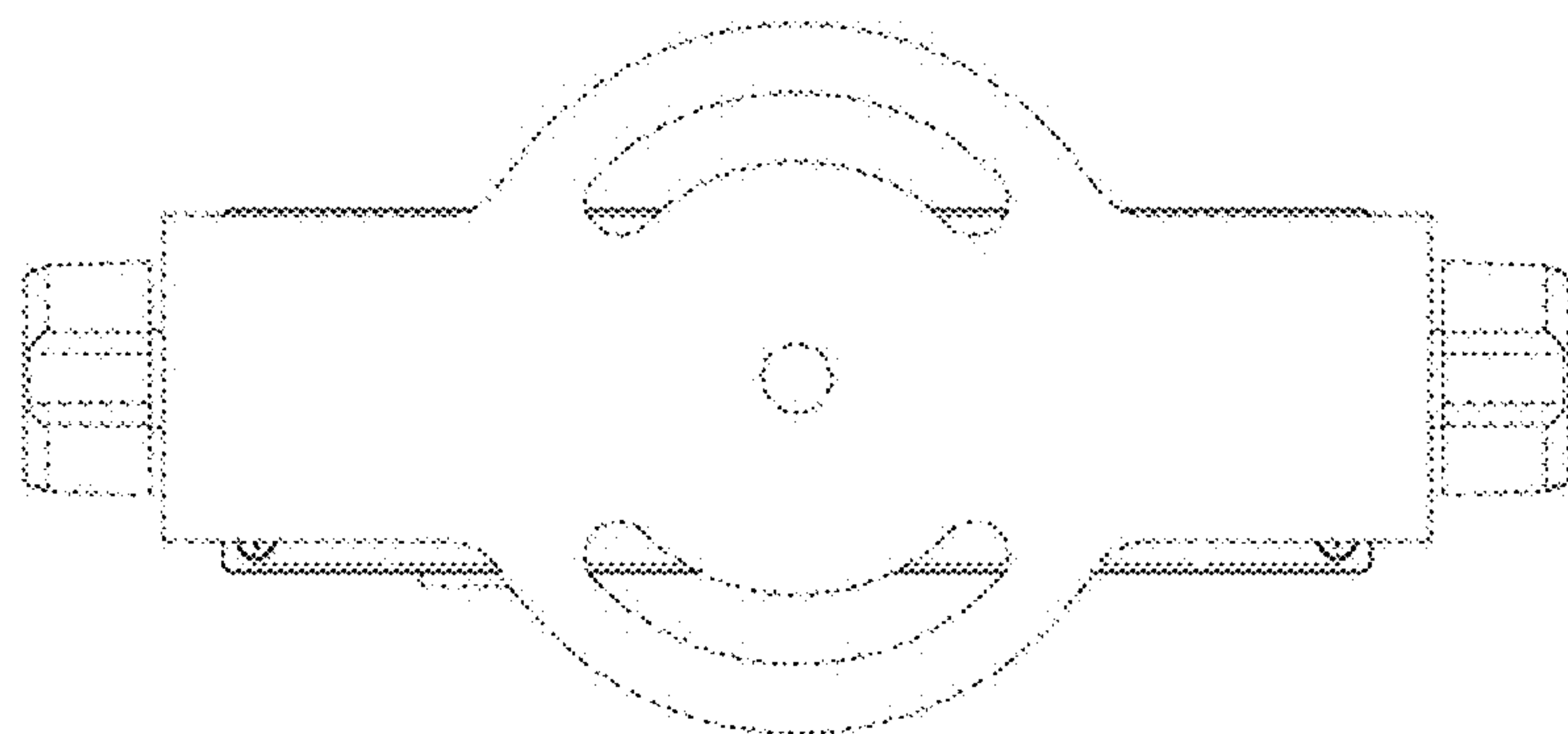
2.6



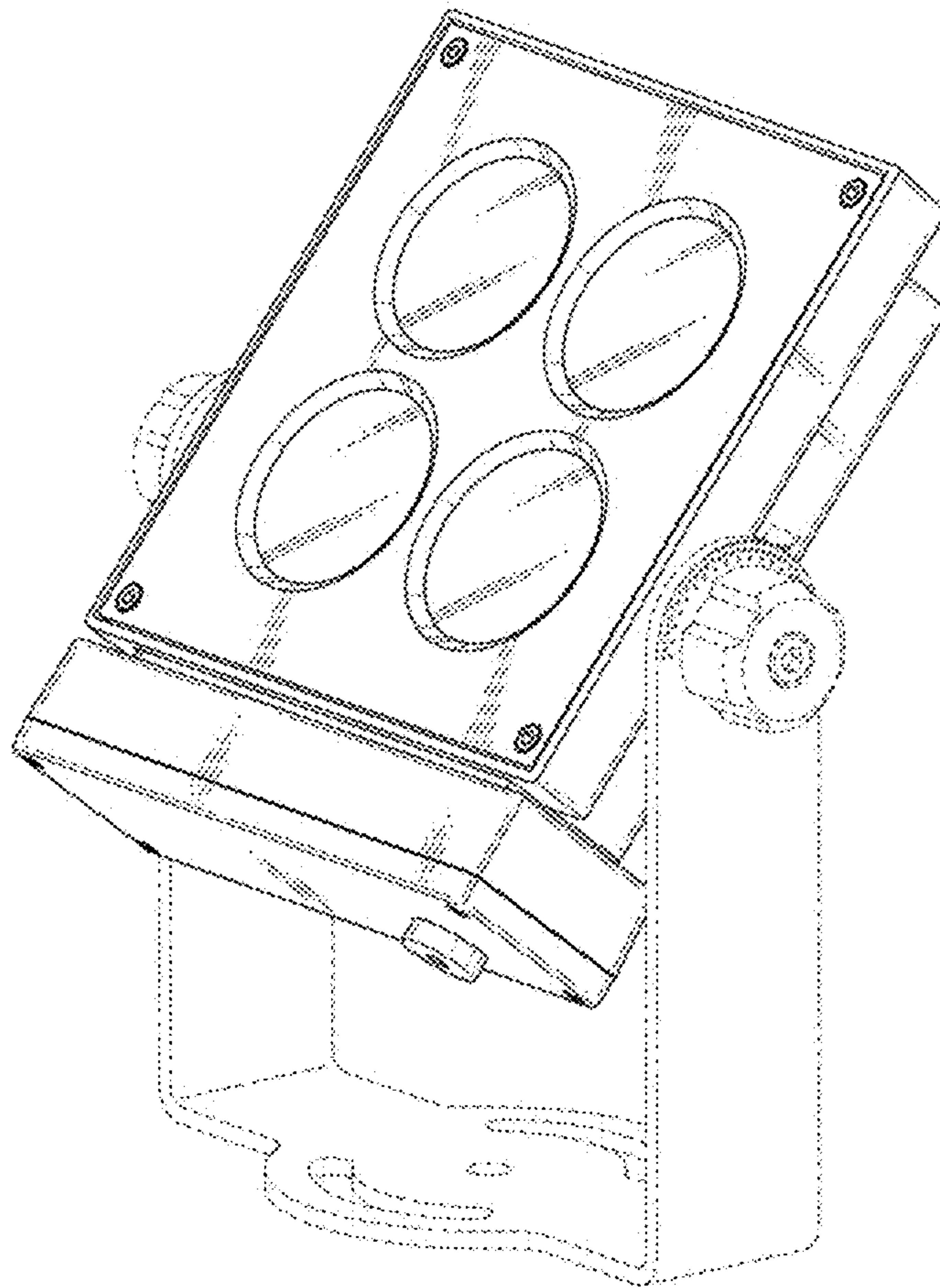
2.7



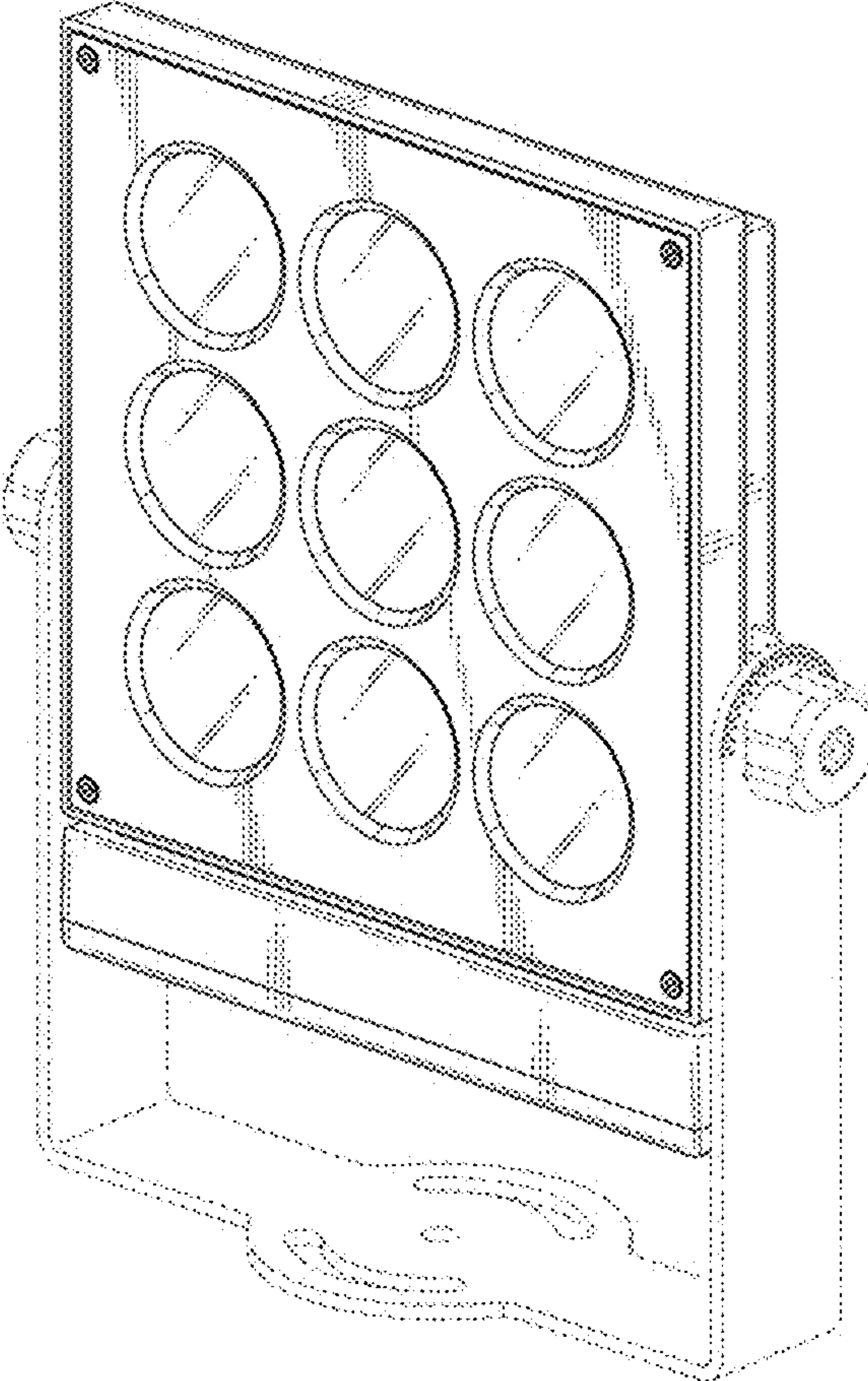
2.8



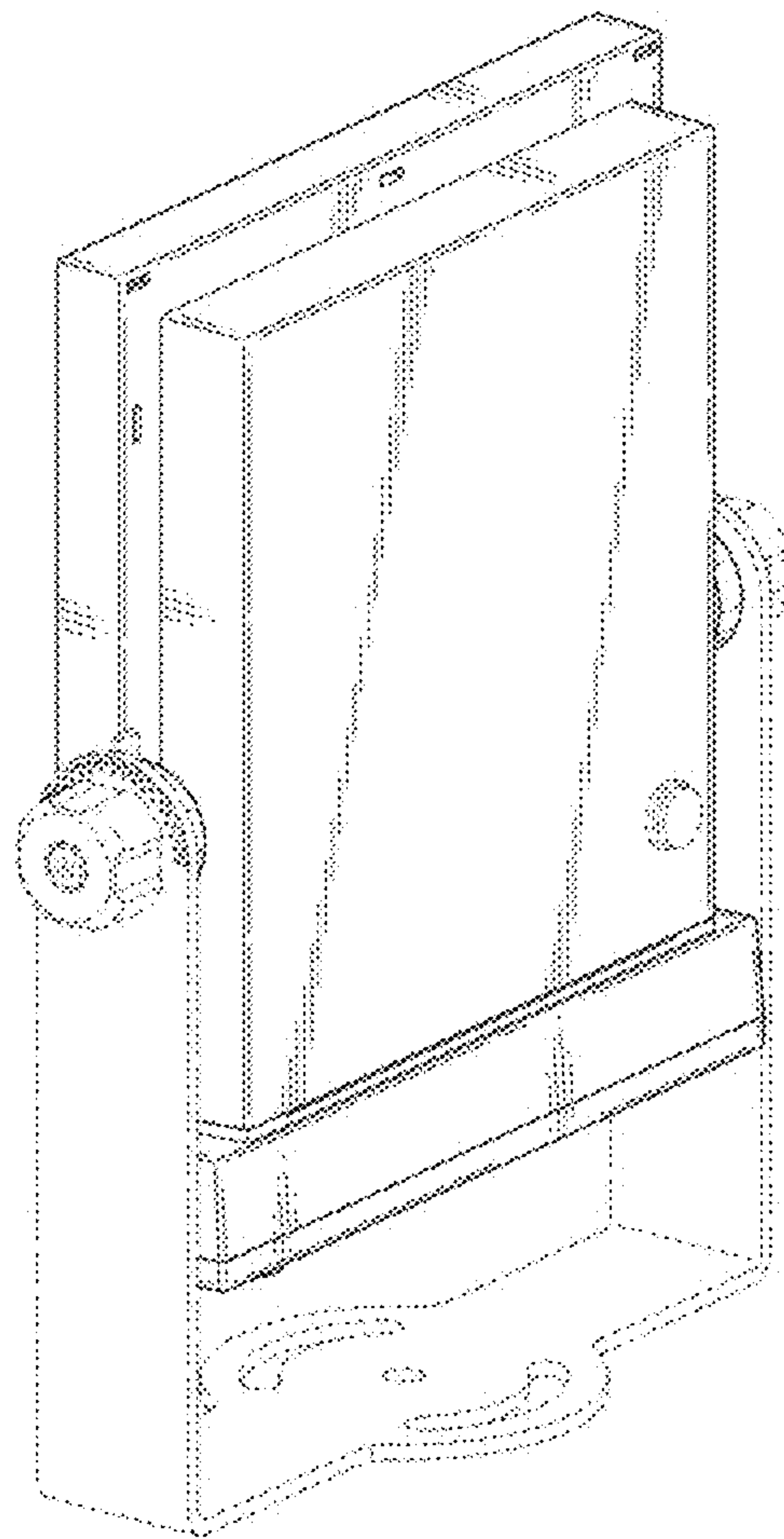
2.9



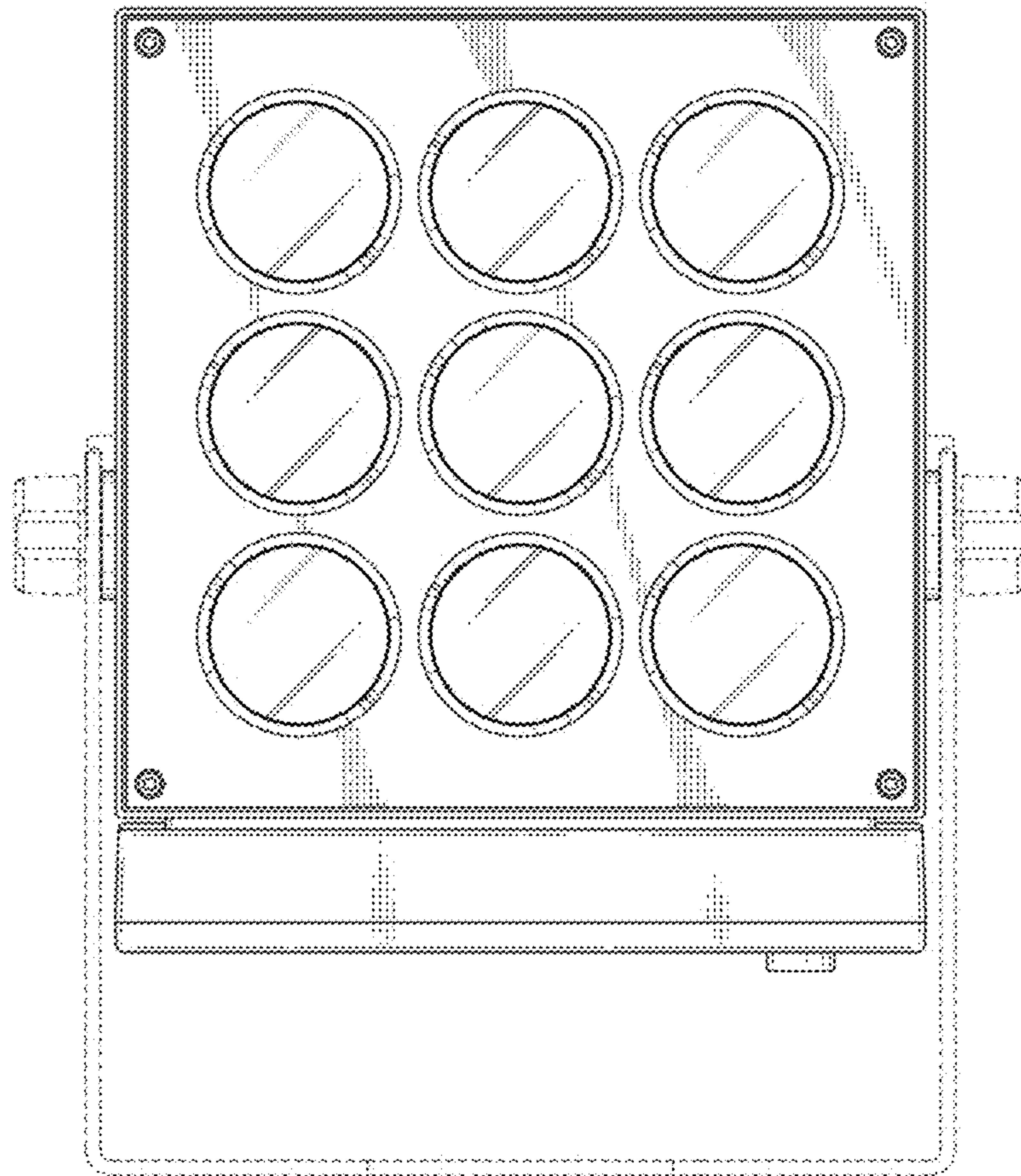
3.1



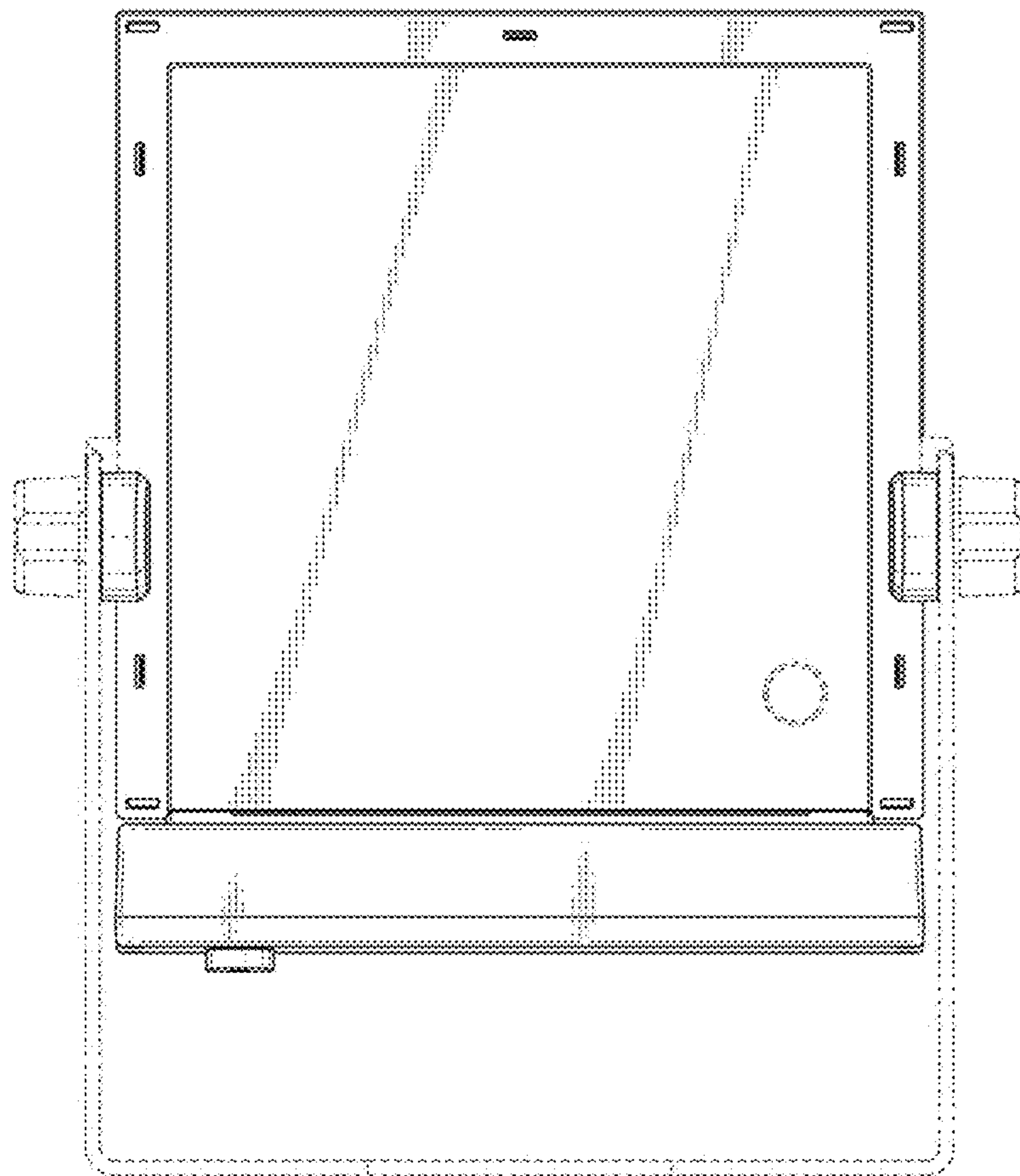
3.2



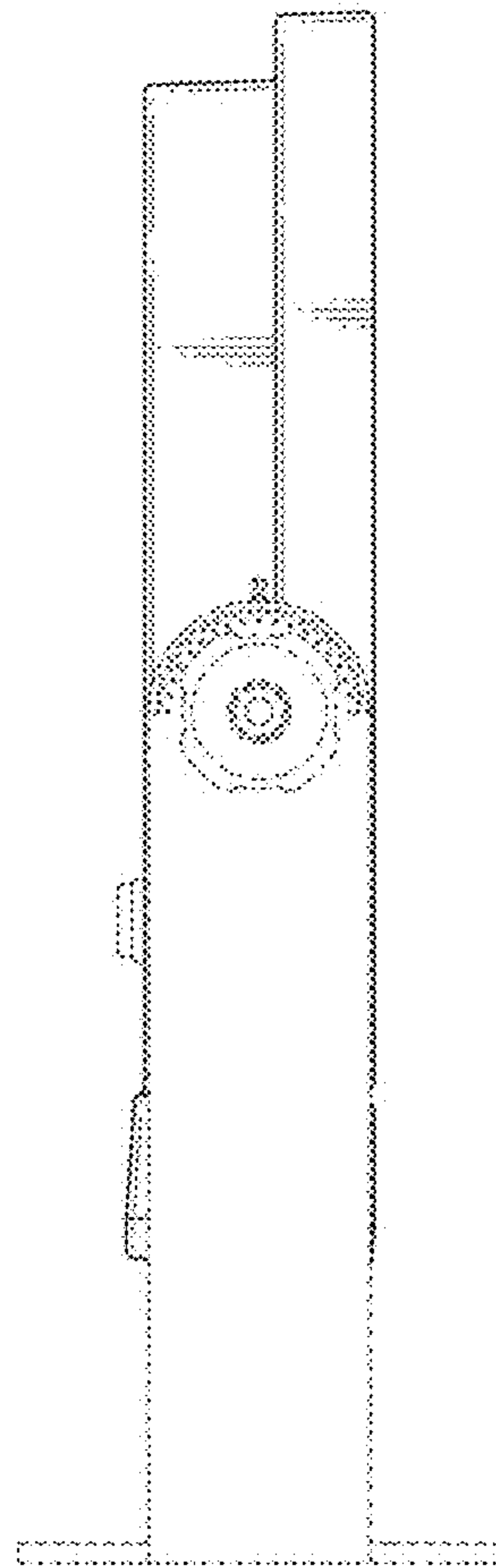
3.3



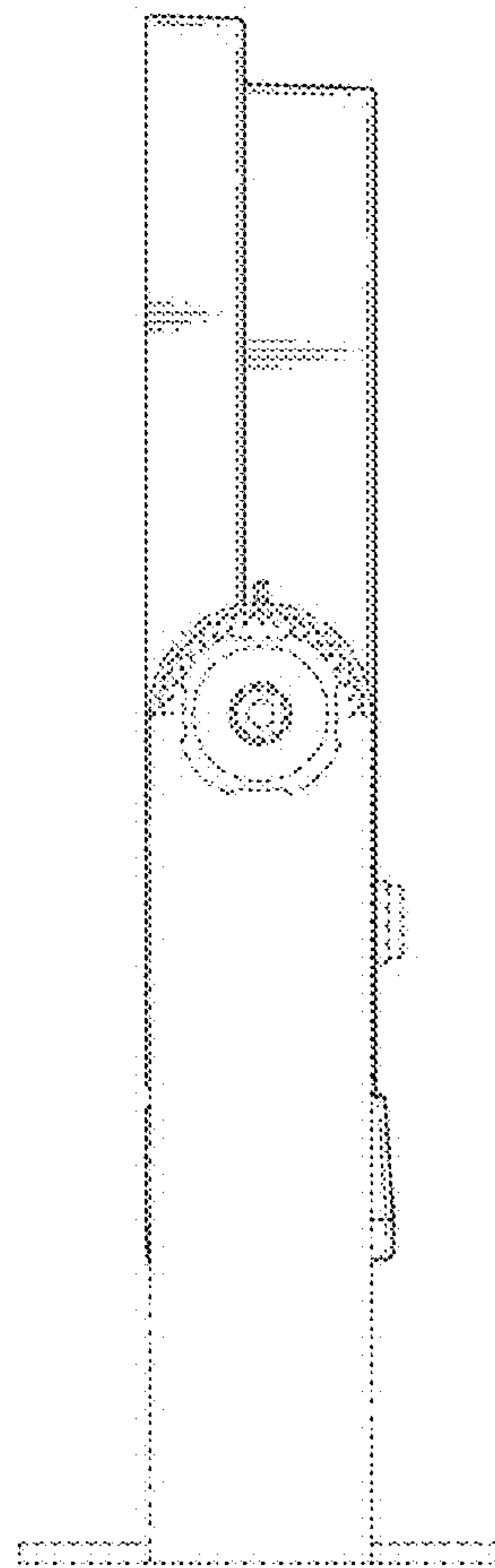
3.4



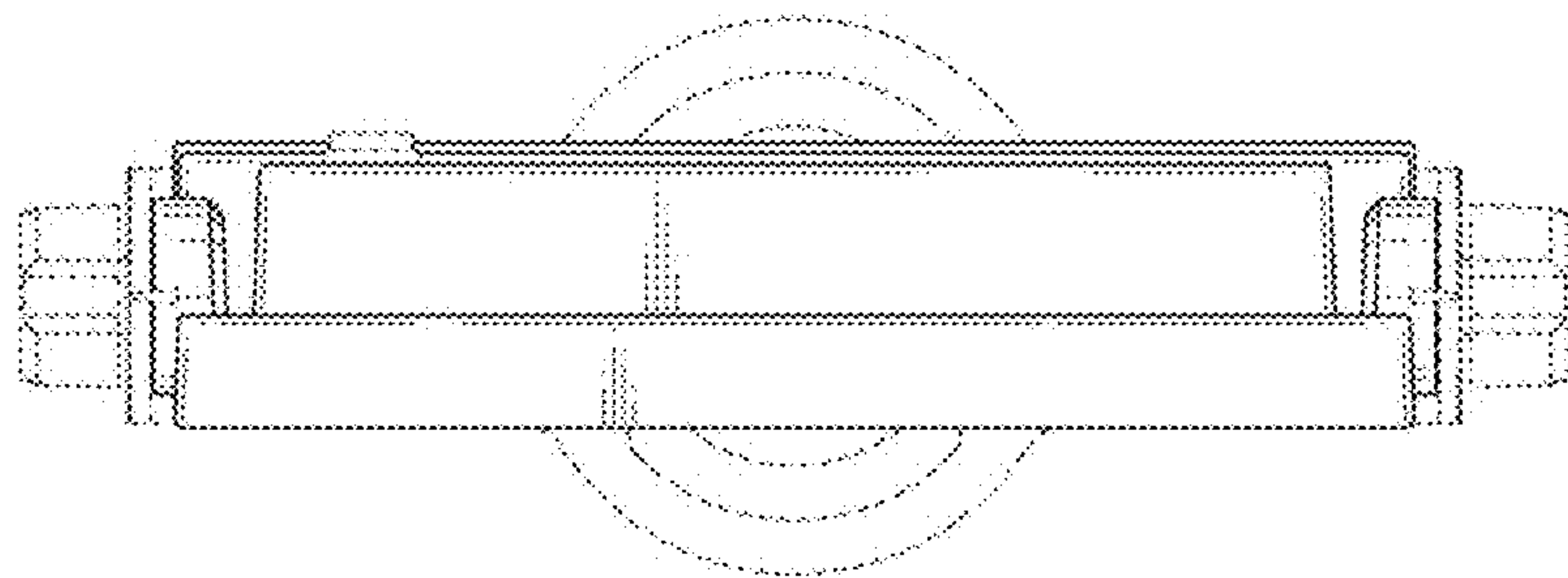
3.5



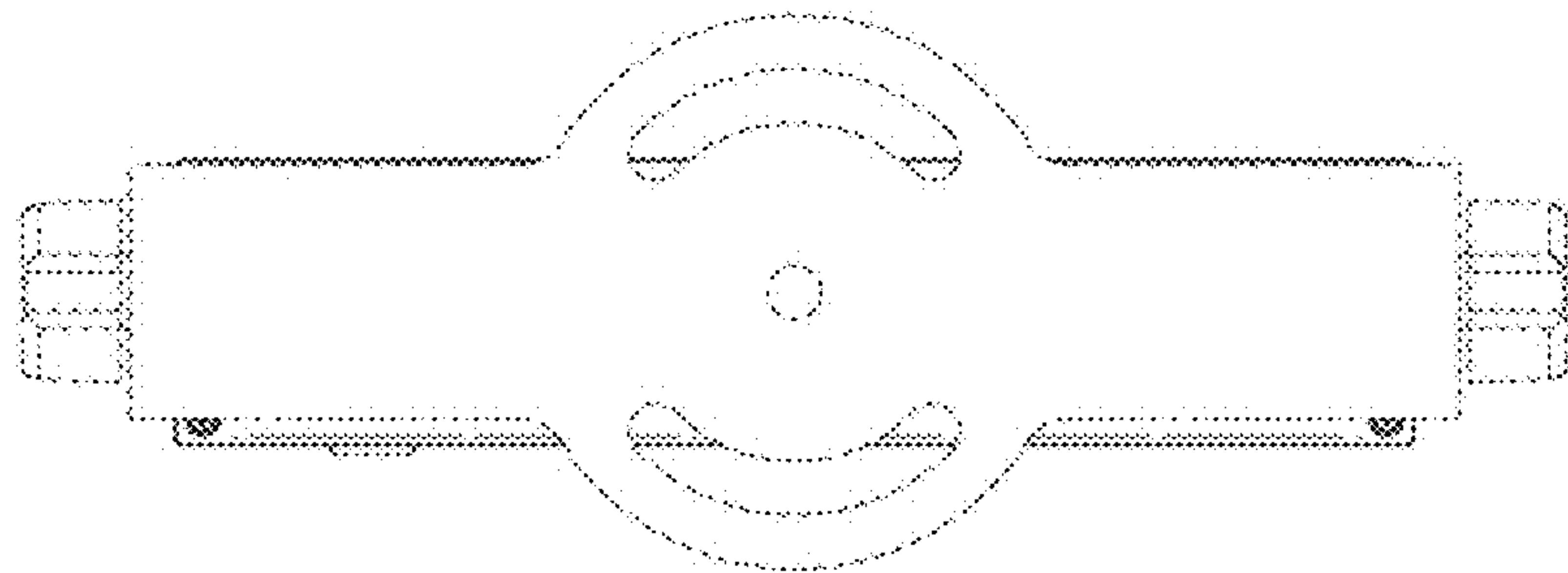
3.6



3.7



3.8



3.9

