



US00D939750S

(12) **United States Design Patent** (10) **Patent No.:** **US D939,750 S**  
**Wu** (45) **Date of Patent:** **\*\* Dec. 28, 2021**

(54) **ROTATING PRIMARY AND SECONDARY LAMP**

(71) Applicant: **Bifang Wu, Suixi (CN)**

(72) Inventor: **Bifang Wu, Suixi (CN)**

(\*\*) Term: **15 Years**

(21) Appl. No.: **29/766,678**

(22) Filed: **Jan. 18, 2021**

(51) **LOC (13) Cl.** ..... **26-05**

(52) **U.S. Cl.**  
USPC ..... **D26/63**

(58) **Field of Classification Search**  
USPC .... D26/2, 24, 25, 61, 63, 65, 72, 81, 83, 92  
CPC .. F21S 8/036; F21S 8/038; F21S 8/043; F21S 8/081; F21S 8/083; F21S 8/085; F21S 8/086; F21S 8/088; F21S 13/10; F21S 9/03; F21S 9/035; F21S 9/037; F21S 10/063; F21S 6/003

See application file for complete search history.

(56) **References Cited**

**U.S. PATENT DOCUMENTS**

D654,205 S *	2/2012	Rashidi	.....	D26/74
D683,063 S *	5/2013	Lopez	.....	D26/113
D742,555 S *	11/2015	Shum	.....	D26/2
D829,961 S	10/2018	Lin		
D858,839 S *	9/2019	Deng	.....	D26/63
D858,841 S *	9/2019	Deng	.....	D26/63
D893,074 S	8/2020	Finocchiaro		
D901,744 S *	11/2020	Xu	.....	D26/72
D901,747 S	11/2020	Lin		
D921,258 S *	6/2021	Xu	.....	D26/63

2009/0135613 A1*	5/2009	Peng	.....	F21V 29/773 362/373
2011/0002124 A1*	1/2011	Chang	.....	F21V 29/89 362/294
2013/0051012 A1*	2/2013	Oehle	.....	F21V 17/12 362/235
2015/0029732 A1*	1/2015	Hatch	.....	F21V 23/02 362/365
2016/0348861 A1*	12/2016	Bailey	.....	F21V 23/002
2017/0153016 A1*	6/2017	Lee	.....	F21V 19/02

\* cited by examiner

*Primary Examiner* — Michael C Stout  
*Assistant Examiner* — Benjamin M Weeks

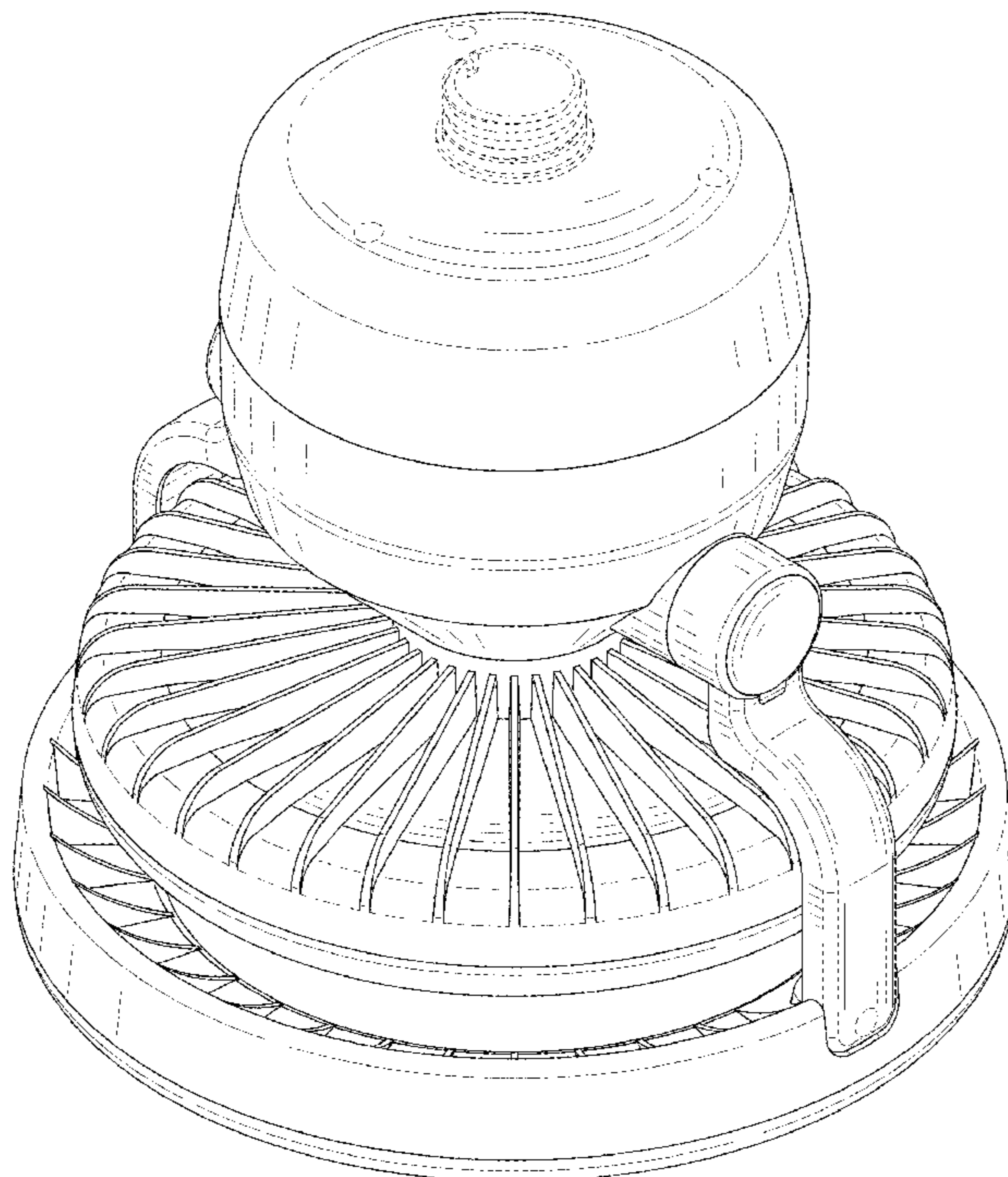
(57) **CLAIM**

The ornamental design for a rotating primary and secondary lamp, as shown and described.

**DESCRIPTION**

FIG. 1 is a perspective view of a rotating primary and secondary lamp showing my new design; FIG. 2 is a front view thereof; FIG. 3 is a back view thereof; FIG. 4 is a left side view thereof; FIG. 5 is a right side view thereof; FIG. 6 is a top view thereof; FIG. 7 is a bottom view thereof; FIG. 8 is a perspective view of another state of the rotating primary and secondary lamp thereof; and, FIG. 9 is a perspective view of further another state of the rotating primary and secondary lamp thereof. The broken lines shown in the drawings depict portions of the rotating primary and secondary lamp in which the design is embodied, that form no part of the claimed design.

**1 Claim, 9 Drawing Sheets**



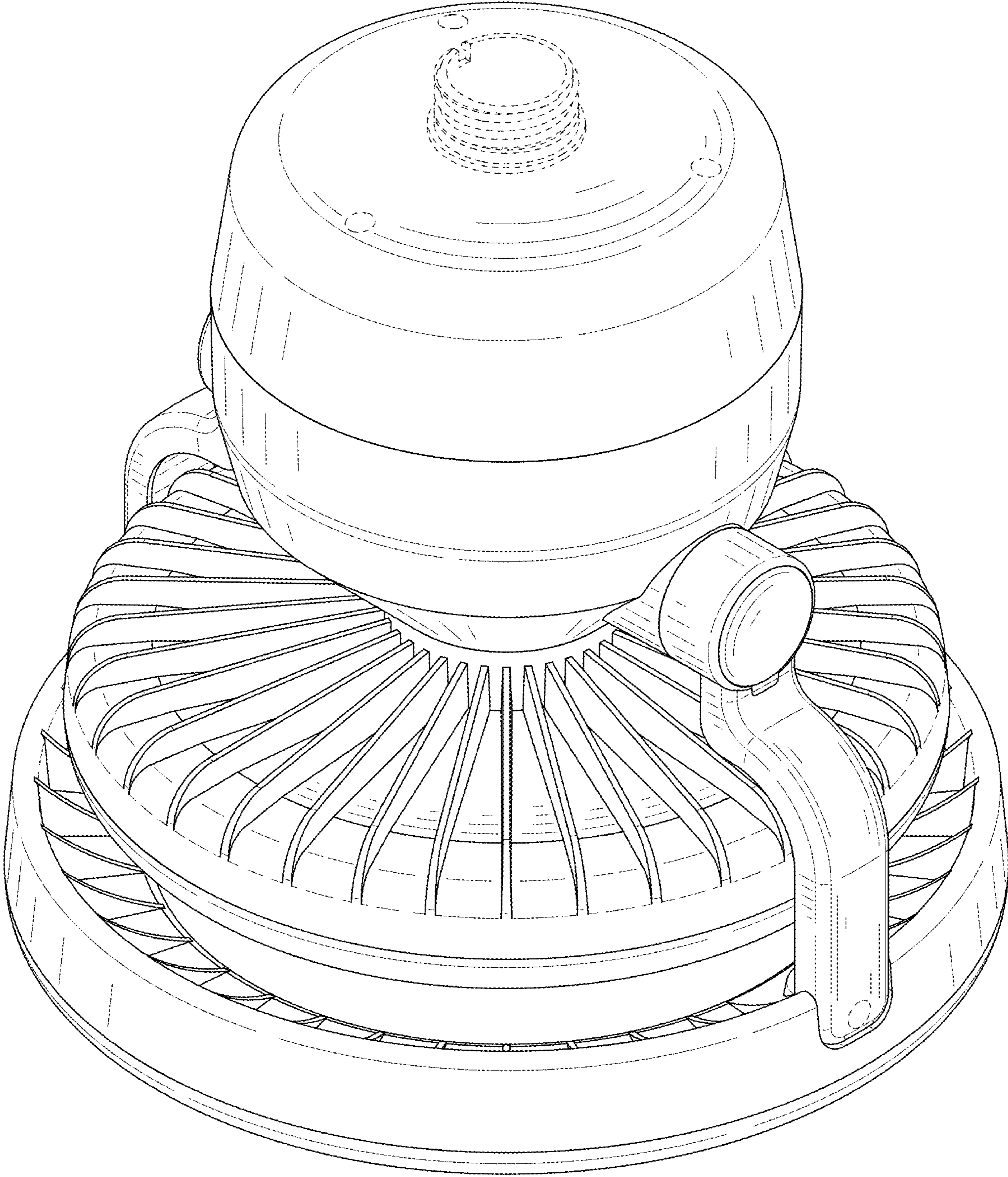


FIG. 1

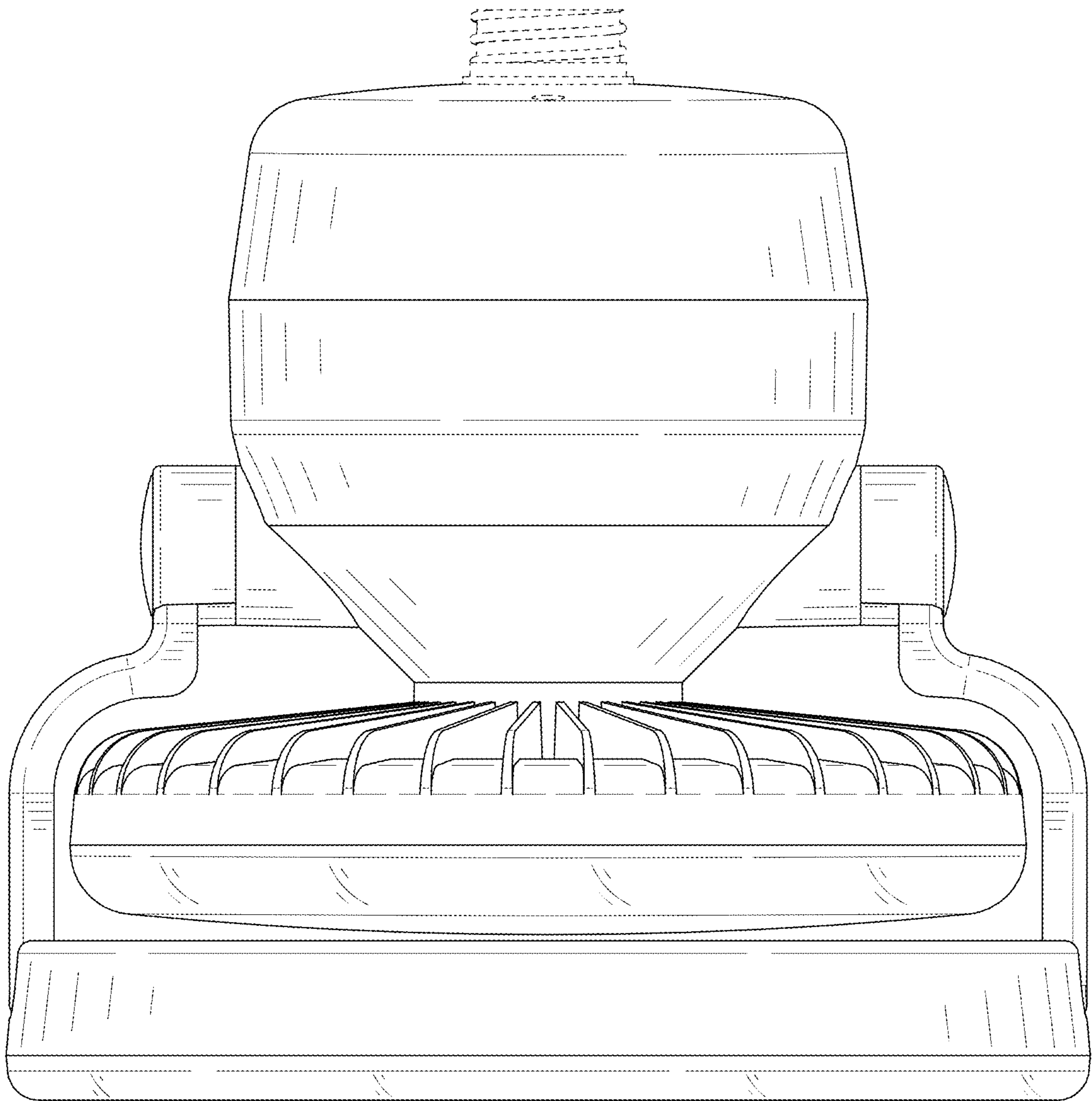


FIG. 2

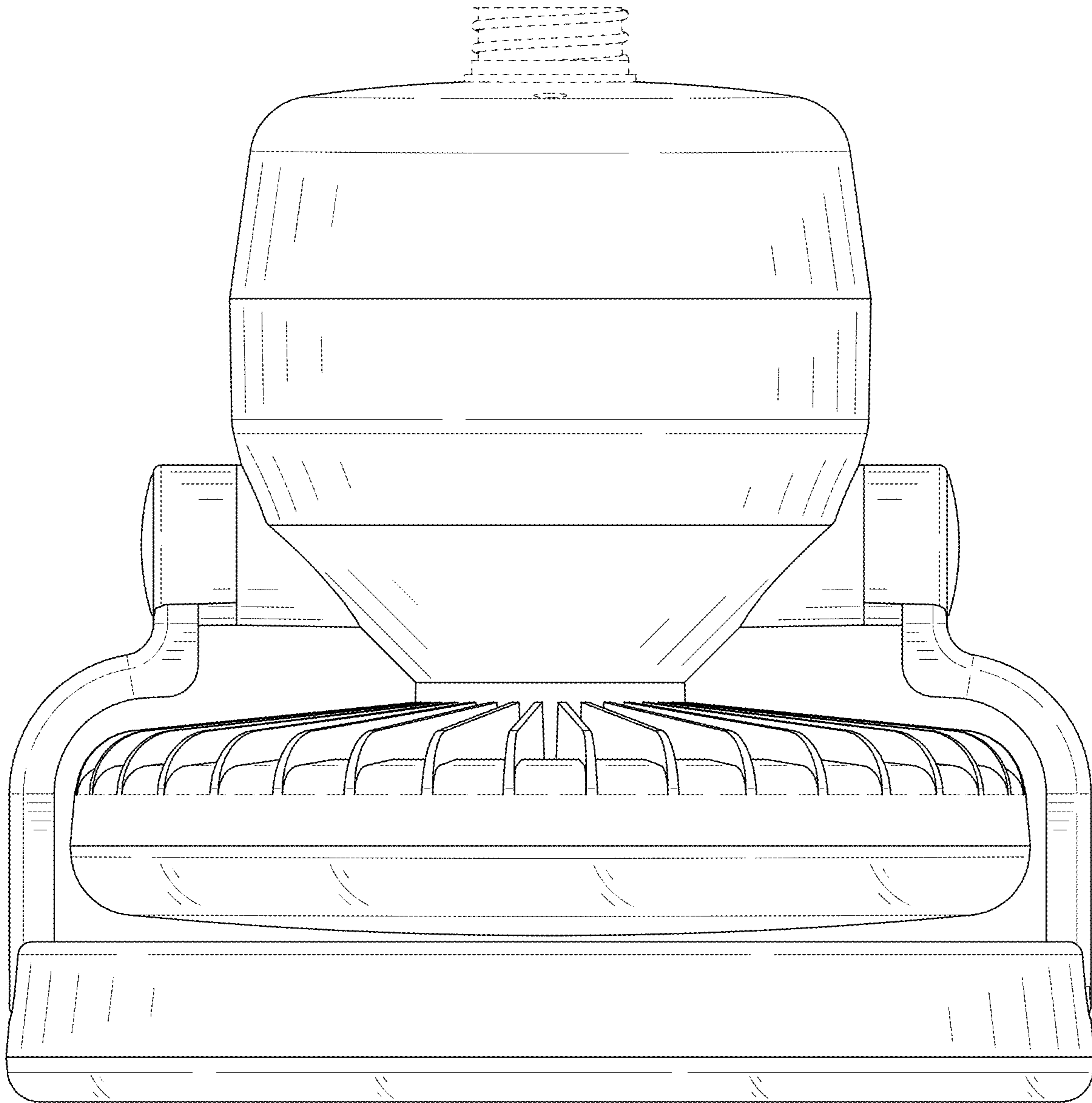


FIG. 3

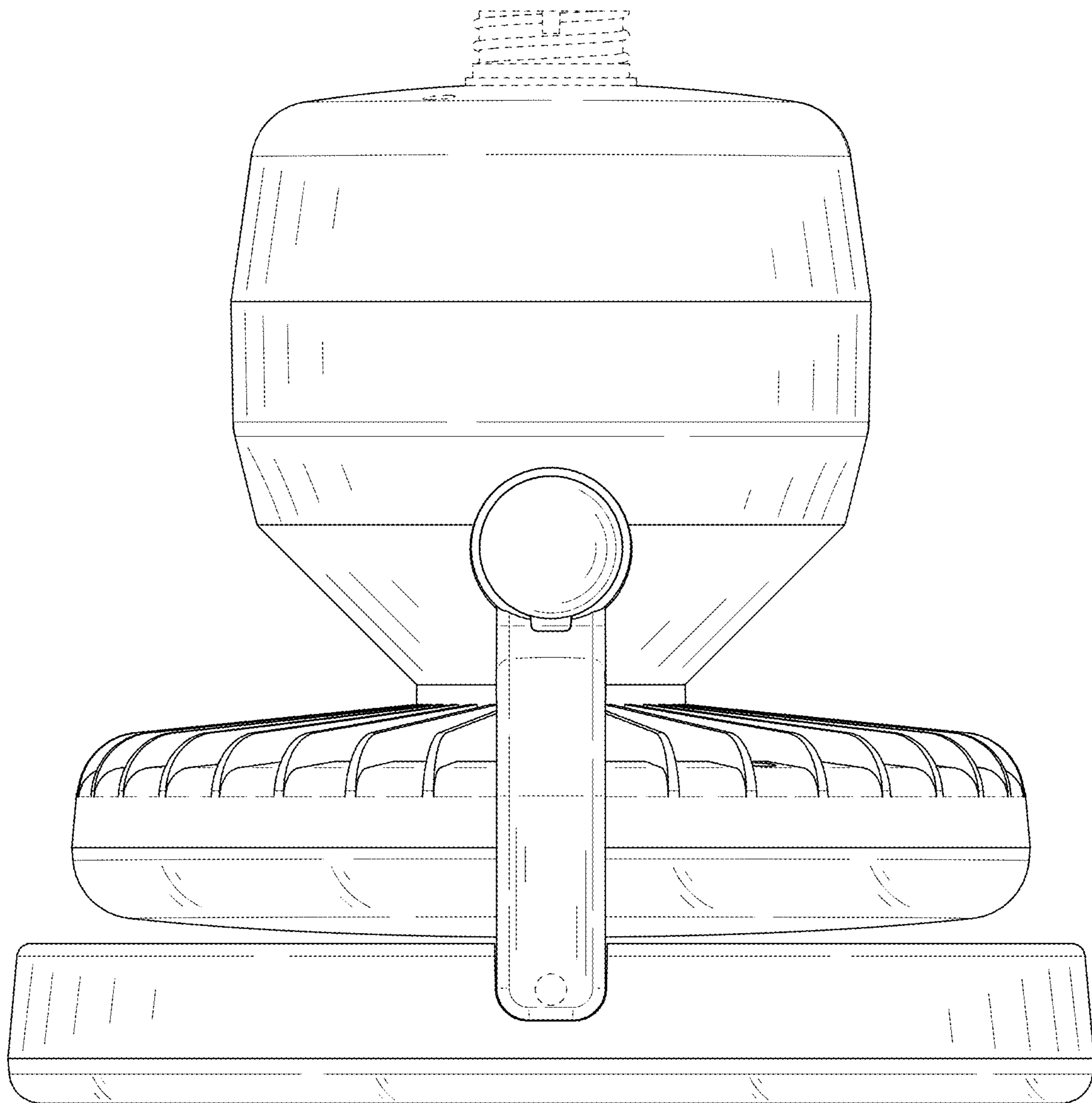


FIG. 4

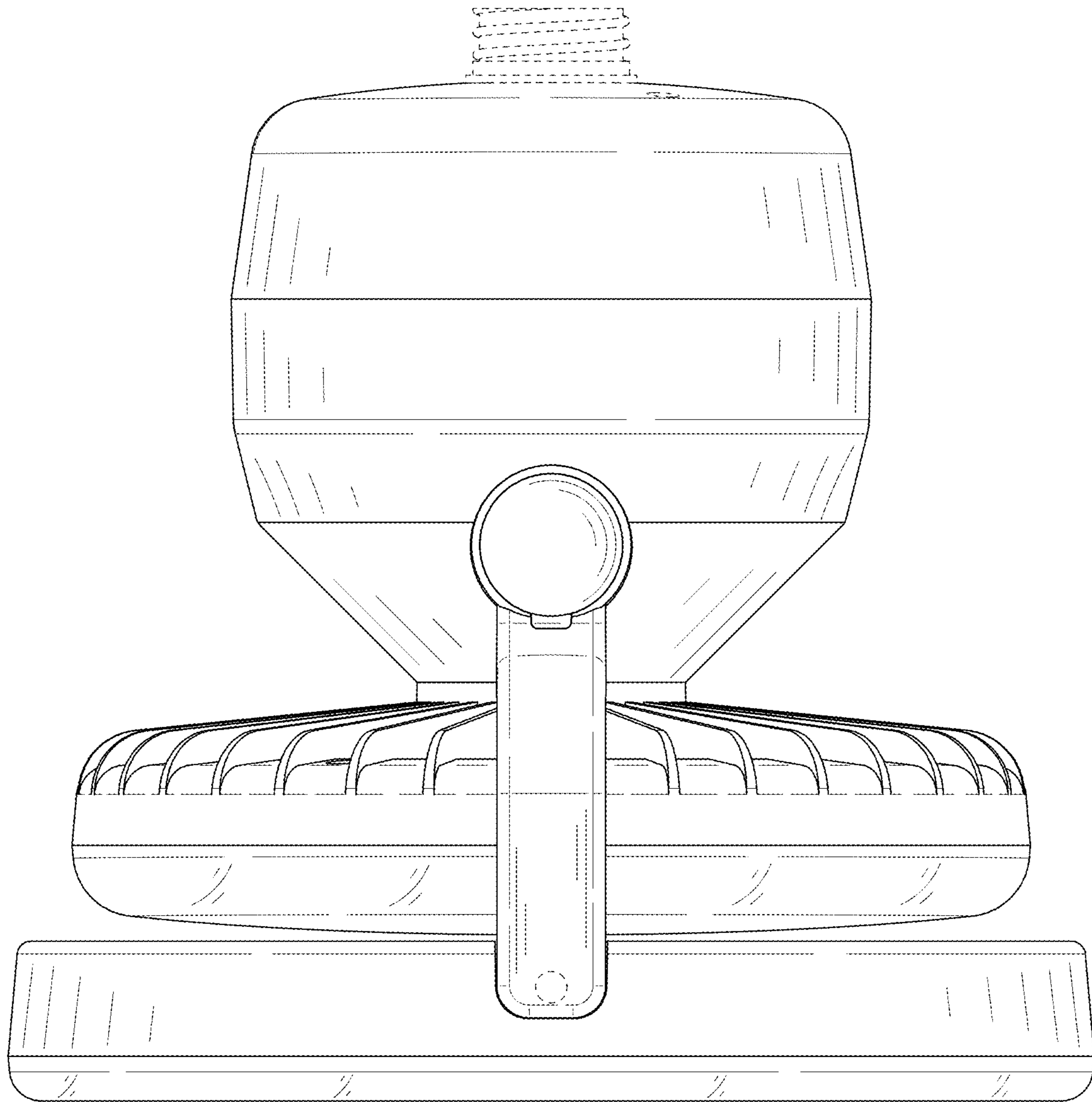


FIG. 5

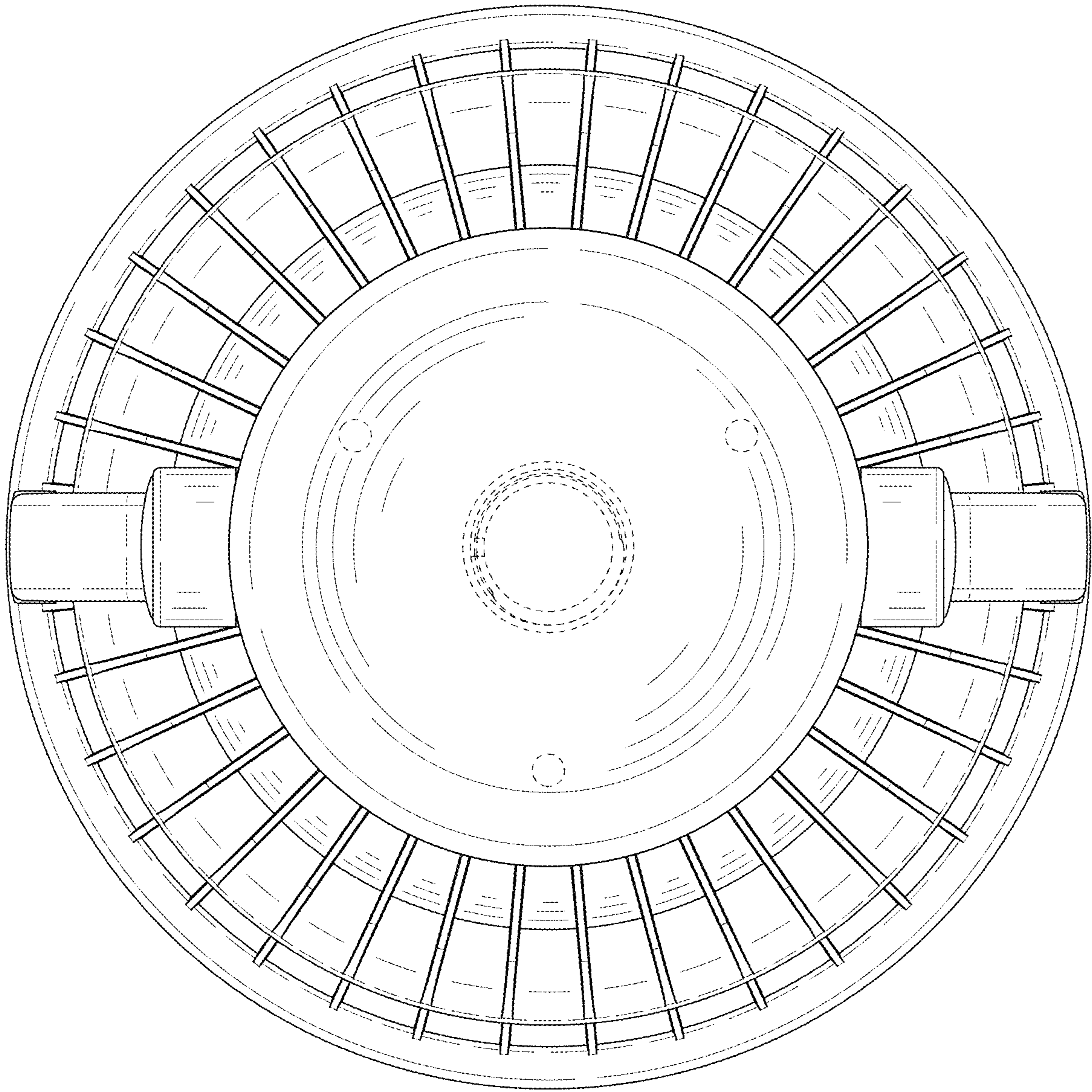


FIG. 6

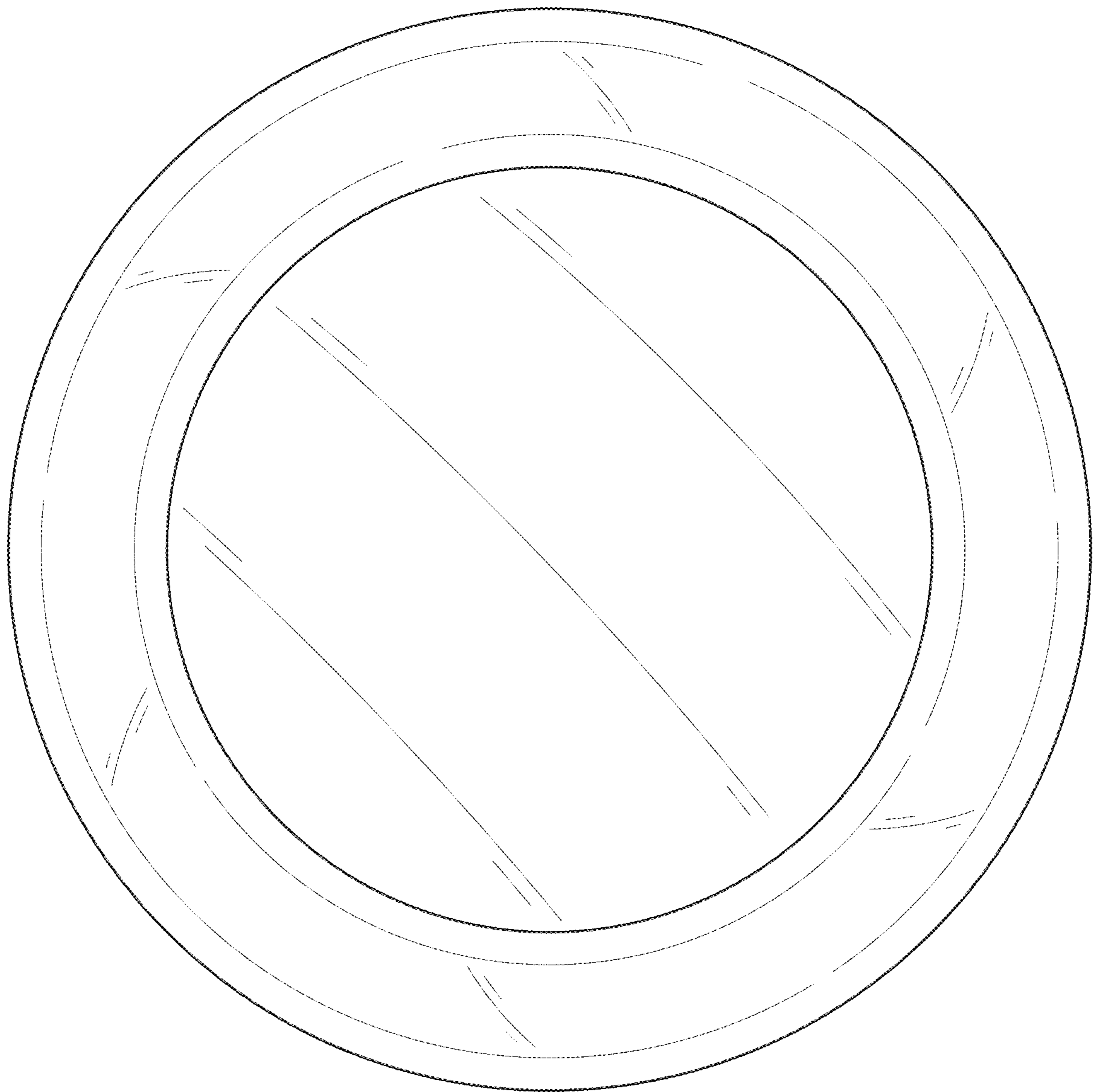


FIG. 7



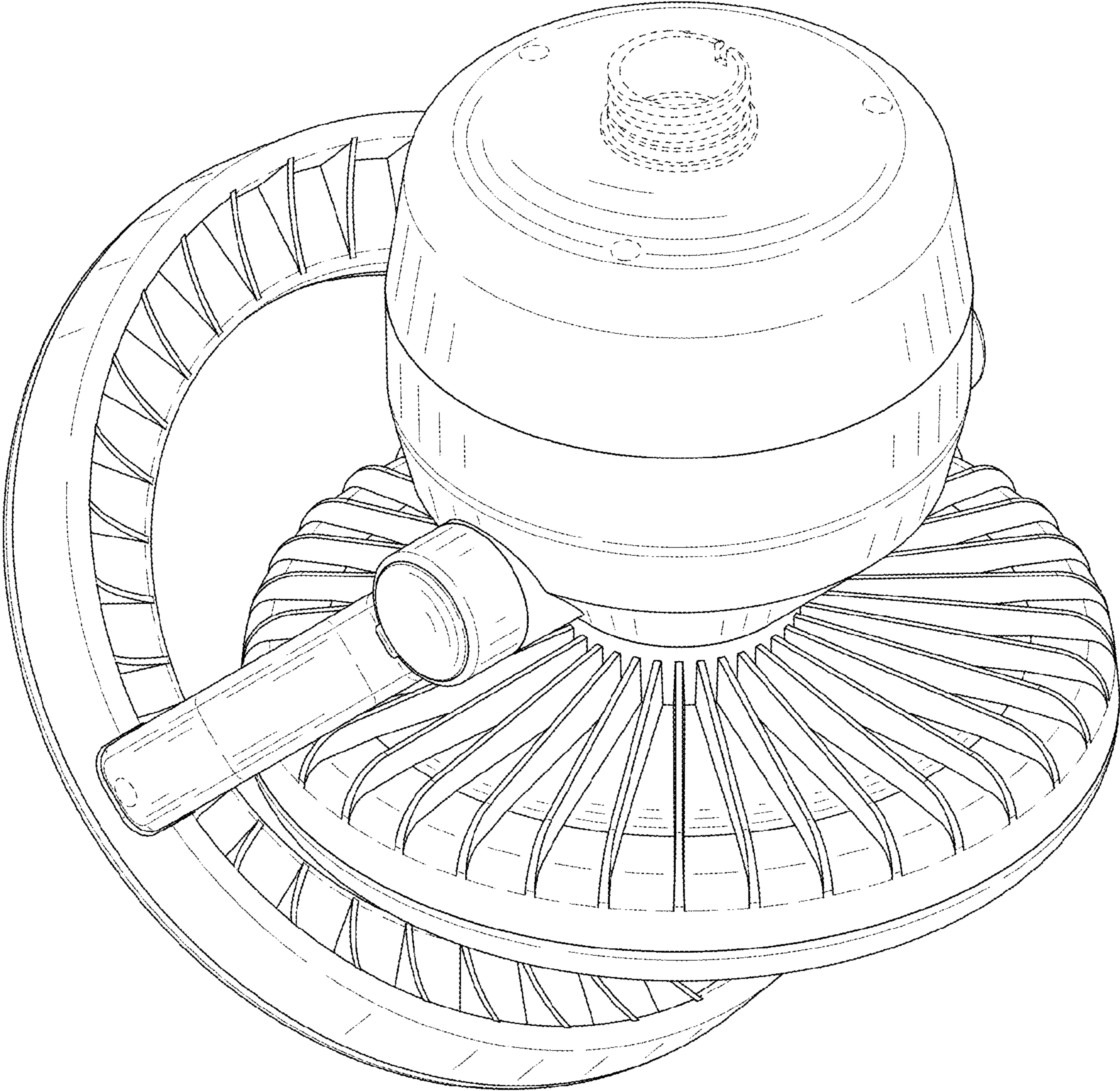


FIG. 8

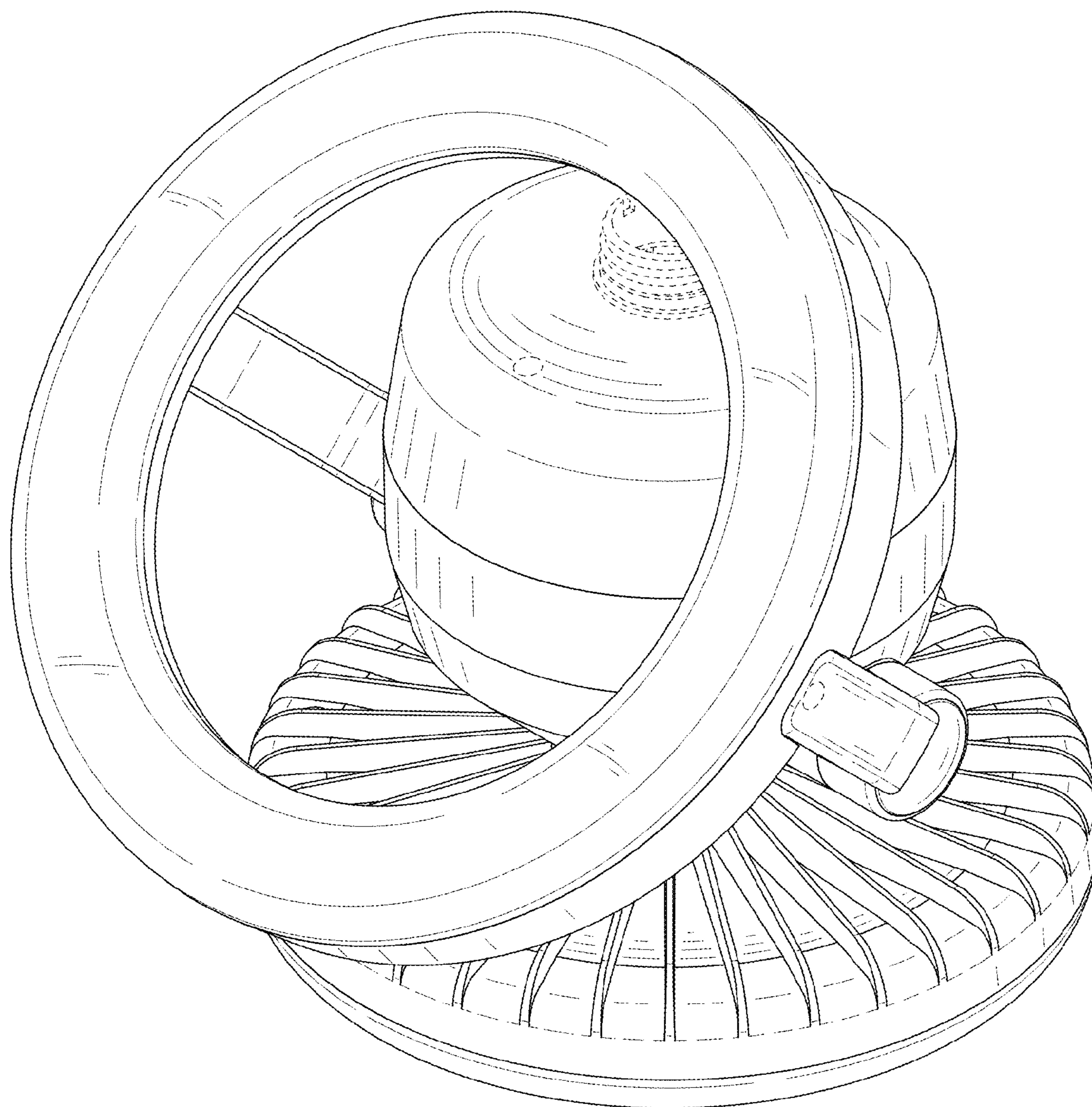


FIG. 9