



US00D939748S

(12) **United States Design Patent** (10) **Patent No.:** **US D939,748 S**  
**Salihovic et al.** (45) **Date of Patent:** **\*\* Dec. 28, 2021**

(54) **SECURITY LIGHT**

(71) Applicant: **HeathCo LLC**, Bowling Green, KY (US)

(72) Inventors: **Amer Salihovic**, Bowling Green, KY (US); **Leeman Elliot Stevens**, Bowling Green, KY (US); **Apollo Paul Paredes**, Livonia, MI (US)

(73) Assignee: **HEATHCO LLC**, Bowling Green, KY (US)

(\*\*) Term: **15 Years**

(21) Appl. No.: **29/626,791**

(22) Filed: **Nov. 20, 2017**

(51) **LOC (13) Cl.** ..... **26-05**

(52) **U.S. Cl.**  
USPC ..... **D26/51**

(58) **Field of Classification Search**  
USPC ..... D26/63, 65, 68, 67, 37-51; D16/203  
CPC .... F21S 8/04; F21S 8/00; F21V 21/00; F21V 17/02; F21V 14/02; F21V 21/30; F21V 21/14; F21V 21/26; F21W 2131/10  
See application file for complete search history.

(56) **References Cited**

**U.S. PATENT DOCUMENTS**

D708,388 S	7/2014	Lee	
D713,579 S *	9/2014	Chen	D26/63
D713,581 S *	9/2014	Chen	D26/63
D735,927 S	8/2015	Lee	
D744,570 S *	12/2015	Criscuolo	D16/203
D761,474 S *	7/2016	Chen	D26/65
D764,700 S *	8/2016	Chen	D26/118
D765,901 S *	9/2016	Chen	D26/63
D788,967 S *	6/2017	Chen	D26/65
D802,044 S *	11/2017	Wu	D16/203

D803,452 S *	11/2017	Fang	D26/65
D803,921 S *	11/2017	Ballard	D16/203
D804,075 S *	11/2017	Fang	D26/65
D805,672 S *	12/2017	Dai	D26/63
D847,404 S *	4/2019	Paredes	D26/118
D888,309 S	6/2020	Siminoff et al.	
D888,310 S	6/2020	Siminoff et al.	
D888,322 S	6/2020	Paredes et al.	
D889,720 S	7/2020	Zhu	
D889,721 S	7/2020	Tan	
2006/0024046 A1	2/2006	Jones et al.	
2012/0257064 A1	10/2012	Kim et al.	
2015/0029340 A1	1/2015	Taguchi et al.	

(Continued)

*Primary Examiner* — Marissa J Cash

*Assistant Examiner* — William B Melliar

(74) *Attorney, Agent, or Firm* — Middleton Reutlinger

(57) **CLAIM**

The ornamental design for the security light, as shown and described.

**DESCRIPTION**

FIG. 1 is a lower perspective view of a security light showing the new design;

FIG. 2 is a rear perspective view of the security light design of FIG. 1;

FIG. 3 is a front view of the security light design of FIG. 1;

FIG. 4 is a rear view of the security light design of FIG. 1;

FIG. 5 is a top view of the security light design of FIG. 1;

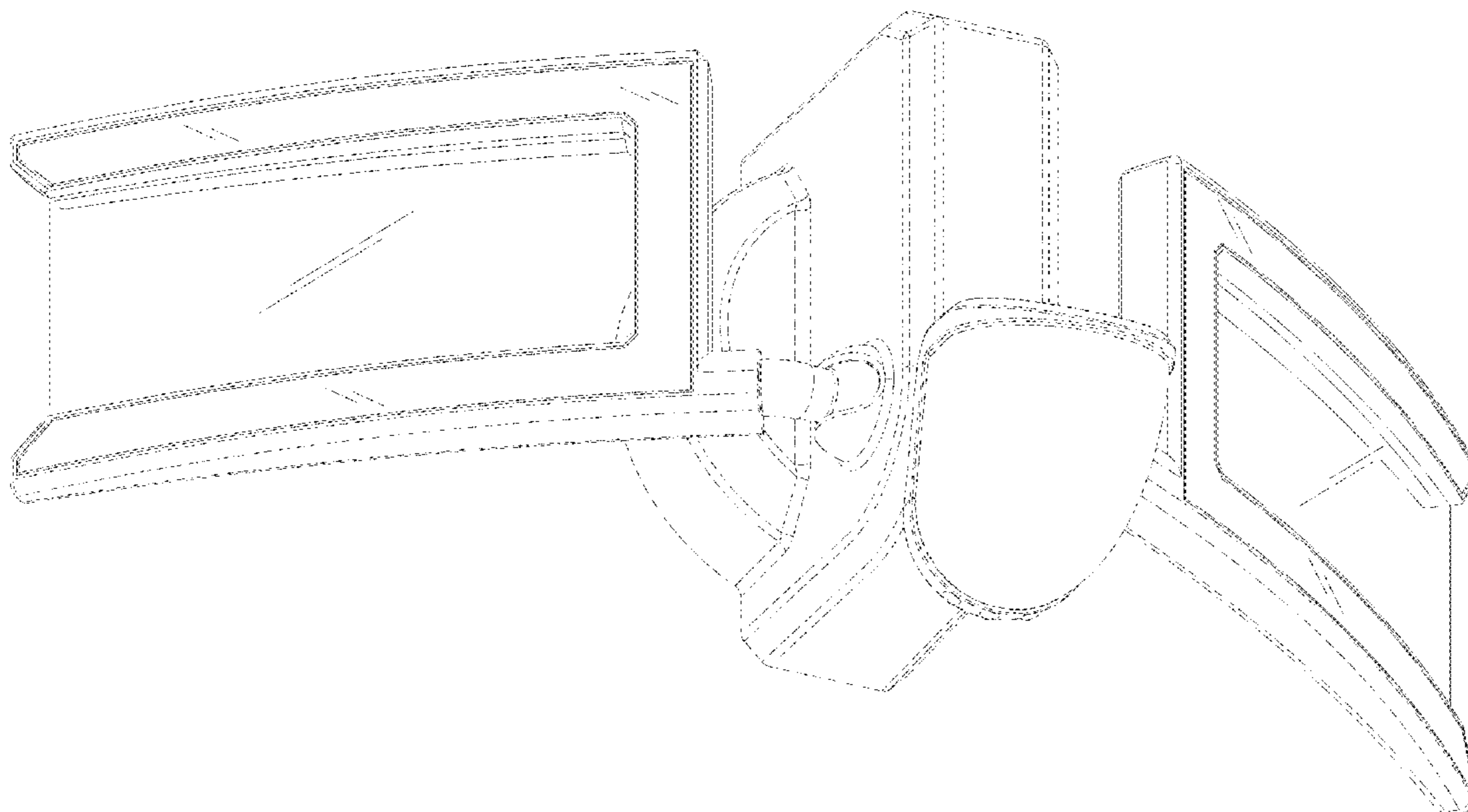
FIG. 6 is a bottom view of the security light design of FIG. 1;

FIG. 7 is a left side view of the security light design of FIG. 1; and,

FIG. 8 is a right side view of the security light design of FIG. 1.

The broken lines depict portions of the security light that form no part of the claimed design.

**1 Claim, 8 Drawing Sheets**



(56)

**References Cited**

U.S. PATENT DOCUMENTS

2015/0312448 A1 10/2015 Stark et al.  
2016/0134819 A1 5/2016 Wu  
2017/0003008 A1 1/2017 Ito

\* cited by examiner

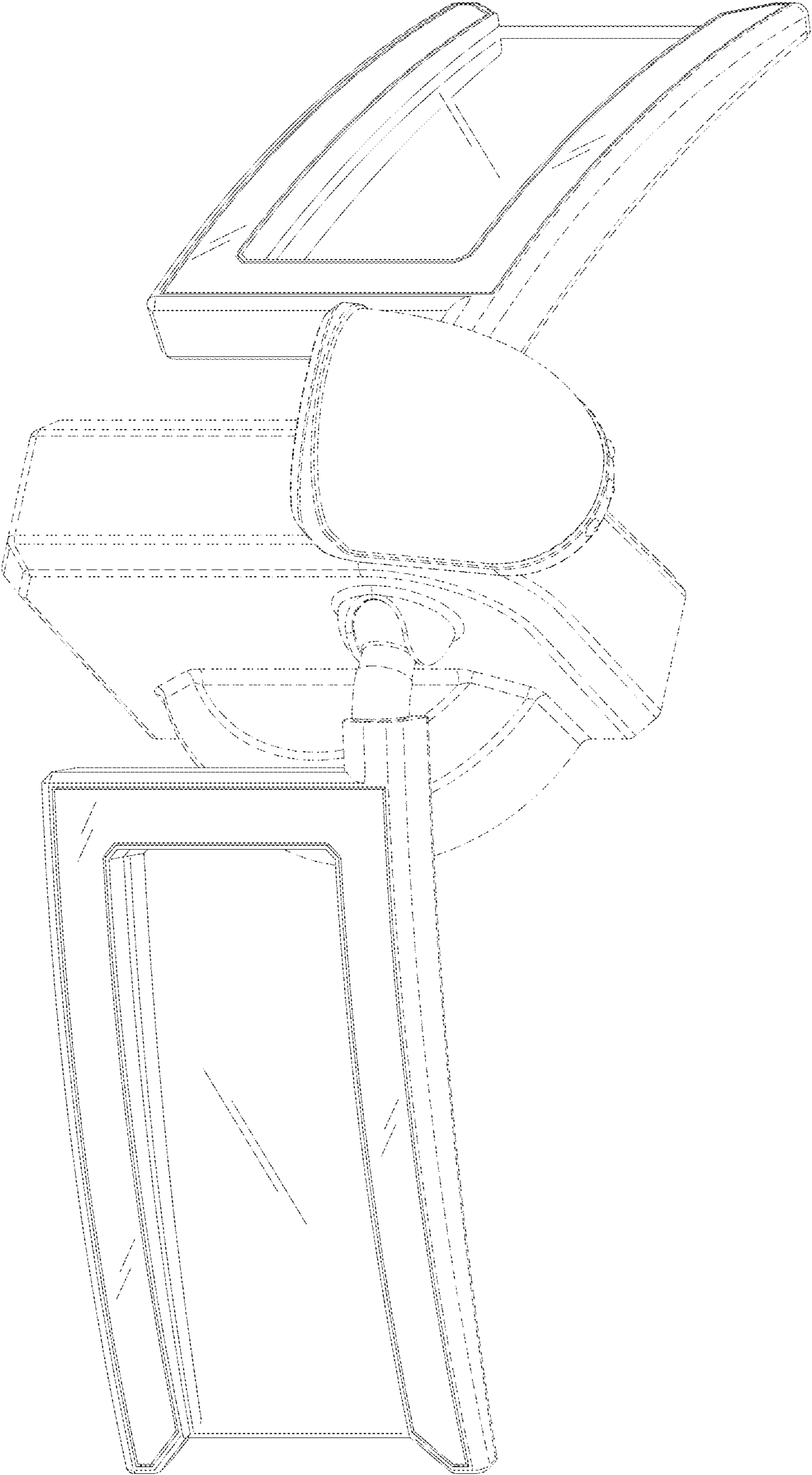


FIG. 1

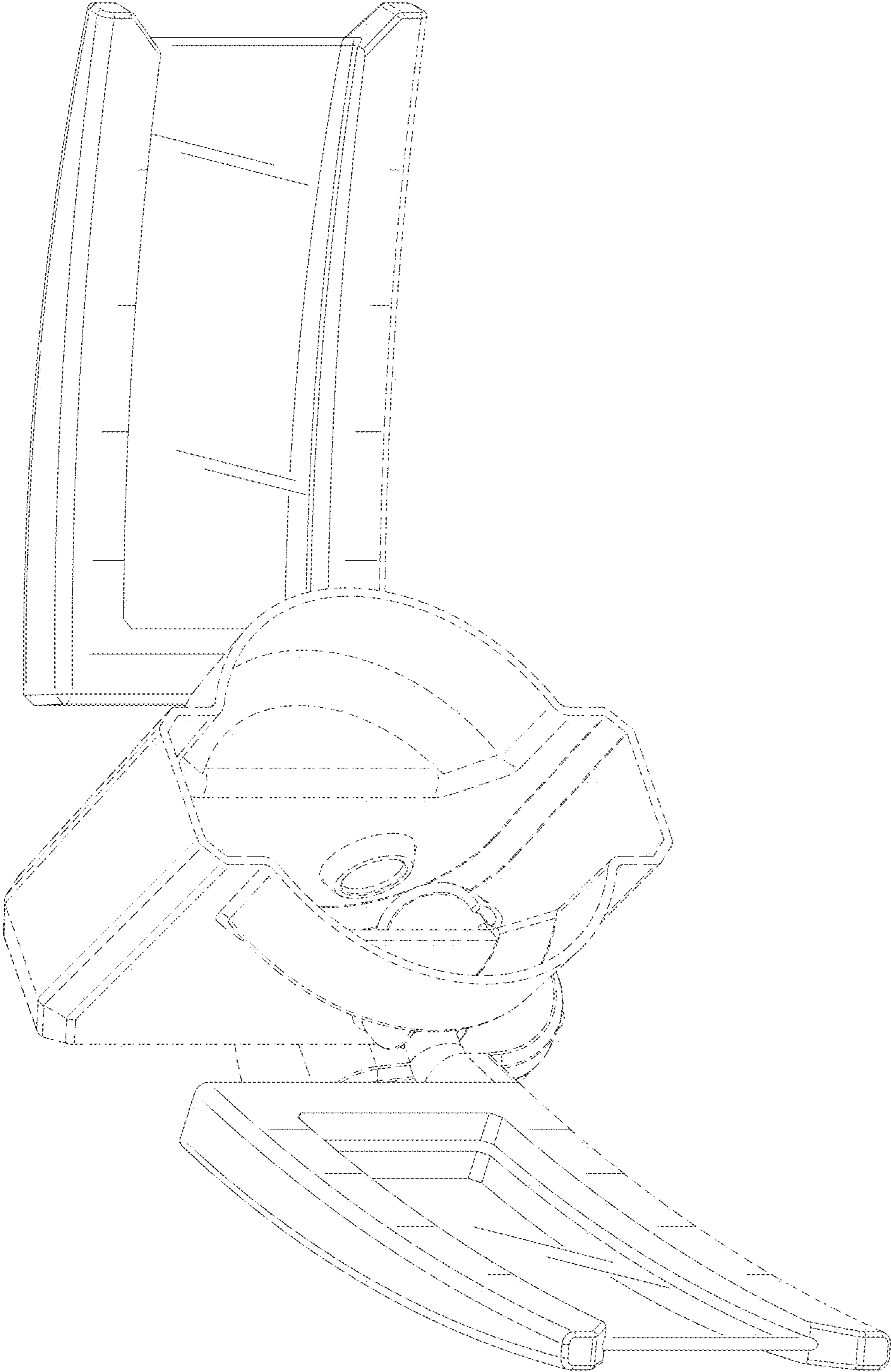


FIG. 2

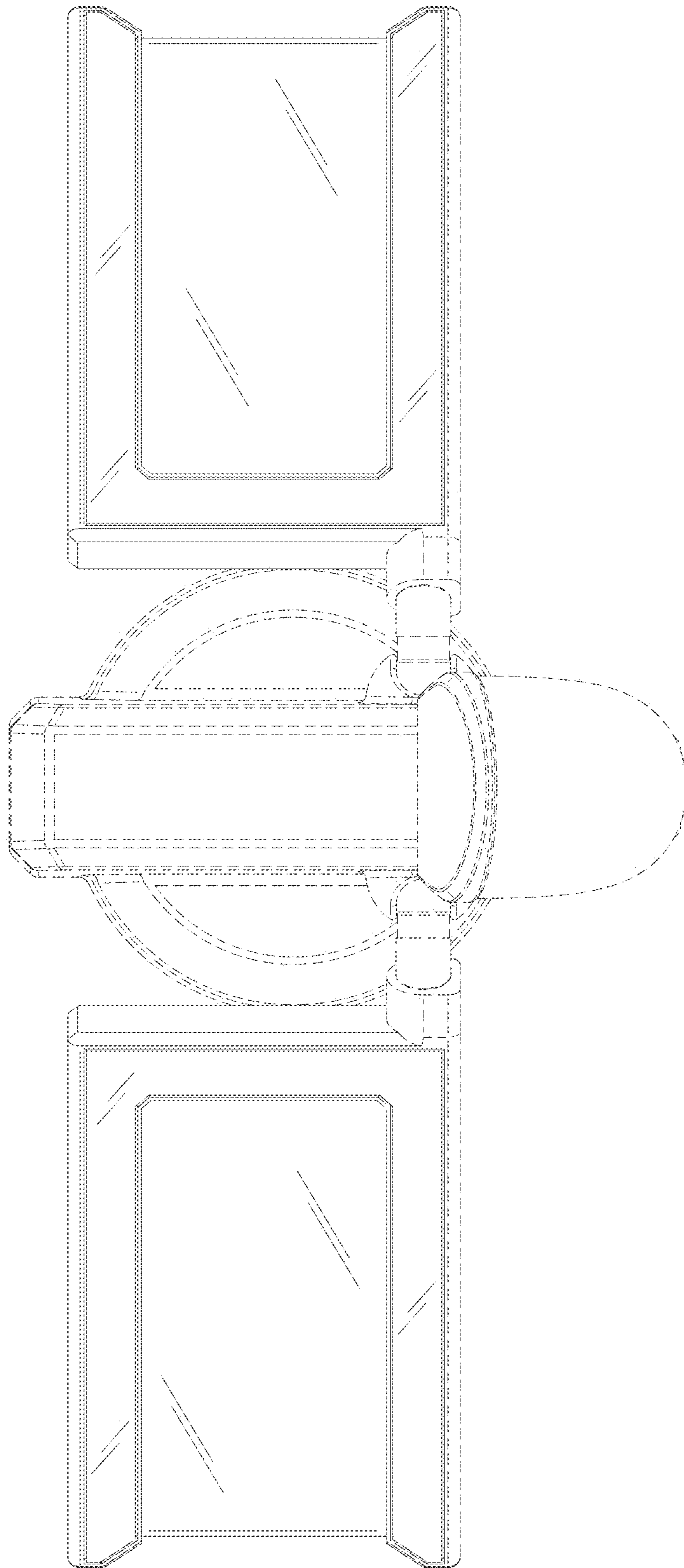


FIG. 3

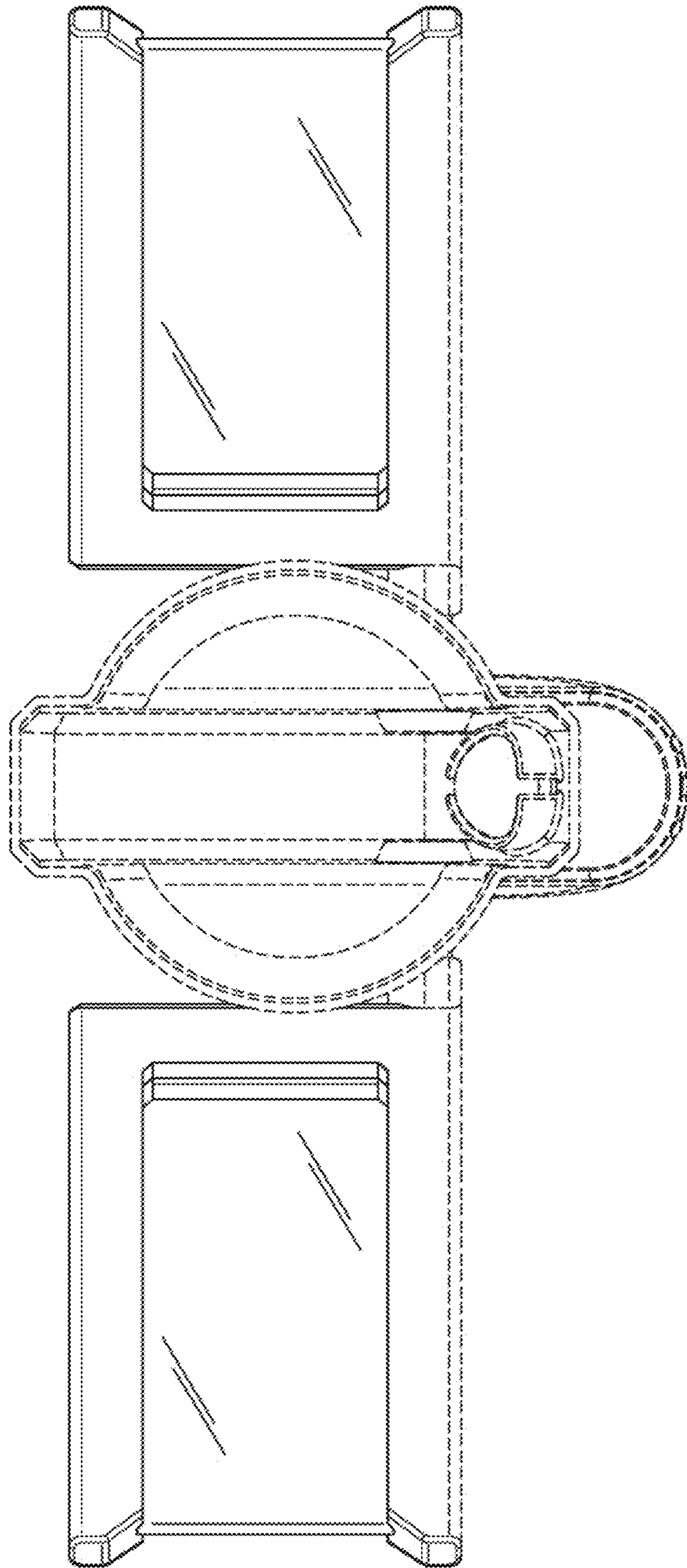


FIG. 4

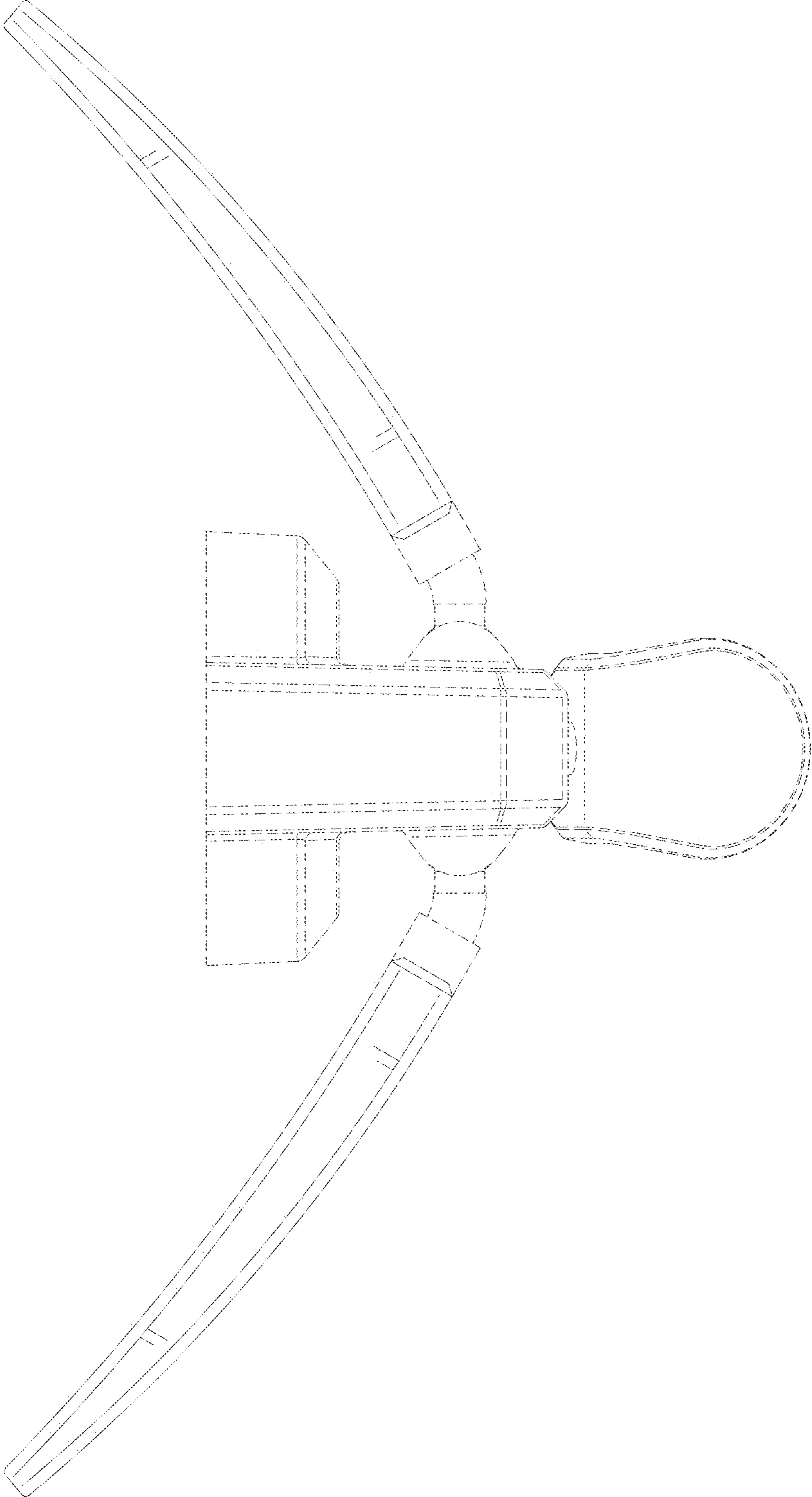


FIG. 5

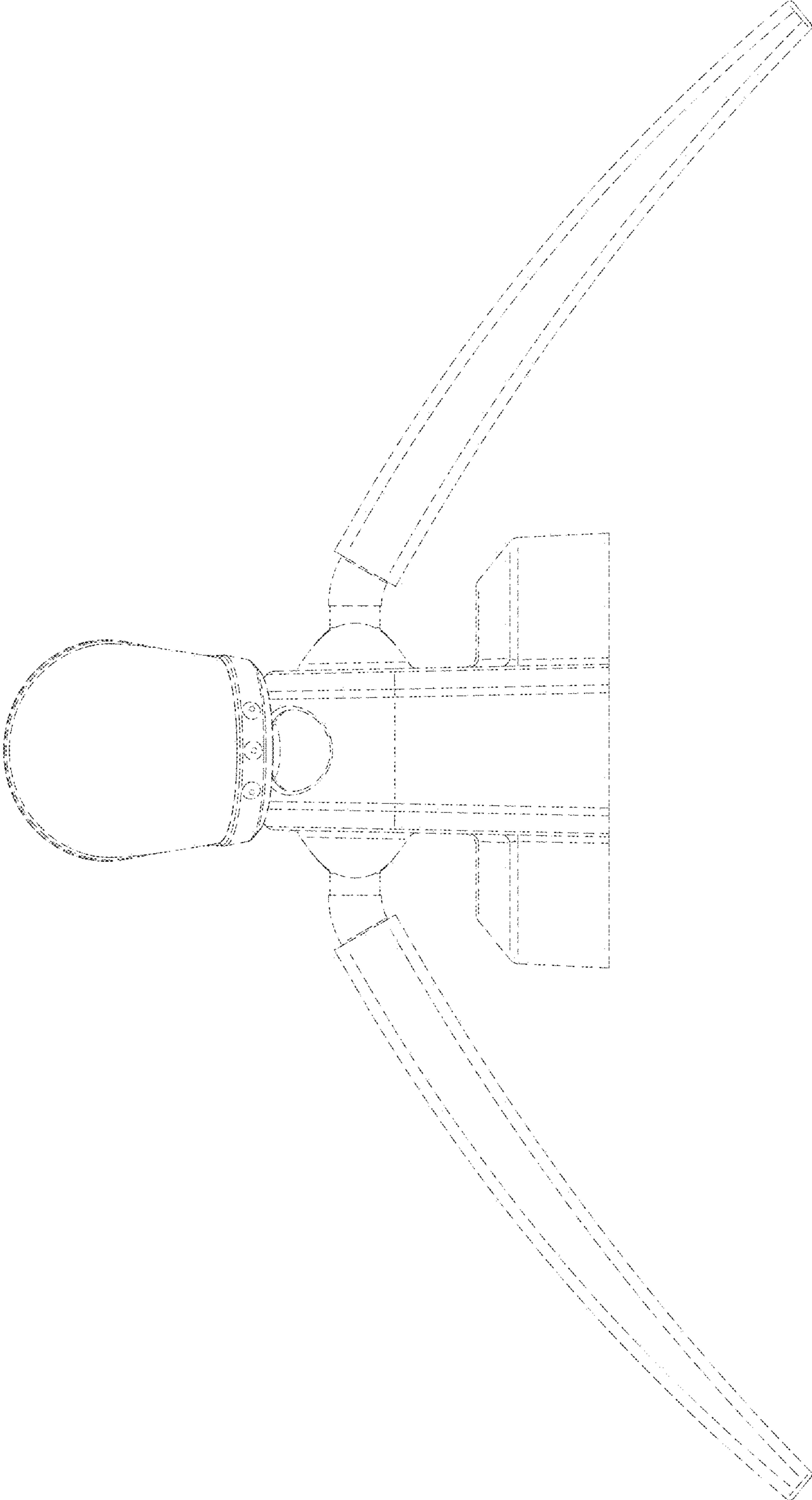


FIG. 6



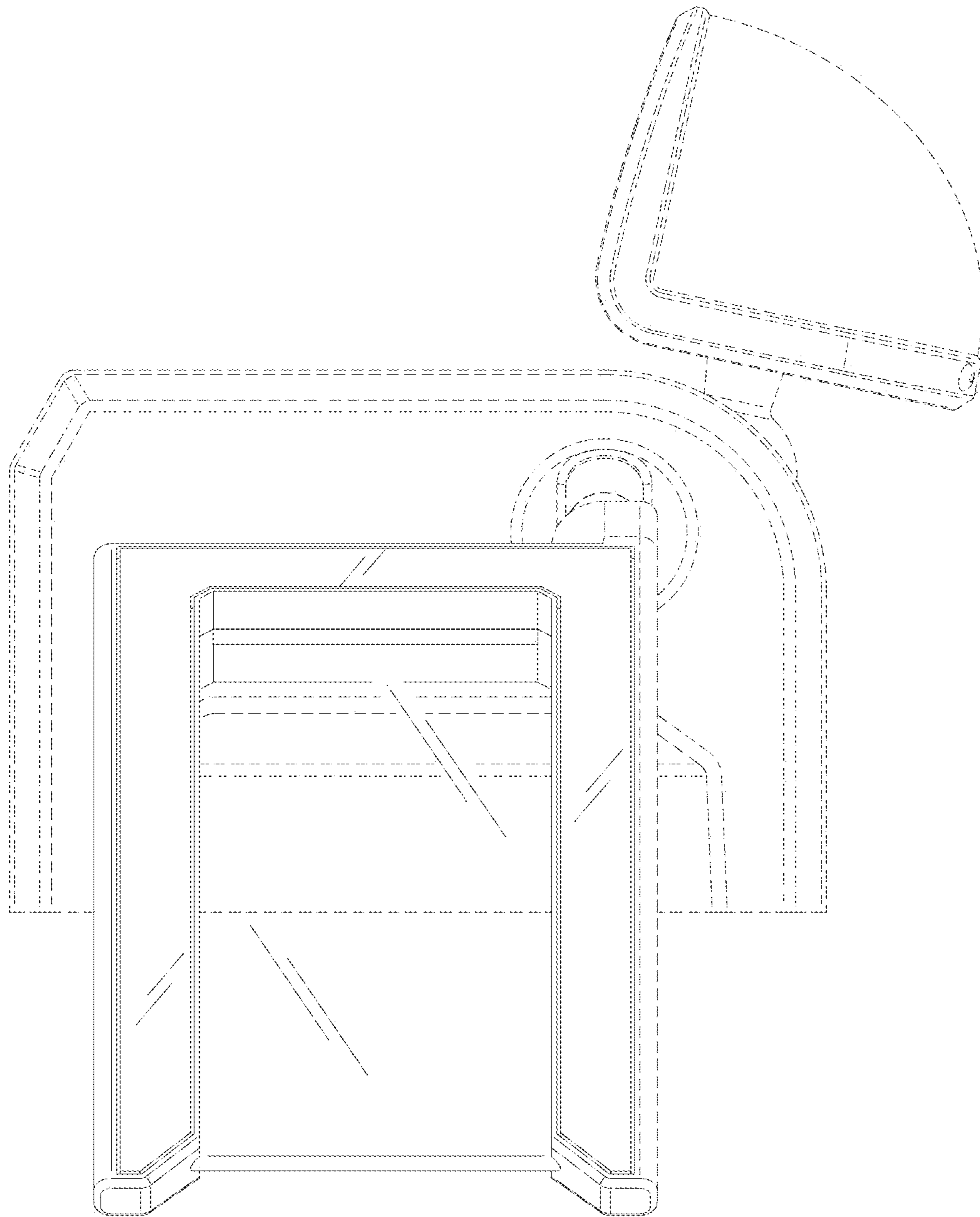


FIG. 7

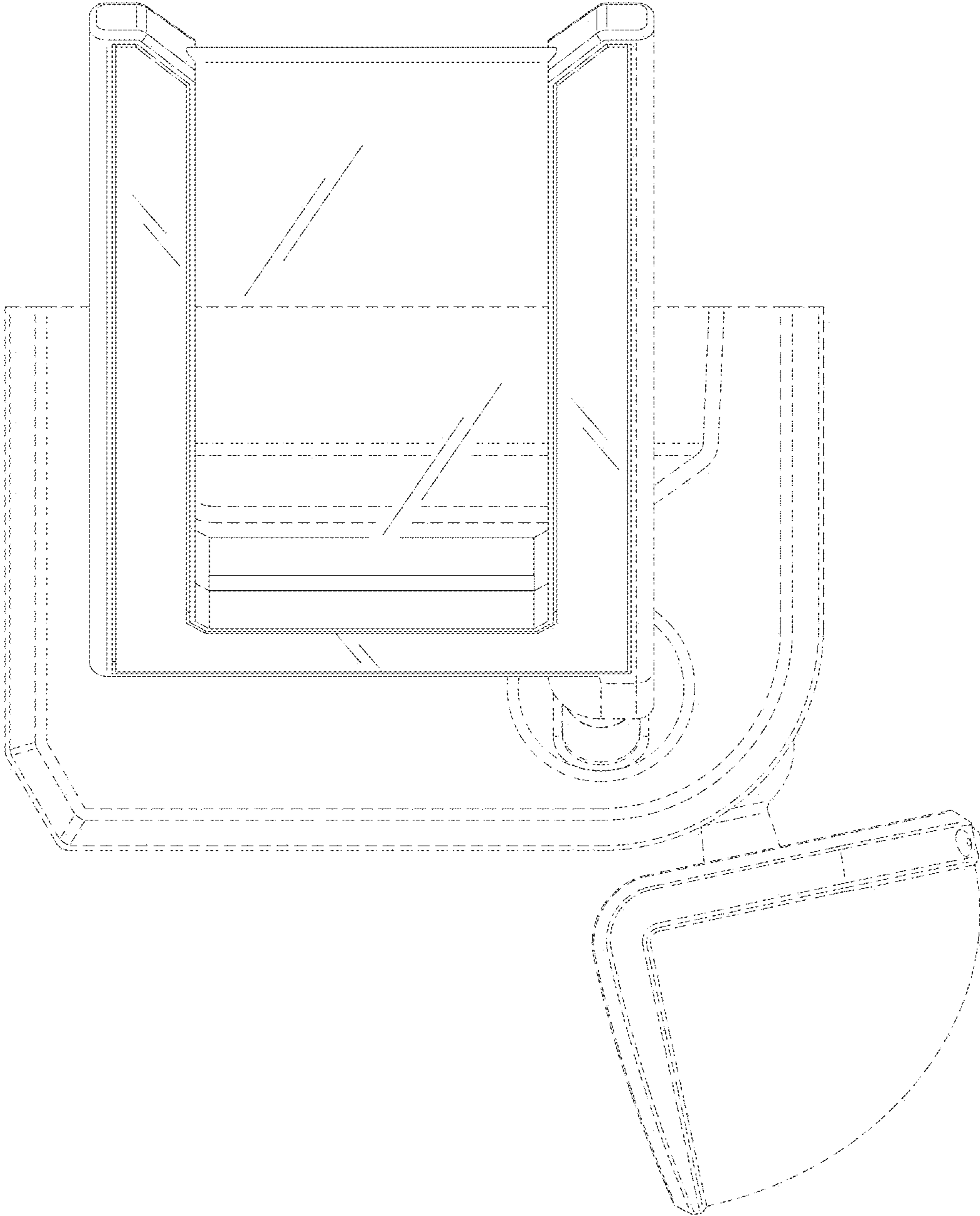


FIG. 8