



US00D939747S

(12) **United States Design Patent** (10) **Patent No.:** **US D939,747 S**
Xu (45) **Date of Patent:** **** Dec. 28, 2021**

(54) **HEADLAMP**

(71) Applicant: **Xin Xu**, Zhejiang (CN)

(72) Inventor: **Xin Xu**, Zhejiang (CN)

(**) Term: **15 Years**

(21) Appl. No.: **29/717,504**

(22) Filed: **Dec. 18, 2019**

(51) **LOC (13) Cl.** **26-02**

(52) **U.S. Cl.**
USPC **D26/39**
CPC **F21L 4/00** (2013.01)

(58) **Field of Classification Search**
USPC D26/37-51
CPC F21L 2003/00; F21L 4/005; F21L 4/025;
F21L 4/027; F21L 4/04; F21L 4/08; F21L
13/00; F21L 13/08; F21L 14/02; F21L
19/00; F21L 2/00; F21L 4/00-4/085;
F21L 15/00-15/14; F21L 2001/00; F21L
2005/00; F21L 25/00

See application file for complete search history.

(56) **References Cited**

U.S. PATENT DOCUMENTS

D533,954 S	*	12/2006	Opolka	D26/39
D583,971 S	*	12/2008	Castellucci	D26/39
D680,250 S	*	4/2013	Opolka	D26/39
D750,823 S	*	3/2016	Sharrah	D26/39
D750,824 S	*	3/2016	Bonang	D26/39
D867,640 S	*	11/2019	Windom	D26/39
D878,649 S	*	3/2020	Kunzendorf	D26/39
D887,602 S	*	6/2020	Kunzendorf	D26/39
D888,302 S	*	6/2020	Boddaert	D26/39

* cited by examiner

Primary Examiner — Richard E Chilcot

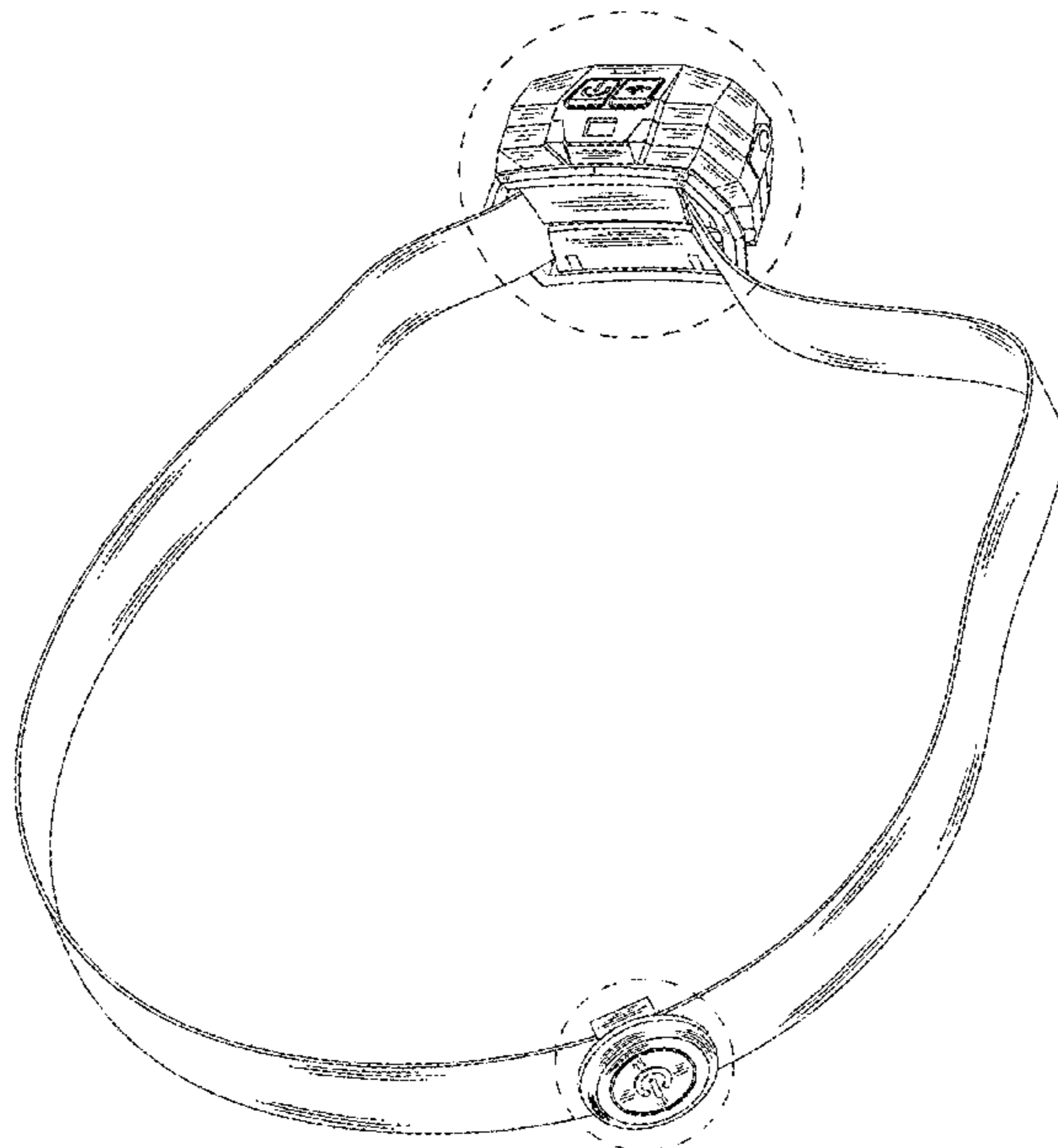
(57) **CLAIM**

The ornamental design for a headlamp, as shown and described.

DESCRIPTION

FIG. 1 is a perspective view of a headlamp showing my new design;
 FIG. 2 is a front elevation view thereof;
 FIG. 3 is a rear elevation view thereof;
 FIG. 4 is a left side elevation view thereof;
 FIG. 5 is a right side elevation view thereof;
 FIG. 6 is a top plan view thereof;
 FIG. 7 is a bottom plan view thereof;
 FIG. 8 is an enlarged view of the headlamp taken from the circled portion in FIG. 1;
 FIG. 9 is an enlarged view of the headlamp taken from the circled portion in FIG. 1;
 FIG. 10 is an enlarged view of the headlamp taken from the circled portion in FIG. 6;
 FIG. 11 is an enlarged view of the headlamp taken from the circled portion in FIG. 6;
 FIG. 12 is an enlarged view of the headlamp taken from the circled portion in FIG. 7;
 FIG. 13 is an enlarged view of the headlamp taken from the circled portion in FIG. 7;
 FIG. 14 is an enlarged view of the headlamp taken from the circled portion in FIG. 4;
 FIG. 15 is an enlarged view of the headlamp taken from the circled portion in FIG. 4;
 FIG. 16 is an enlarged view of the headlamp taken from the circled portion in FIG. 5;
 FIG. 17 is an enlarged view of the headlamp taken from the circled portion in FIG. 5;
 FIG. 18 is an enlarged view of the headlamp taken from the circled portion in FIG. 3; and,
 FIG. 19 is an enlarged view of the headlamp taken from the circled portion in FIG. 2.
 The broken lines in the drawings are used to encompass the enlarged partial views and areas from where the view are taken, and form no part of the claimed design.

1 Claim, 19 Drawing Sheets



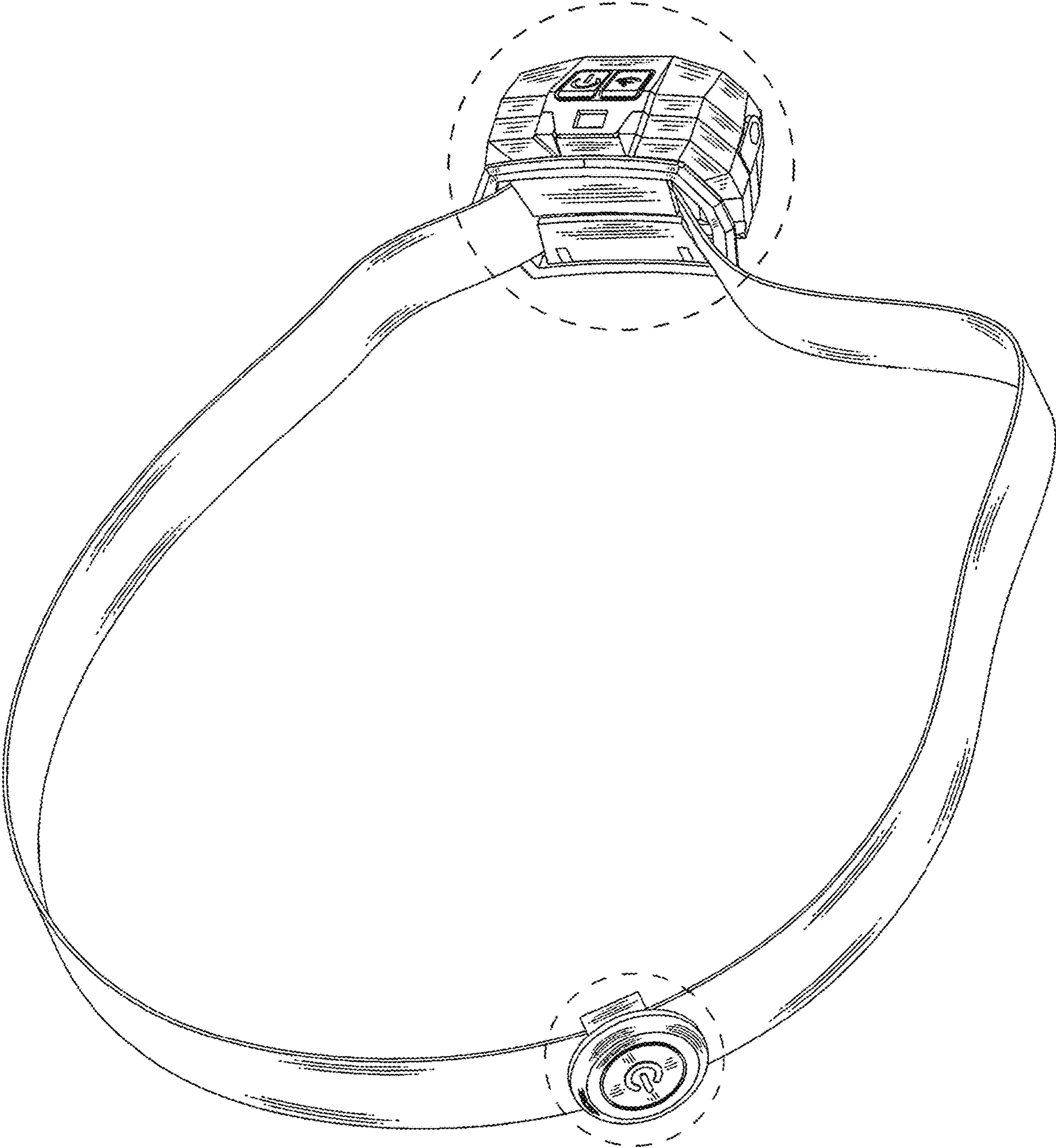


FIG. 1

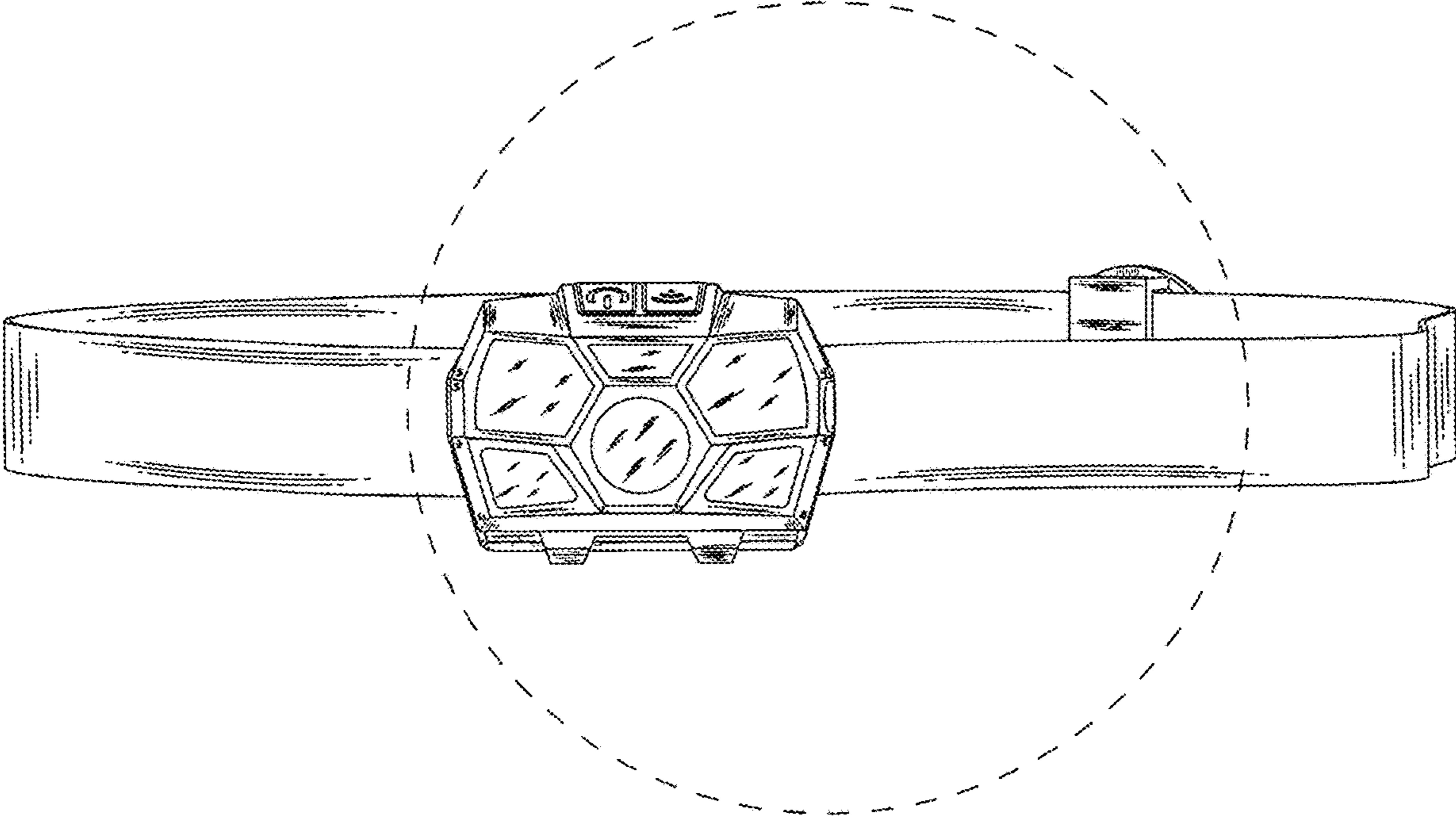


FIG. 2

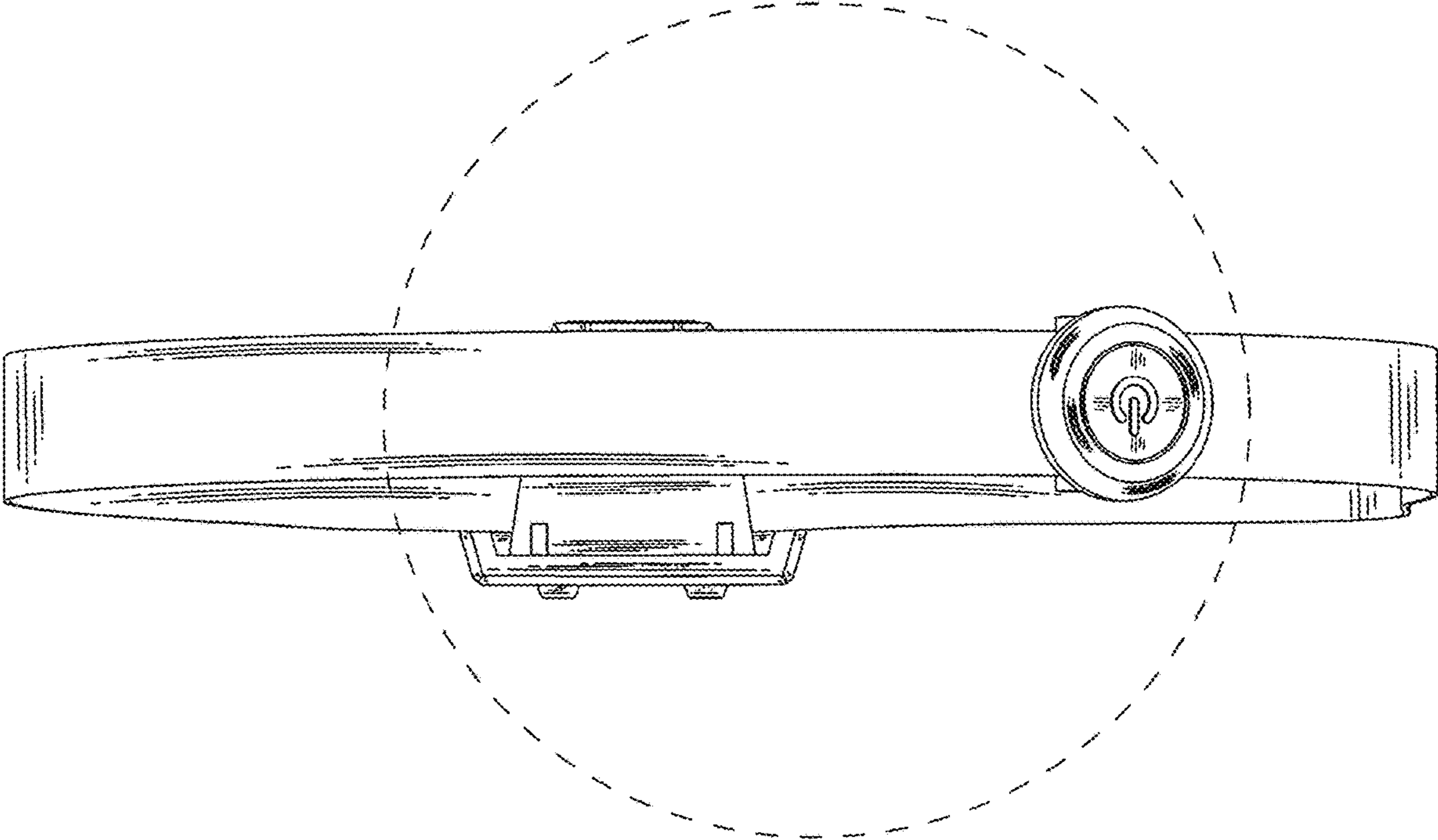


FIG. 3

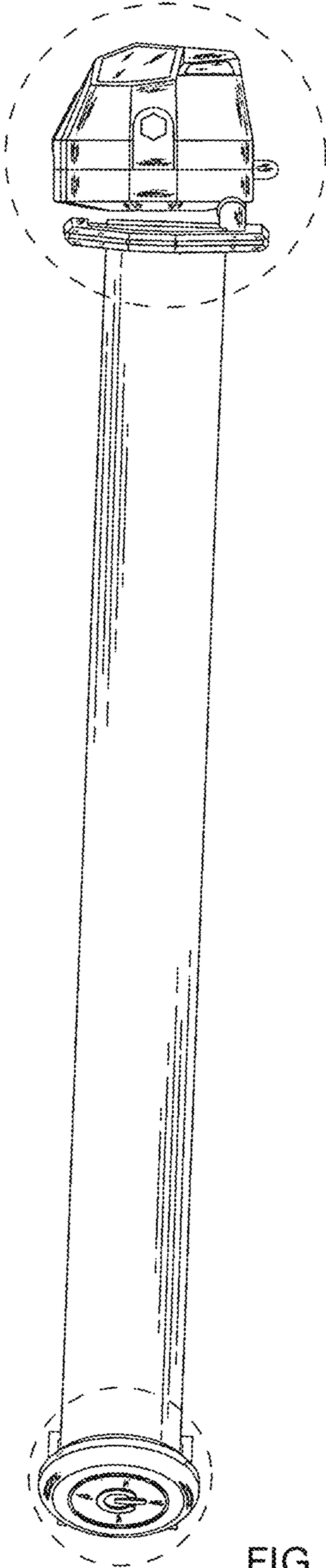


FIG. 4

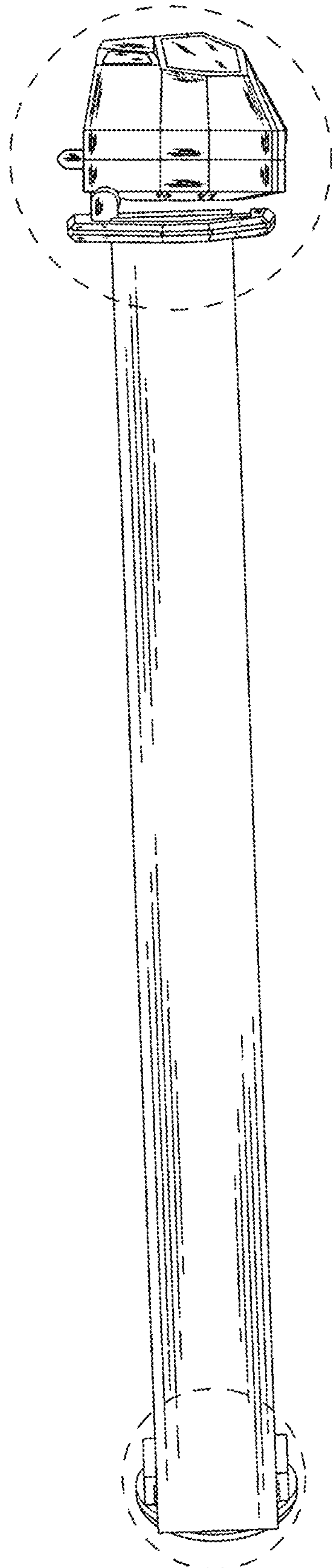


FIG. 5

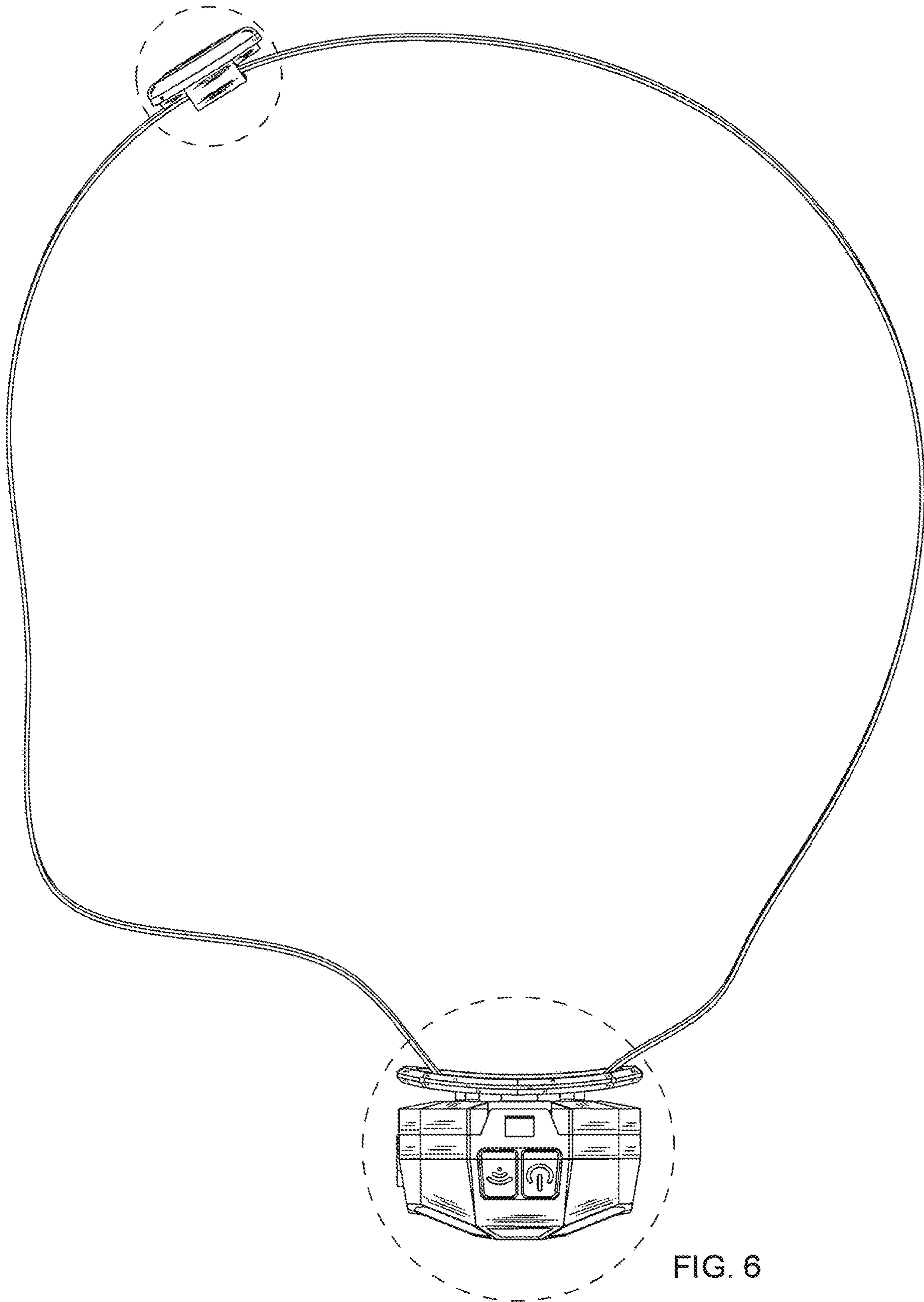


FIG. 6

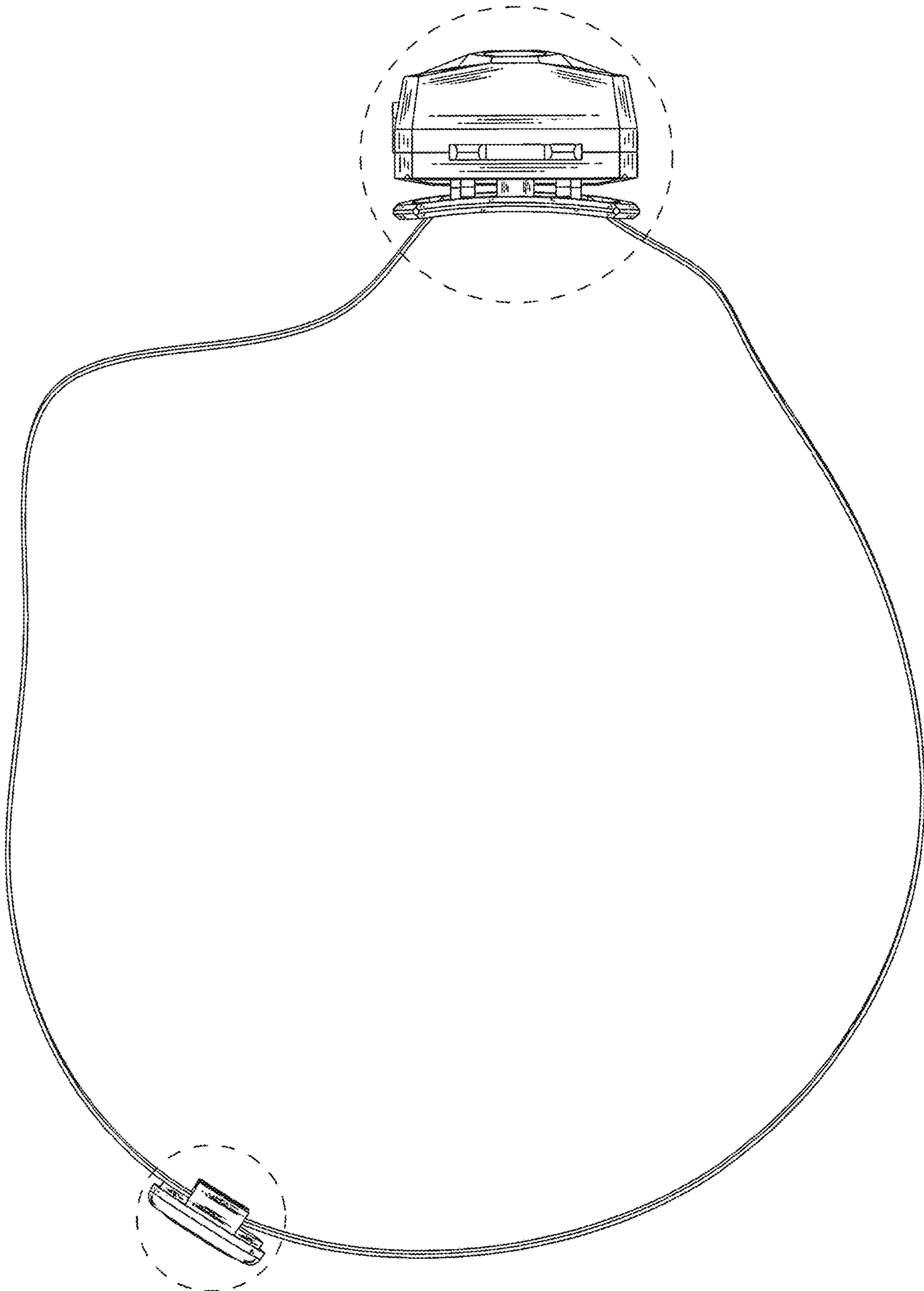


FIG. 7

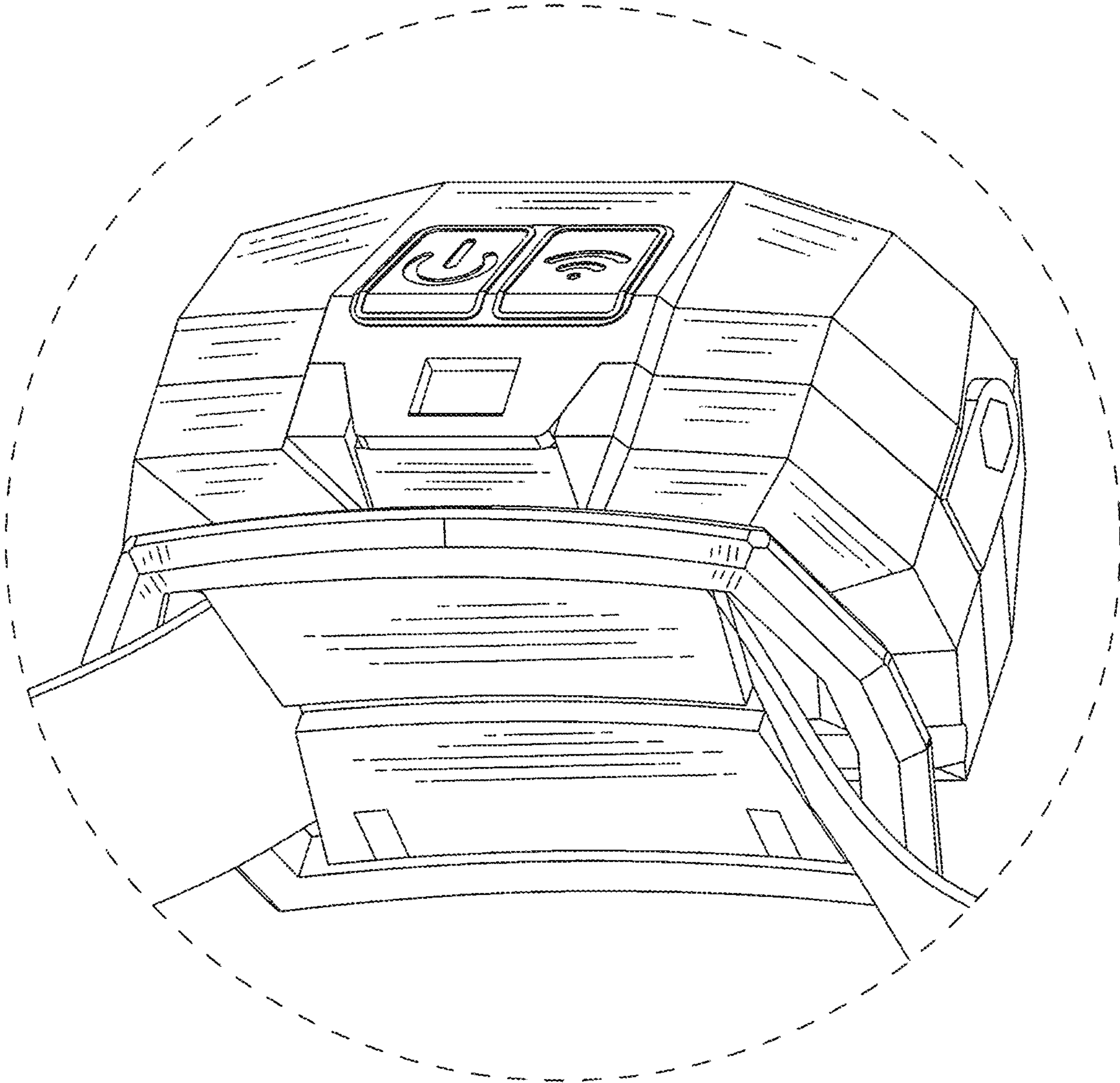


FIG. 8

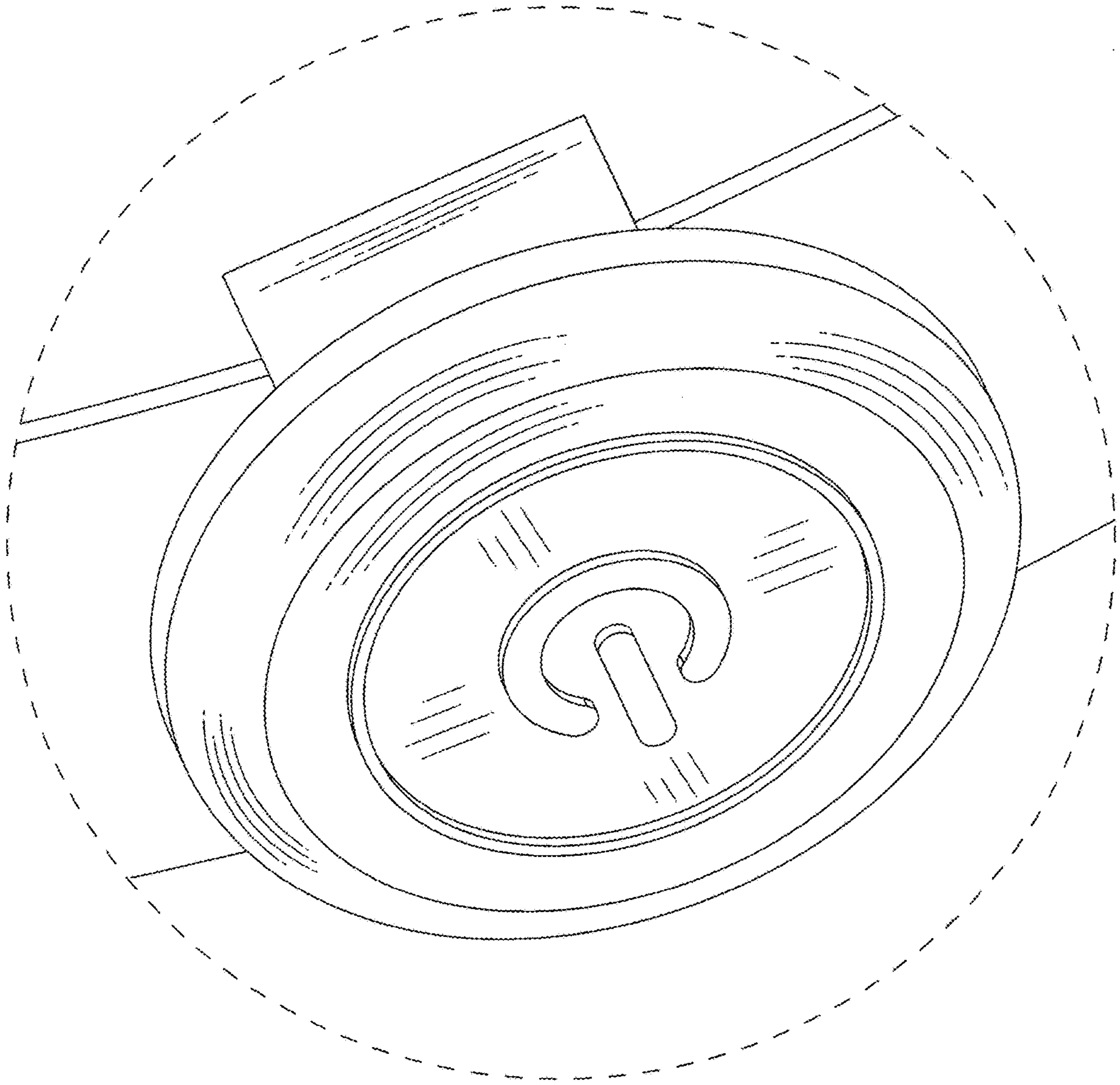


FIG. 9

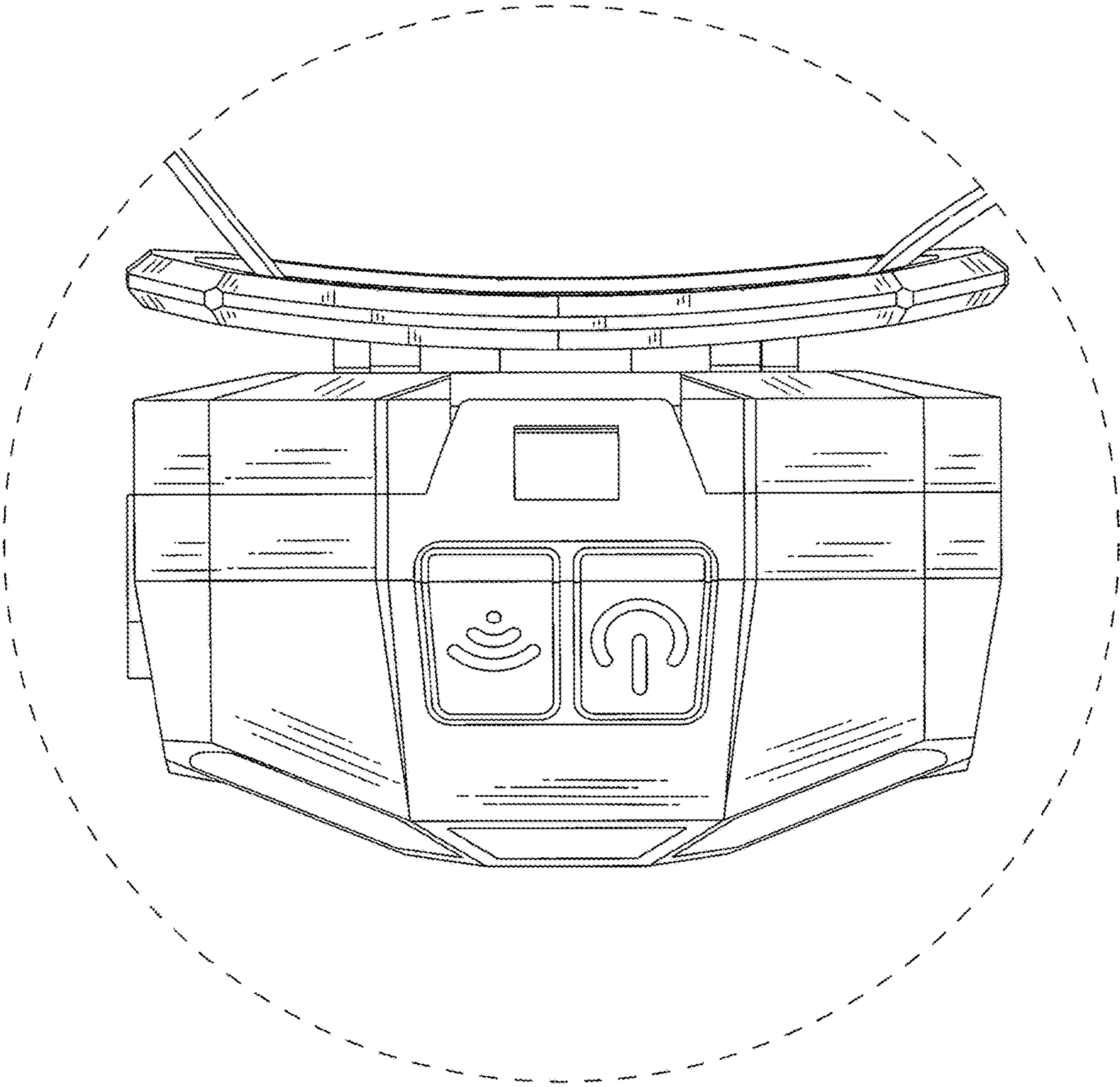


FIG. 10

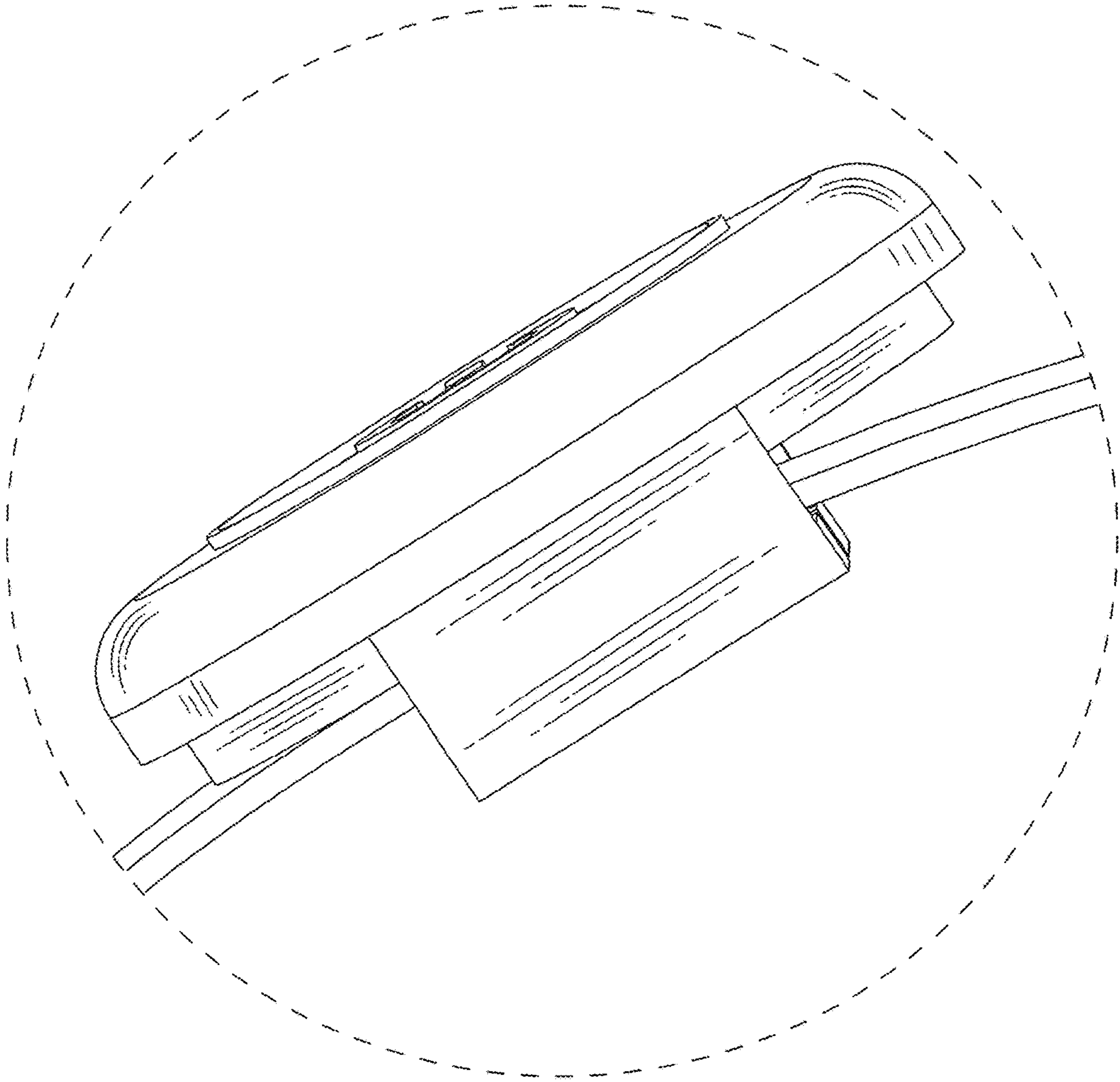


FIG. 11

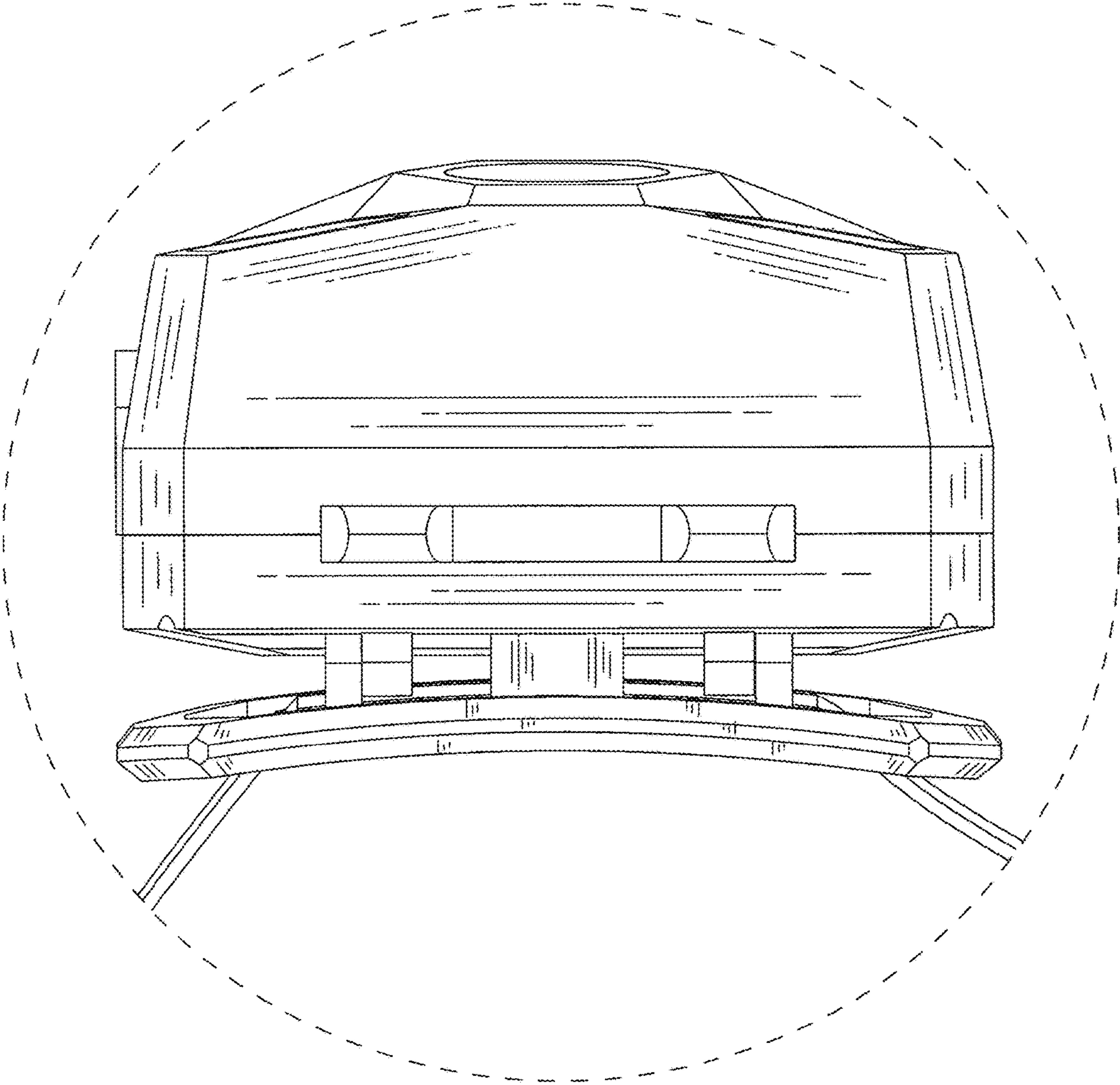


FIG. 12

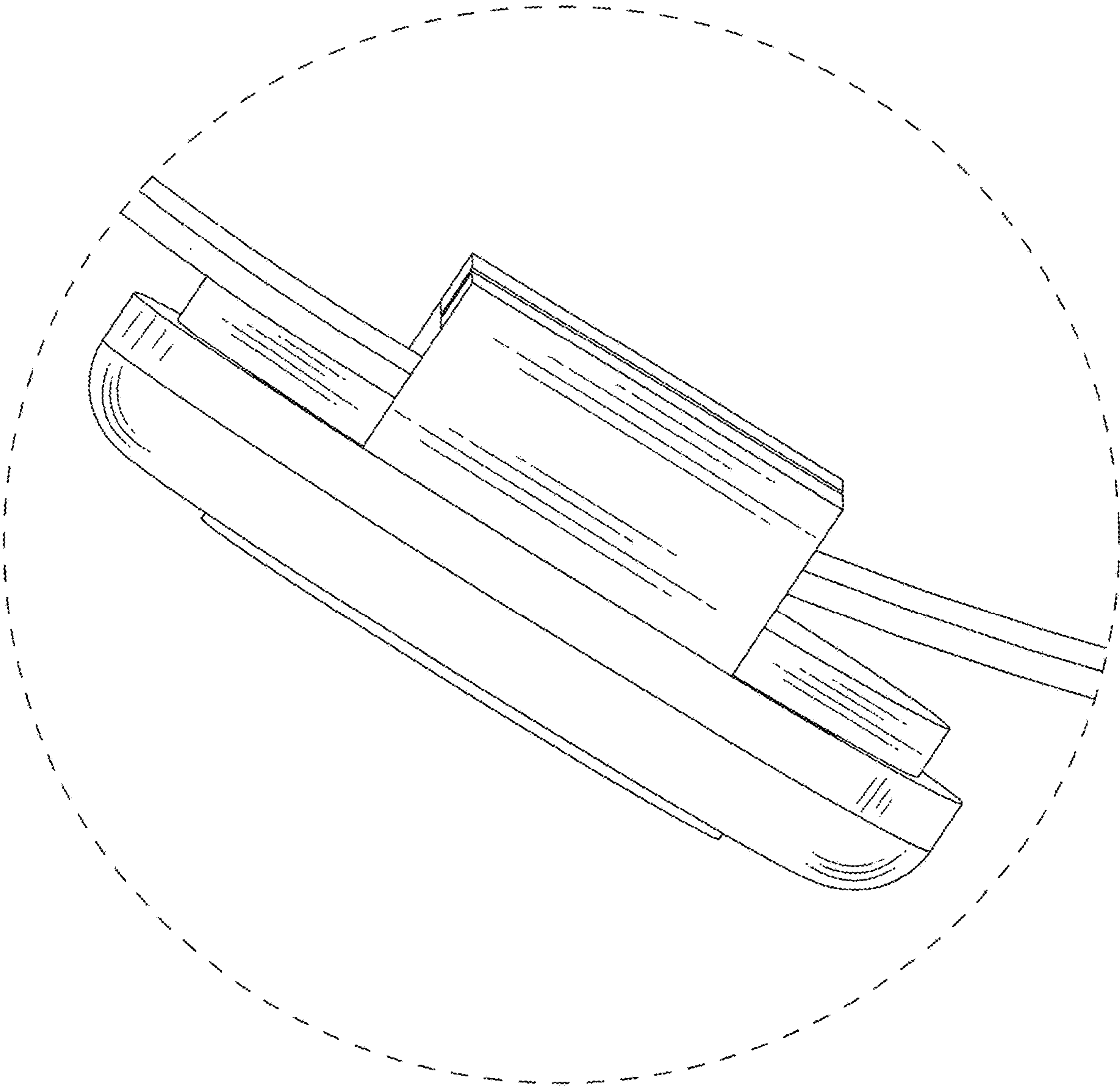


FIG. 13

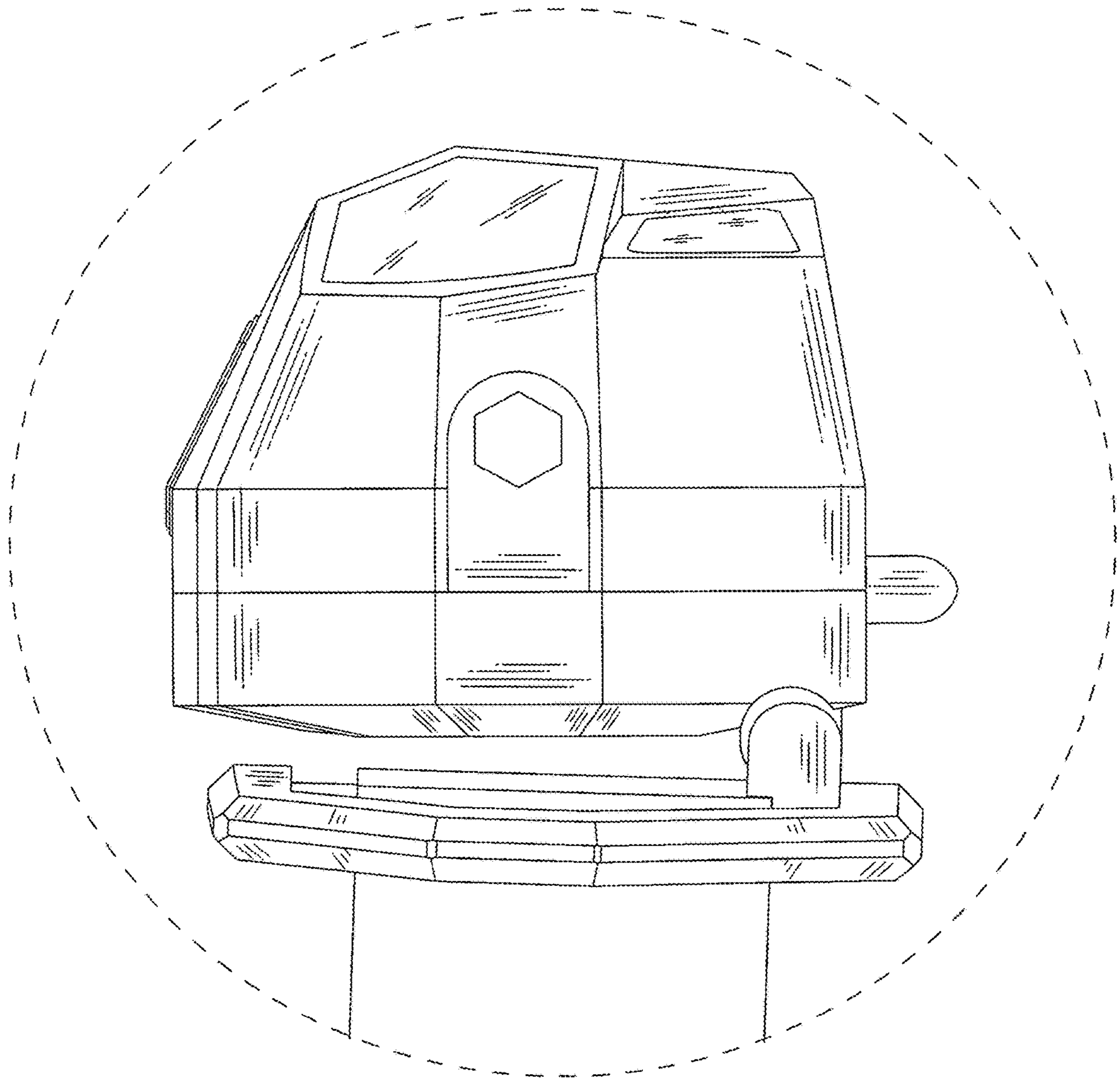


FIG. 14

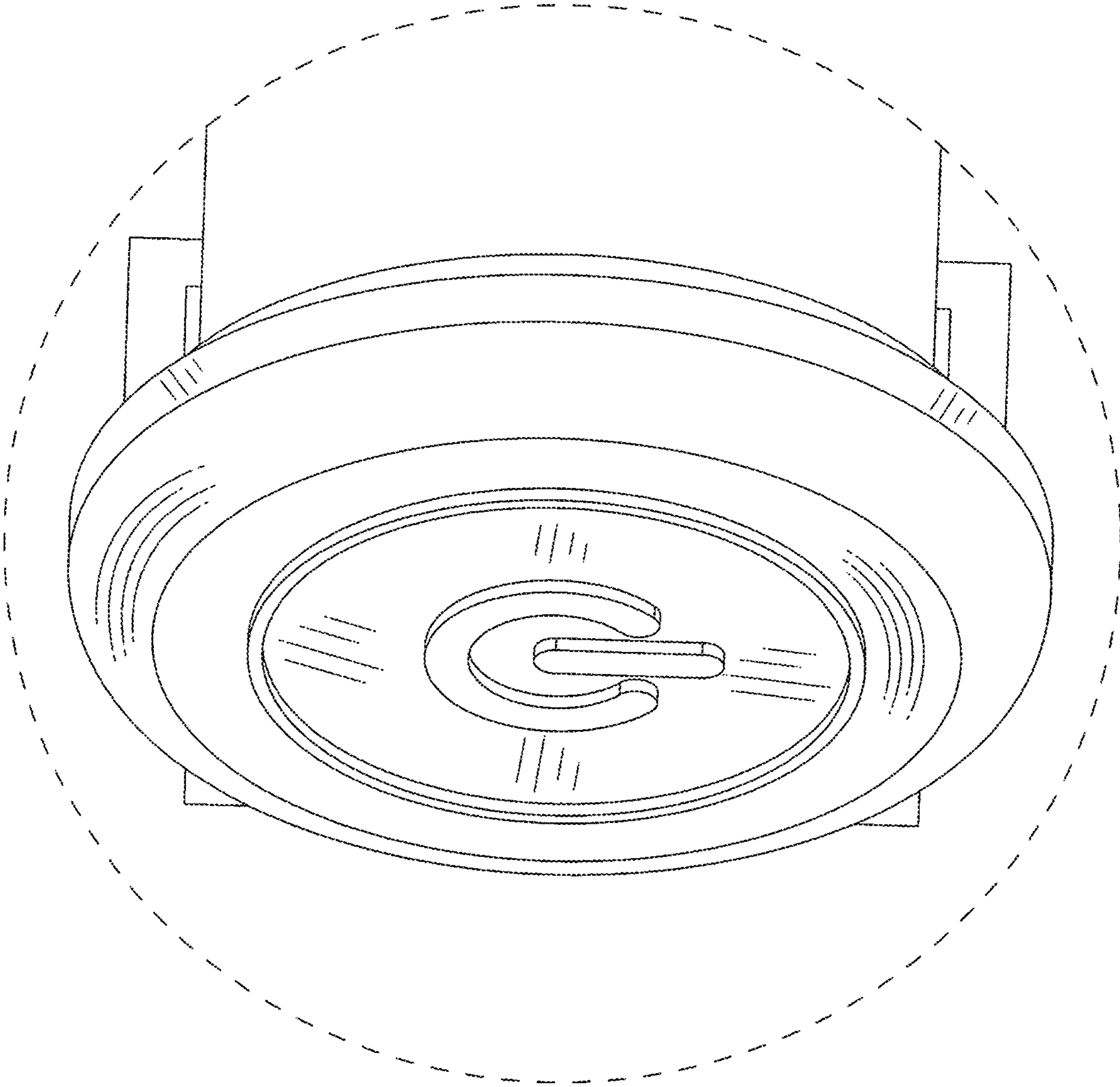


FIG. 15

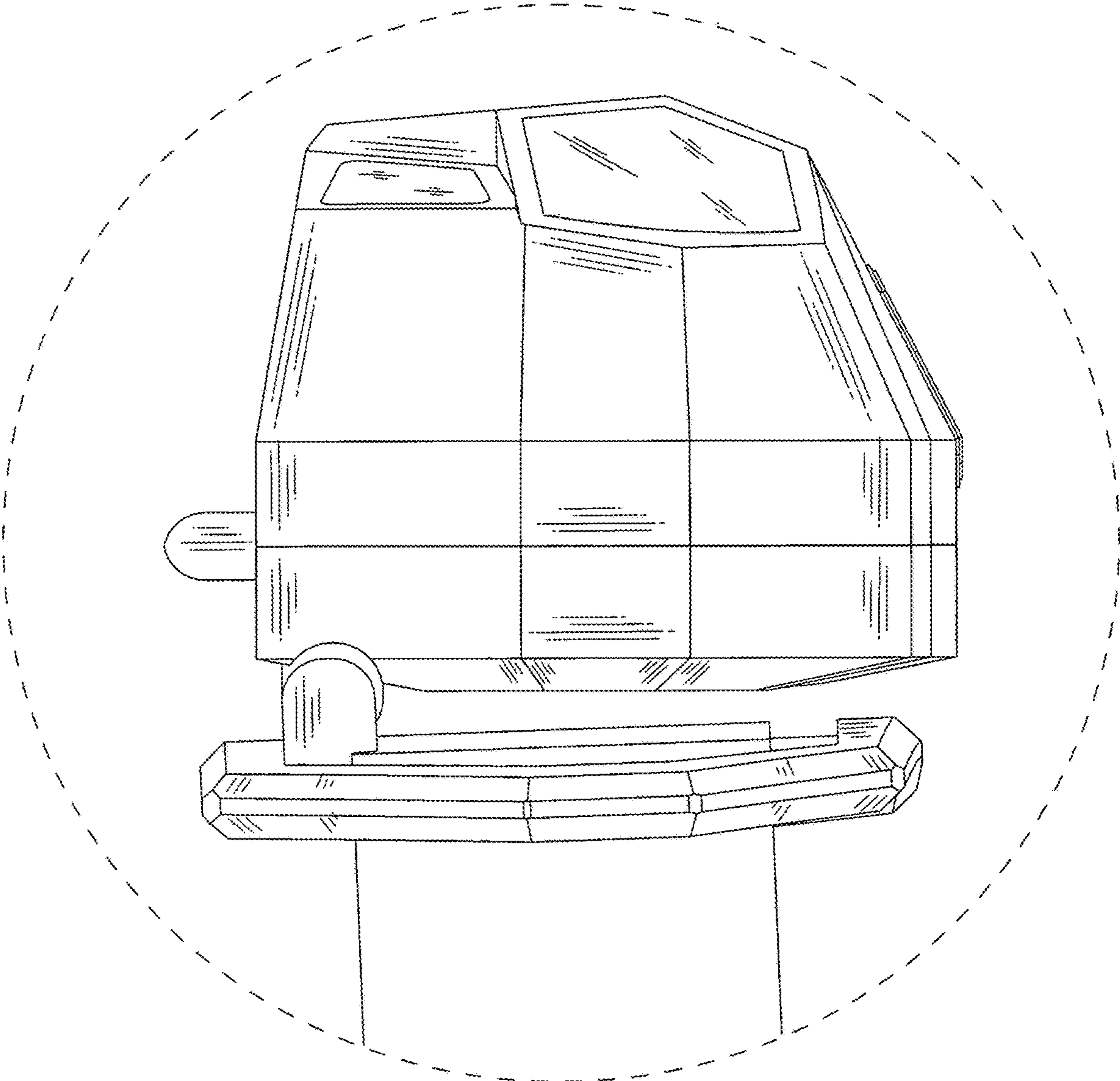


FIG. 16

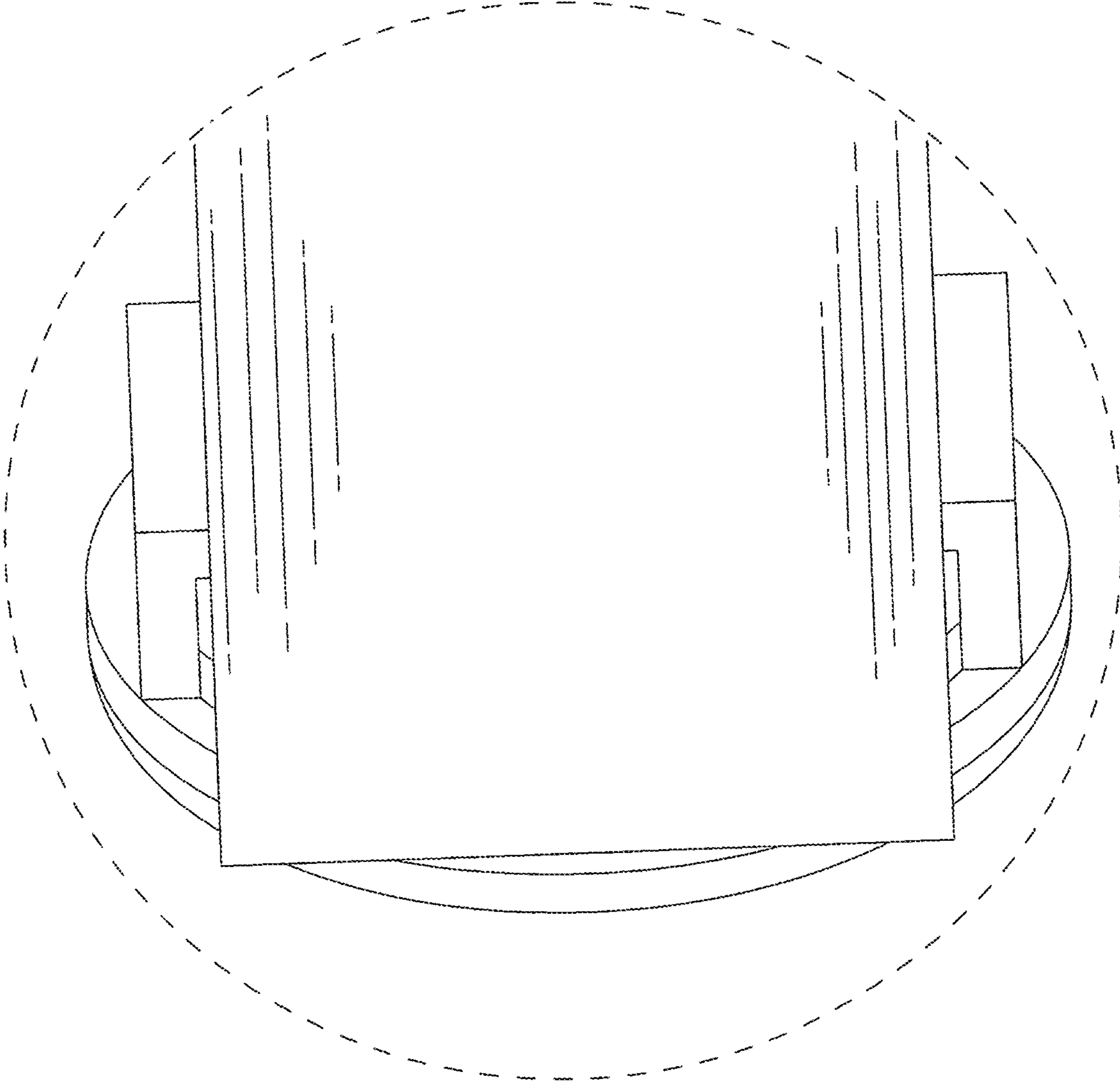


FIG. 17

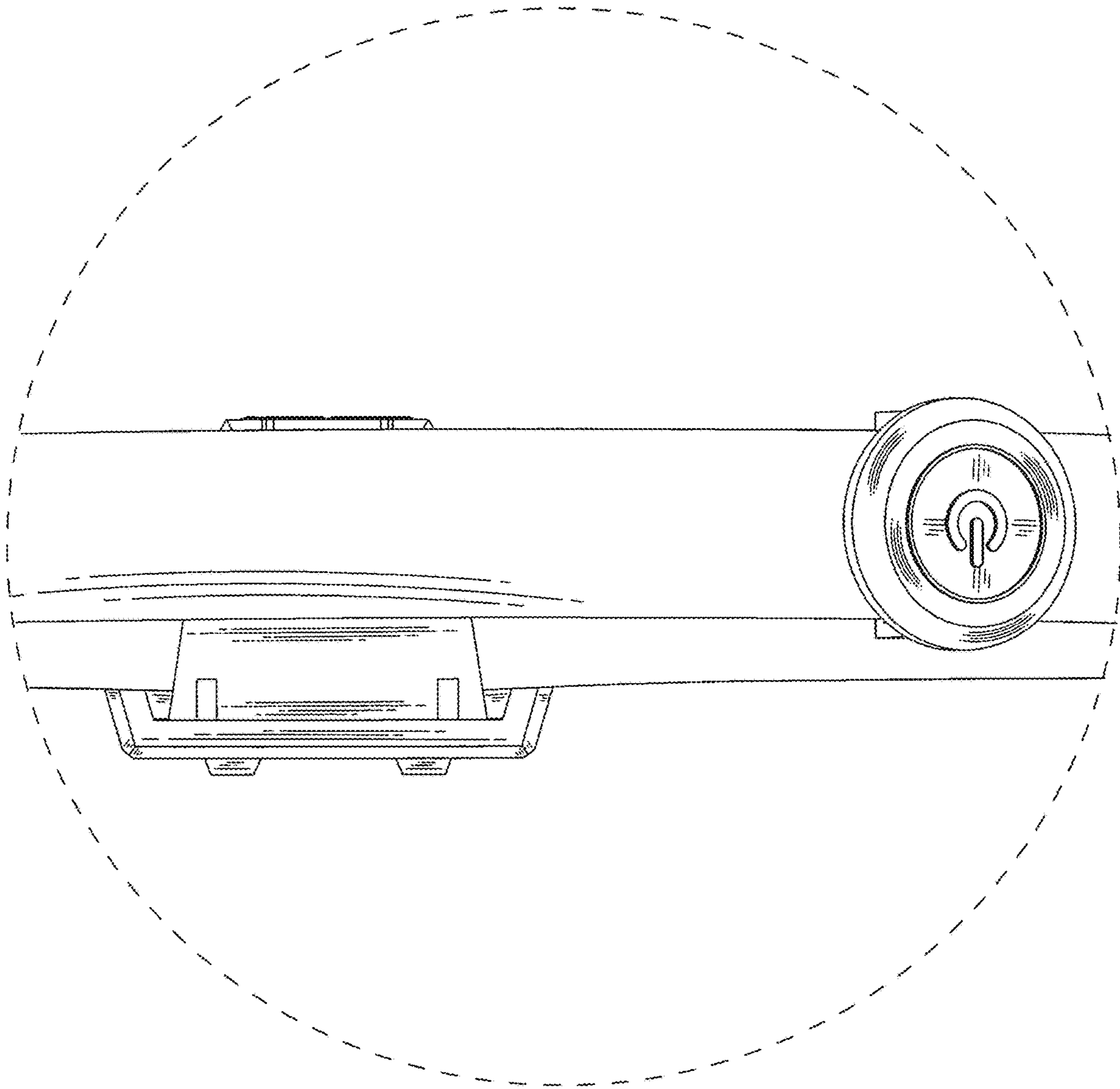


FIG. 18

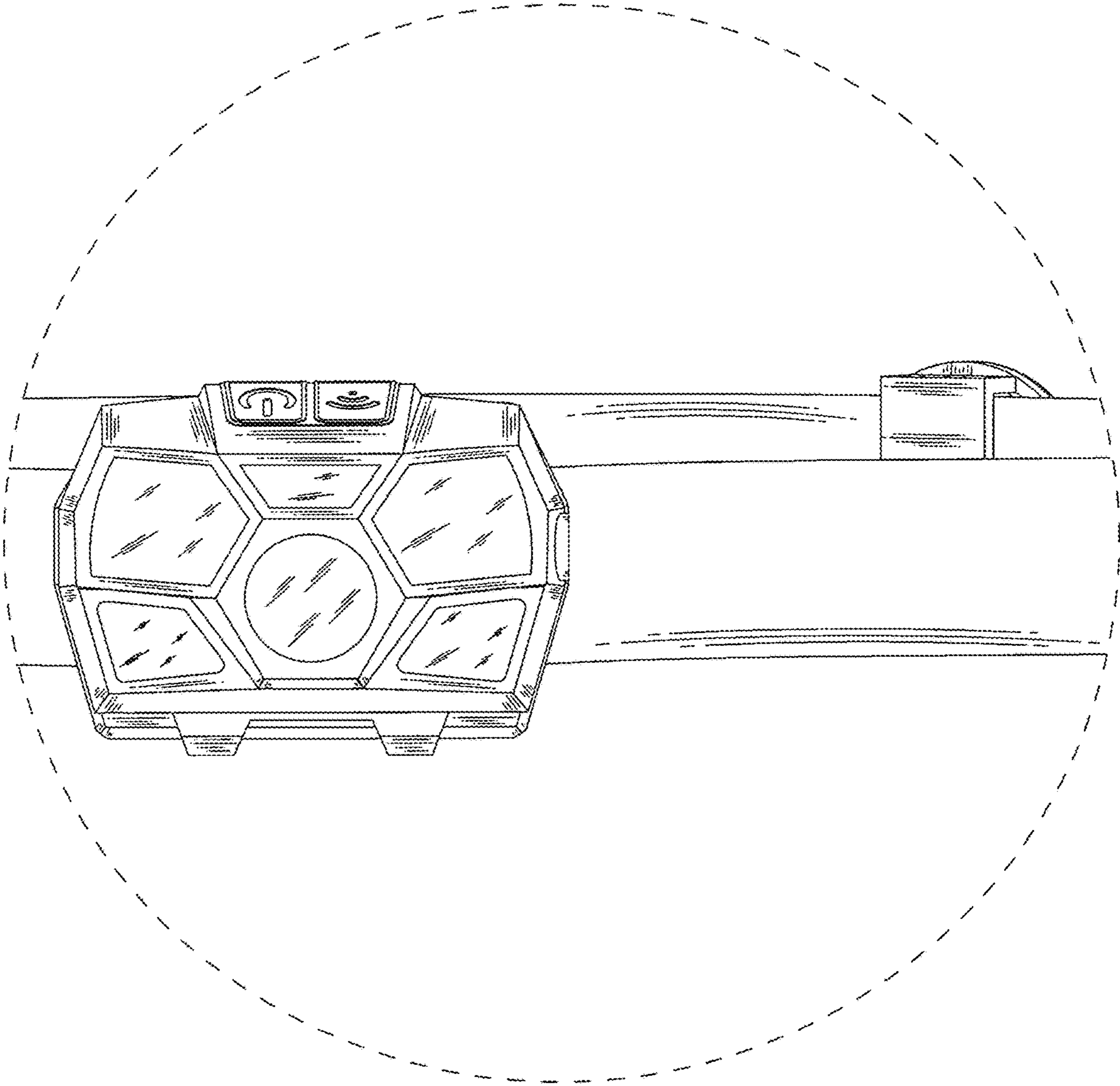


FIG. 19