



US00D939746S

(12) **United States Design Patent**
Xu

(10) **Patent No.:** **US D939,746 S**

(45) **Date of Patent:** **** Dec. 28, 2021**

(54) **HEADLAMP**

(71) Applicant: **Xin Xu**, Zhejiang (CN)

(72) Inventor: **Xin Xu**, Zhejiang (CN)

(**) Term: **15 Years**

(21) Appl. No.: **29/717,499**

(22) Filed: **Dec. 18, 2019**

(51) **LOC (13) Cl.** **26-02**

(52) **U.S. Cl.**

USPC **D26/39**

CPC **F21L 4/00** (2013.01)

(58) **Field of Classification Search**

USPC D26/37-51

CPC F21L 2003/00; F21L 4/005; F21L 4/025;
F21L 4/027; F21L 4/04; F21L 4/08; F21L
13/00; F21L 13/08; F21L 14/02; F21L
19/00; F21L 2/00; F21L 4/00-4/085;
F21L 15/00-15/14; F21L 2001/00; F21L
2005/00; F21L 25/00

See application file for complete search history.

(56) **References Cited**

U.S. PATENT DOCUMENTS

D477,680 S *	7/2003	Petzl	D26/39
D506,846 S *	6/2005	Kang	D26/39
D560,008 S *	1/2008	Poon	D26/39
D566,310 S *	4/2008	Alessio	D26/39
D576,328 S *	9/2008	Poon	D26/39
D577,842 S *	9/2008	Kumthampinij	D26/39
D600,379 S *	9/2009	Petzl	D26/39
D658,323 S *	4/2012	Freschl	D26/39
D703,850 S *	4/2014	Alvarado	D26/39
D726,943 S *	4/2015	Petzl	D26/39
D736,977 S *	8/2015	Petzl	D26/39
D736,979 S *	8/2015	Petzl	D26/39

D762,317 S *	7/2016	Ormsbee	D26/39
D788,337 S *	5/2017	Koshiba	D26/39
D804,695 S *	12/2017	Windom	D26/39
D814,676 S *	4/2018	Windom	D26/39
D821,007 S *	6/2018	Chen	D26/39
D830,601 S *	10/2018	Petzl	D26/39
D830,602 S *	10/2018	Melchior	D26/39
D836,810 S *	12/2018	DeBrunner	D26/39
D845,526 S *	4/2019	Windom	D26/39
D851,307 S *	6/2019	Sharrah	D26/39
D853,002 S *	7/2019	Petzl	D26/39
D872,918 S *	1/2020	Smith	D26/39
D884,234 S *	5/2020	Bao	D26/39

OTHER PUBLICATIONS

Loon Nocturnal Headlamp, [online], site visited Dec. 1, 2020, [available from the internet] URL:< <https://www.aos.cc/en/loon-nocturnal-headlamp.html>>, 2 pages (Year: 2020).*

* cited by examiner

Primary Examiner — Richard E Chilcot

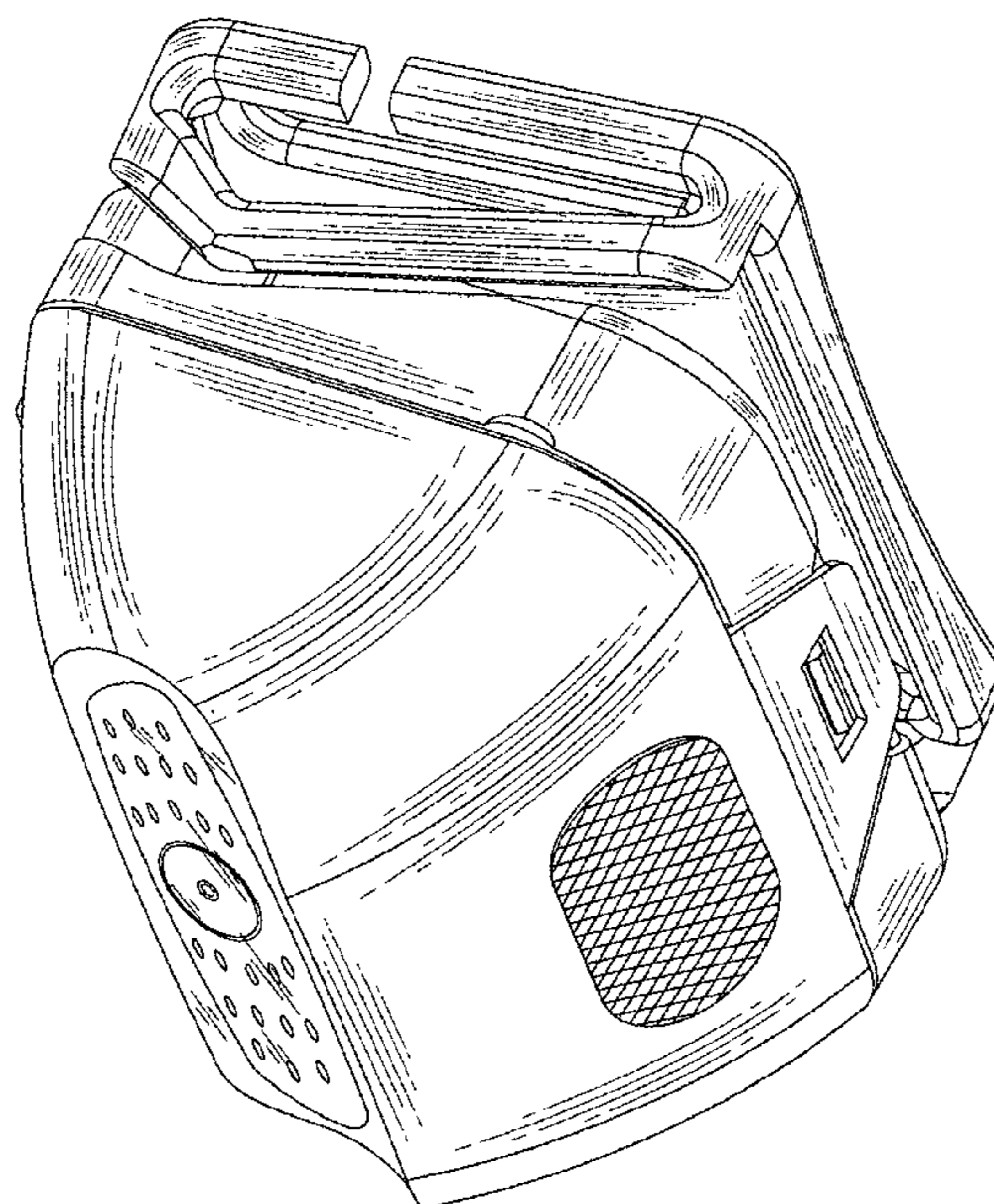
(57) **CLAIM**

The ornamental design for a headlamp, as shown and described.

DESCRIPTION

FIG. 1 is a front, right and top perspective view of a headlamp showing my new design;
FIG. 2 is a rear and bottom perspective view thereof;
FIG. 3 is a front elevation view thereof;
FIG. 4 is a rear elevation view thereof;
FIG. 5 is a left side elevation view thereof;
FIG. 6 is a right side elevation view thereof;
FIG. 7 is a top plan view thereof; and,
FIG. 8 is a bottom plan view thereof.

1 Claim, 8 Drawing Sheets



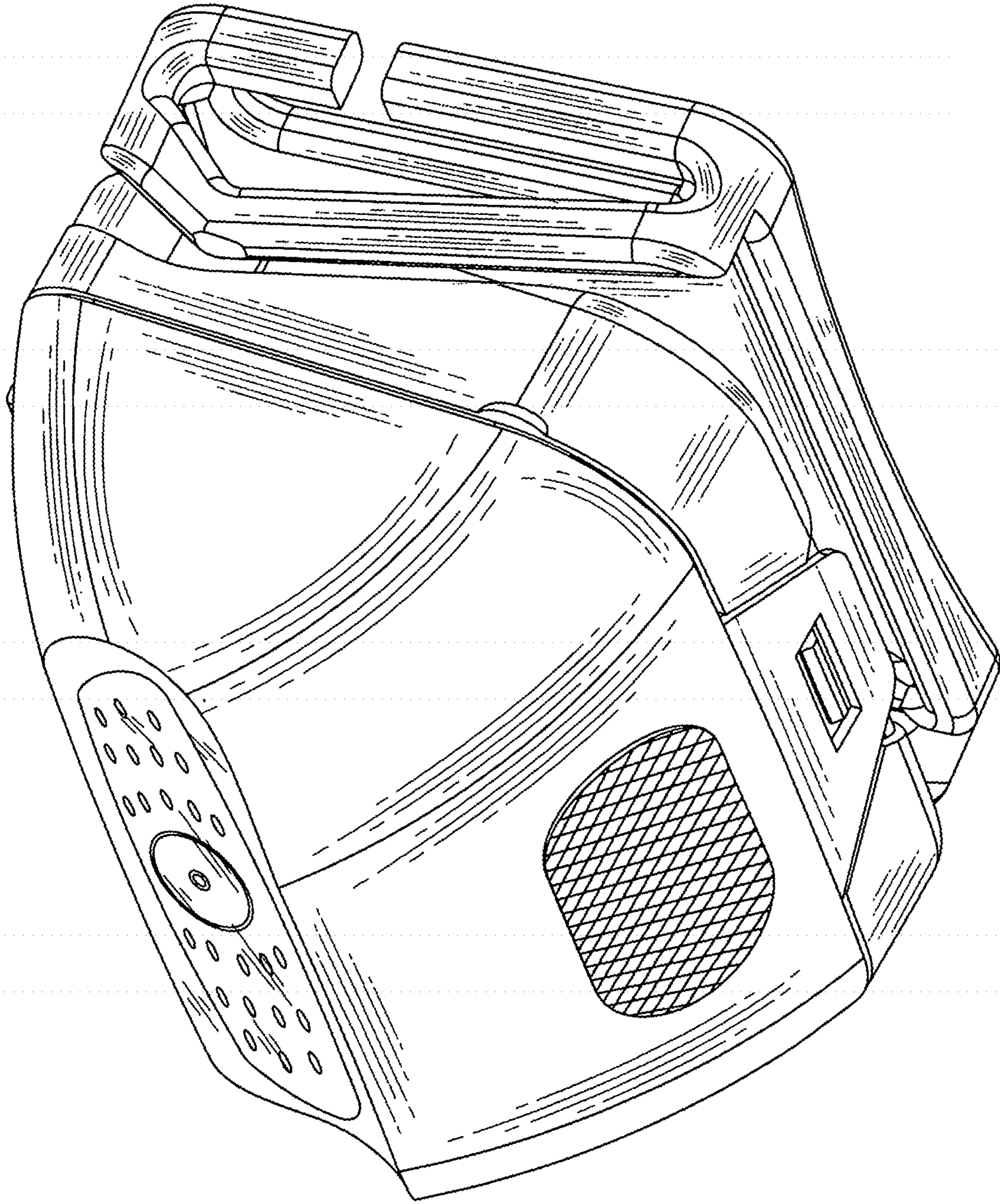


FIG. 1

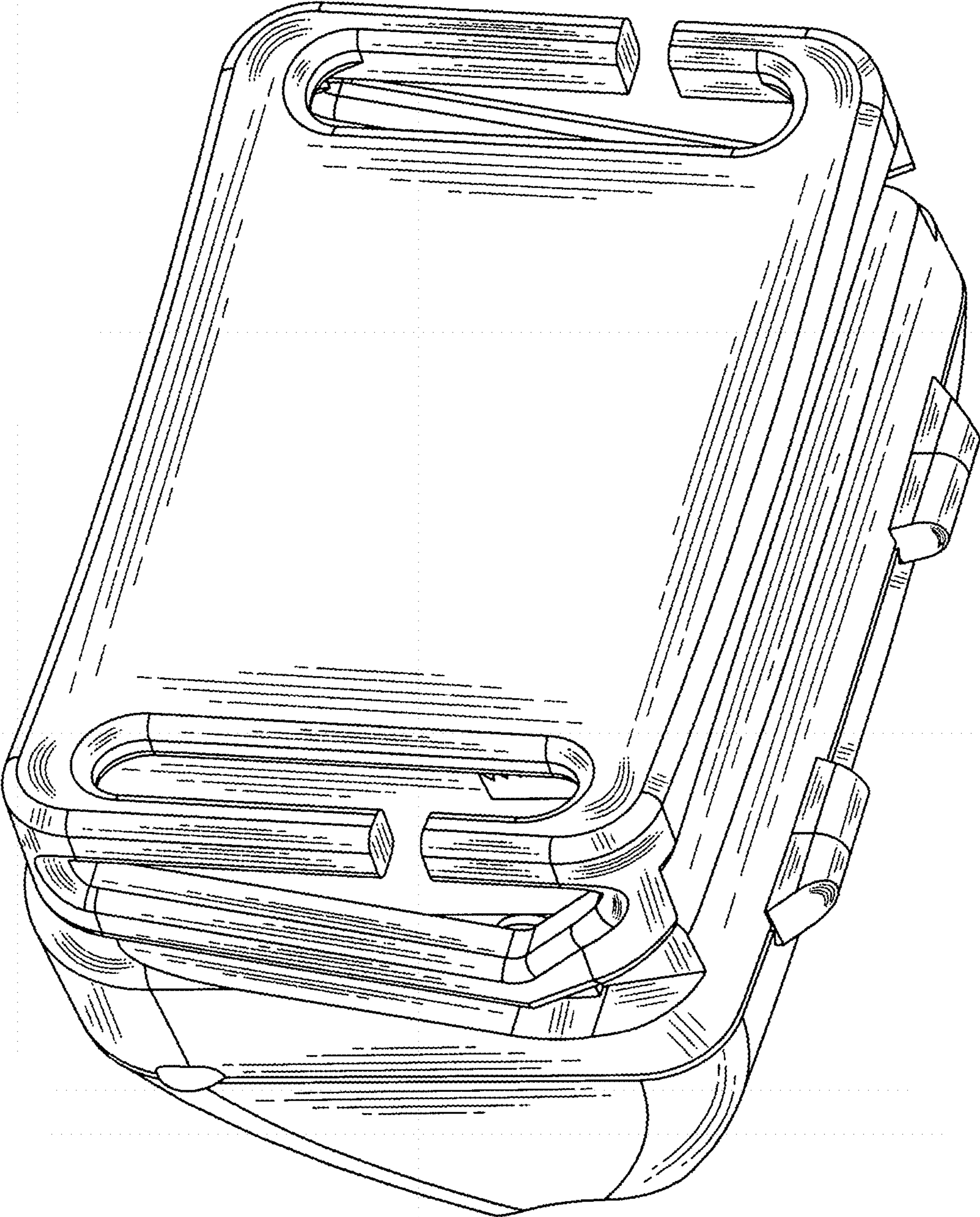


FIG. 2

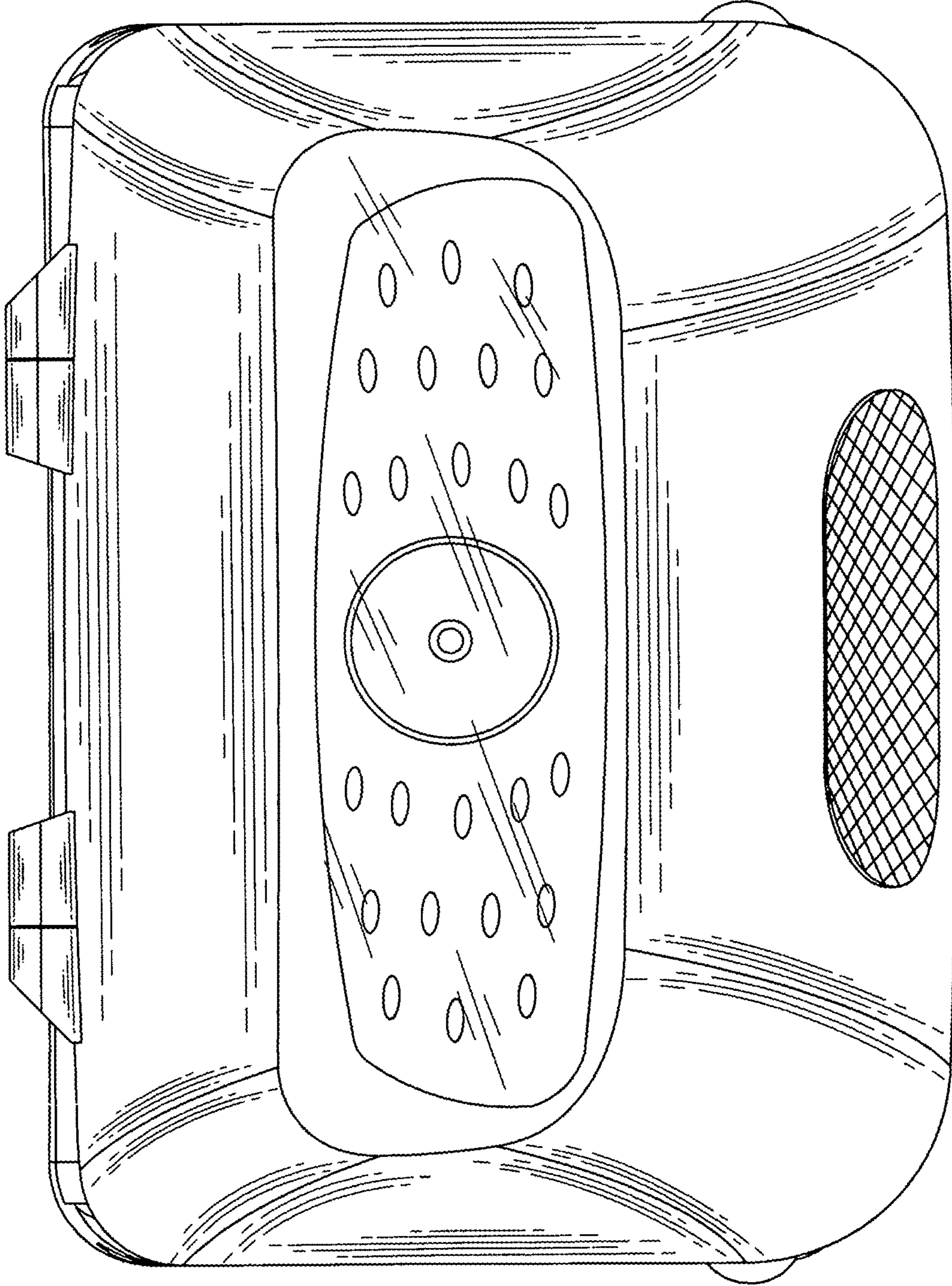


FIG. 3

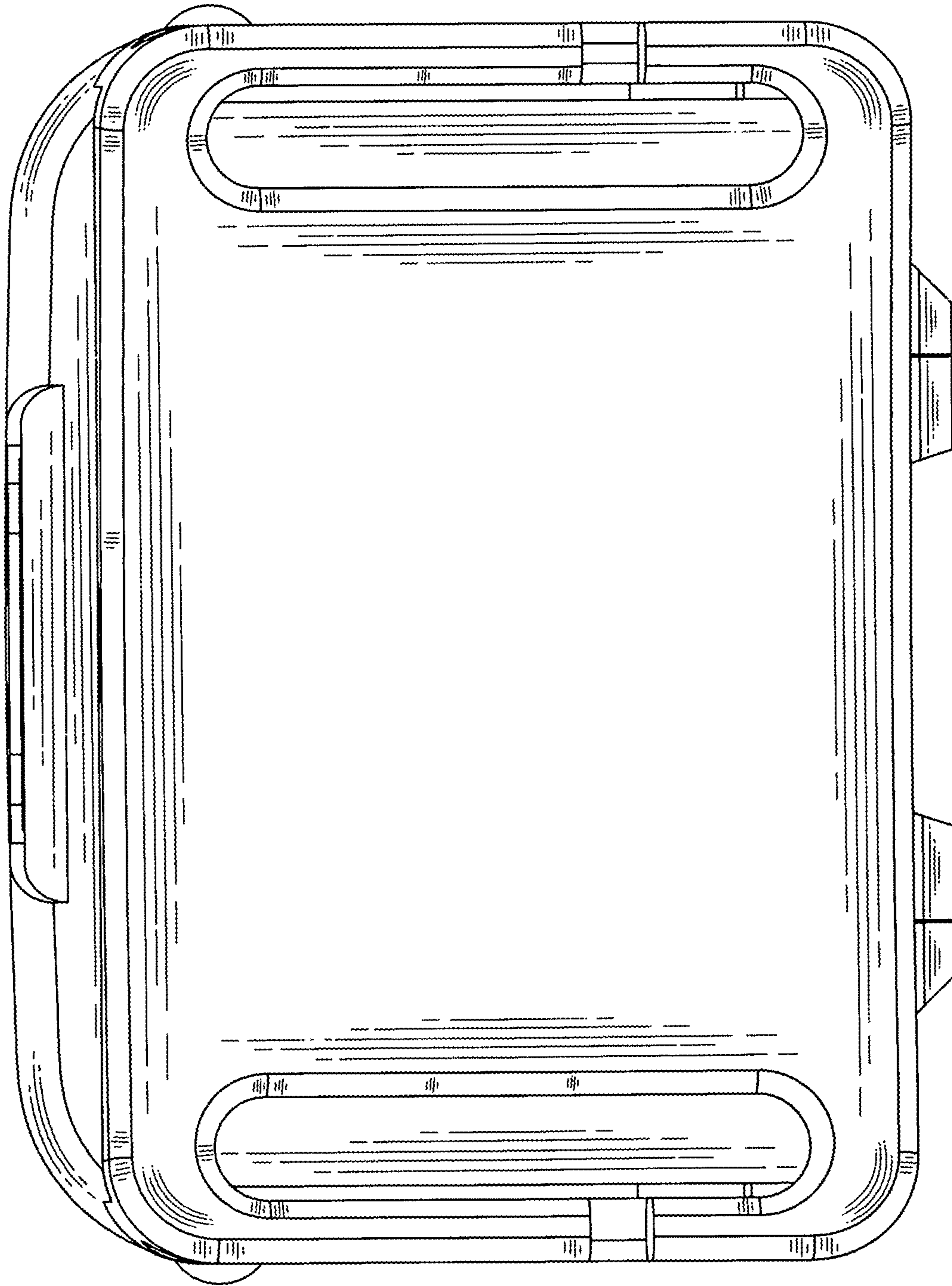


FIG. 4

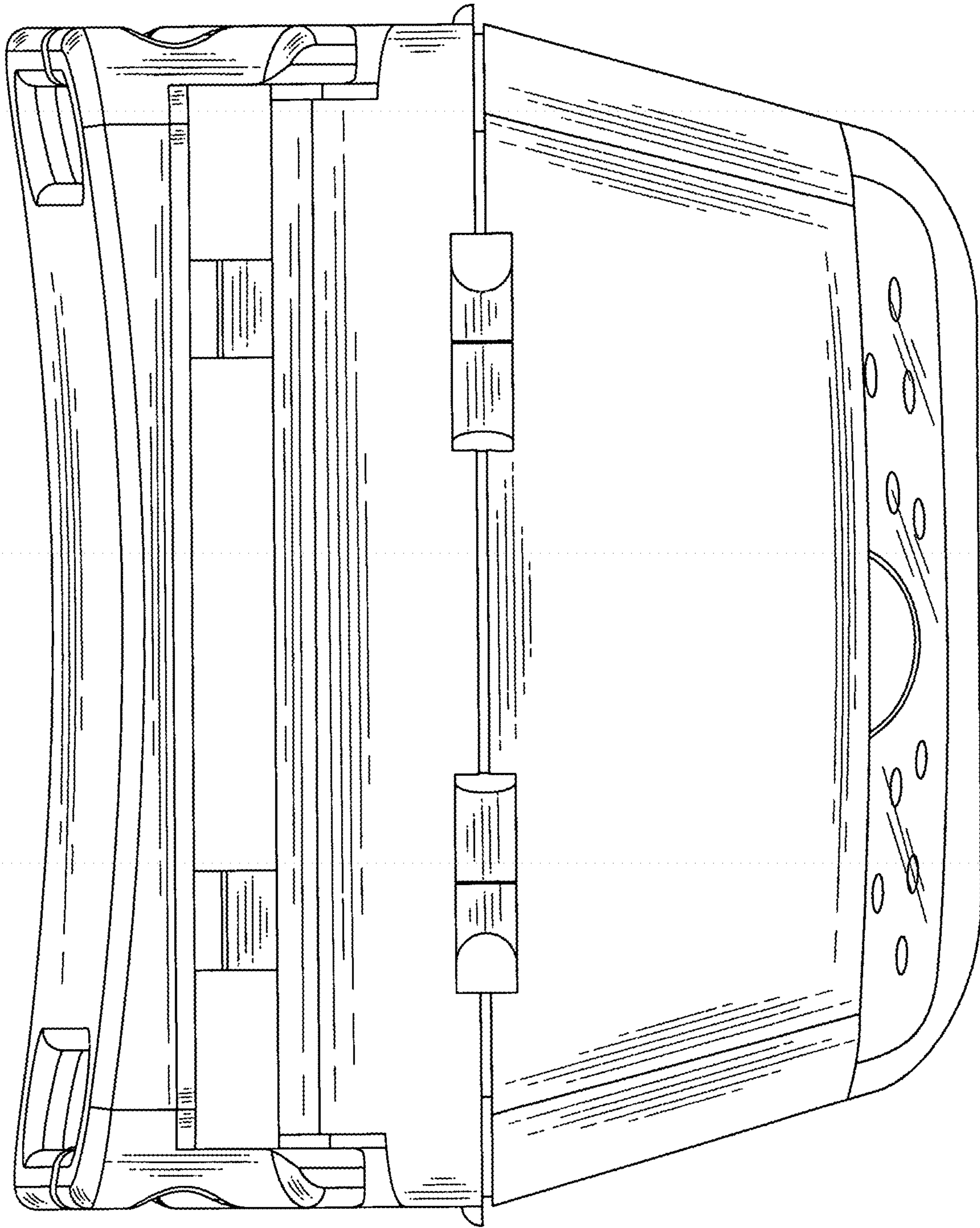


FIG. 5

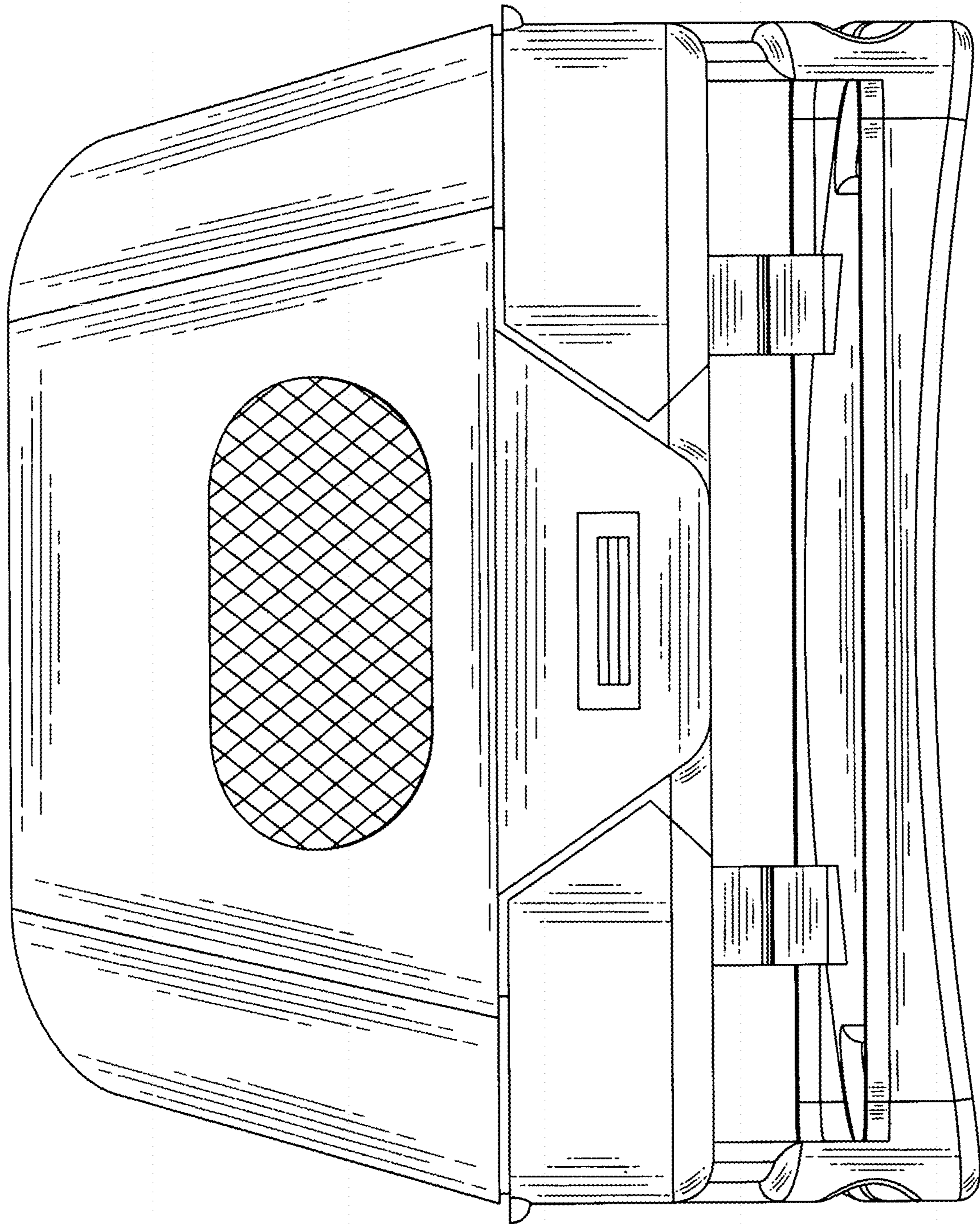


FIG. 6

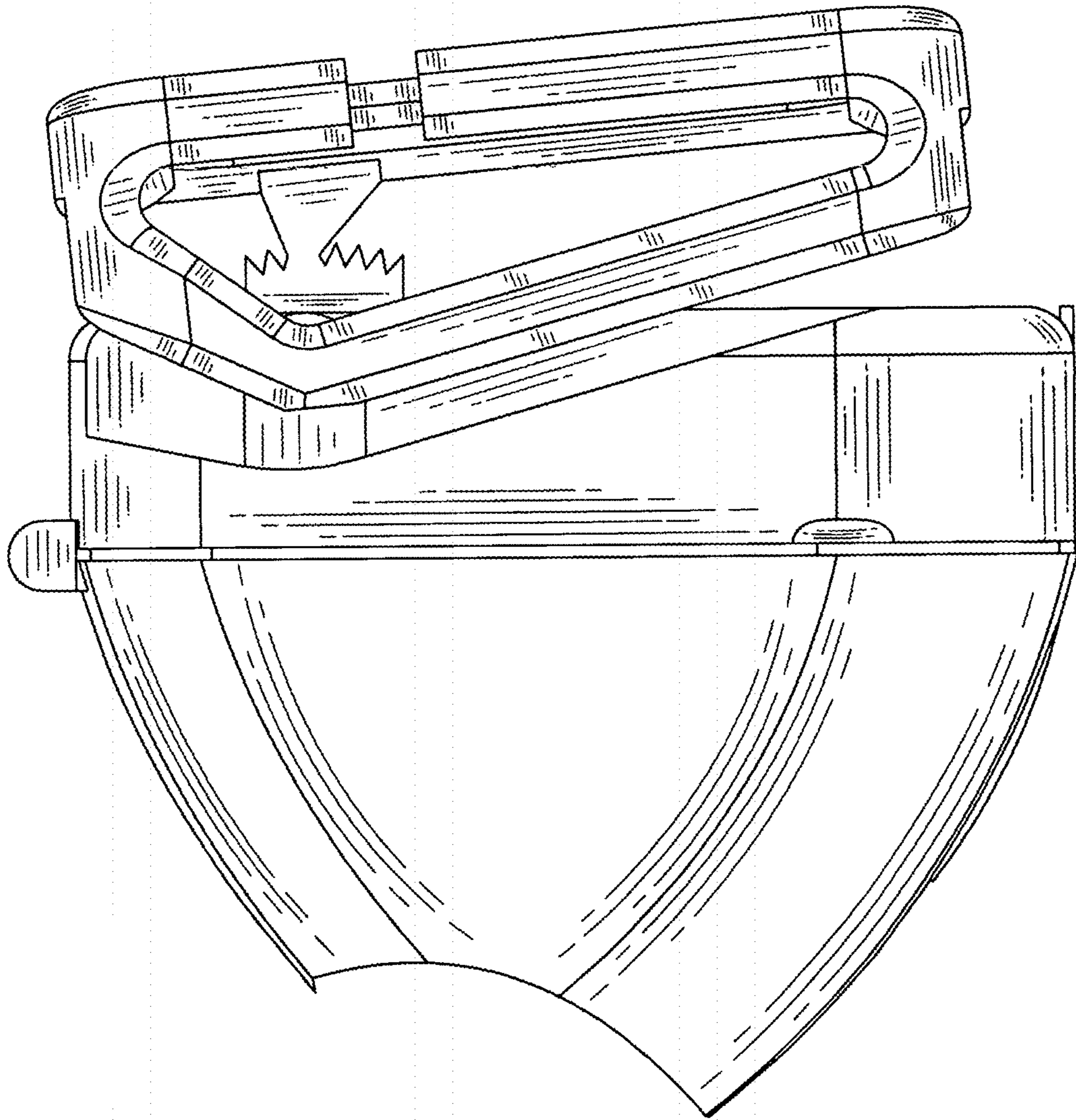


FIG. 7

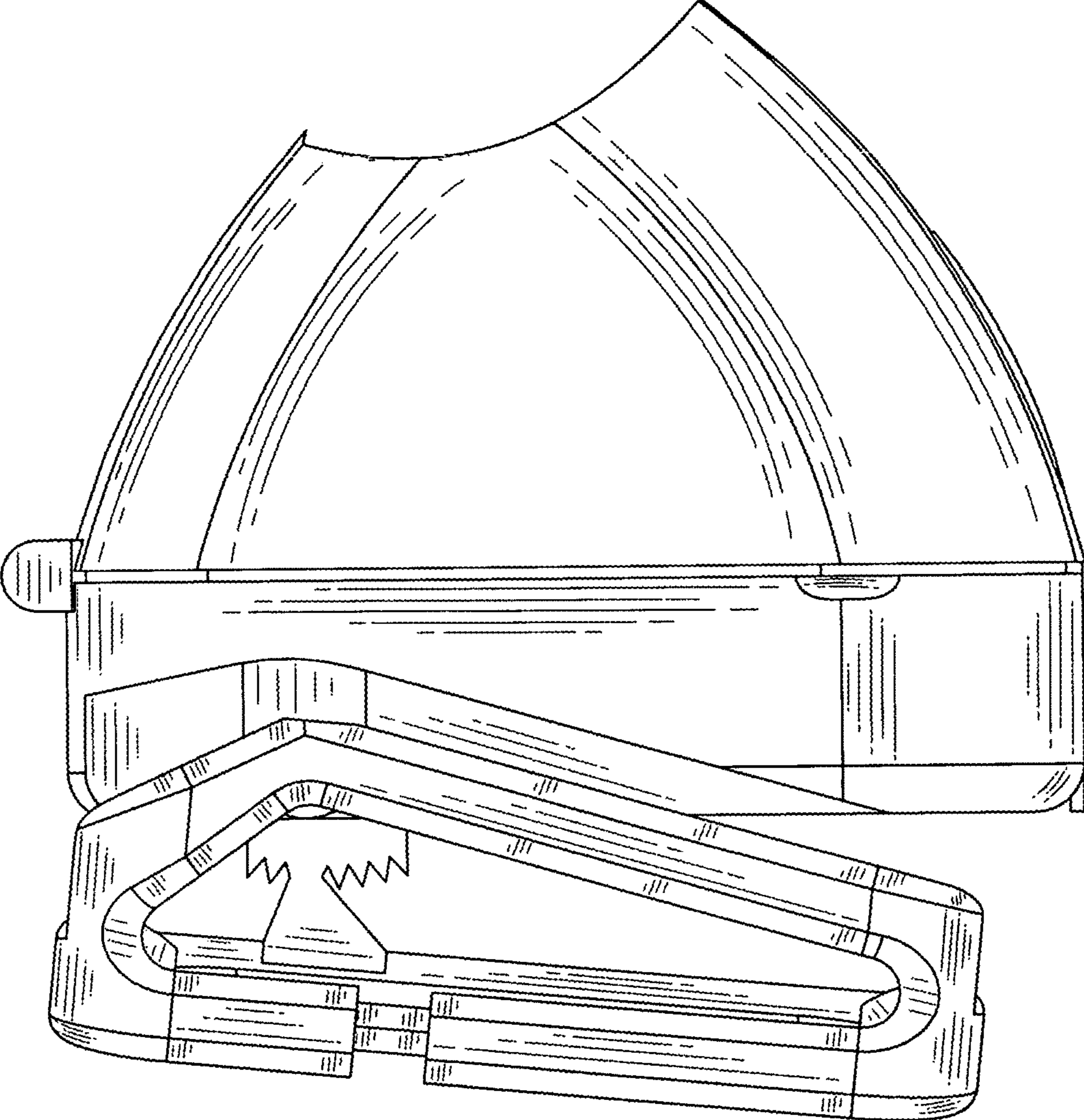


FIG. 8