



US00D939744S

(12) **United States Design Patent** (10) **Patent No.:** **US D939,744 S**
Xu (45) **Date of Patent:** **** Dec. 28, 2021**

(54) **USB CLIP LIGHT**

(71) Applicant: **Xin Xu**, Zhejiang (CN)

(72) Inventor: **Xin Xu**, Zhejiang (CN)

(**) Term: **15 Years**

(21) Appl. No.: **29/717,132**

(22) Filed: **Dec. 16, 2019**

(51) **LOC (13) Cl.** **26-02**

(52) **U.S. Cl.**

USPC **D26/38**

CPC **F21L 14/00** (2013.01)

(58) **Field of Classification Search**

USPC D26/37-51

CPC F21L 2003/00; F21L 4/005; F21L 4/025;
F21L 4/027; F21L 4/04; F21L 4/08; F21L
13/00; F21L 13/08; F21L 14/02; F21L
19/00; F21L 2/00; F21L 4/00-4/085;
F21L 15/00-15/14; F21L 2001/00; F21L
2005/00; F21L 25/00

See application file for complete search history.

(56) **References Cited**

U.S. PATENT DOCUMENTS

D542,449 S *	5/2007	Racoosin	D26/51
D603,239 S *	11/2009	Kunzendorf	D26/38
D603,986 S *	11/2009	Kuo	D26/37
D614,334 S *	4/2010	Thomson	D26/38
D630,355 S *	1/2011	Gulker	D26/37

D645,179 S *	9/2011	Gulker	D26/37
D656,647 S *	3/2012	Hodgson	D26/44
D708,377 S *	7/2014	Osiecki	D26/37
D728,836 S *	5/2015	Metlen	D26/41
D750,304 S *	2/2016	Khayat	D26/38
D764,088 S *	8/2016	Salmon	D26/39
D838,397 S *	1/2019	Calisi	D26/51
D840,071 S *	2/2019	Yuan	D26/37
D888,305 S *	6/2020	Yu	D26/39
D889,713 S *	7/2020	Tolley	D26/37
D898,965 S *	10/2020	Eichelberger	D26/39

* cited by examiner

Primary Examiner — Richard E Chilcot

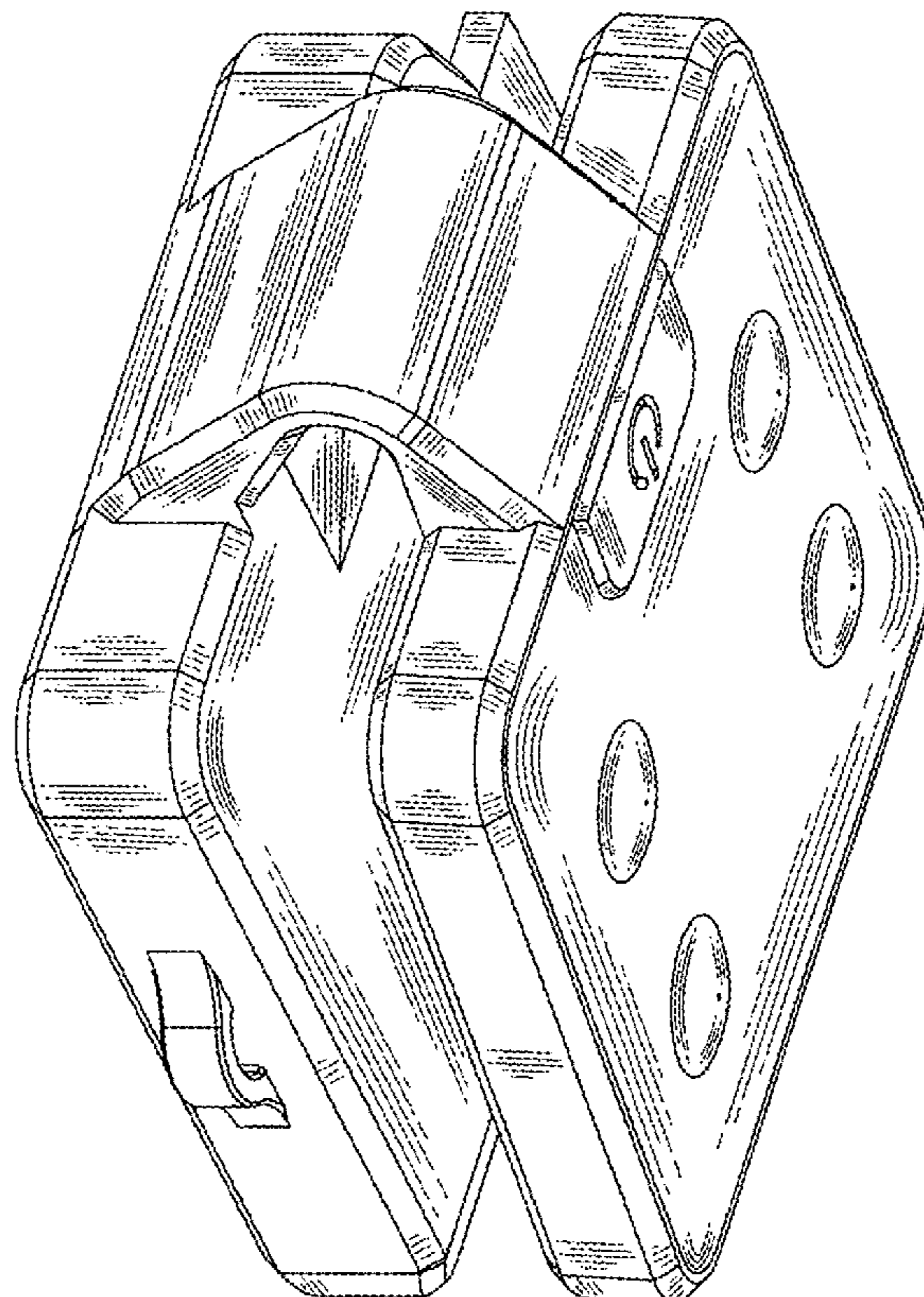
(57) **CLAIM**

The ornamental design for a USB clip light, as shown and described.

DESCRIPTION

FIG. 1 is a perspective view of a USB clip light showing my new design;
FIG. 2 is a front elevation view thereof;
FIG. 3 is a rear elevation view thereof;
FIG. 4 is a left side elevation view thereof;
FIG. 5 is a right side elevation view thereof;
FIG. 6 is a top plan view thereof; and,
FIG. 7 is a bottom plan view thereof.
The broken lines show portions of the USB clip light which form no part of the claimed design.

1 Claim, 7 Drawing Sheets



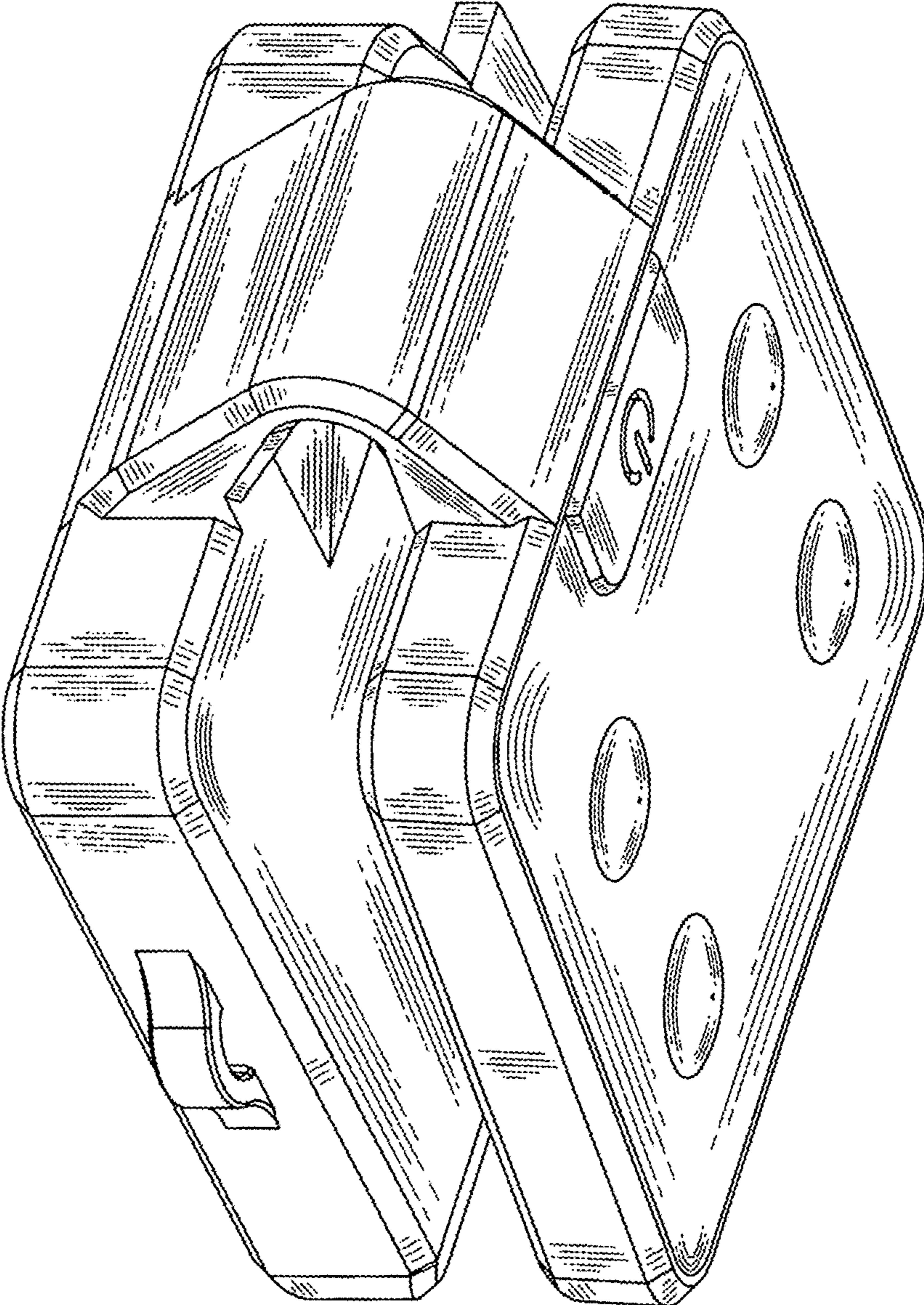


FIG.1

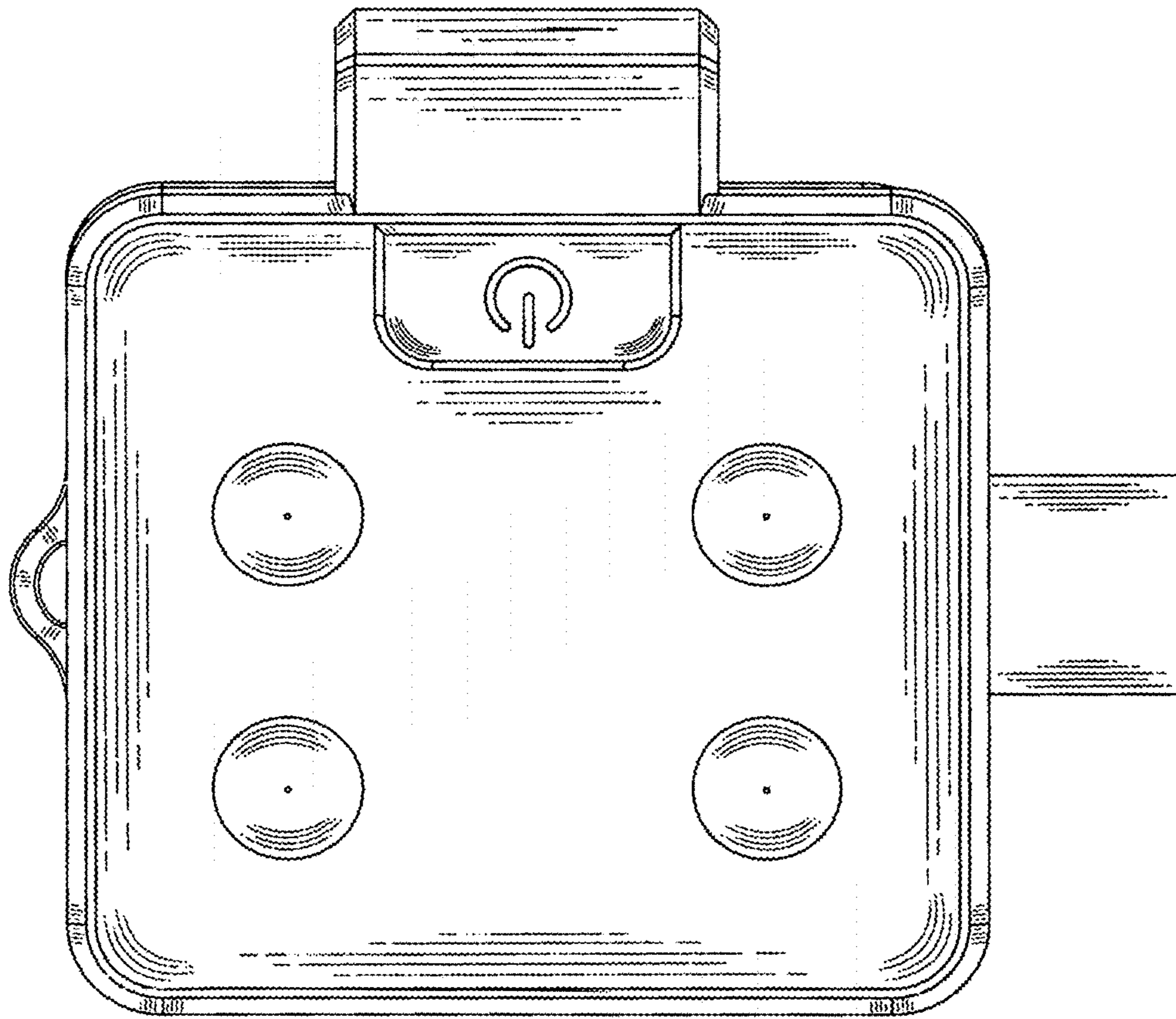


FIG.2

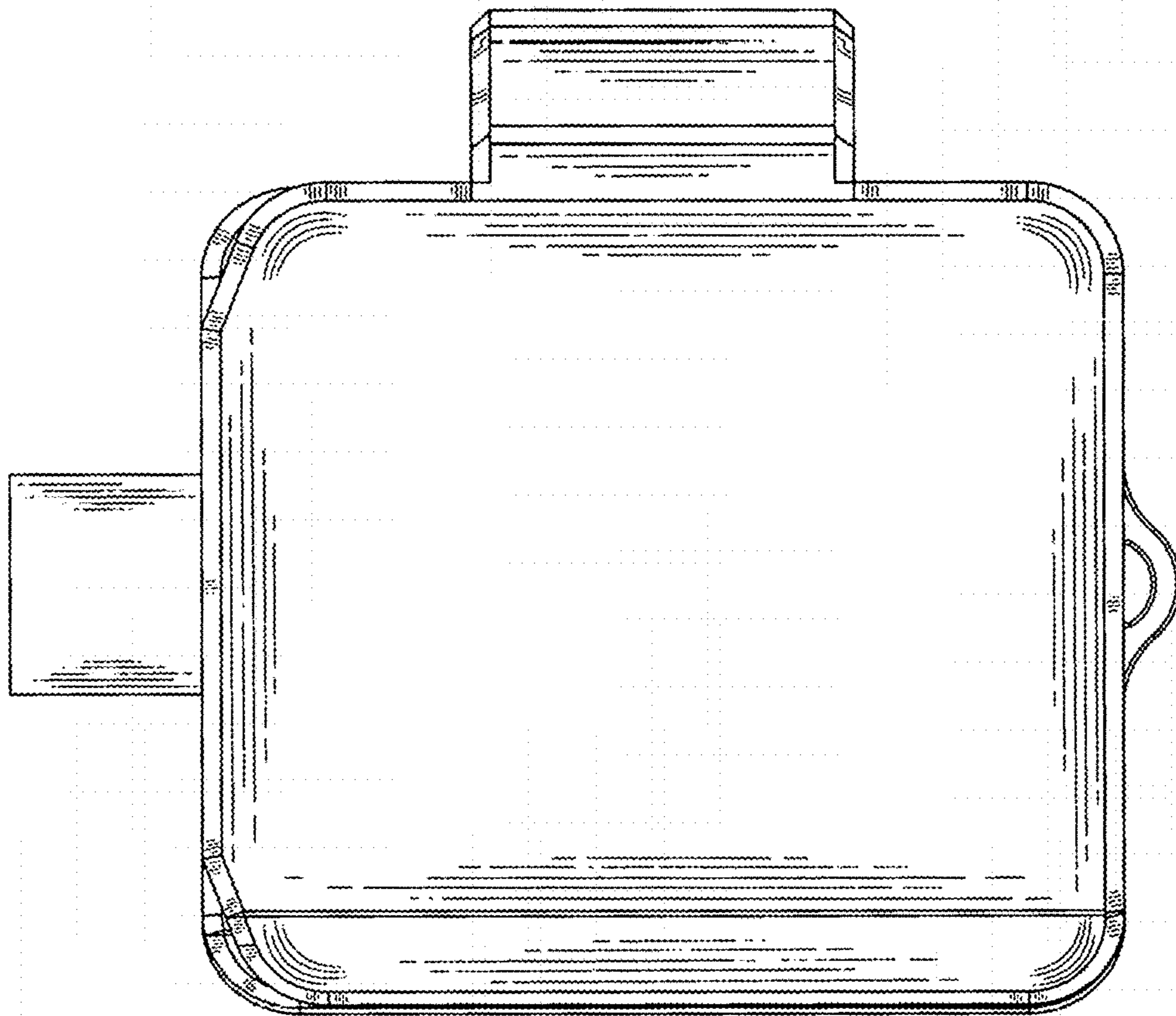


FIG.3

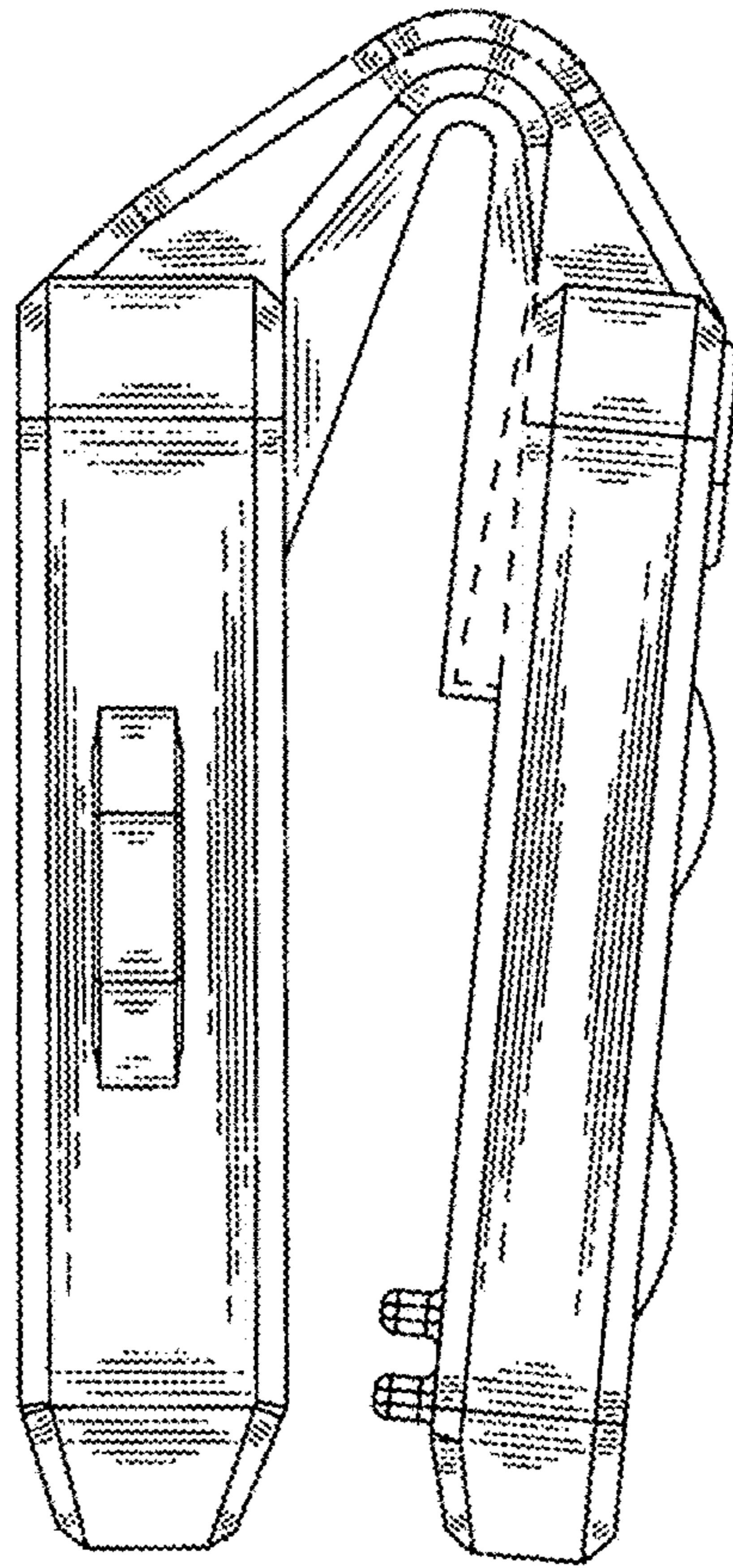


FIG.4

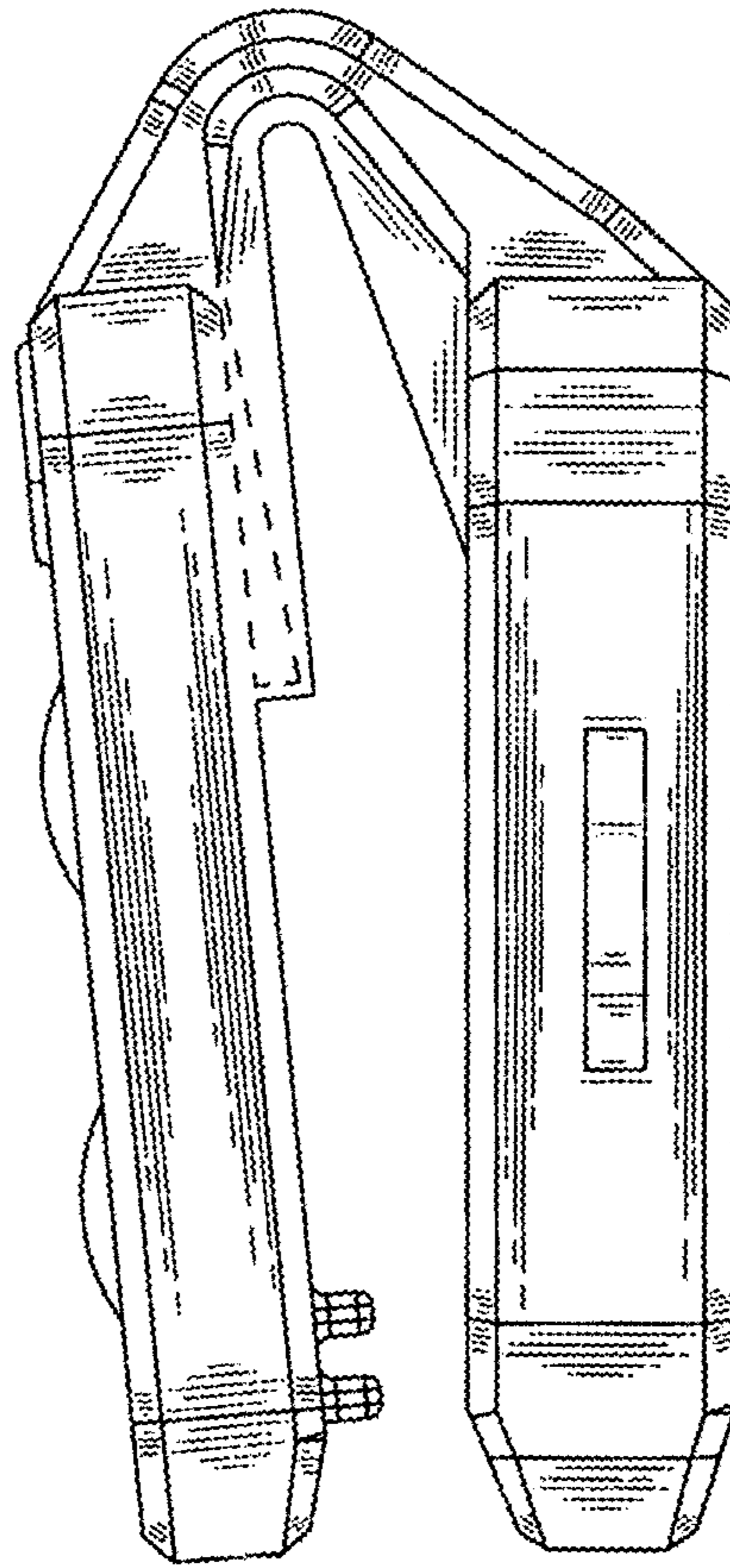


FIG.5

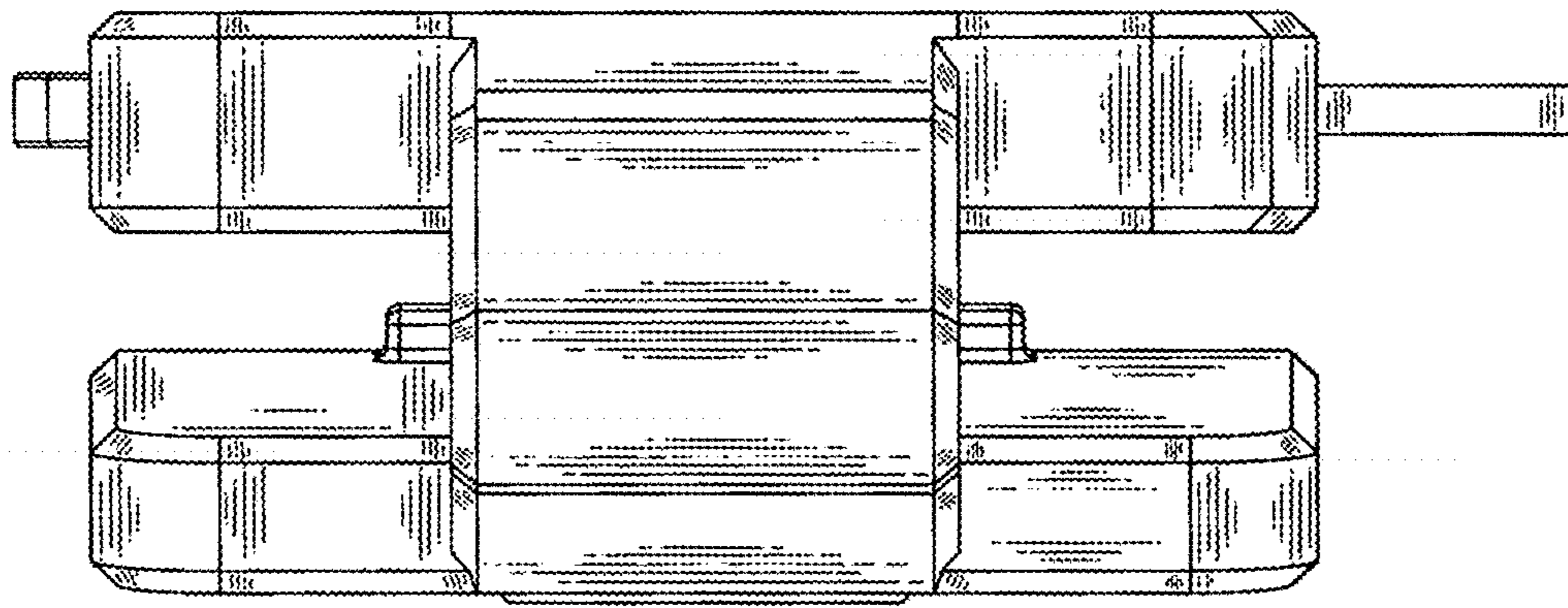


FIG.6

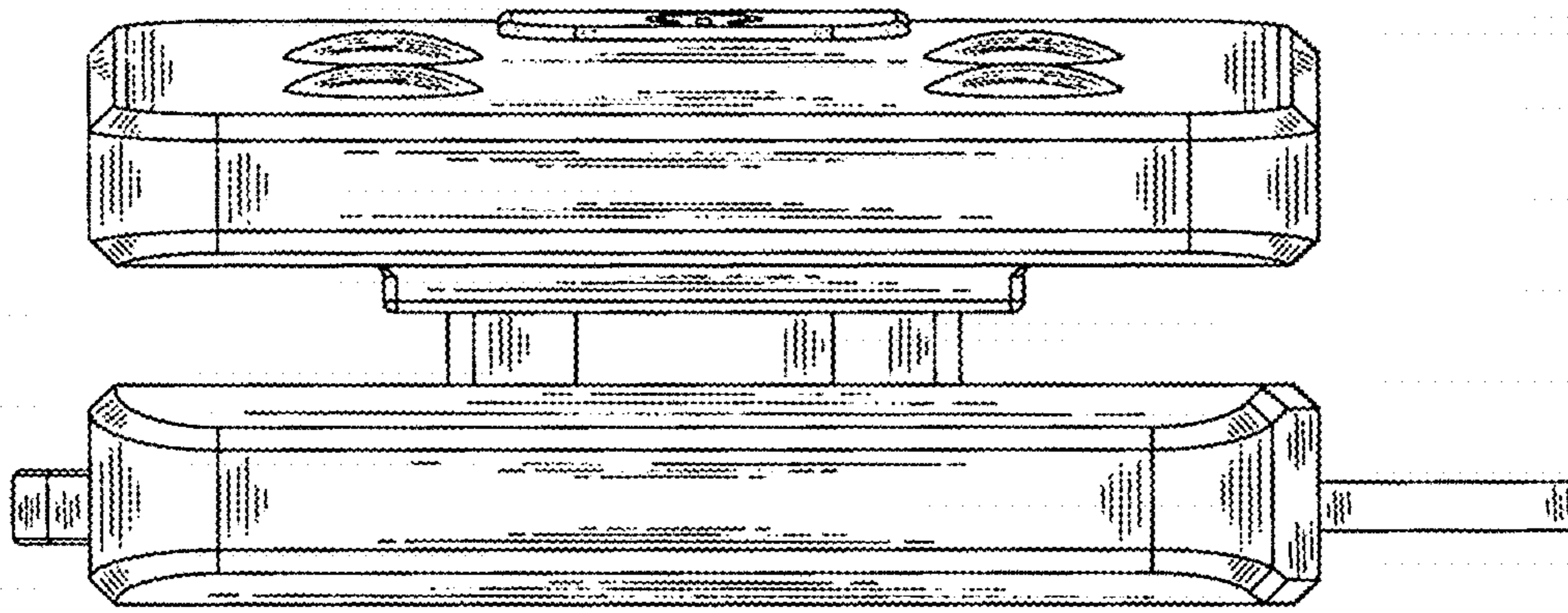


FIG. 7