

US00D939743S

(12) **United States Design Patent**  
**Yang**

(10) **Patent No.:** **US D939,743 S**

(45) **Date of Patent:** **\*\* Dec. 28, 2021**

(54) **FLASHLIGHT**

(71) Applicant: **Wenqing Yang**, Shenzhen (CN)

(72) Inventor: **Wenqing Yang**, Shenzhen (CN)

(73) Assignee: **Shenzhen Feiya Electronics Co., Ltd.**,  
Shenzhen (CN)

(\*\*) Term: **15 Years**

(21) Appl. No.: **29/713,321**

(22) Filed: **Nov. 15, 2019**

(51) **LOC (13) Cl.** ..... **26-02**

(52) **U.S. Cl.**  
USPC ..... **D26/37; D26/49**  
CPC ..... **F21L 4/00** (2013.01)

(58) **Field of Classification Search**  
USPC ..... D26/37-51  
CPC ..... F21L 2003/00; F21L 4/005; F21L 4/025;  
F21L 4/027; F21L 4/04; F21L 4/08; F21L  
13/00; F21L 13/08; F21L 14/02; F21L  
19/00; F21L 2/00; F21L 4/00-4/085;  
F21L 15/00-15/14; F21L 2001/00; F21L  
2005/00; F21L 25/00

See application file for complete search history.

(56) **References Cited**

**U.S. PATENT DOCUMENTS**

D422,733 S	*	4/2000	Kung	.....	D26/49
D482,151 S	*	11/2003	Shiu	.....	D26/49
D518,217 S	*	3/2006	Rugendyke	.....	D26/49
D579,135 S	*	10/2008	Shiu	.....	D26/49
D605,795 S	*	12/2009	Baker	.....	D26/44
D620,161 S	*	7/2010	Kang	.....	D26/45
D620,163 S	*	7/2010	Kang	.....	D26/49
D623,323 S	*	9/2010	Kung	.....	D26/45
D628,727 S	*	12/2010	Risch	.....	D26/49

D637,747 S	*	5/2011	Hesse	.....	D26/49
D651,334 S	*	12/2011	Yuen	.....	D26/50
D681,858 S	*	5/2013	Sharrah	.....	D26/49
D687,582 S	*	8/2013	Kawase	.....	D26/44
D702,383 S	*	4/2014	Inskeep	.....	D26/45
D748,310 S	*	1/2016	Inskeep	.....	D26/45
D754,380 S	*	4/2016	Inskeep	.....	D26/45
D754,381 S	*	4/2016	Inskeep	.....	D26/45
D767,187 S	*	9/2016	Hine	.....	D26/49
D788,341 S	*	5/2017	Inskeep	.....	D26/45
D814,086 S	*	3/2018	Cooper	.....	D26/45
D824,060 S	*	7/2018	Kunzendorf	.....	D26/45
D833,049 S	*	11/2018	Yu	.....	D26/45
D833,661 S	*	11/2018	Ma	.....	D26/45
D837,428 S	*	1/2019	Arena	.....	D26/44
D896,419 S	*	9/2020	Clark	.....	D26/45
D896,420 S	*	9/2020	Inskeep	.....	D26/45
D897,017 S	*	9/2020	Inskeep	.....	D26/45

\* cited by examiner

*Primary Examiner* — Richard E Chilcot

(57) **CLAIM**

The ornamental design for a flashlight, as shown and described.

**DESCRIPTION**

FIG. 1 is a front perspective view of a flashlight showing my new design;

FIG. 2 is a rear perspective view thereof;

FIG. 3 is a front elevational view thereof;

FIG. 4 is a rear elevational view thereof;

FIG. 5 is a left side elevational view thereof;

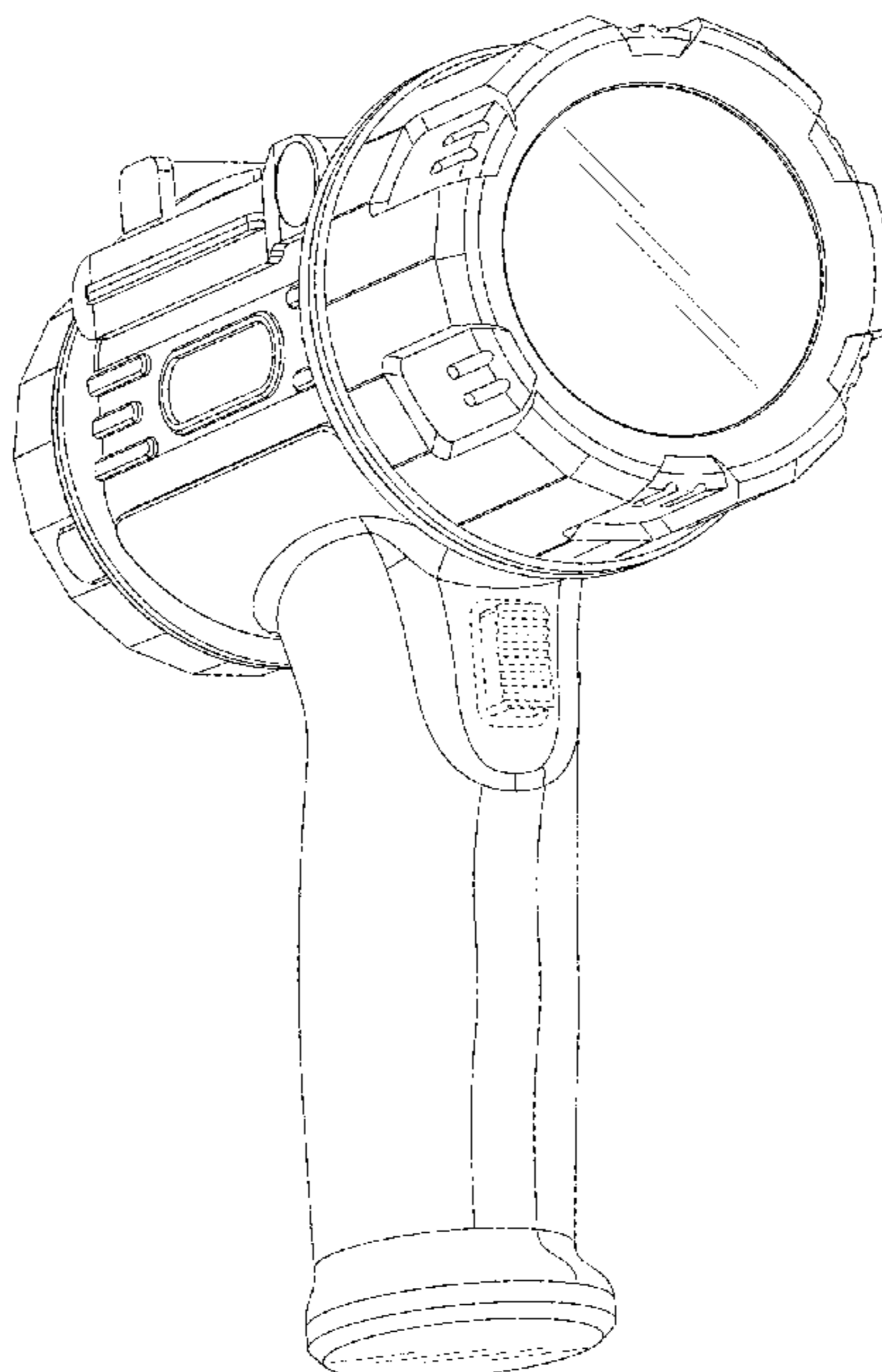
FIG. 6 is a right side elevational view thereof;

FIG. 7 is a top plan view thereof; and,

FIG. 8 is a bottom plan view thereof.

The equal-length broken lines in the drawings depict portions of the flashlight that form no part of the claimed design.

**1 Claim, 8 Drawing Sheets**



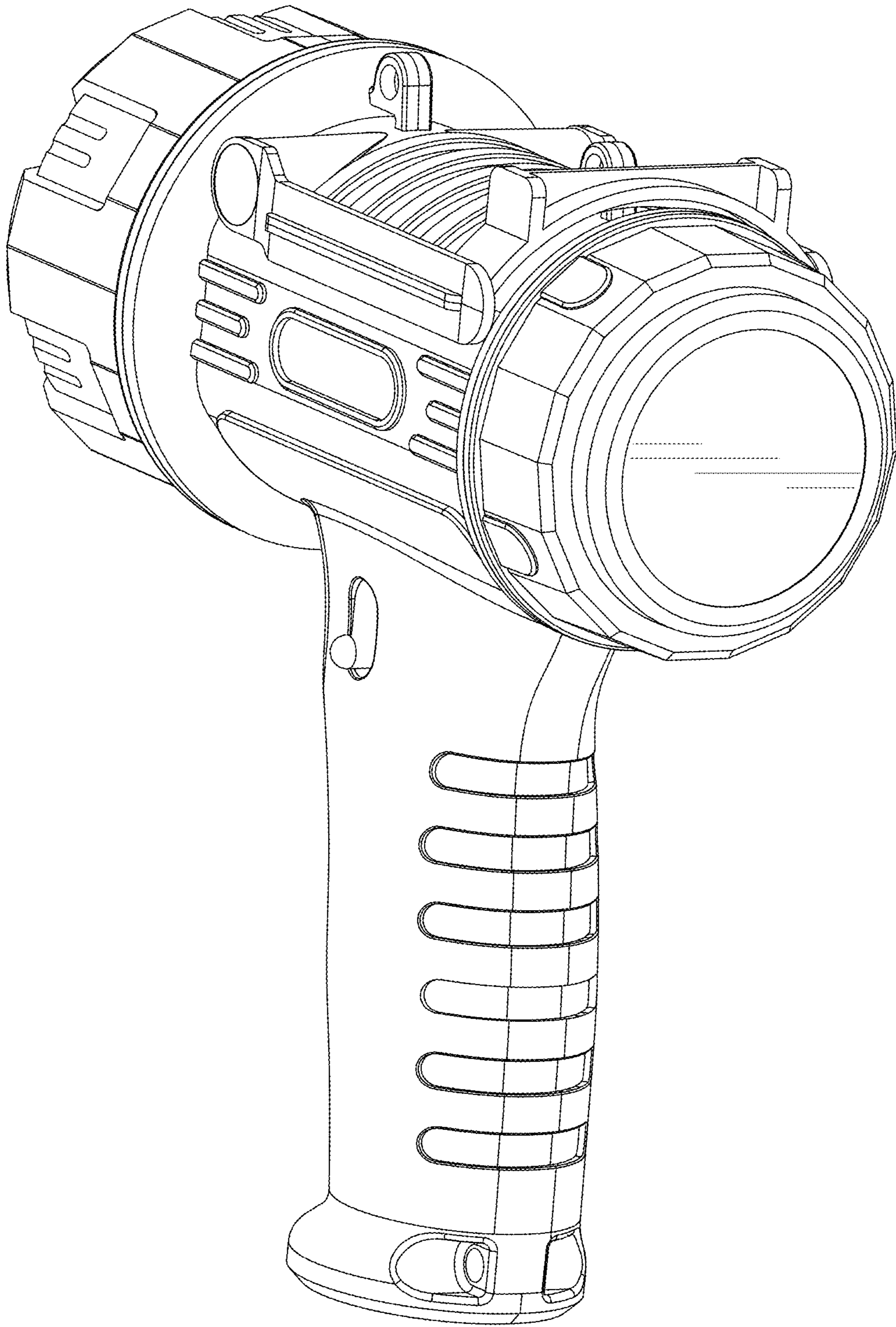


FIG. 1

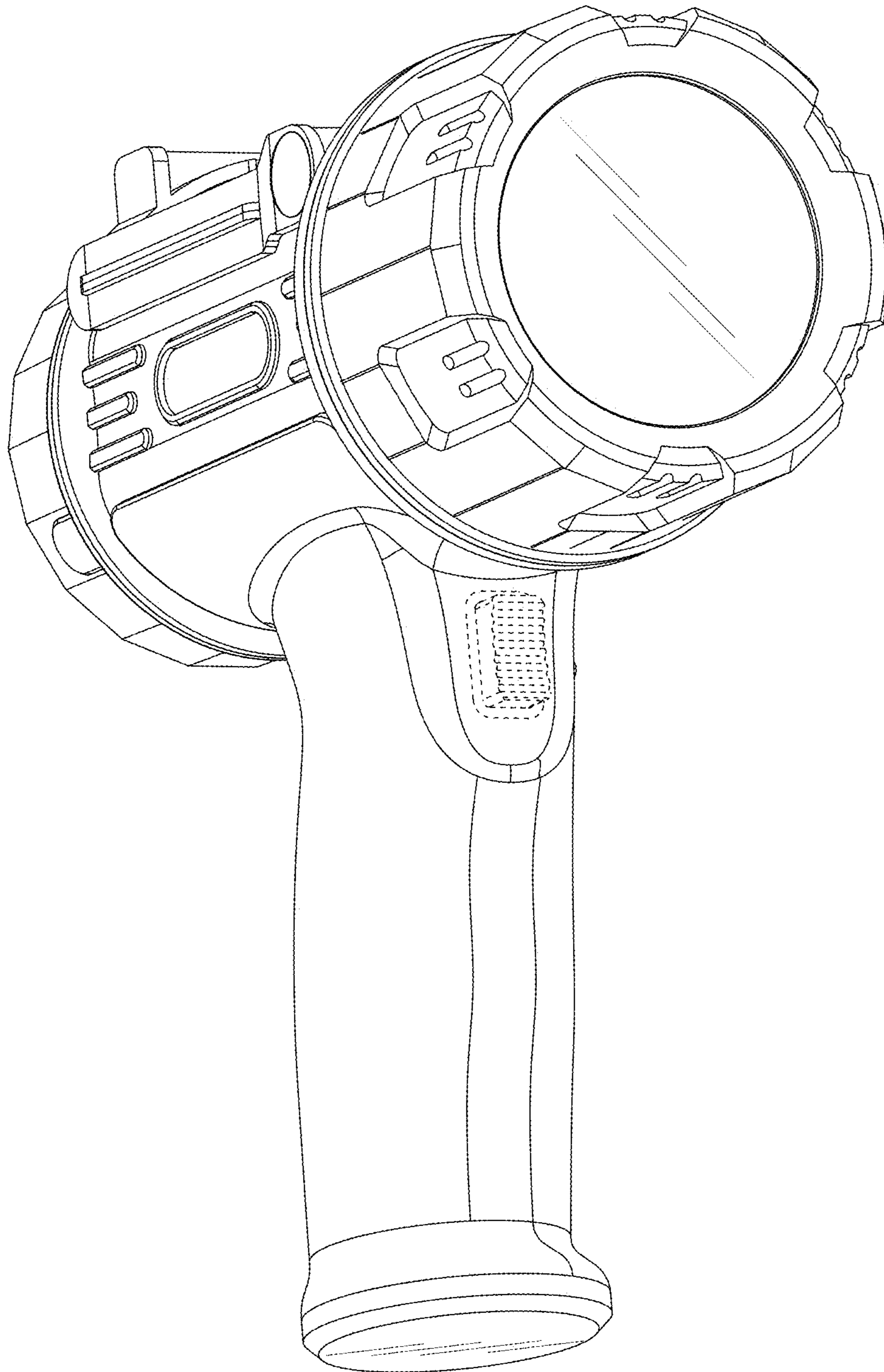


FIG. 2

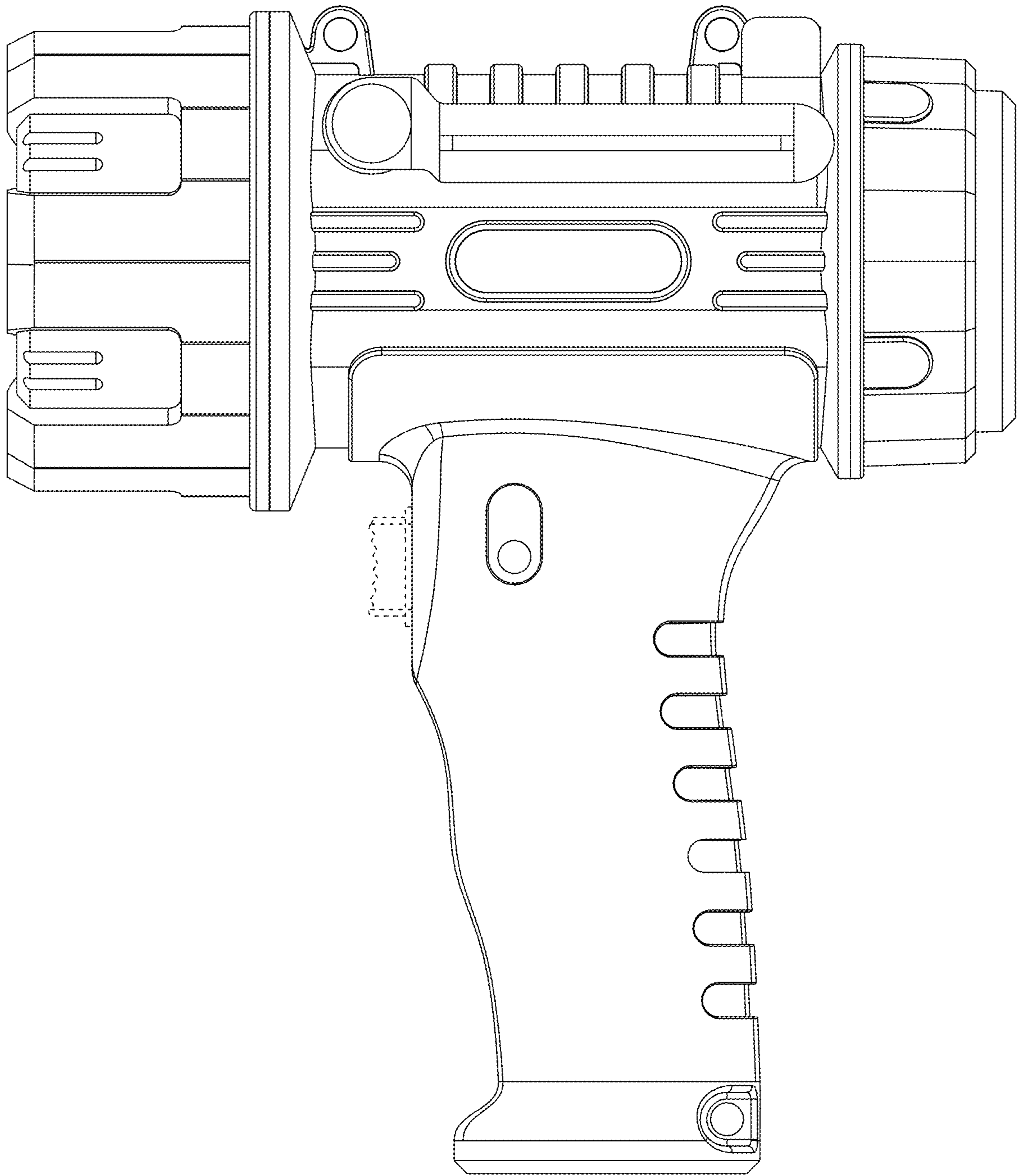


FIG. 3

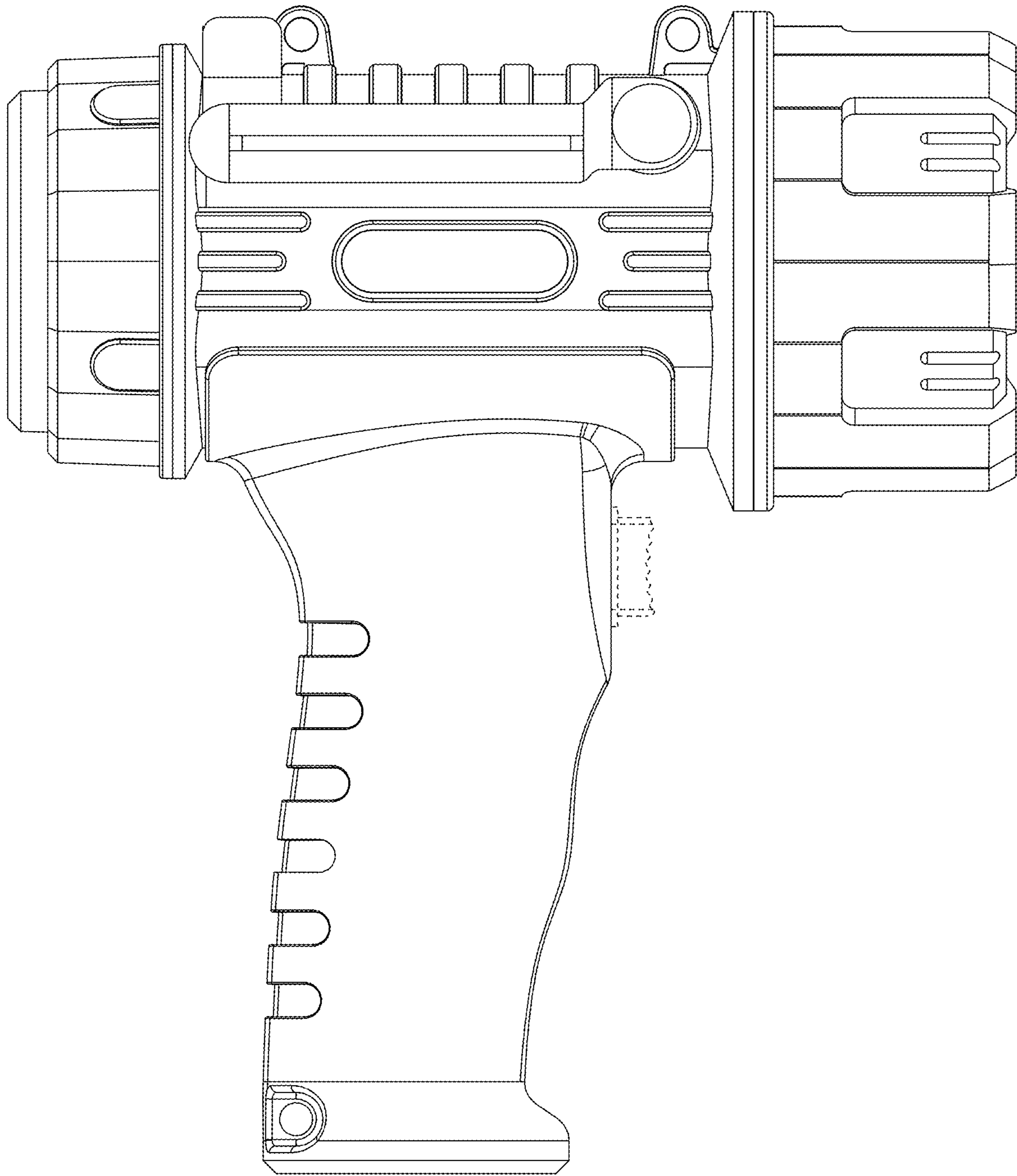


FIG. 4

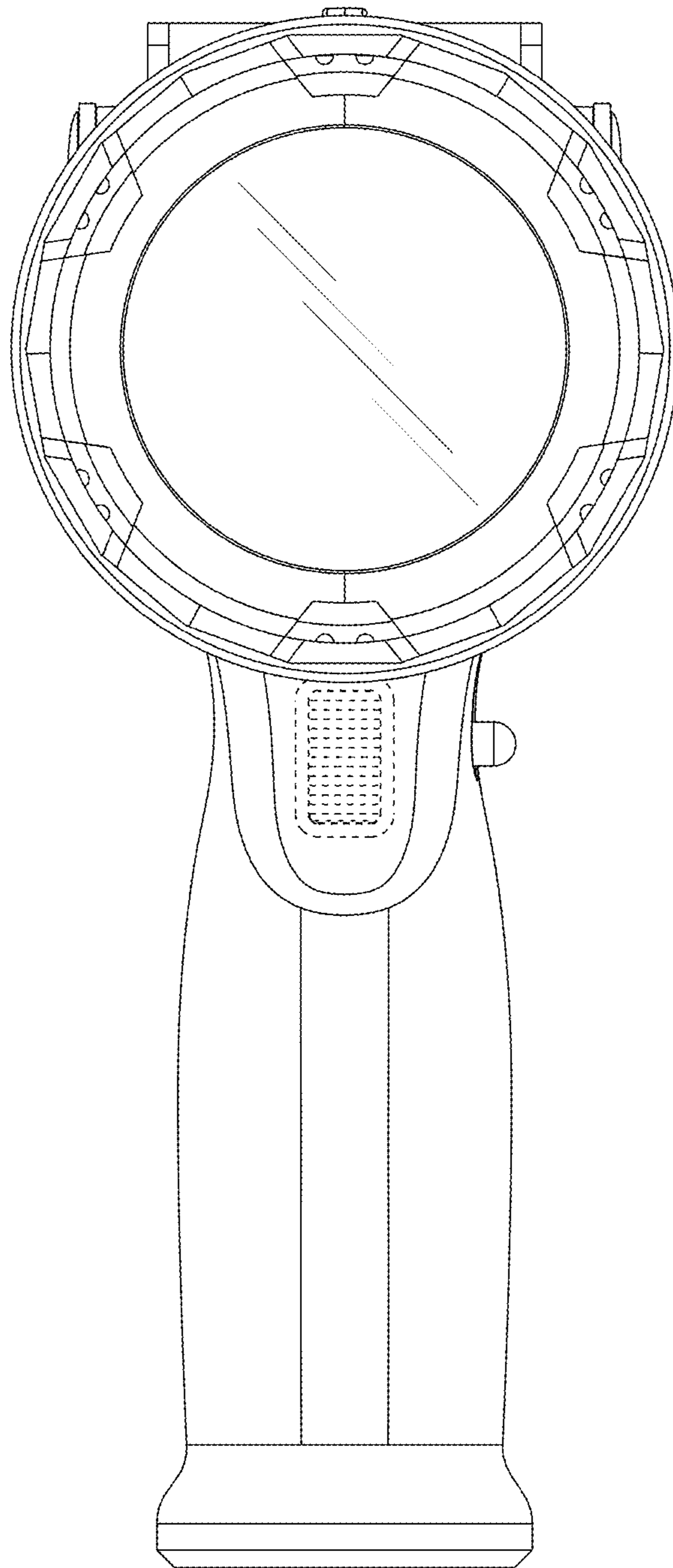


FIG. 5

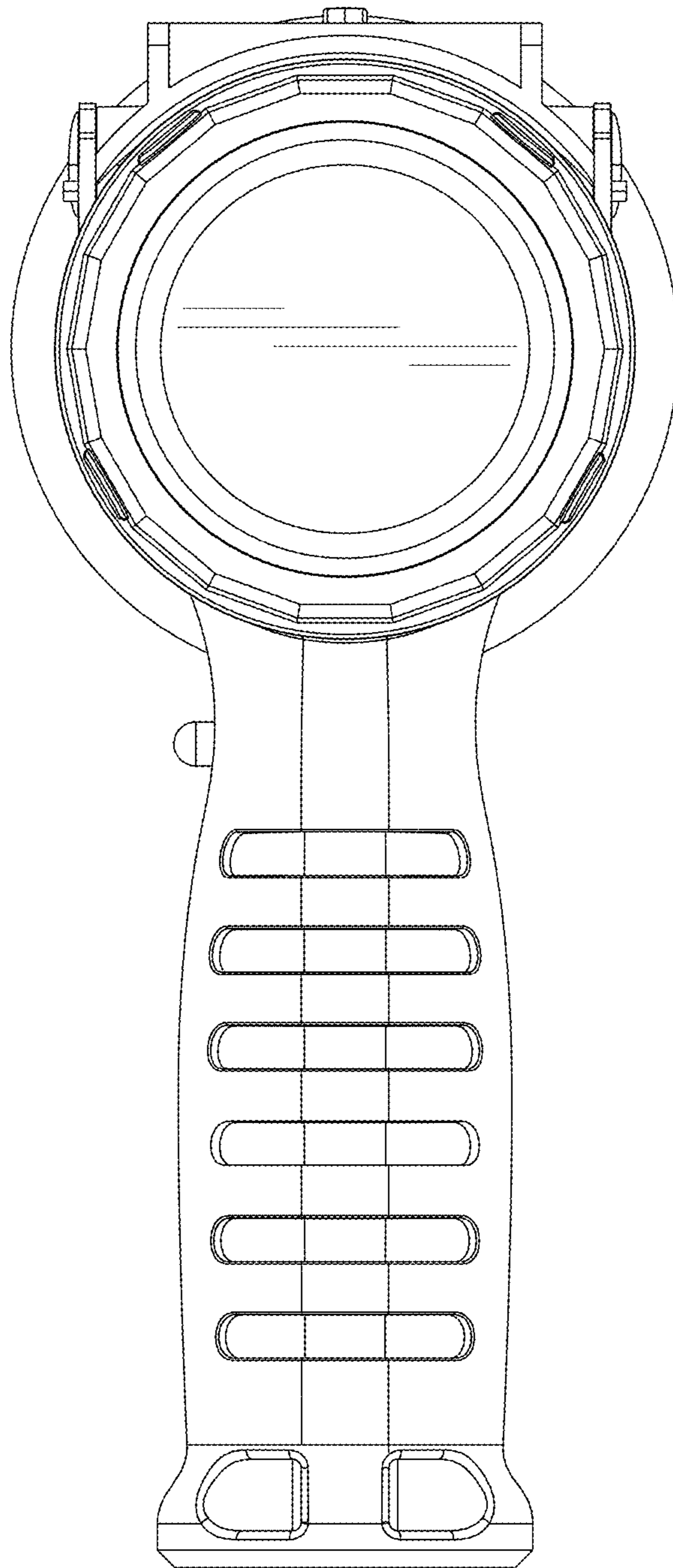


FIG. 6

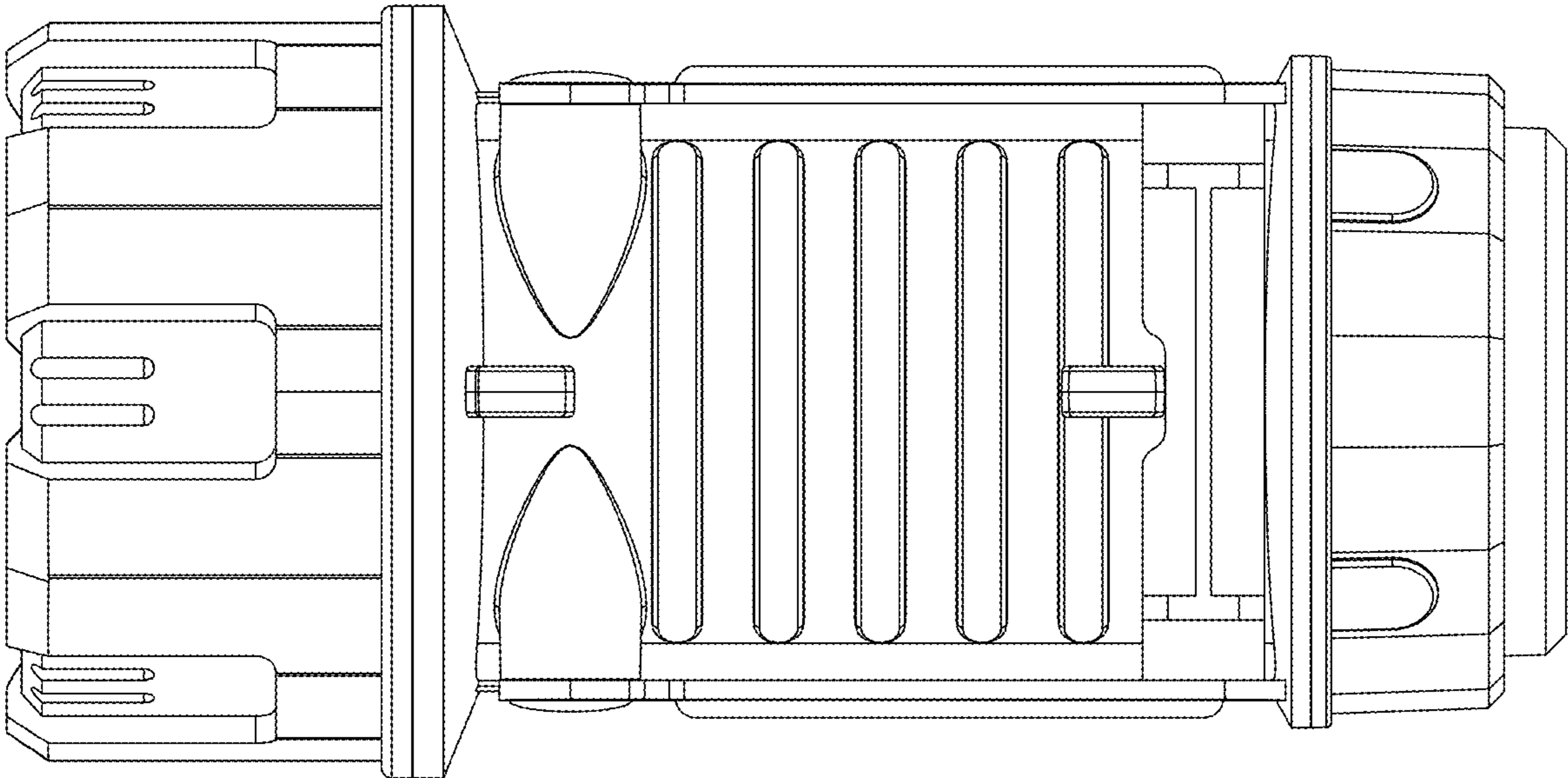


FIG. 7



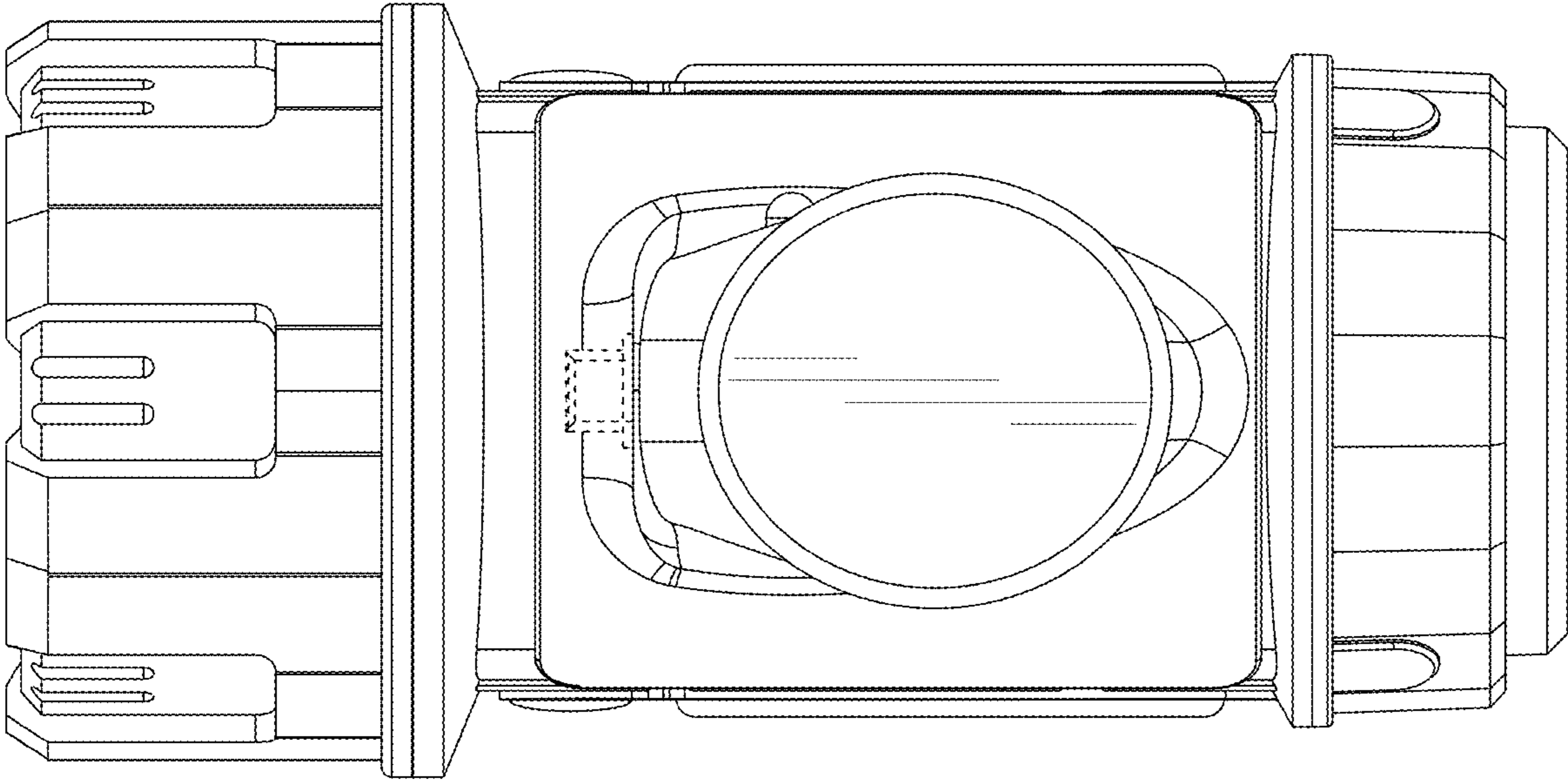


FIG. 8