

US00D939738S

(12) **United States Design Patent** (10) **Patent No.:** **US D939,738 S**  
**Lu et al.** (45) **Date of Patent:** **\*\* Dec. 28, 2021**

(54) **LIGHT BULB OR PORTION THEREOF**

(56) **References Cited**

(71) Applicant: **Amazon Technologies, Inc.**, Seattle, WA (US)  
(72) Inventors: **Wen-Yo Lu**, Pasadena, CA (US); **Mark D. Siminoff**, Mountain View, CA (US); **Christopher Loew**, Palo Alto, CA (US); **Jiawei Li**, Avon, OH (US); **James Siminoff**, Pacific Palisades, CA (US)  
(73) Assignee: **Amazon Technologies, Inc.**, Seattle, WA (US)  
(\*\*) Term: **15 Years**

U.S. PATENT DOCUMENTS

D479,886 S	*	9/2003	Kakuno	.....	D26/2
D480,486 S	*	10/2003	Kakuno	.....	D26/2
D531,741 S	*	11/2006	Takahashi	.....	D26/2
D549,360 S	*	8/2007	An	.....	D26/2
D662,625 S	*	6/2012	Yamamoto	.....	D26/2
D673,699 S	*	1/2013	Yao	.....	D26/2

\* cited by examiner

*Primary Examiner* — Marcus A Jackson

(74) *Attorney, Agent, or Firm* — Lee & Hayes, P.C.

(21) Appl. No.: **29/709,954**  
(22) Filed: **Oct. 18, 2019**  
(51) **LOC (13) Cl.** ..... **26-04**  
(52) **U.S. Cl.**  
USPC ..... **D26/2**  
(58) **Field of Classification Search**  
USPC ..... D26/1-11  
CPC ..... H01R 5/00; H01R 13/46; H01R 13/514;  
H01R 31/02; H01R 31/048; H01J 5/00;  
H01J 5/16; H01J 1/02; H01J 15/00; H01J  
5/48; H01J 5/50; H01J 19/54; F21V 5/00;  
F21K 9/00; F21K 13/00  
See application file for complete search history.

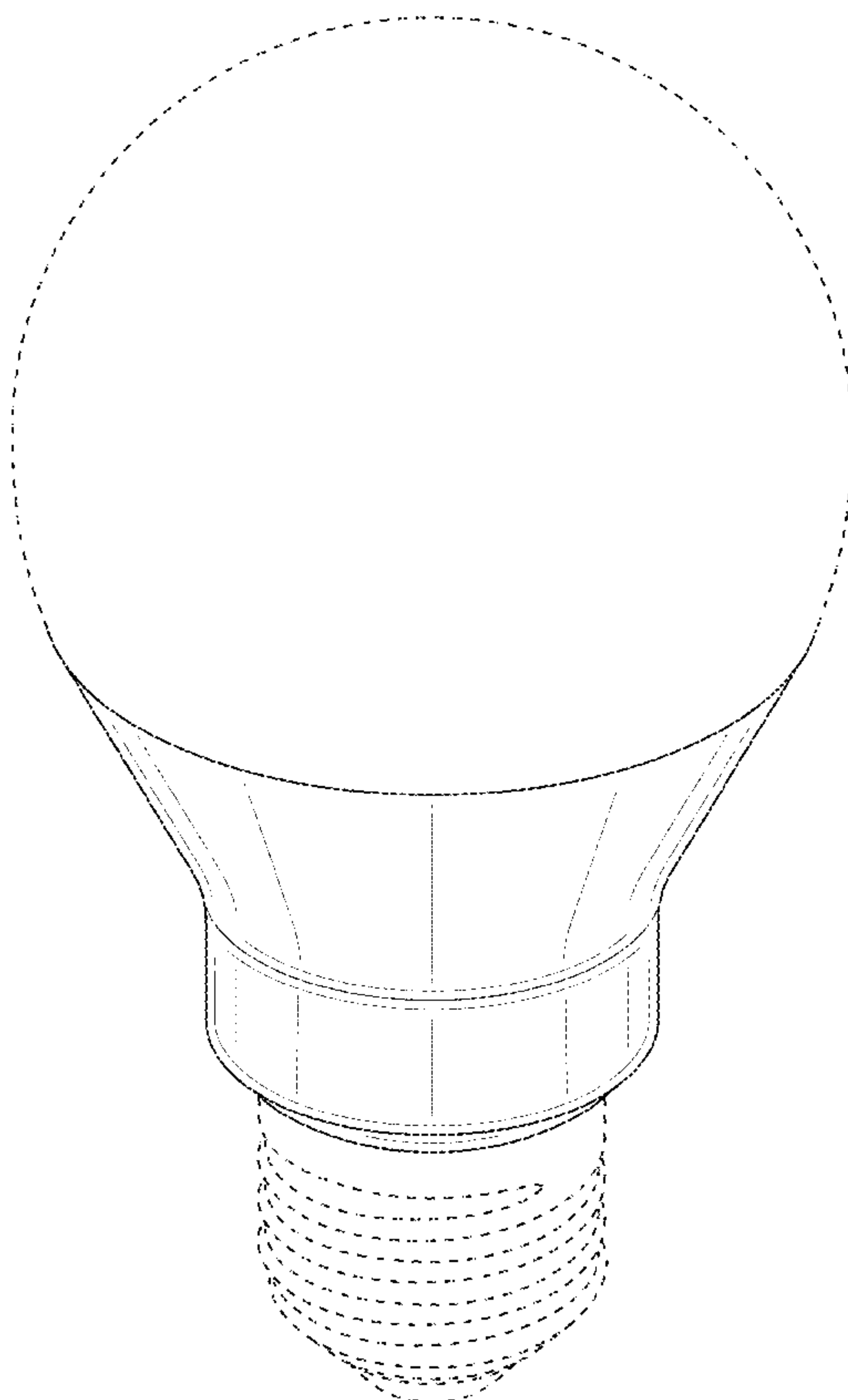
(57) **CLAIM**

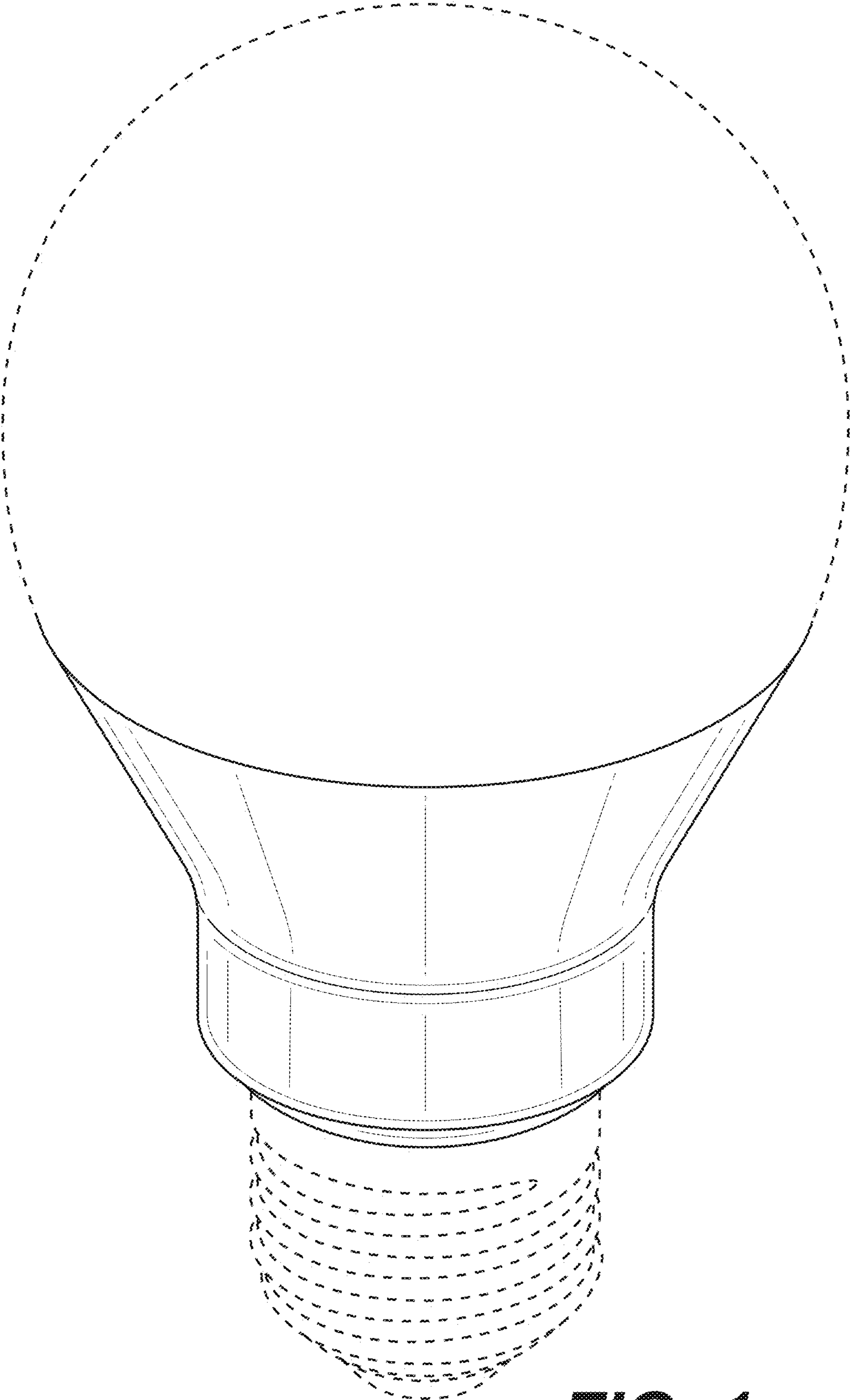
The ornamental design for a light bulb or portion thereof, as shown and described.

**DESCRIPTION**

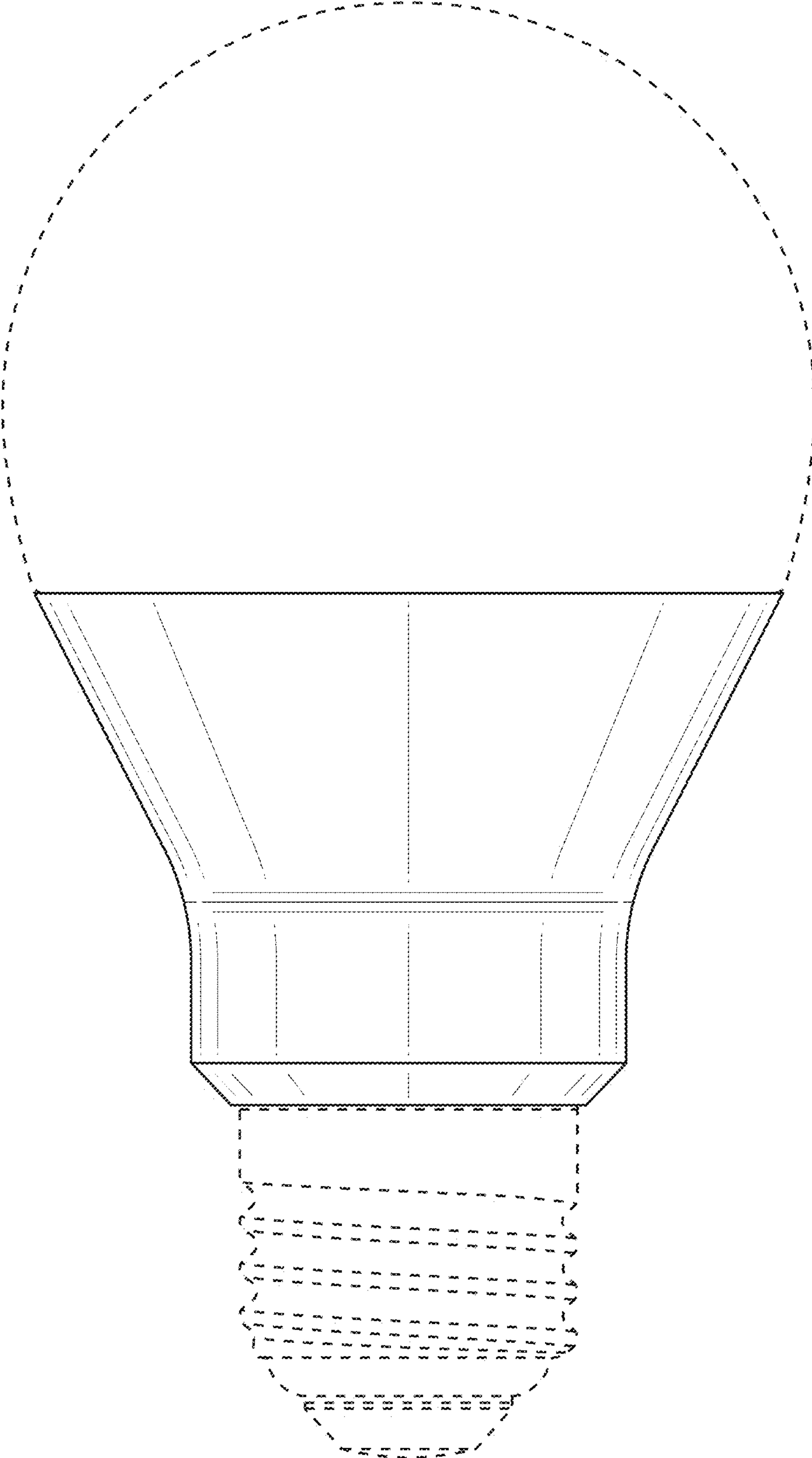
FIG. 1 is a front, top perspective view of a light bulb or portion thereof;  
FIG. 2 is a front elevation view thereof;  
FIG. 3 is a back elevation view thereof;  
FIG. 4 is a left-side elevation view thereof;  
FIG. 5 is a right-side elevation view thereof;  
FIG. 6 is a top plan view thereof; and,  
FIG. 7 is a bottom plan view thereof.  
The broken lines depict portions of the light bulb or portion thereof that form no part of the claimed design.

**1 Claim, 7 Drawing Sheets**

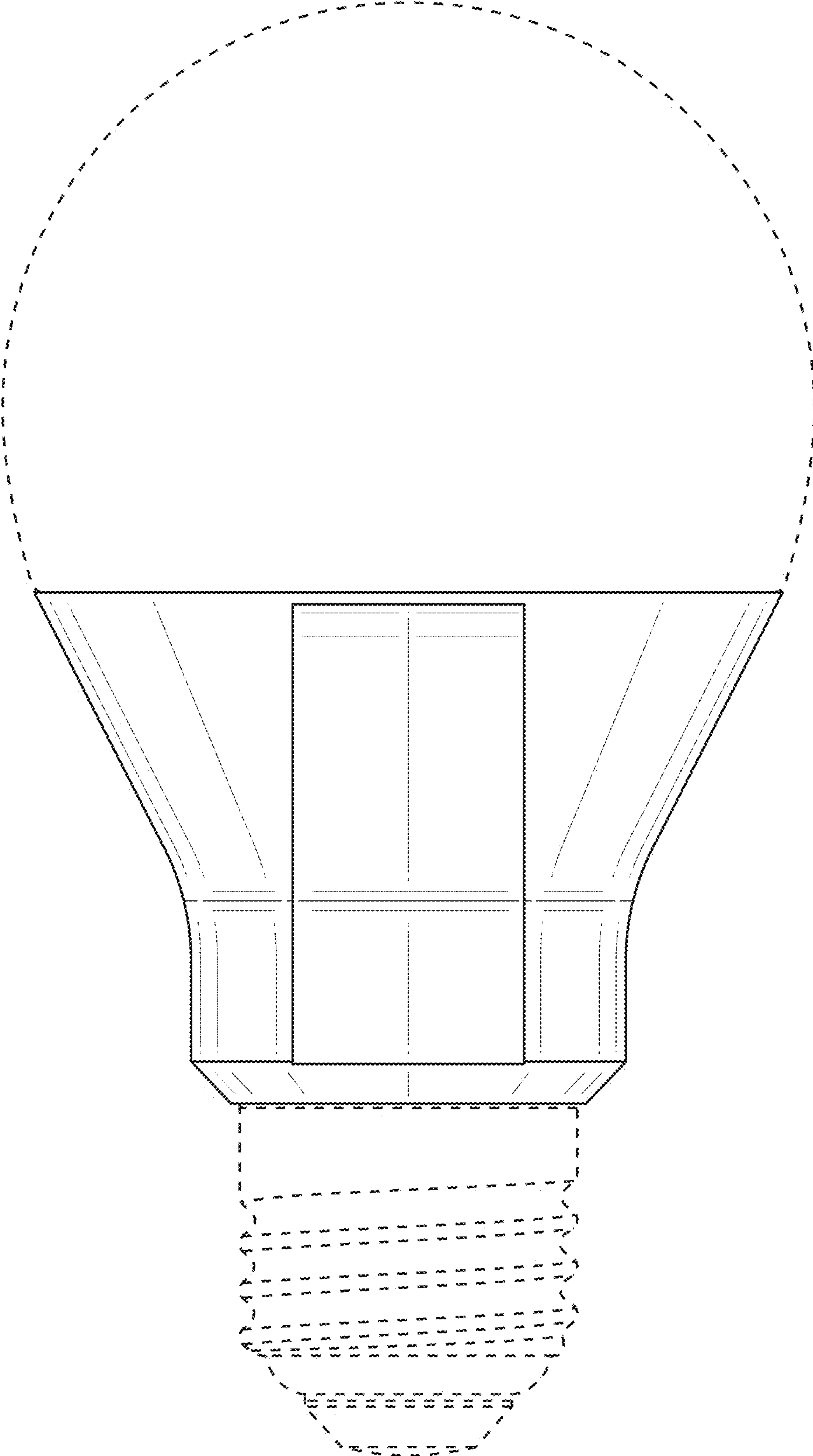




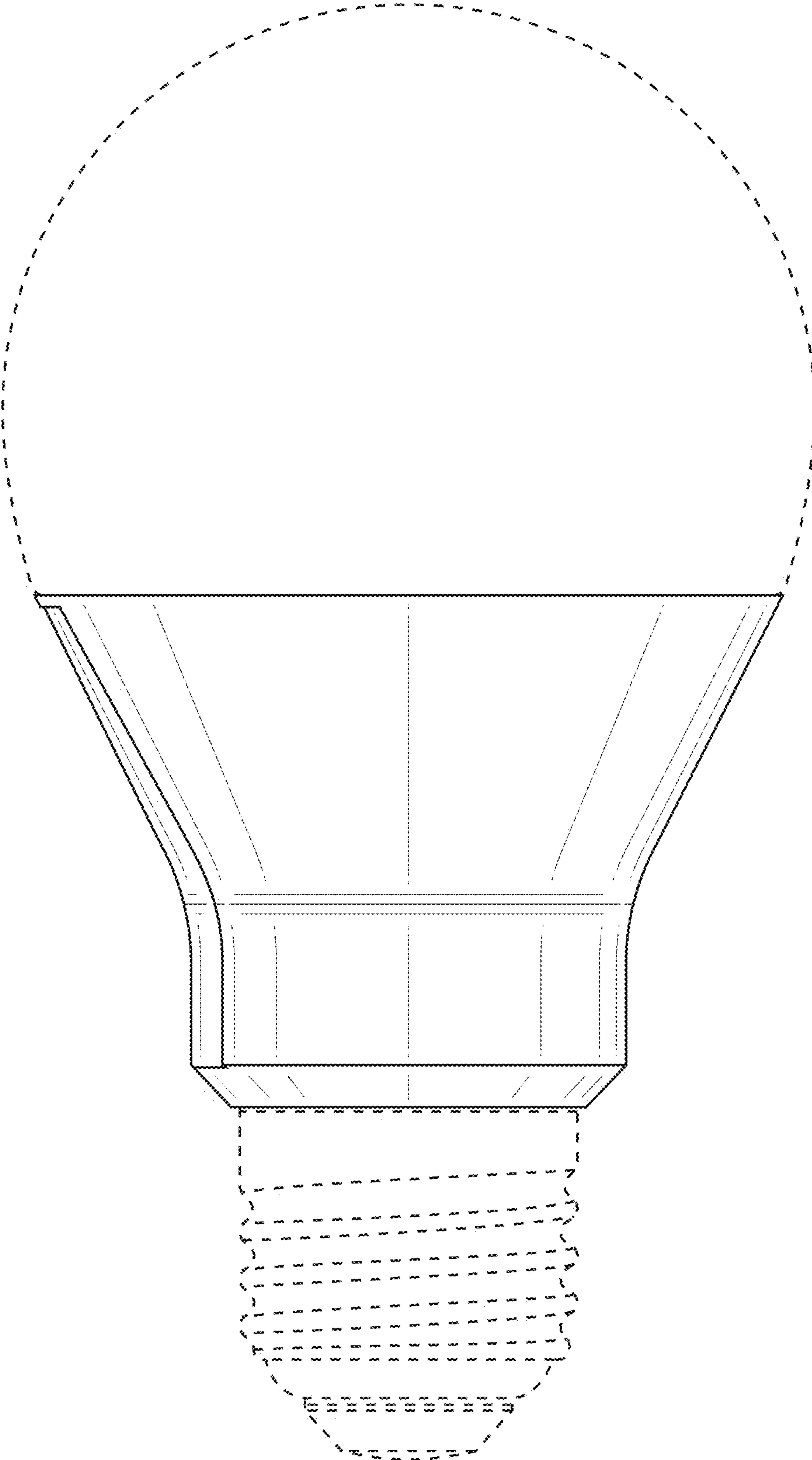
**FIG. 1**



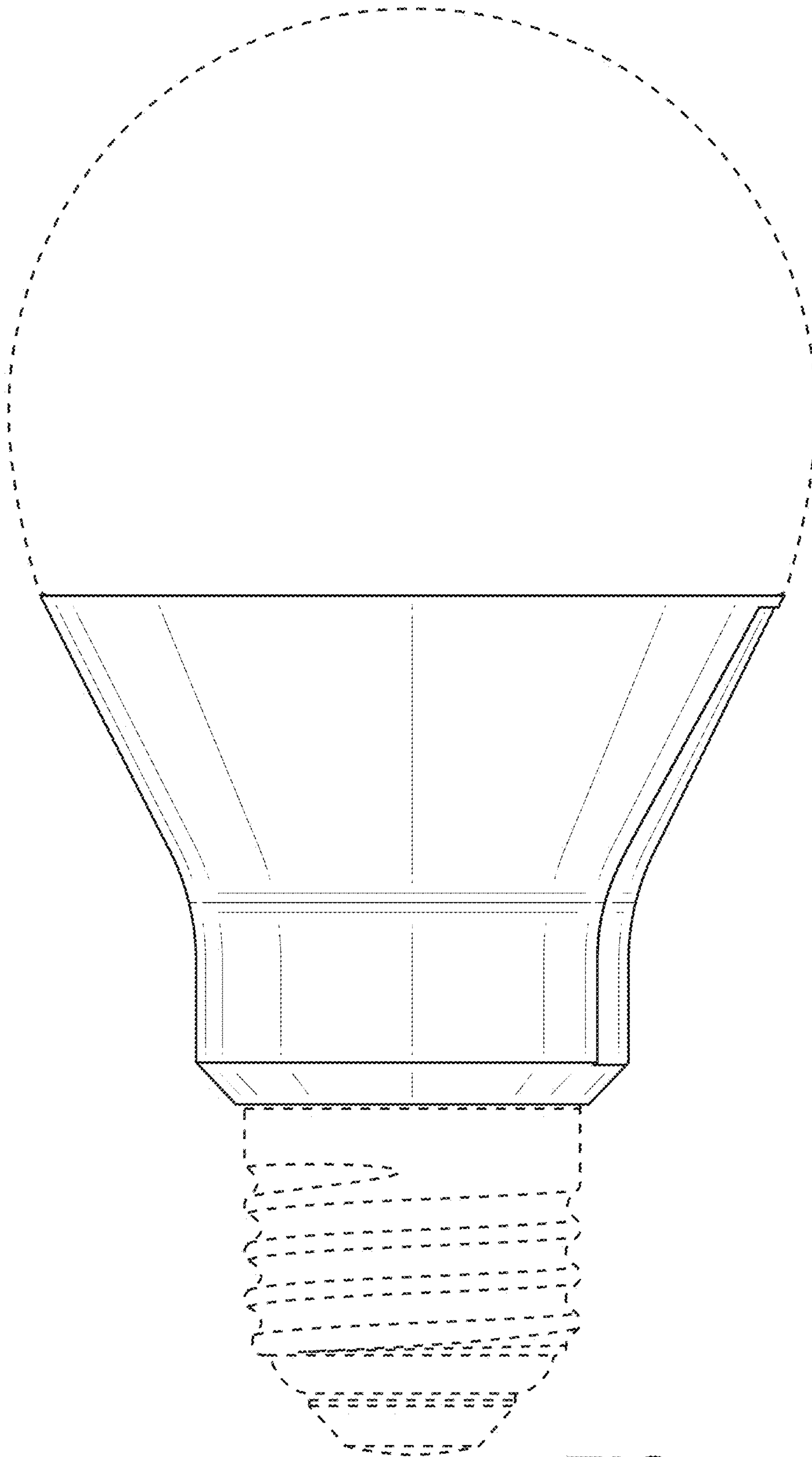
**FIG. 2**



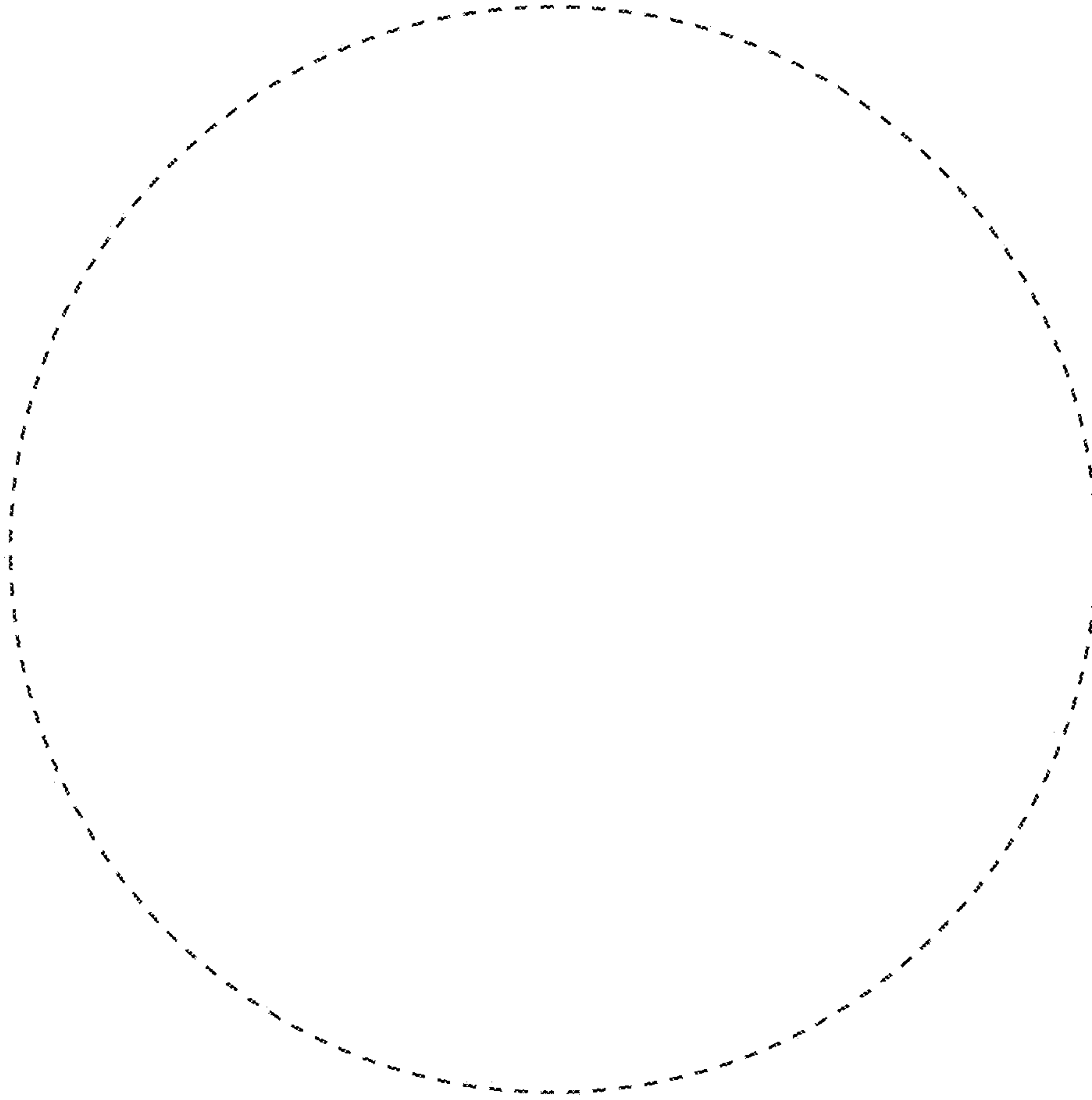
**FIG. 3**



**FIG. 4**

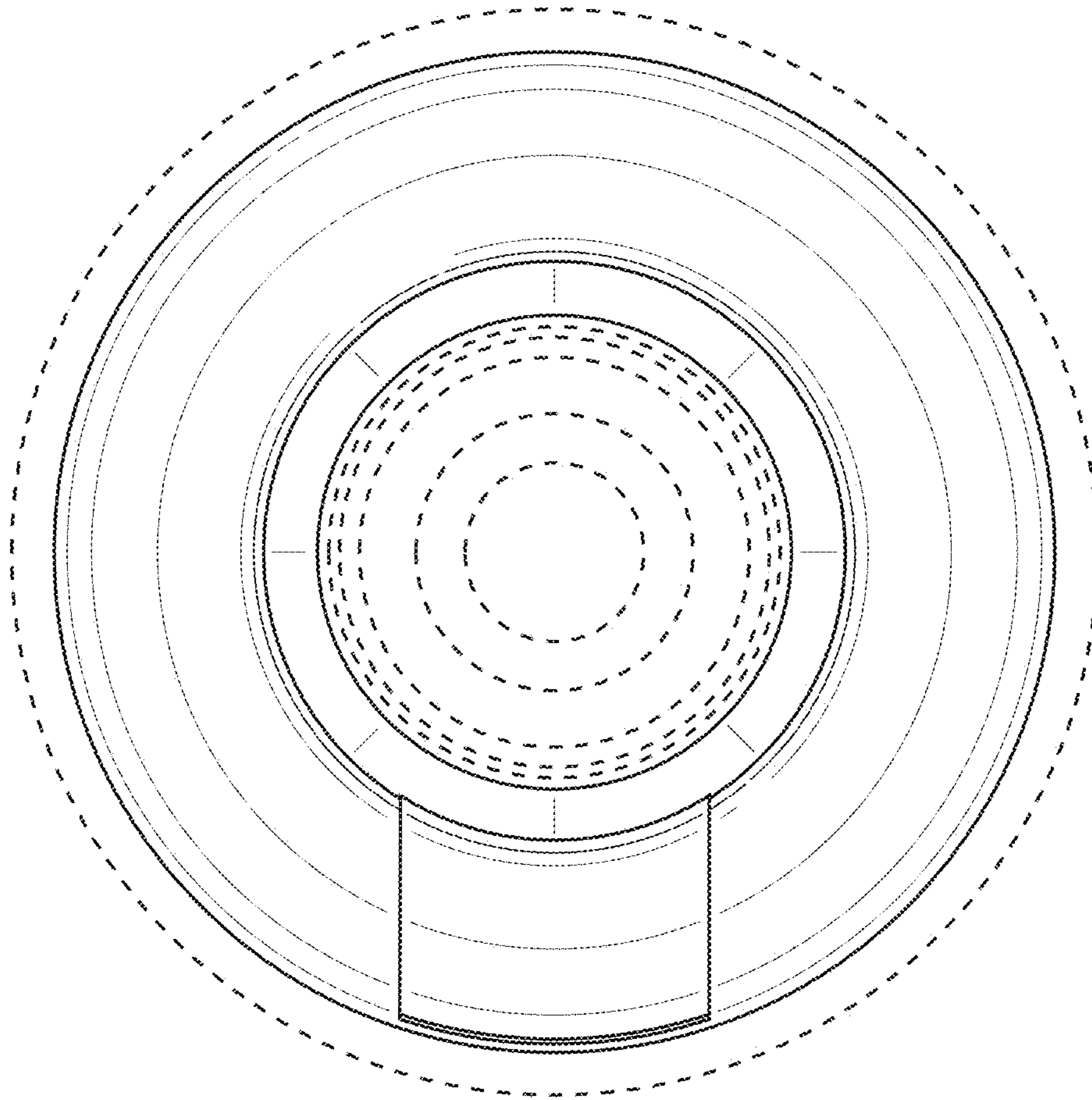


**FIG. 5**



***FIG. 6***





**FIG. 7**