



US00D939735S

(12) **United States Design Patent** (10) **Patent No.:** **US D939,735 S**
Stocks et al. (45) **Date of Patent:** **** Dec. 28, 2021**

(54) **ARCHITECTURAL PANEL**
(71) Applicant: **Smith & Fong Co.**, Novato, CA (US)
(72) Inventors: **Donald Angus Stocks**, Novato, CA (US); **Robin Reigi**, Staten Island, NY (US)
(73) Assignee: **Smith & Fong Co.**, Novato, CA (US)
(**) Term: **15 Years**
(21) Appl. No.: **29/713,731**
(22) Filed: **Nov. 18, 2019**
(51) **LOC (13) Cl.** **25-01**
(52) **U.S. Cl.**
USPC **D25/138**
(58) **Field of Classification Search**
USPC D25/119-125, 138, 139, 141-144, D25/159-162, 164
CPC E04D 1/02; E04D 1/06; E04D 1/18; E04D 1/24; E04D 1/26; E04D 1/265; E04D 2003/3617; E04D 3/00; E04D 3/02; E04D 3/04; E04D 3/16; E04D 3/361; E04D 3/368; E04F 13/00; E04F 13/007; E04F 13/072; E04F 13/074; E04F 13/075; E04F 13/076; E04F 13/078; E04F 13/08; E04F 13/26
See application file for complete search history.

(56) **References Cited**
U.S. PATENT DOCUMENTS
3,466,831 A * 9/1969 Lenoir E04C 2/292 D25/123
D215,963 S * 11/1969 Flachbarth D25/121
D216,836 S * 3/1970 Faulkner D25/125
3,674,620 A * 7/1972 McCarthy et al. B32B 23/08 D25/119
D263,752 S * 4/1982 Dallaire D25/125

D263,757 S * 4/1982 Dallaire D25/125
4,486,998 A * 12/1984 Hague E04D 3/3607 52/478
D390,732 S * 2/1998 Nadar D25/125
D426,321 S * 6/2000 Lockwood D25/138
D448,865 S * 10/2001 Manning D25/139
D603,533 S * 11/2009 Gleeson D25/125
D608,473 S * 1/2010 Larson D25/138
D667,963 S * 9/2012 Griffiths D25/125
D677,401 S * 3/2013 Griffiths D25/119
D687,976 S * 8/2013 Griffiths D25/119
D687,977 S * 8/2013 Griffiths D25/119
D690,442 S * 9/2013 Griffiths D25/119
D690,838 S * 10/2013 Griffiths D25/119
D698,944 S * 2/2014 Griffiths D25/119
D718,884 S * 12/2014 Thrush D25/125
D733,328 S * 6/2015 Griffiths D25/119
D733,329 S * 6/2015 Griffiths D25/119
D734,501 S * 7/2015 Bodwell D25/119
D781,461 S * 3/2017 Thrush D25/121
D805,219 S * 12/2017 Shen D25/138
D831,234 S * 10/2018 Clayton D25/141
D831,235 S * 10/2018 Clayton D25/141

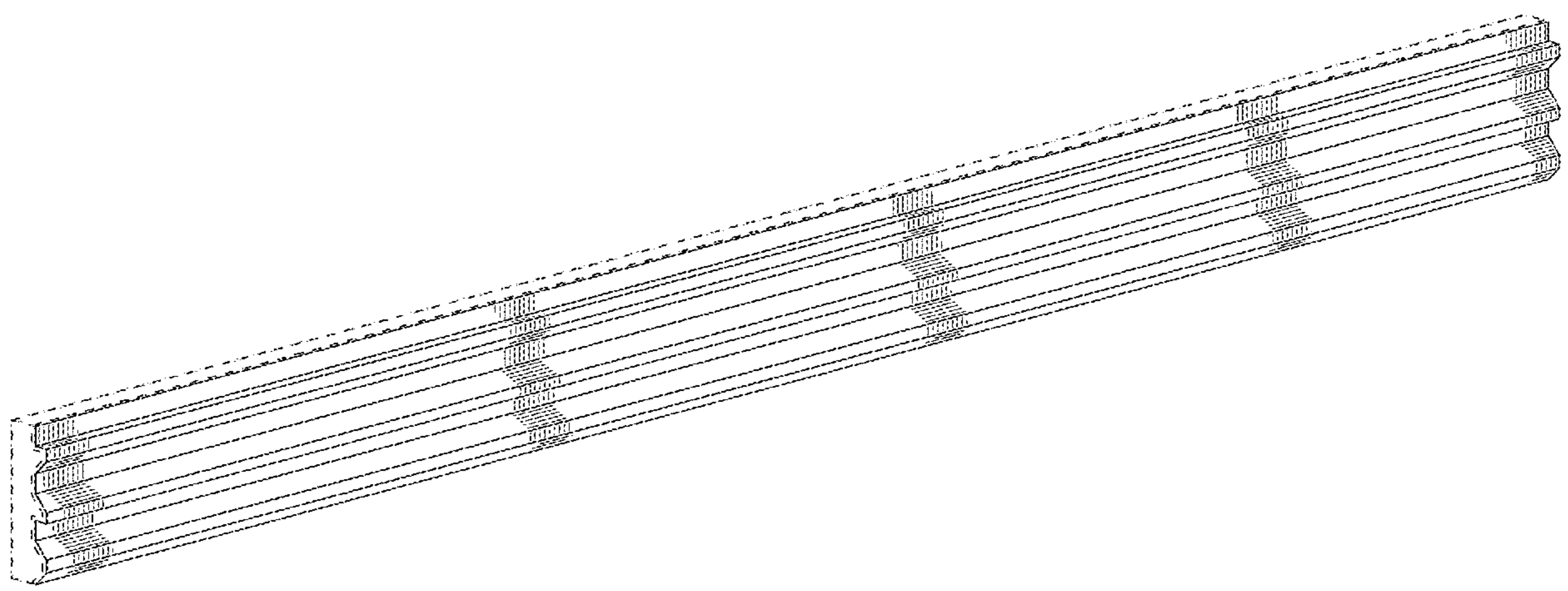
(Continued)

Primary Examiner — Llorelys Martinez
(74) *Attorney, Agent, or Firm* — Steven R. Vosen

(57) **CLAIM**
The ornamental design for an architectural panel, as shown and described.

DESCRIPTION
FIG. 1 is an upper front left perspective view of an architectural panel thereof showing our new design;
FIG. 2 is a front elevational view thereof;
FIG. 3 is a left side elevational view thereof, the right side elevational view being a mirror image thereof;
FIG. 4 is a top plan view thereof; and,
FIG. 5 is a bottom plan view thereof.
The broken lines in the drawings represent portions of the architectural panel that form no part of the claimed design.

1 Claim, 2 Drawing Sheets



(56)

References Cited

U.S. PATENT DOCUMENTS

2018/0030722 A1* 2/2018 Battaglia E04B 1/84
2019/0203477 A1* 7/2019 Hill E04F 13/007

* cited by examiner

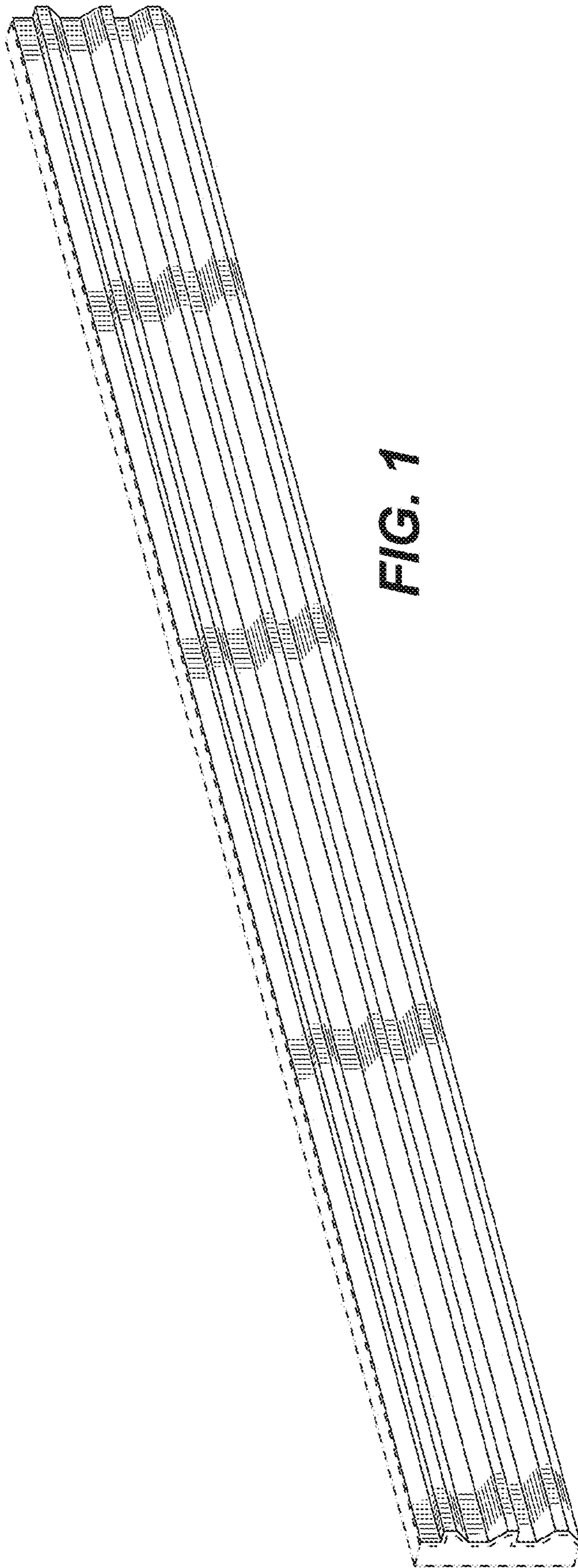


FIG. 1

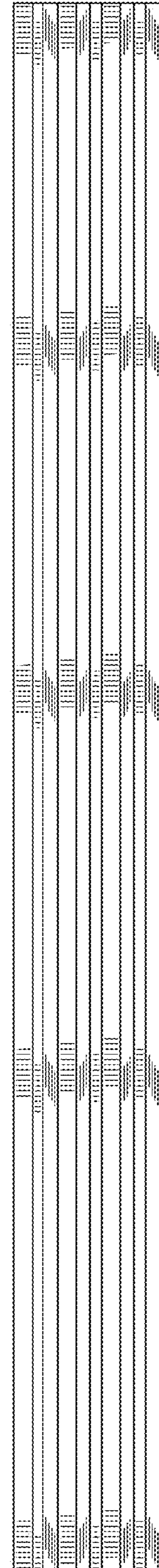


FIG. 2

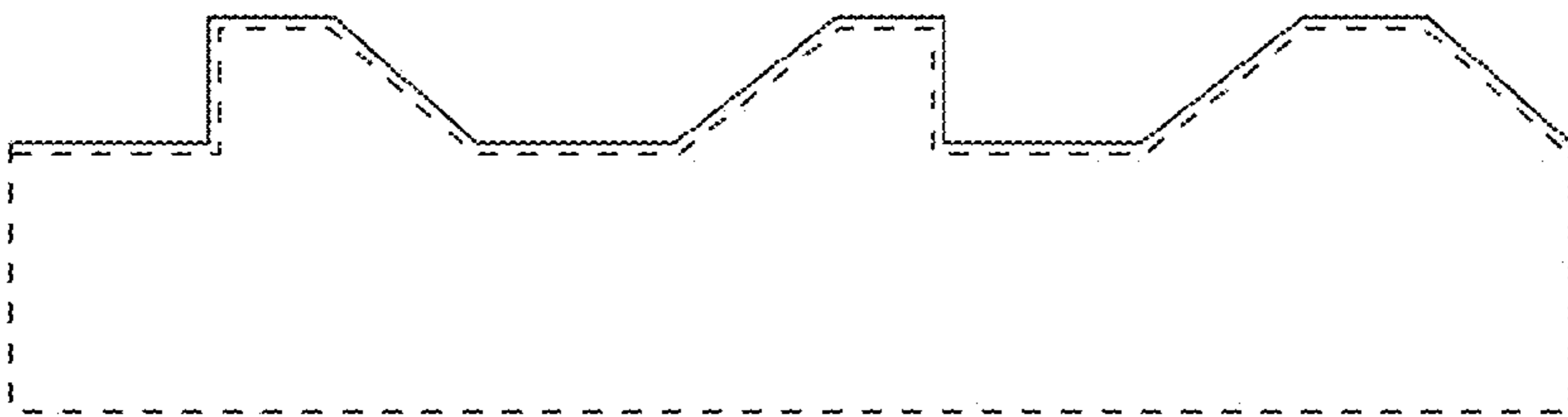


FIG. 3

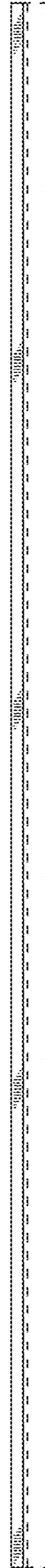


FIG. 4

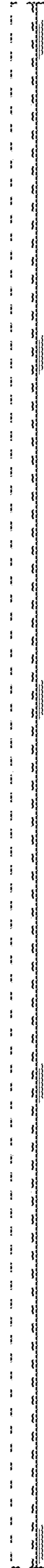


FIG. 5