



US00D939734S

(12) **United States Design Patent** (10) **Patent No.:** **US D939,734 S**
Stocks et al. (45) **Date of Patent:** **** Dec. 28, 2021**

- (54) **ARCHITECTURAL PANEL**
- (71) Applicant: **Smith & Fong Co.**, Novato, CA (US)
- (72) Inventors: **Donald Angus Stocks**, Novato, CA (US); **Robin Reigi**, Staten Island, NY (US)
- (73) Assignee: **Smith & Fong Co.**, Novato, CA (US)
- (**) Term: **15 Years**
- (21) Appl. No.: **29/713,728**
- (22) Filed: **Nov. 18, 2019**
- (51) **LOC (13) Cl.** **25-01**
- (52) **U.S. Cl.**
USPC **D25/138**
- (58) **Field of Classification Search**
USPC D25/119–125, 138, 139, 141–144, D25/159–162, 164
CPC E04D 1/02; E04D 1/06; E04D 1/18; E04D 1/24; E04D 1/26; E04D 1/265; E04D 2003/3617; E04D 3/00; E04D 3/02; E04D 3/04; E04D 3/16; E04D 3/361; E04D 3/368; E04F 13/00; E04F 13/007; E04F 13/072; E04F 13/074; E04F 13/075; E04F 13/076; E04F 13/078; E04F 13/08; E04F 13/26
See application file for complete search history.

- (56) **References Cited**
U.S. PATENT DOCUMENTS
3,466,831 A * 9/1969 Lenoir E04C 2/292 D25/123
D215,963 S * 11/1969 Flachbarth D25/121
D216,836 S * 3/1970 Faulkner D25/125
3,674,620 A * 7/1972 McArthy et al. B32B 3/28 D25/119
D263,752 S * 4/1982 Dallaire D25/125

- D263,757 S * 4/1982 Dallaire D25/125
- 4,486,998 A * 12/1984 Hague E04D 3/3607 52/478
- D390,732 S * 2/1998 Nadar D25/125
- D426,321 S * 6/2000 Lockwood D25/138
- D448,865 S * 10/2001 Manning D25/139
- D603,533 S * 11/2009 Gleeson D25/125
- D608,473 S * 1/2010 Larson D25/138
- D667,963 S * 9/2012 Griffiths D25/125
- D677,401 S * 3/2013 Griffiths D25/119
- D687,976 S * 8/2013 Griffiths D25/119
- D690,442 S * 9/2013 Griffiths D25/119
- D690,838 S * 10/2013 Griffiths D25/119
- D698,944 S * 2/2014 Griffiths D25/119
- D718,884 S * 12/2014 Thrush D25/125
- D733,328 S * 6/2015 Griffiths D25/119
- D733,329 S * 6/2015 Griffiths D25/119
- D734,501 S * 7/2015 Bodwell D25/119
- D781,461 S * 3/2017 Thrush D25/121
- D805,219 S * 12/2017 Shen D25/138
- D831,234 S * 10/2018 Clayton D25/141
- D831,235 S * 10/2018 Clayton D25/141

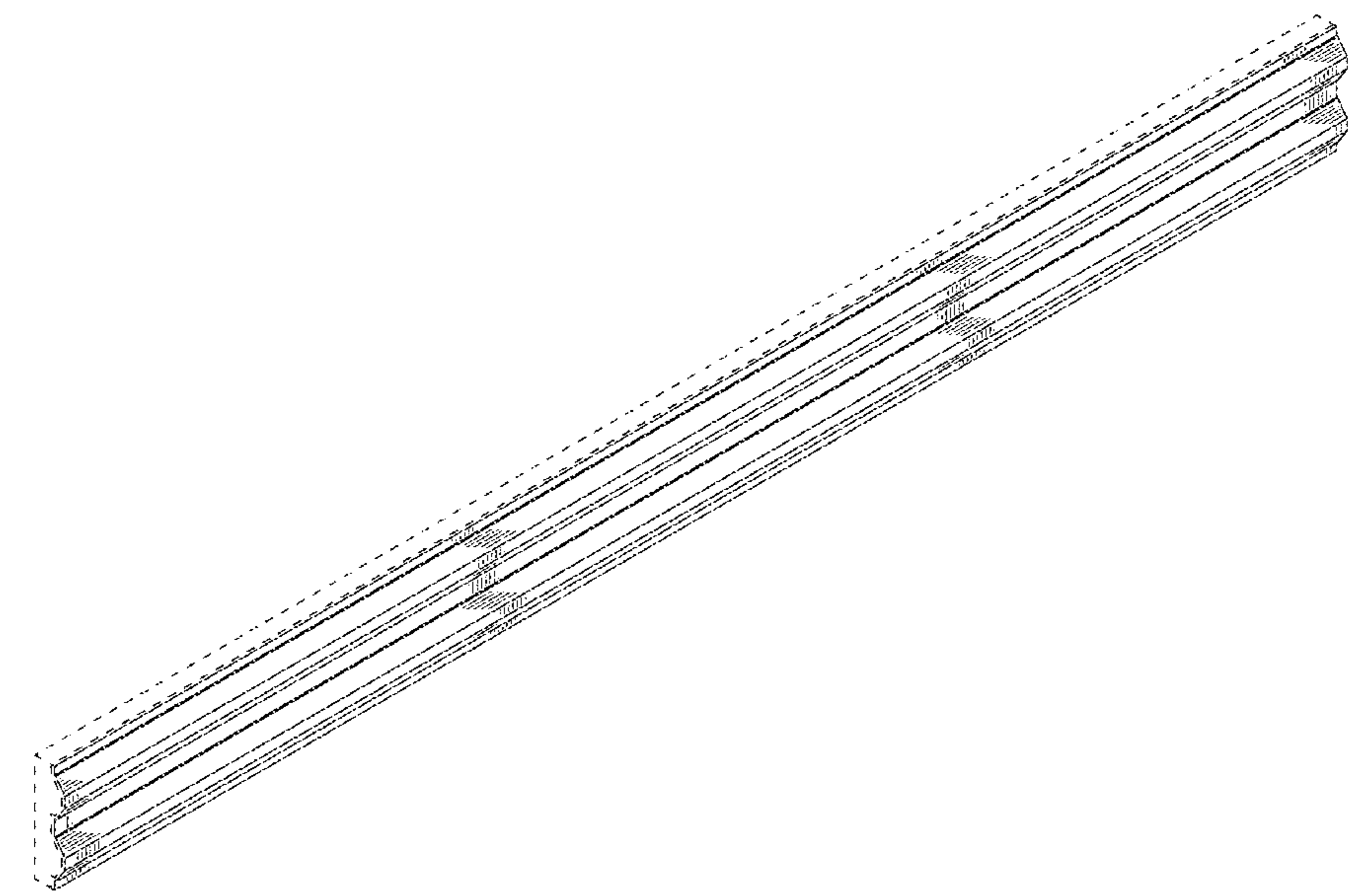
(Continued)

Primary Examiner — Llorellys Martinez
(74) *Attorney, Agent, or Firm* — Steven R. Vosen

(57) **CLAIM**
We claim the ornamental design for an architectural panel, as shown and described.

DESCRIPTION
FIG. 1 is an upper front left perspective view of an architectural panel showing our new design; FIG. 2 is a front elevational view thereof; FIG. 3 is a left side elevational view thereof, the right side elevational view being a mirror image thereof; and, FIG. 4 is a top plan view thereof, the bottom plan view being identical thereto.
The broken lines in the drawings represent portions of the architectural panel that form no part of the claimed design.

1 Claim, 2 Drawing Sheets



(56)

References Cited

U.S. PATENT DOCUMENTS

2018/0030722 A1* 2/2018 Battaglia E04B 1/84
2019/0203477 A1* 7/2019 Hill E04F 13/007

* cited by examiner

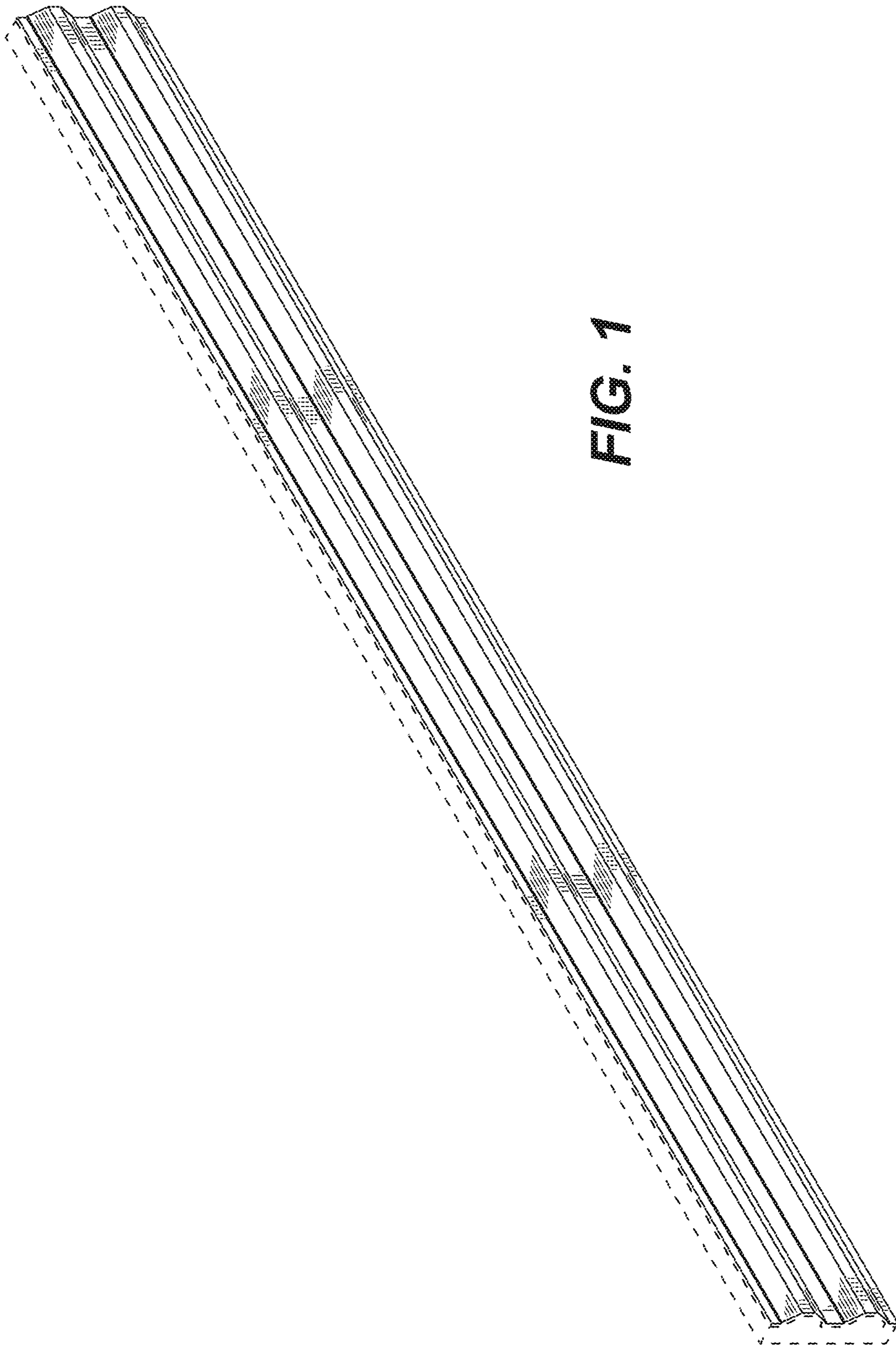


FIG. 1

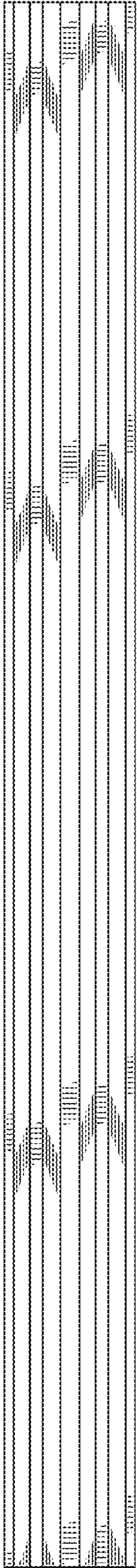


FIG. 2

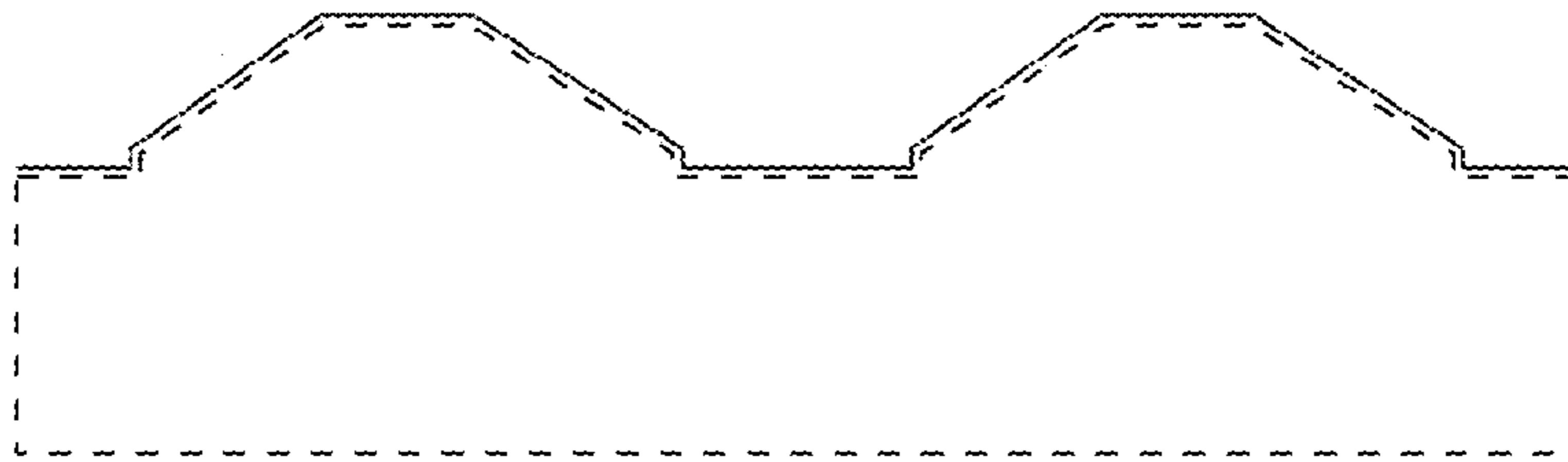


FIG. 3



FIG. 4