



US00D939733S

(12) **United States Design Patent** (10) **Patent No.:** **US D939,733 S**  
**Stocks et al.** (45) **Date of Patent:** **\*\* Dec. 28, 2021**

(54) **ARCHITECTURAL PANEL**  
(71) Applicant: **Smith & Fong Co.**, Novato, CA (US)  
(72) Inventors: **Donald Angus Stocks**, Novato, CA (US); **Robin Reigi**, Staten Island, NY (US)  
(73) Assignee: **Smith & Fong Co.**, Novato, CA (US)  
(\*\*) Term: **15 Years**  
(21) Appl. No.: **29/713,727**  
(22) Filed: **Nov. 18, 2019**  
(51) **LOC (13) Cl.** ..... **25-01**  
(52) **U.S. Cl.**  
USPC ..... **D25/138**  
(58) **Field of Classification Search**  
USPC ..... D25/119–125, 138, 139, 141–144, D25/159–162, 164  
CPC .... E04D 1/02; E04D 1/06; E04D 1/18; E04D 1/24; E04D 1/26; E04D 1/265; E04D 2003/3617; E04D 3/00; E04D 3/02; E04D 3/04; E04D 3/16; E04D 3/361; E04D 3/368; E04F 13/00; E04F 13/007; E04F 13/072; E04F 13/074; E04F 13/075; E04F 13/076; E04F 13/078; E04F 13/08; E04F 13/26  
See application file for complete search history.

4,486,998 A \* 12/1984 Hague ..... E04F 13/12 52/478  
D390,732 S \* 2/1998 Nadar ..... D25/125  
D426,321 S \* 6/2000 Lockwood ..... D25/138  
D448,865 S \* 10/2001 Manning ..... D25/139  
D603,533 S \* 11/2009 Gleeson ..... D25/125  
D608,473 S \* 1/2010 Larson ..... D25/138  
D667,963 S \* 9/2012 Griffiths ..... D25/125  
D677,401 S \* 3/2013 Griffiths ..... D25/119  
D687,976 S \* 8/2013 Griffiths ..... D25/119  
D687,977 S \* 8/2013 Griffiths ..... D25/119  
D690,442 S \* 9/2013 Griffiths ..... D25/119  
D690,838 S \* 10/2013 Griffiths ..... D25/119  
D698,944 S \* 2/2014 Griffiths ..... D25/119  
D718,884 S \* 12/2014 Thrush ..... D25/125  
D733,328 S \* 6/2015 Griffiths ..... D25/119  
D733,329 S \* 6/2015 Griffiths ..... D25/119  
D734,501 S \* 7/2015 Bodwell ..... D25/119  
D781,461 S \* 3/2017 Thrush ..... D25/121  
D805,219 S \* 12/2017 Shen ..... D25/138  
D831,234 S \* 10/2018 Clayton ..... D25/141  
D831,235 S \* 10/2018 Clayton ..... D25/141  
2018/0030722 A1 \* 2/2018 Battaglia ..... E04B 1/84  
2019/0203477 A1 \* 7/2019 Hill ..... E04F 13/007

\* cited by examiner

*Primary Examiner* — Llorellys Martinez  
(74) *Attorney, Agent, or Firm* — Steven R. Vosen

(57) **CLAIM**

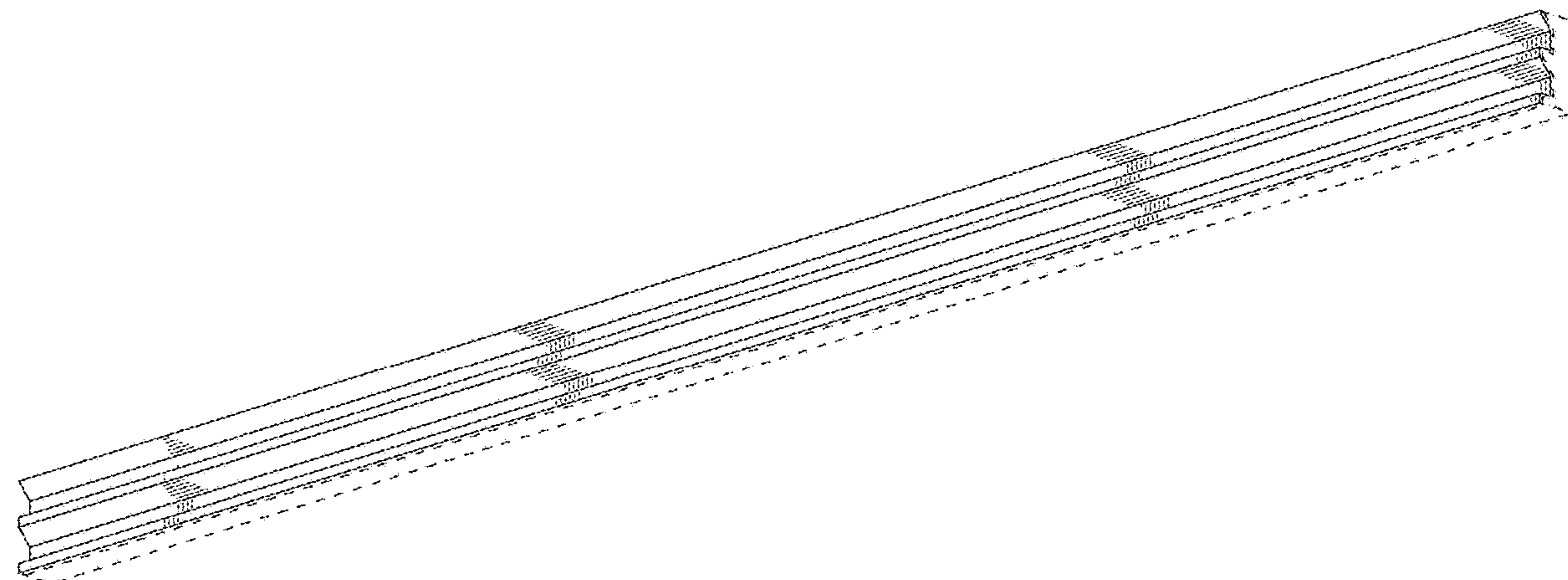
We claim the ornamental design for an architectural panel, as shown and described.

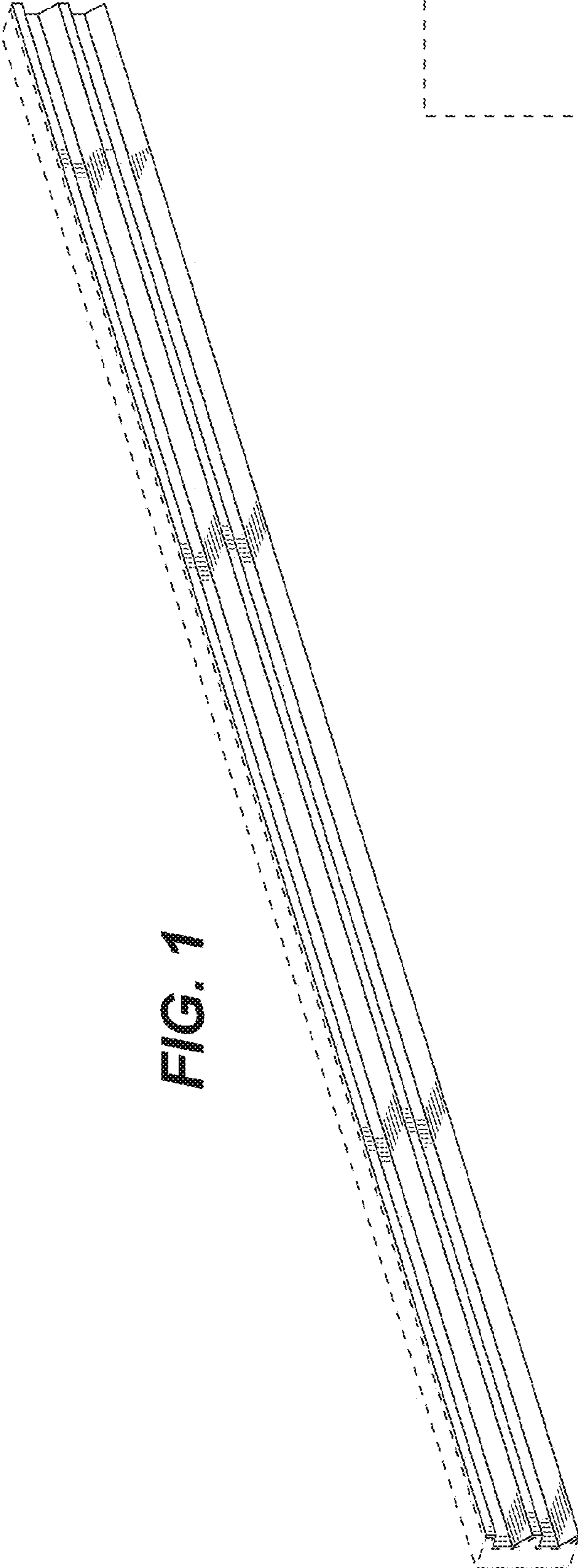
**DESCRIPTION**

FIG. 1 is an upper front left perspective view of an architectural panel showing our new design; FIG. 2 is a front elevational view thereof; and, FIG. 3 is a left side elevational view thereof, the right side elevational view being a mirror image thereof. The broken lines in the drawings represent portions of the architectural panel that form no part of the claimed design.

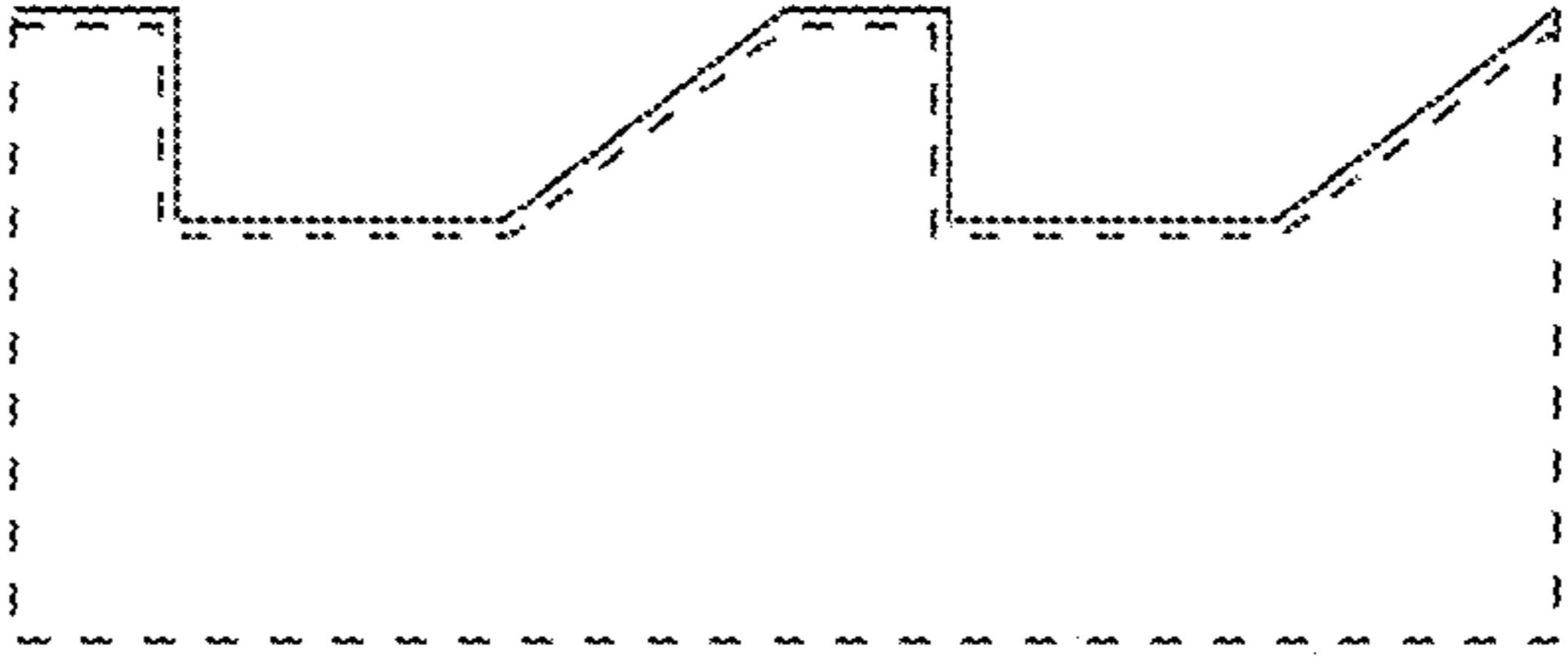
**1 Claim, 1 Drawing Sheet**

(56) **References Cited**  
U.S. PATENT DOCUMENTS  
3,466,831 A \* 9/1969 Lenoir ..... E04C 2/292 D25/123  
D215,963 S \* 11/1969 Flachbarth ..... D25/121  
D216,836 S \* 3/1970 Faulkner ..... D25/125  
3,674,620 A \* 7/1972 MCarthy et al. .... B32B 3/28 D25/119  
D263,752 S \* 4/1982 Dallaire ..... D25/125  
D263,757 S \* 4/1982 Dallaire ..... D25/125

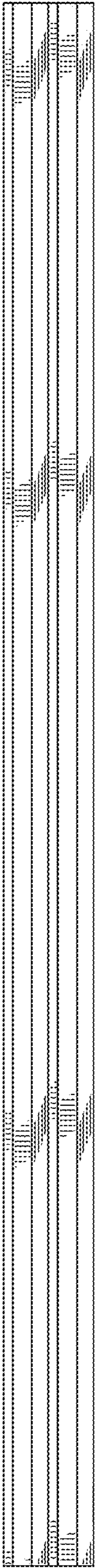




**FIG. 1**



**FIG. 3**



**FIG. 2**