

US00D939732S

(12) **United States Design Patent**  
**Nelson**

(10) **Patent No.:** **US D939,732 S**

(45) **Date of Patent:** **\*\* Dec. 28, 2021**

- (54) **MODULAR FLOORING TILE**
- (71) Applicant: **SWISSTRAX, LLC**, Dalton, GA (US)
- (72) Inventor: **Randy Nelson**, Indio, CA (US)
- (73) Assignee: **Swisstrax, LLC**, Dalton, GA (US)
- (\*\*) Term: **15 Years**
- (21) Appl. No.: **29/709,602**
- (22) Filed: **Oct. 16, 2019**

D898,955 S \* 10/2020 Huang ..... D25/163  
 D900,346 S \* 10/2020 Rosan ..... D25/138  
 2019/0117040 A1 \* 4/2019 Knight ..... B32B 27/308  
 2019/0186155 A1 \* 6/2019 Huss ..... E04F 15/02038

\* cited by examiner

*Primary Examiner* — Kimberly Barnes

(74) *Attorney, Agent, or Firm* — Avant Law Group, LLC

(57) **CLAIM**

The ornamental design for a modular flooring tile, as shown and described.

**Related U.S. Application Data**

- (63) Continuation of application No. 29/579,724, filed on Oct. 3, 2016, now Pat. No. Des. 866,006.
- (51) **LOC (13) Cl.** ..... **25-01**
- (52) **U.S. Cl.**  
USPC ..... **D25/138**
- (58) **Field of Classification Search**  
USPC ..... D25/138-163, 113, 117; 52/177, 181  
CPC . E04F 15/22; E04F 15/02; E04F 15/16; E04F 11/16; E04B 2/00; E04B 5/43  
See application file for complete search history.

**DESCRIPTION**

FIG. 1 is a perspective view of a modular flooring tile showing my new design.  
 FIG. 2 is a front view of the modular flooring tile of FIG. 1.  
 FIG. 3 is a back view of the modular flooring tile of FIG. 1.  
 FIG. 4 is a left side view of the modular flooring tile of FIG. 1.  
 FIG. 5 is a right side view of the modular flooring tile of FIG. 1.  
 FIG. 6 is a top view of the modular flooring tile of FIG. 1; and,  
 FIG. 7 is a bottom view of the modular flooring tile of FIG. 1.

The modular flooring tile is shown with symbolic breaks in its length and width using dot-dash lines. The appearance of any portion of the article between the break lines forms no part of the claimed design.

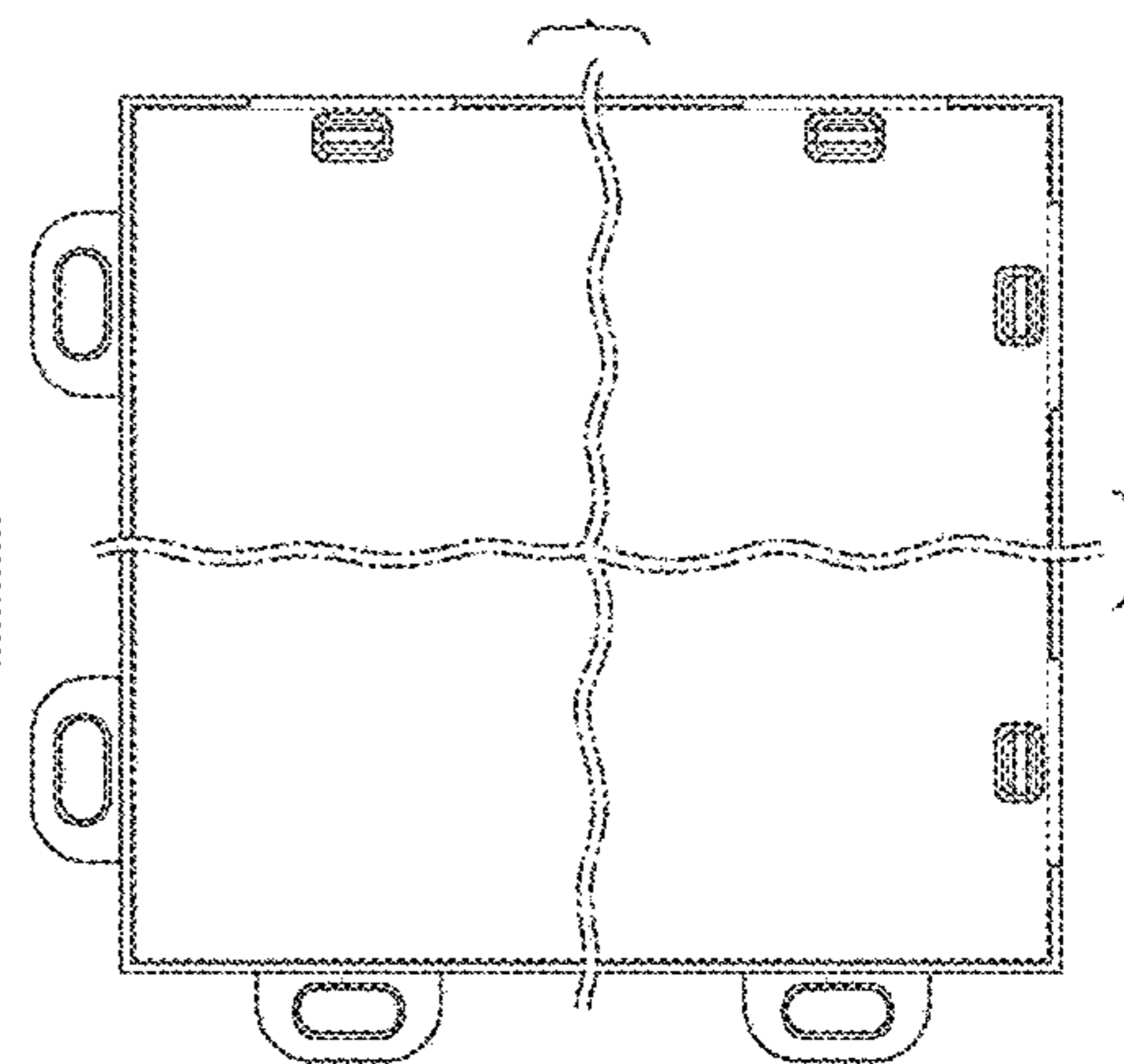
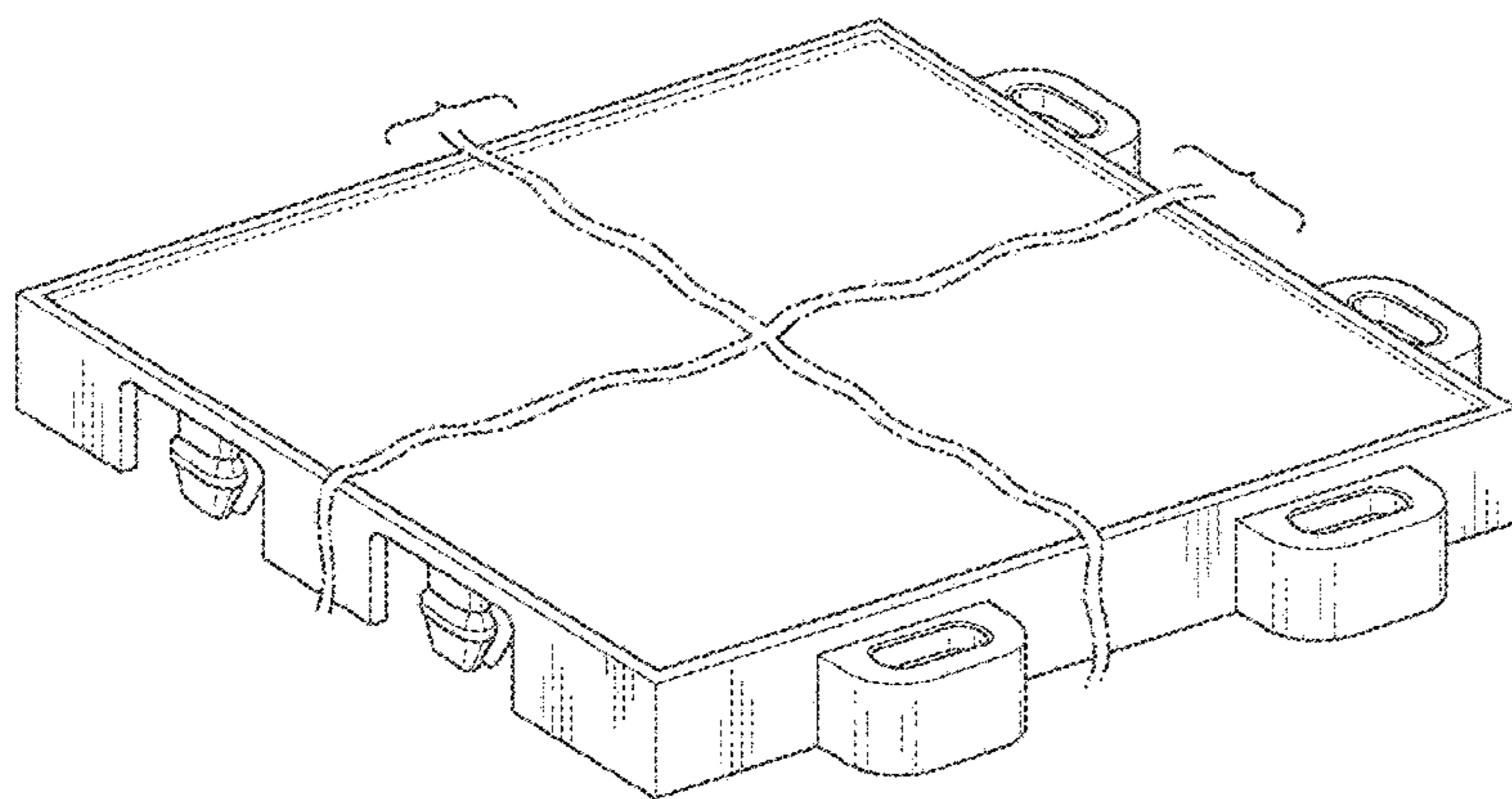
The dashed lines in FIGS. 1, 6 and 7 along the perimeter of the interior space of the tile depict portions of the modular flooring tile that form no part of the claimed design.

(56) **References Cited**

**U.S. PATENT DOCUMENTS**

D740,591 S \* 10/2015 Huss ..... D6/592  
 9,487,923 B2 \* 11/2016 Masanek, Jr. .... E01C 5/226  
 10,196,826 B1 \* 2/2019 Rosan ..... E04F 15/02452  
 10,214,922 B2 \* 2/2019 Moller, Jr. .... E04F 15/02038  
 D866,006 S \* 11/2019 Nelson ..... D25/138  
 D869,692 S \* 12/2019 Qian ..... D25/152  
 D898,232 S \* 10/2020 Huang ..... D25/163  
 D898,954 S \* 10/2020 Huang ..... D25/163

**1 Claim, 3 Drawing Sheets**



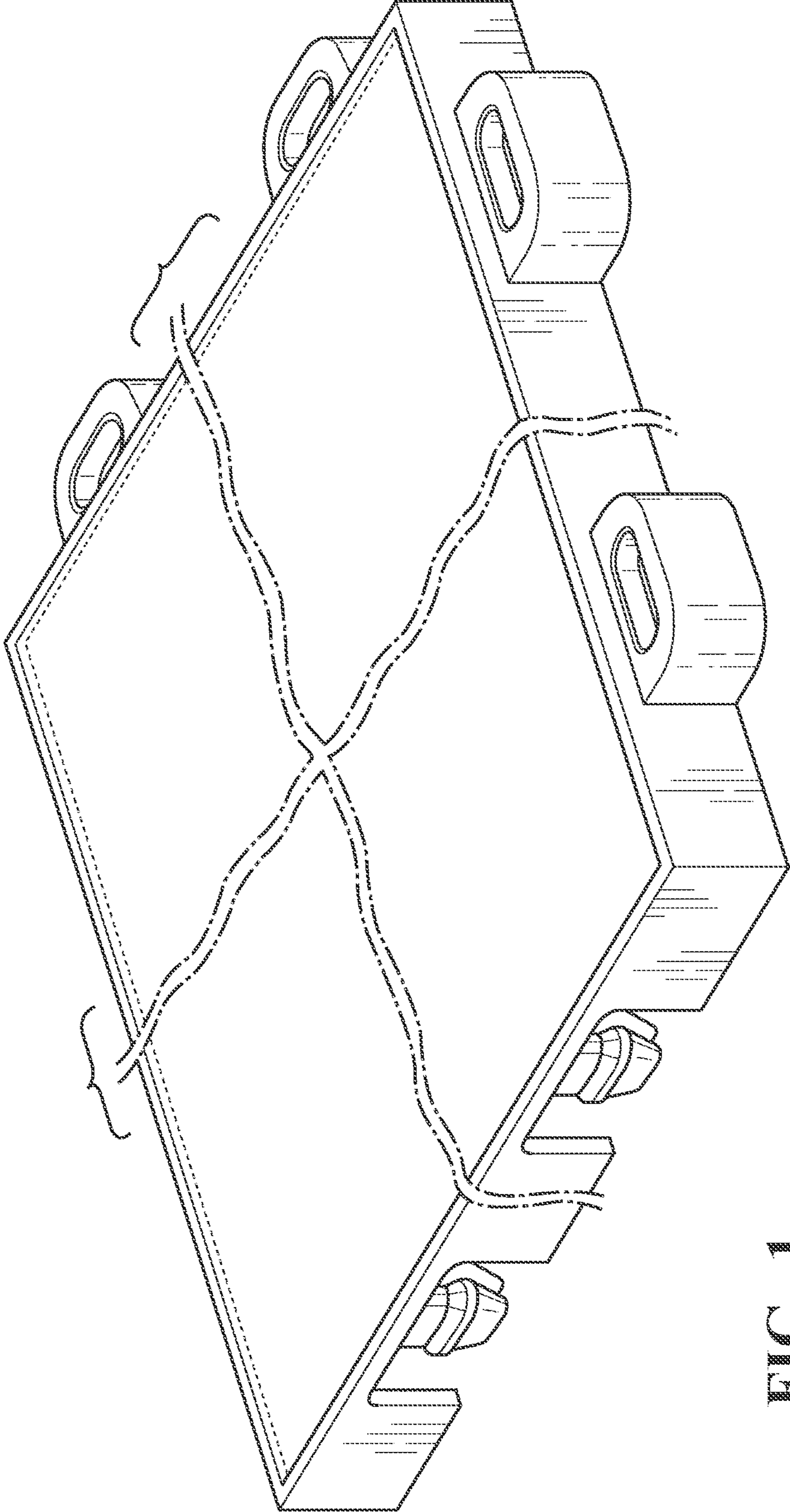


FIG. 1

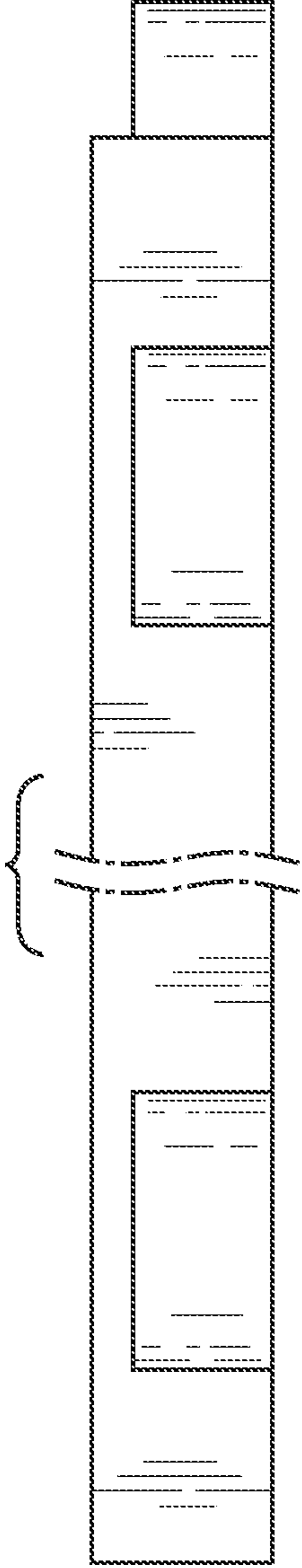


FIG. 2

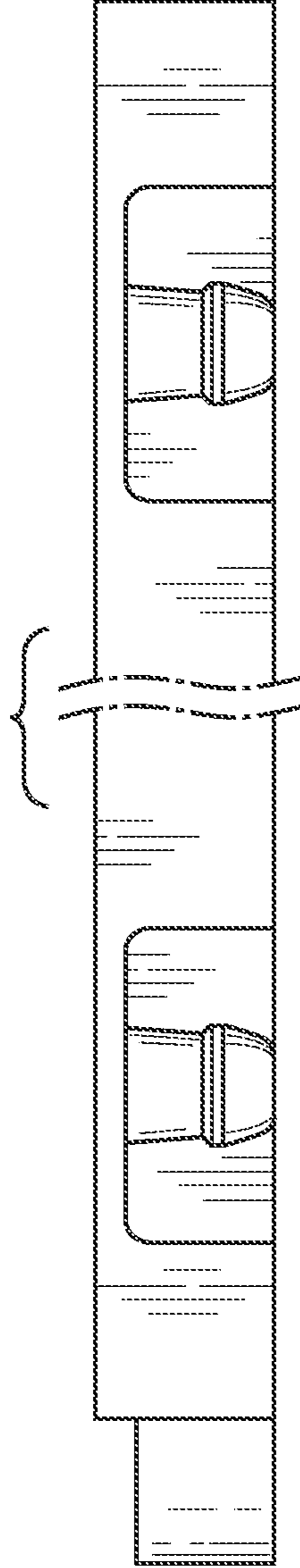


FIG. 3

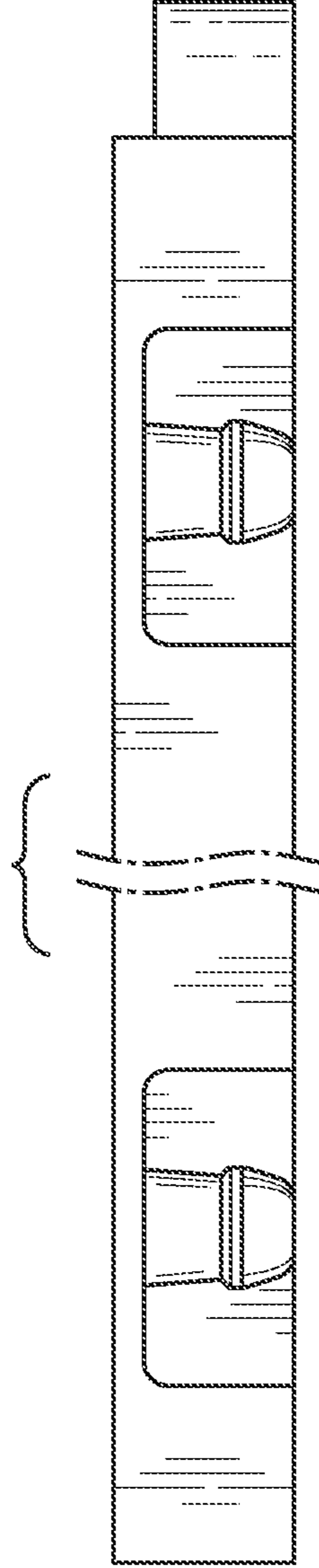


FIG. 4

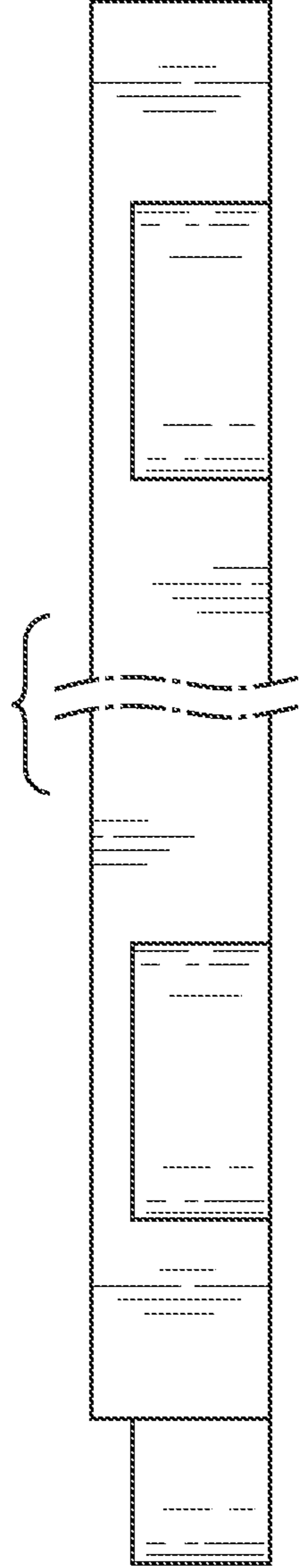


FIG. 5



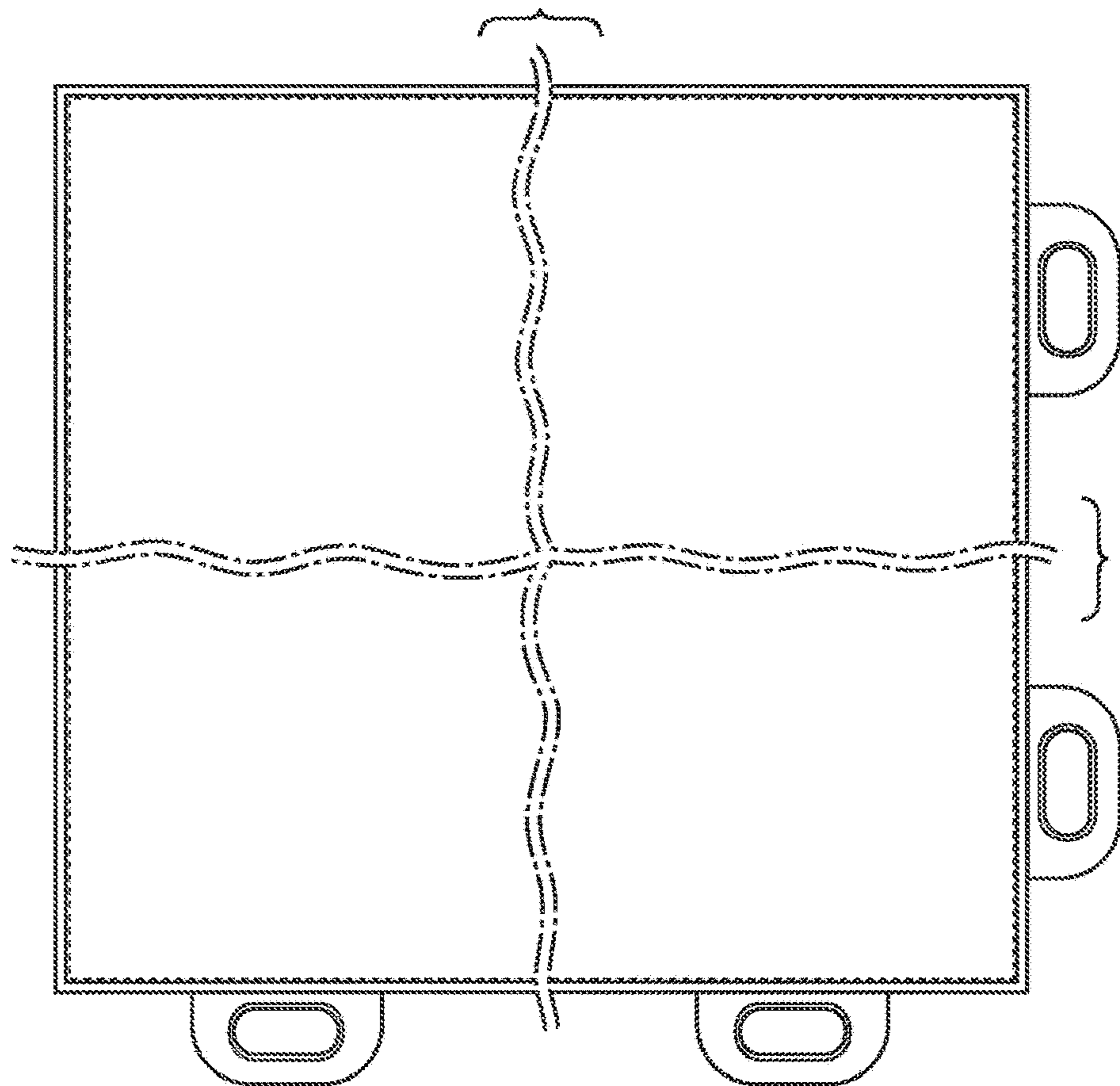


FIG. 6

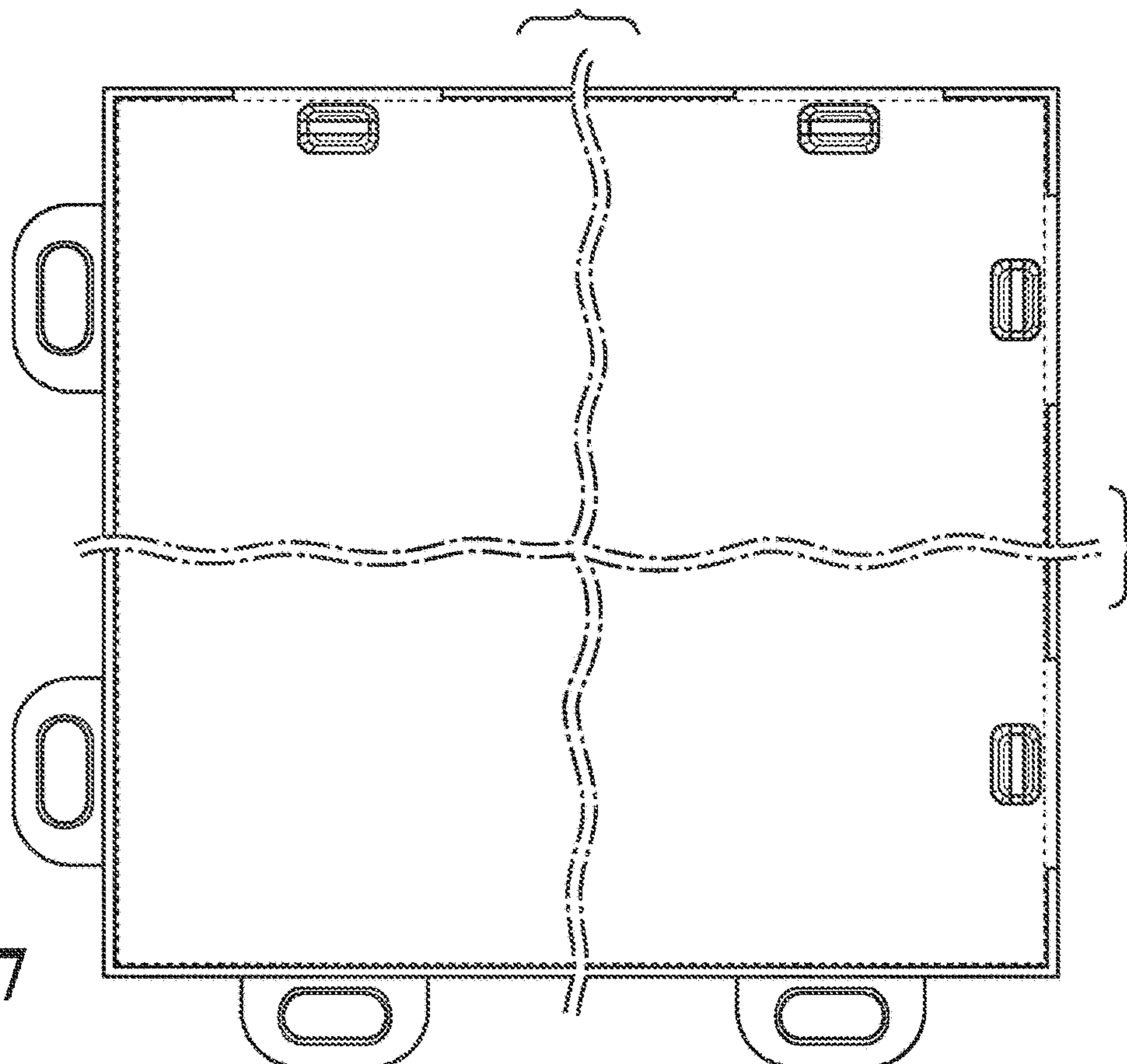


FIG. 7