



US00D939731S

(12) **United States Design Patent** (10) **Patent No.:** **US D939,731 S**
Styrc et al. (45) **Date of Patent:** **** *Dec. 28, 2021**

(54) **CONNECTOR FOR A MODULAR STRUCTURE**

(71) Applicant: **2724889 ONTARIO INC.**, Oakville (CA)

(72) Inventors: **Jacek Styrc**, Oakville (CA); **Sebastian Lysiak**, Bielsko-Biala (PL)

(73) Assignee: **2724889 ONTARIO INC.**, Oakville (CA)

(*) Notice: This patent is subject to a terminal disclaimer.

(**) Term: **15 Years**

(21) Appl. No.: **29/746,181**

(22) Filed: **Aug. 12, 2020**

(51) **LOC (13) Cl.** **25-01**

(52) **U.S. Cl.**
USPC **D25/133**

(58) **Field of Classification Search**

USPC D25/119, 125, 126, 127, 128, 129, 130, D25/131, 132, 133, 134, 135, 136; D8/349, 354, 382, 383, 384, 403; D21/468, 471, 478, 479
CPC A47B 47/0008; A47B 47/03; E01B 11/24; E02D 27/42; E04B 1/4157; E04B 1/58; E04B 1/617; E04B 2001/4192; E04B 2/58; E04B 2/56; E04B 2/70; E04B 1/1912; E04B 1/2688; E04B 2001/1963; E04B 2001/199; E04B 2001/1993; E04B 2001/266; E04B 2001/2676; E04B 2001/1984; E04F 13/0823; E04F 10/02;

(Continued)

(56) **References Cited**

U.S. PATENT DOCUMENTS

451,596 A 5/1891 Longenecker
490,122 A 1/1893 Magargal

(Continued)

FOREIGN PATENT DOCUMENTS

CA 3007687 A1 12/2018
EP 2492408 A1 8/2012

(Continued)

OTHER PUBLICATIONS

Toja Grid Quad 30 + Solo for 4 x 4 Wood Posts 2 Pack <https://tojagrid.com/collections/brackets/products/quad-30-solo-for-4x4-wood-posts-2-pack> Date Unknown.*

(Continued)

Primary Examiner — Samantha Q Lawrence

(74) *Attorney, Agent, or Firm* — Bhole IP Law; Anil Bhole; Marc Lampert

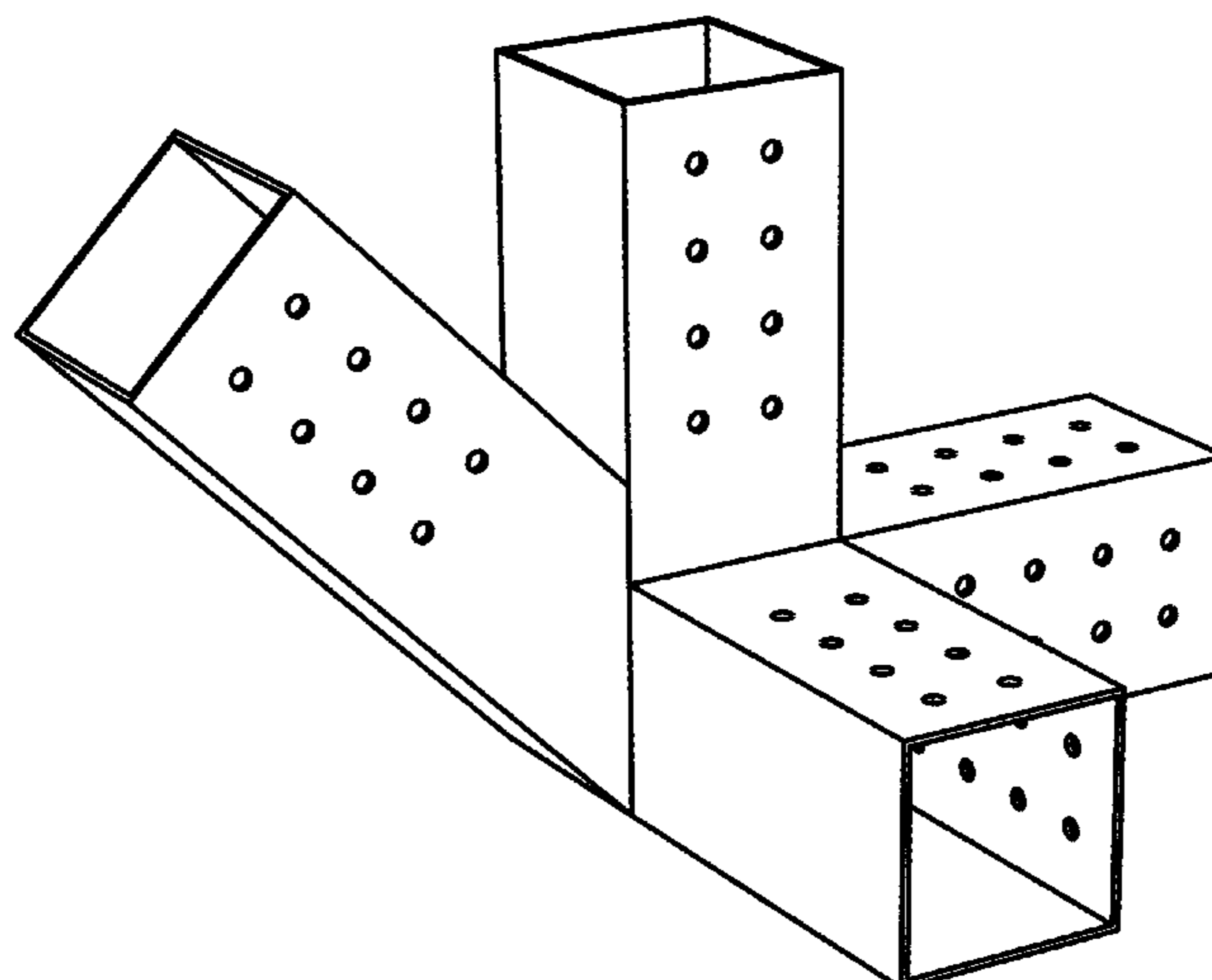
(57) **CLAIM**

The ornamental design for a connector for a modular structure, substantially as shown and described.

DESCRIPTION

FIG. 1 is a front perspective view of the connector for a modular structure;
FIG. 2 is a plan view of the connector for a modular structure of FIG. 1;
FIG. 3 is a bottom view of the connector for a modular structure of FIG. 1;
FIG. 4 is a front view of the connector for a modular structure of FIG. 1;
FIG. 5 is a back view of the connector for a modular structure of FIG. 1;
FIG. 6 is a side elevation of the connector for a modular structure of FIG. 1;
FIG. 7 is a side elevation from the opposite side to FIG. 6 of the connector for a modular structure of FIG. 1; and,
FIG. 8 is a rear perspective of the connector for a modular structure of FIG. 1.

1 Claim, 8 Drawing Sheets



US D939,731 S

(58) **Field of Classification Search**
 CPC E04G 21/185; E04G 7/02; E04G 7/22;
 E04H 12/187; E04H 12/2253; F16B
 12/40; A45F 3/24; F16M 11/24
 See application file for complete search history.

(56) **References Cited**

U.S. PATENT DOCUMENTS

922,215 A 5/1909 Tuteur
 949,394 A 2/1910 Daly
 1,097,934 A 5/1914 Price
 1,201,159 A 10/1916 Dettmer
 1,214,738 A 2/1917 Wolf
 1,441,559 A 1/1923 Jacob
 1,816,049 A 7/1931 Larner
 1,818,418 A 8/1931 Millard
 1,848,085 A 3/1932 Eisenschmidt
 2,016,702 A 10/1935 Harry
 2,037,736 A 4/1936 Payne et al.
 2,153,547 A 4/1939 Charlop
 2,224,499 A 12/1940 Zillig
 D141,423 S 5/1945 Lewis
 2,477,163 A 7/1949 Barnett
 D178,316 S 7/1956 Vegors
 2,869,693 A 1/1959 Wood
 2,931,129 A 4/1960 Boniface
 3,188,696 A 6/1965 Earhart
 3,229,004 A 1/1966 Lewine
 3,252,287 A 5/1966 Suzuki
 3,278,149 A 10/1966 Brucker
 3,294,298 A 12/1966 Danielson
 3,310,324 A 3/1967 Boden
 3,352,491 A 11/1967 Nelson
 3,369,333 A 2/1968 Wheeler
 3,462,021 A 8/1969 Hawke
 3,537,221 A 11/1970 Helfman et al.
 3,545,796 A * 12/1970 William A47B 47/0008
 403/187
 3,615,110 A 10/1971 Fugate
 3,645,569 A 2/1972 Reilly
 3,740,084 A 6/1973 Tellberg
 D232,201 S 7/1974 Hoffman
 3,829,999 A 8/1974 Bernstein
 3,907,445 A 9/1975 Wendt
 3,945,741 A 3/1976 Wendt
 3,989,398 A 11/1976 Wendt
 D245,649 S 9/1977 Hughes
 4,046,186 A 9/1977 Nordstrom
 4,046,295 A 9/1977 Eichler
 4,076,431 A 2/1978 Burvall
 D250,240 S 11/1978 Braginetz
 D250,241 S 11/1978 Braginetz
 4,125,973 A 11/1978 Lendrihas
 4,125,984 A 11/1978 Jonas
 4,133,151 A 1/1979 Burvall
 D251,018 S 2/1979 Lockwood
 D258,194 S 2/1981 Stanley
 4,313,688 A 2/1982 Daniels
 D264,481 S 5/1982 Russo
 4,381,629 A 5/1983 Ahn
 4,422,792 A 12/1983 Gilb
 4,429,730 A 2/1984 Elston
 D275,264 S 8/1984 Wegener
 D277,819 S 3/1985 Crosslen
 D280,466 S 9/1985 Seltzer et al.
 4,572,695 A 2/1986 Gilb
 4,594,017 A 6/1986 Hills
 4,616,950 A 10/1986 Morris
 4,630,550 A 12/1986 Weitzman
 D289,605 S 5/1987 Lytle
 4,665,672 A 5/1987 Commins et al.
 4,717,279 A 1/1988 Commins
 D294,805 S 3/1988 Boyer
 4,801,121 A 1/1989 Zunker
 4,856,252 A 8/1989 Cornell
 4,885,883 A 12/1989 Wright

4,910,939 A 3/1990 Cavanagh
 4,919,394 A 4/1990 Otte et al.
 4,925,141 A 5/1990 Classen
 D310,760 S 9/1990 Murphy
 4,991,726 A 2/1991 Johnson
 D318,569 S 7/1991 Schaefer
 5,033,901 A 7/1991 Dias
 5,104,252 A 4/1992 Colonias et al.
 5,150,982 A 9/1992 Gilb
 5,186,571 A 2/1993 Hentzschel
 5,192,056 A 3/1993 Espinueva
 5,238,321 A 8/1993 Jarjoura
 5,259,685 A 11/1993 Gilb
 D342,328 S * 12/1993 Granstrom D25/126
 D342,662 S 12/1993 Lavin et al.
 5,284,311 A 2/1994 Baer
 5,375,384 A 12/1994 Wolfson
 D355,349 S 2/1995 Taparauskas
 D356,646 S 3/1995 Cole
 RE34,892 E 4/1995 Dunwoodie
 D361,462 S 8/1995 Newham
 D365,714 S 1/1996 Masello
 5,490,523 A 2/1996 Mallookis
 D370,681 S 6/1996 Diamond
 5,555,681 A 9/1996 Cawthorn
 5,556,218 A 9/1996 Homer
 D374,937 S 10/1996 Salas
 5,590,974 A * 1/1997 Yang A47B 47/005
 403/171
 D398,219 S 9/1998 Campman
 5,941,183 A 8/1999 Ming-Shun
 5,941,527 A 8/1999 Selton
 D426,041 S 5/2000 Boghossian
 D427,810 S 7/2000 Ali et al.
 6,092,342 A 7/2000 Sharapata
 6,109,461 A 8/2000 Kluge et al.
 D430,789 S 9/2000 Opperman
 D434,880 S 12/2000 McNary et al.
 D439,246 S 3/2001 Hansen
 D442,236 S 5/2001 Chang
 6,230,466 B1 5/2001 Pryor
 6,247,869 B1 * 6/2001 Lichvar F16L 47/00
 285/179.1
 D444,816 S 7/2001 Stravitz
 6,336,620 B1 1/2002 Belli
 6,354,451 B1 3/2002 Holst
 D455,643 S 4/2002 Aubin
 6,463,711 B1 10/2002 Callies
 D465,646 S 11/2002 Hendrickson
 6,536,179 B2 3/2003 Little
 6,636,620 B1 10/2003 Hoshino
 D492,040 S 6/2004 Kozak
 6,745,521 B1 6/2004 Klemming
 6,751,921 B1 6/2004 Iwakawa
 D493,091 S 7/2004 Griggy
 D508,572 S 8/2005 Suggate
 6,969,211 B2 11/2005 Altman
 7,014,383 B2 3/2006 Schmid et al.
 7,231,954 B2 6/2007 Green
 D547,863 S 7/2007 Heinsch
 D548,064 S 8/2007 Norton
 7,264,416 B2 9/2007 Kahl
 D558,041 S 12/2007 Skinner
 7,464,513 B2 12/2008 Rioux
 D598,734 S 8/2009 Miranda et al.
 7,600,348 B1 10/2009 Kostka
 D610,717 S 2/2010 Lin
 D619,879 S 7/2010 McCarthy et al.
 7,762,042 B2 7/2010 Packard
 D622,864 S * 8/2010 Bajrami D25/35
 D650,987 S 12/2011 Rothbauer
 D658,491 S 5/2012 Raber
 D665,656 S 8/2012 Anzelmo
 8,234,826 B1 8/2012 Proffitt
 D673,306 S 12/2012 Min-Ju
 8,429,857 B2 4/2013 Melose
 D689,045 S 9/2013 Mardas
 D689,207 S 9/2013 Benet
 8,572,905 B1 11/2013 Driggers

(56)

References Cited

U.S. PATENT DOCUMENTS

D701,108 S 3/2014 Rodgers
 8,689,494 B2 4/2014 Leavitt
 8,720,129 B2 5/2014 Sias et al.
 8,739,476 B1 6/2014 Royer
 8,769,887 B2 7/2014 Proffitt
 8,870,163 B2 10/2014 Regan
 8,925,893 B2 1/2015 Biedenweg et al.
 D726,342 S 4/2015 Rodriguez
 D727,143 S 4/2015 Gomez
 9,091,037 B2 7/2015 Fairbairn
 9,102,092 B2 8/2015 Mukith et al.
 D737,670 S 9/2015 Beyerle et al.
 9,144,291 B2 9/2015 Huang
 D744,319 S 12/2015 White
 9,228,338 B2 1/2016 Lin
 D749,597 S 2/2016 Wengreen
 9,388,540 B2 7/2016 Koering
 D768,466 S 10/2016 Simmons et al.
 D769,470 S 10/2016 Criscione et al.
 D775,512 S 1/2017 White
 D776,965 S 1/2017 Anderson
 D783,390 S 4/2017 Nelson
 9,631,770 B2 4/2017 Holestine
 D805,218 S 12/2017 Malone
 9,856,640 B2 1/2018 Shuhaibar
 D820,359 S 6/2018 Deemer
 D822,454 S 7/2018 Kanter
 D824,399 S 7/2018 Wengreen
 10,024,046 B2 7/2018 Higginbotham
 10,030,408 B2 7/2018 Crandall et al.
 D825,967 S 8/2018 Tolokan et al.
 D826,695 S 8/2018 Bolster
 D827,414 S * 9/2018 Macdonald D8/349
 D832,858 S 11/2018 Wengreen
 D834,396 S 11/2018 MacDonald
 D835,973 S 12/2018 Bertato
 10,202,766 B1 2/2019 Fox
 D842,684 S 3/2019 House
 D843,823 S 3/2019 Bouchard
 D843,932 S 3/2019 Sinai et al.
 D845,113 S 4/2019 Salter
 D845,116 S 4/2019 Wokutch
 D845,310 S 4/2019 Wengreen
 D845,959 S 4/2019 Wengreen
 D846,369 S 4/2019 Ni
 D846,370 S 4/2019 Ni
 D852,788 S 7/2019 Kanter
 D854,191 S 7/2019 Sorensen
 D854,710 S 7/2019 Hendry
 D856,282 S 8/2019 Pillsbury
 D856,781 S 8/2019 Hendry et al.
 D859,958 S 9/2019 Ni
 10,422,140 B2 9/2019 Mitchell
 D866,465 S 11/2019 Harrison
 10,480,177 B2 11/2019 Siddhartha et al.
 D870,544 S 12/2019 Lai et al.
 10,518,596 B2 12/2019 Aitoh et al.
 10,597,899 B2 3/2020 Crandall et al.
 D887,025 S * 6/2020 Styrc D25/133
 10,697,198 B2 6/2020 Crandall et al.
 10,760,298 B2 9/2020 Crandall et al.
 D900,199 S 10/2020 Rogers
 D901,929 S 11/2020 Mccune et al.
 D905,067 S 12/2020 Wengreen
 D905,068 S 12/2020 Wengreen
 D905,069 S 12/2020 Wengreen
 D912,496 S 3/2021 Fox
 D915,186 S 4/2021 Barker
 10,975,584 B2 4/2021 Brownmiller et al.
 D918,010 S 5/2021 Lynn et al.
 D920,728 S 6/2021 Scott
 D929,611 S 8/2021 Styrc et al.
 11,098,476 B2 8/2021 Jin et al.
 2003/0101677 A1 6/2003 Hewett
 2004/0170471 A1 9/2004 Wadsworth et al.

2004/0182430 A1 9/2004 Seo
 2005/0098772 A1 5/2005 Fuoco
 2006/0029462 A1 2/2006 Patberg
 2006/0185706 A1 8/2006 Slade
 2006/0193687 A1 8/2006 Ghosh
 2006/0260259 A1 11/2006 Morse
 2007/0209312 A1 9/2007 Keys et al.
 2007/0209314 A1 9/2007 Vaughn
 2007/0261356 A1 11/2007 Vaughn
 2007/0266647 A1 11/2007 Pedersen et al.
 2008/0110583 A1 5/2008 Lallemand
 2008/0178551 A1 7/2008 Porter
 2008/0229678 A1 9/2008 Goddard
 2011/0179741 A1 7/2011 Yen
 2011/0258941 A1 10/2011 Dalo
 2011/0308063 A1* 12/2011 Feeleus E04B 1/26
 29/525.01
 2013/0036702 A1 2/2013 Paceti et al.
 2013/0108394 A1 5/2013 Zhu
 2013/0232758 A1 8/2013 Pond
 2013/0247499 A1 9/2013 Zimmerman et al.
 2013/0276382 A1 10/2013 Workman
 2013/0306808 A1 11/2013 Huang
 2014/0082921 A1 3/2014 Adams
 2015/0152630 A1 6/2015 Winter
 2015/0328977 A1 11/2015 Lueschen et al.
 2016/0168840 A1 6/2016 Monty et al.
 2017/0089059 A1 3/2017 Farre Berga
 2017/0233996 A1 8/2017 Abernathy et al.
 2017/0314254 A1 11/2017 Houghton et al.
 2018/0135295 A1 5/2018 Bowron
 2018/0135296 A1 5/2018 Brekke
 2018/0230664 A1 8/2018 Dominguez
 2018/0238041 A1 8/2018 Styrc
 2019/0078313 A1 3/2019 Morgan
 2019/0226201 A1 7/2019 Nguyen
 2019/0271146 A1 9/2019 Fox
 2019/0277022 A1 9/2019 Francis
 2020/0375366 A1 12/2020 Chen

FOREIGN PATENT DOCUMENTS

EP 3456990 A1 3/2019
 FR 2300863 A1 9/1976
 FR 2579720 A1 10/1986
 FR 2991304 A1 12/2013
 GB 422765 A 1/1935
 GB 910183 A 11/1962
 GN 201542095 U 8/2010
 JP S48-032321 4/1973
 JP S48-32322 4/1973
 JP S5217102 U 2/1977
 JP S58-061816 4/1983
 JP 1997268655 10/1997
 RU 73909 U1 6/2008
 WO 201656696 A1 4/2016
 WO 2016178637 A1 11/2016
 WO 2019048362 3/2019
 WO 2021094982 5/2021

OTHER PUBLICATIONS

Extended European Search Report for 18757067.6, European Patent Office, dated Jul. 23, 2020.
 "International Search Report of the International Searching Authority for PCT/CA2018/050169", Canadian Intellectual Property Office, Lily Truong, Canada, Jun. 21, 2018.
 Notice of Allowance for U.S. Appl. No. 29/635,278, United States Patent & Trademark Office, dated May 7, 2020.
 Notice of References Cited for U.S. Appl. No. 29/635,278, United States Patent & Trademark Office, dated May 7, 2020.
 "Office action for U.S. Appl. No. 15/815,973", United States Patent & Trademark Office, dated Mar. 19, 2019.
 Office action for U.S. Appl. No. 15/815,973, United States Patent & Trademark Office, dated Aug. 15, 2018.
 "Office action for U.S. Appl. No. 16/485,272", United States Patent & Trademark Office, dated Dec. 19, 2019.

(56)

References Cited

OTHER PUBLICATIONS

“Office action for U.S. Appl. No. 29/635,278”, United States Patent & Trademark Office, dated Sep. 17, 2019.

Office Action for U.S. Appl. No. 29/635,278, United States Patent & Trademark Office, dated Feb. 14, 2020.

“Office Action for United States U.S. Appl. No. 15/815,973”, United States Patent and Trademark Office, FORD, Gisele D., dated Nov. 17, 2017.

Pergola CUBIC 3-way corner bracket for 7x7 cm post-beam <https://www.vinuovo.com/en/ pergola-cubic-way-corner-Bracket-for-7x7-94058077.html#reviews> Aug. 1, 2019 (Year: 2019).

Toja Grid TRIO 2 Pack for 6x6 Wood G0210360-2 <https://www.patioproductions.com/toja-grid-trio-2-pack-for-6x6-wood-g0210360-2.html> Date Unknown.

Written Opinion for PCT/CA2018/050169, Canadian Intellectual Property Office, dated Jun. 21, 2018.

“Office Action for JP 2021-002873”.

“Office Action for JP 2021-002874”.

“Office Action for JP 2021-002875”.

“Office Action for JP 2021-002876”.

“Office Action for JP 2021-002877”.

“Office Action for JP 2021-002878”.

“Russian Patent Office, Office Action of Jul. 6, 2021 for application No. 2019128908”.

Li, Hui, “First Notification of Office Action”, CN patent application 201880024165.9.

* cited by examiner

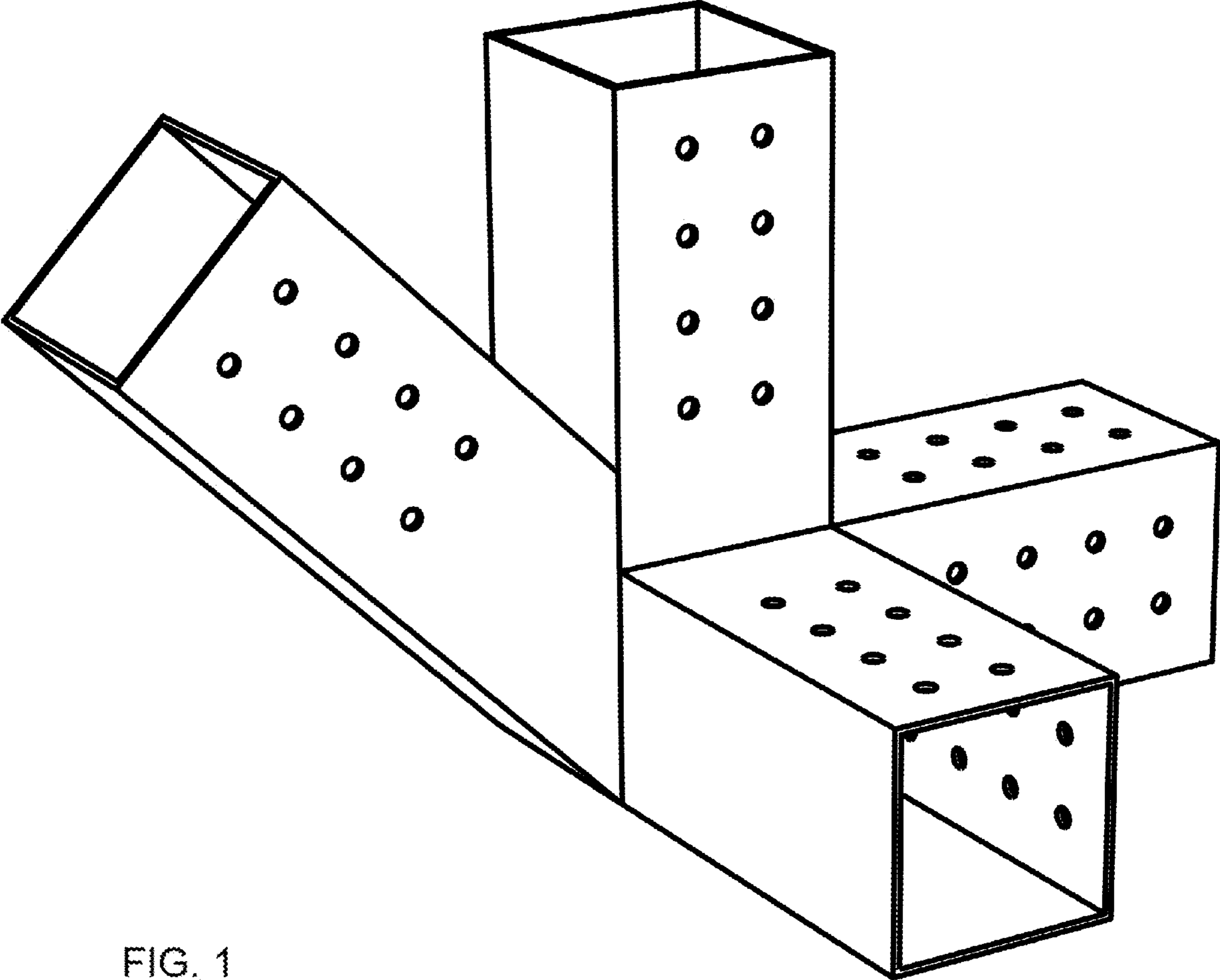


FIG. 1

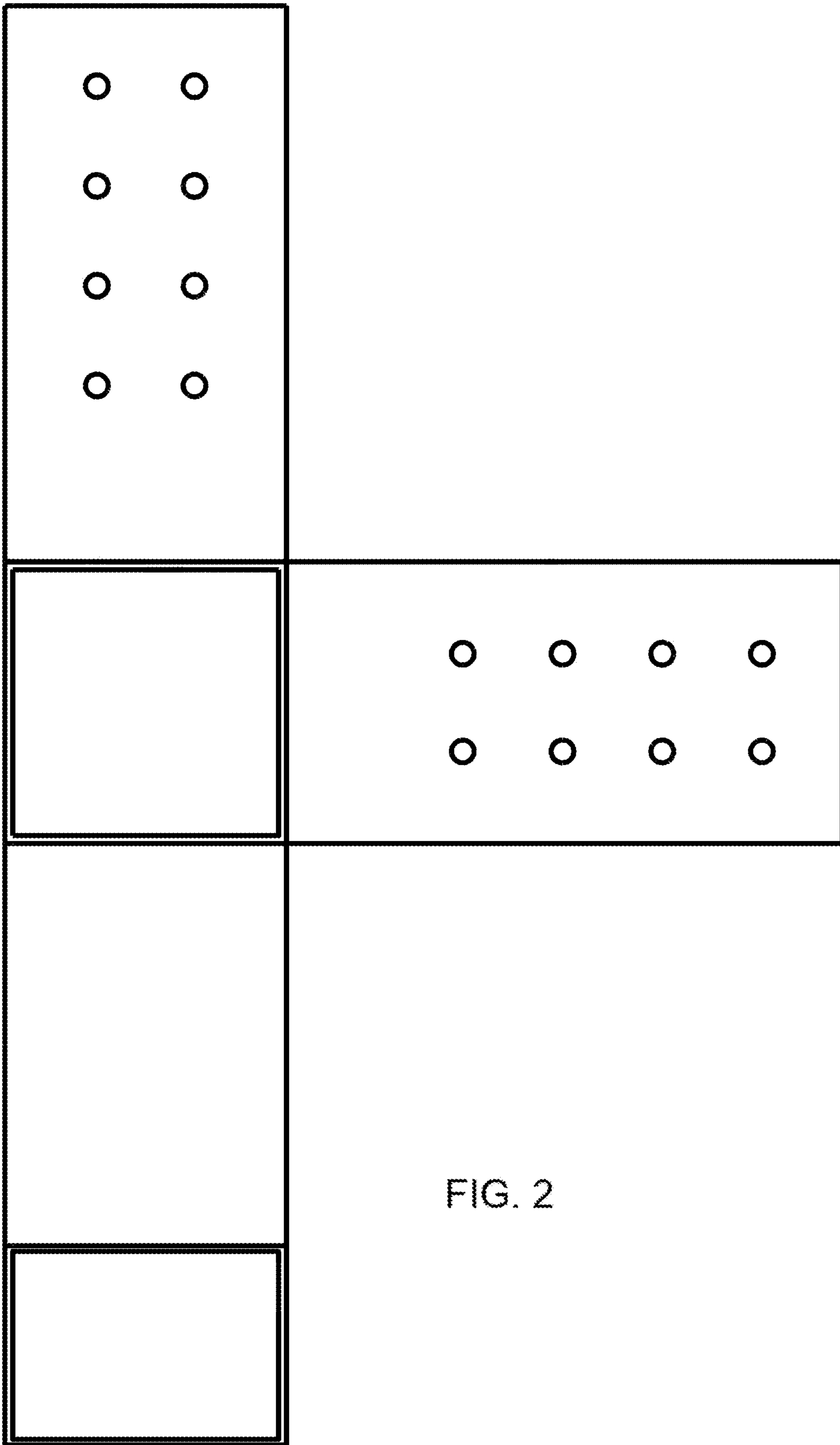


FIG. 2

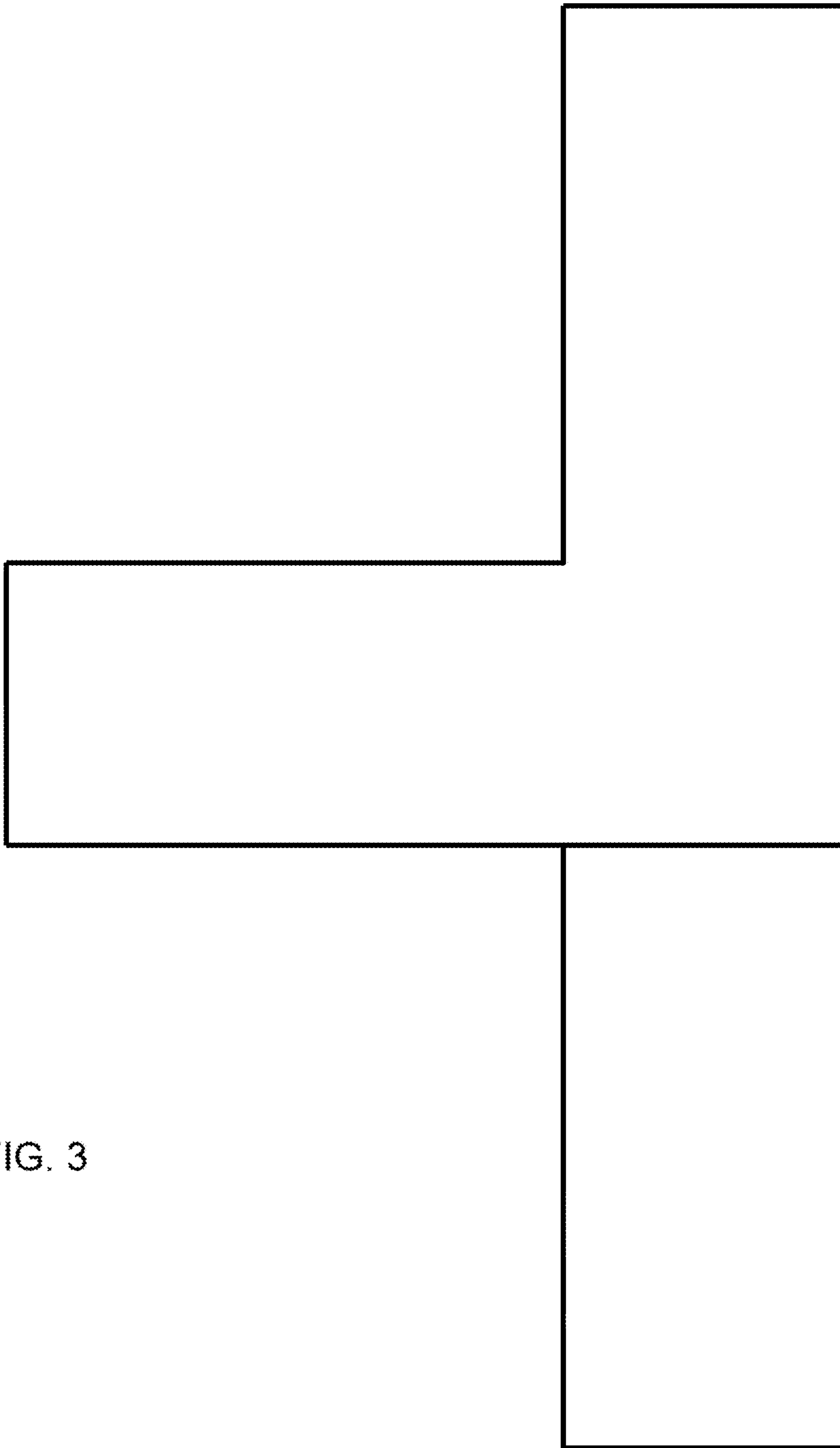


FIG. 3

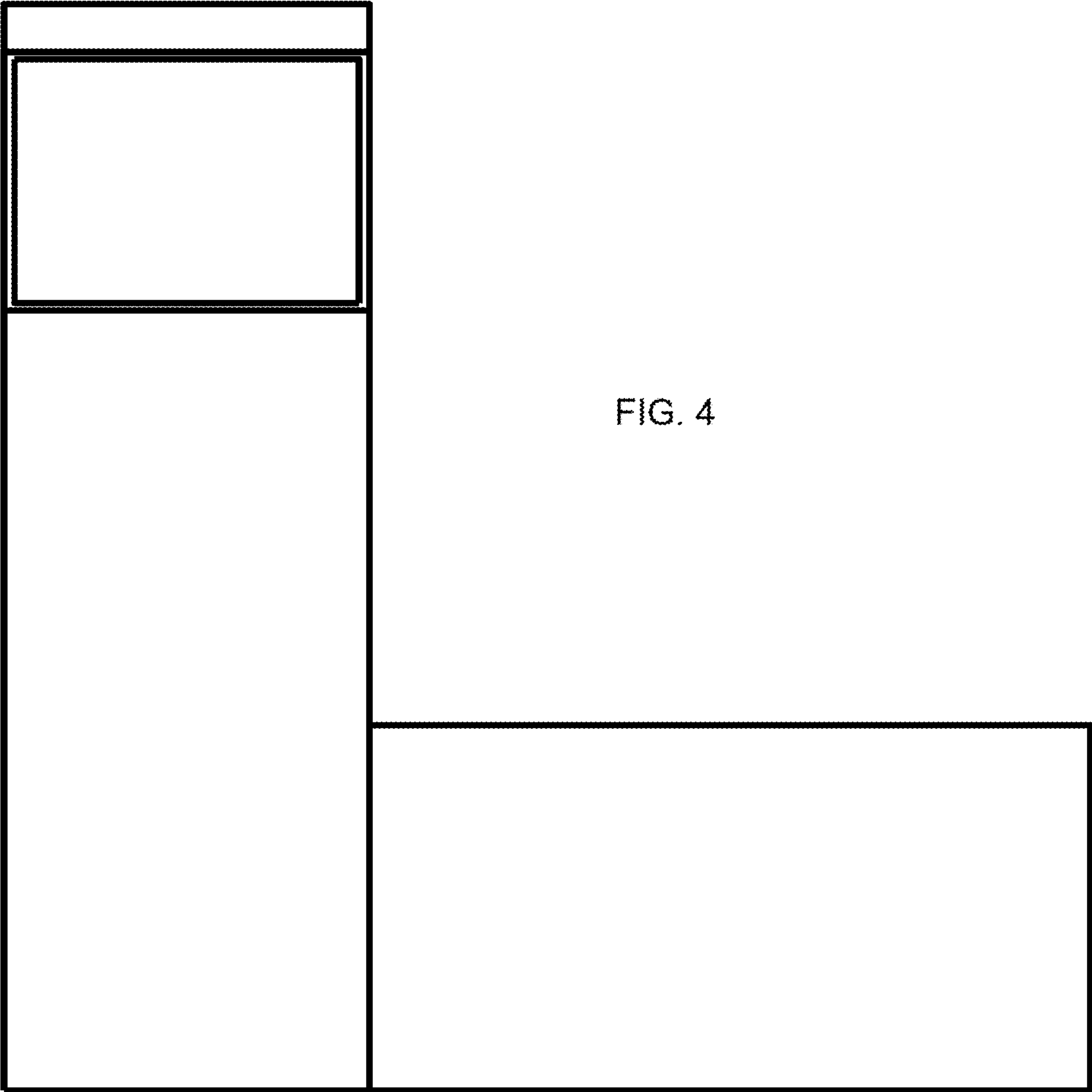
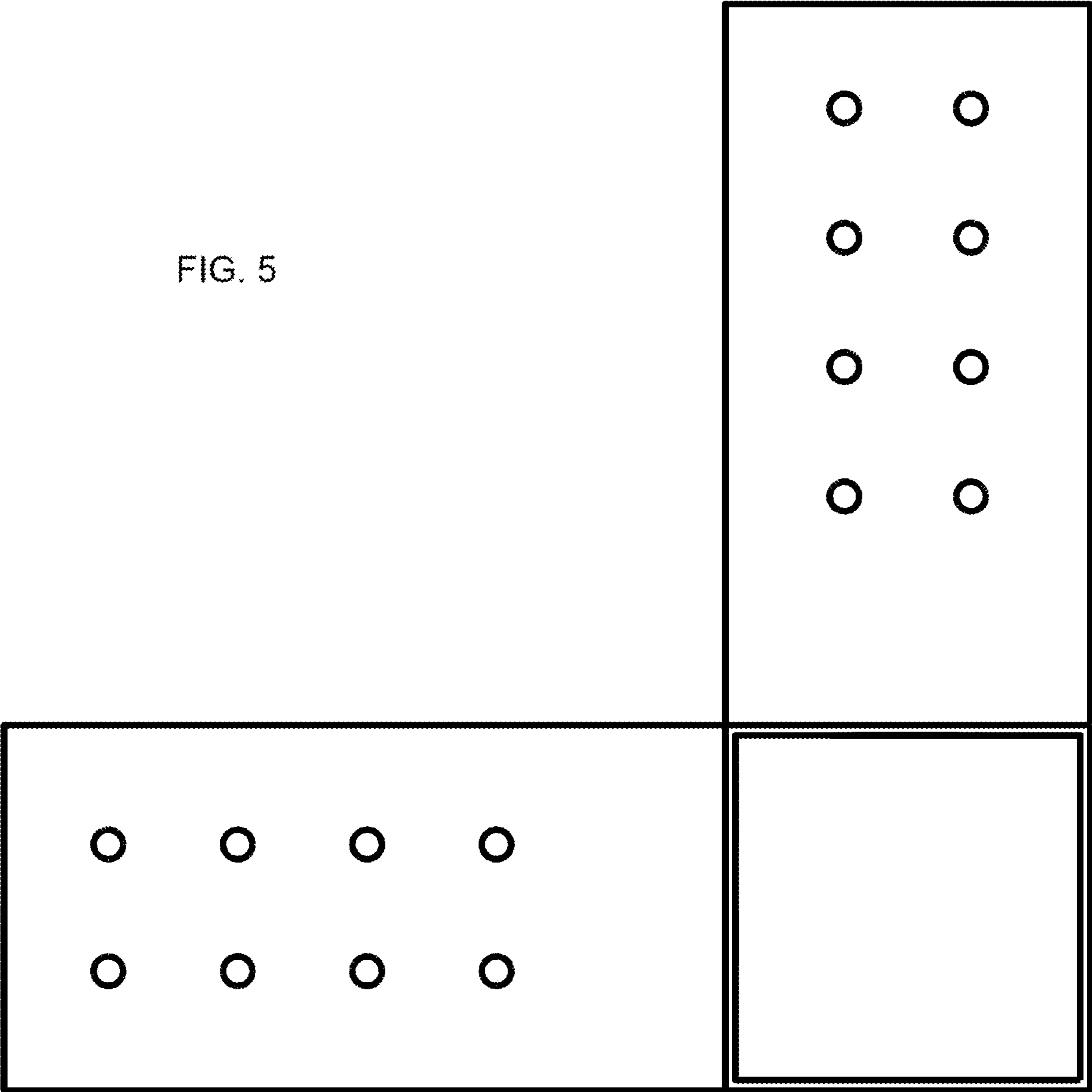


FIG. 5



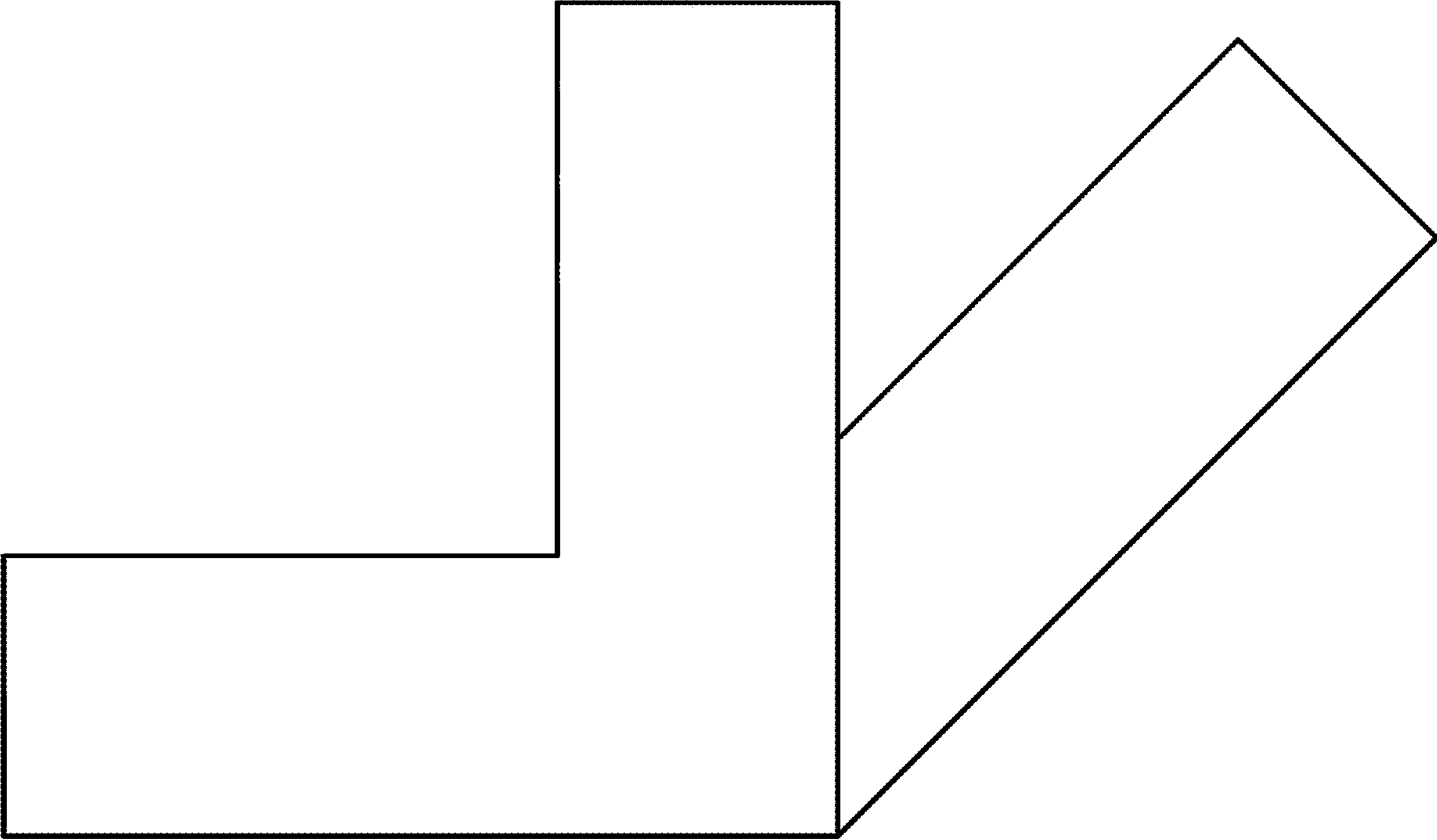


FIG. 6

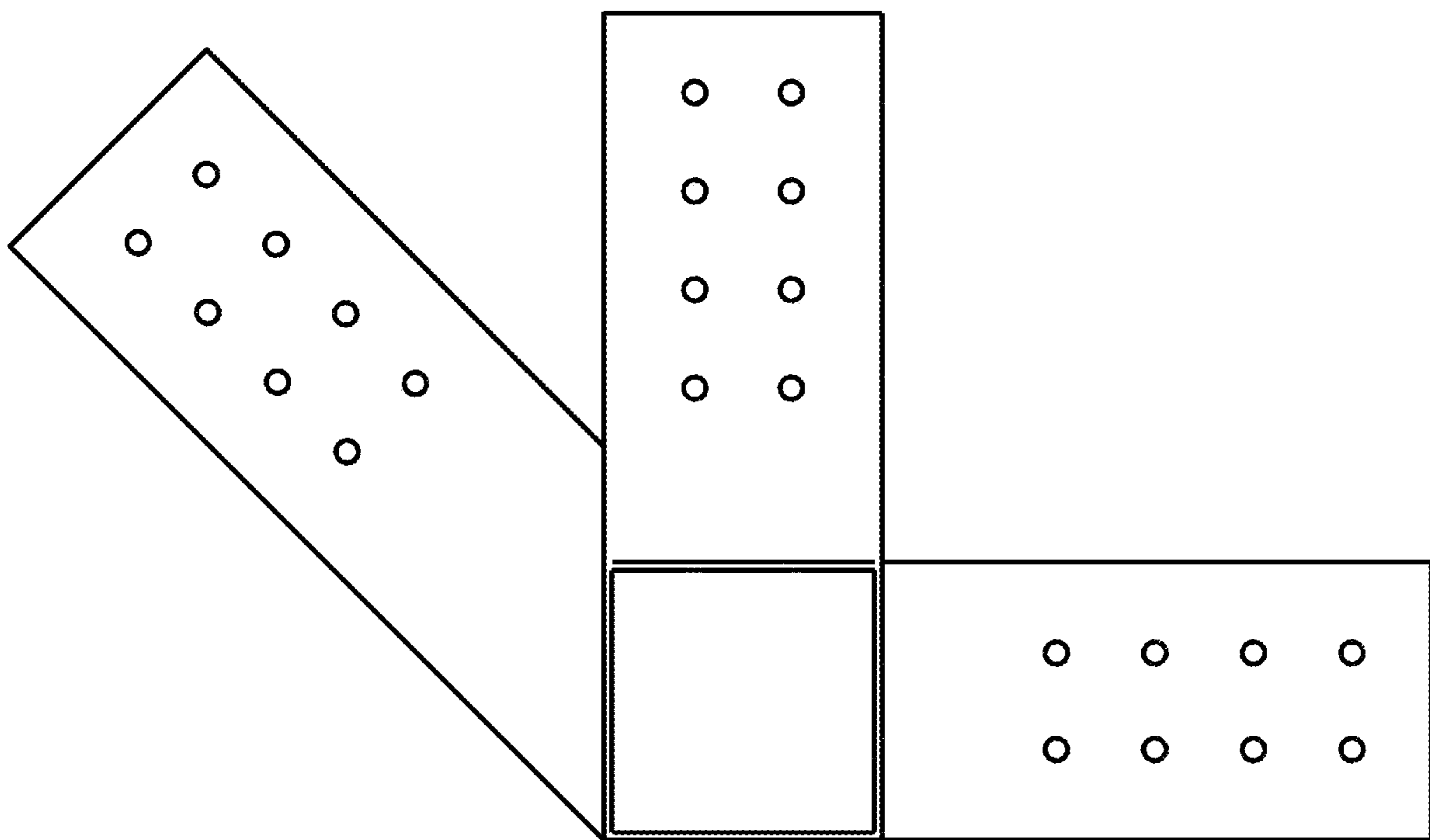


FIG. 7

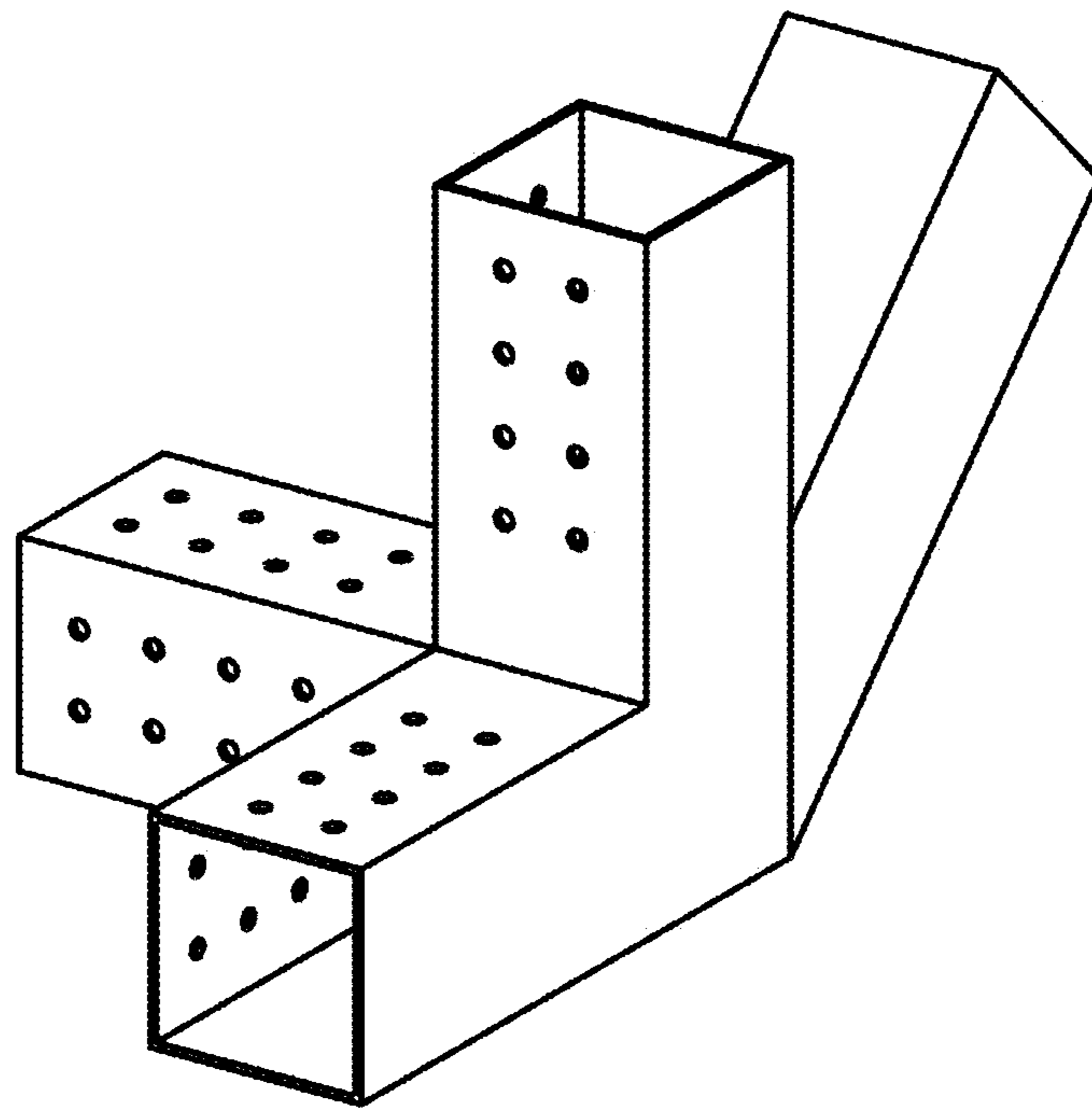


FIG. 8